



US00D413958S

United States Patent [19]
Khnosnood

[11] **Patent Number: Des. 413,958**

[45] **Date of Patent: ** Sep. 14, 1999**

[54] **ARCHERY SIGHT**

[76] Inventor: **Bahram Khnosnood**, 310 Industrial Pkwy., Dunlap, Tenn. 37327

[**] Term: **14 Years**

[21] Appl. No.: **29/087,202**

[22] Filed: **Apr. 28, 1998**

[51] **LOC (6) Cl.** **22-01**

[52] **U.S. Cl.** **D22/107; D22/100; D22/199**

[58] **Field of Search** **D22/100, 107, D22/199; 33/248, 265; 124/86, 88**

[56] **References Cited**

U.S. PATENT DOCUMENTS

D. 374,473	10/1996	Morrell	D22/107
3,945,127	3/1976	Spencer	33/265
4,910,874	3/1990	Busch	33/265
5,072,716	12/1991	Sappington	33/265

5,560,113	10/1996	Simo et al.	33/265
5,685,081	11/1997	Winegar	33/265

Primary Examiner—Louis S. Zarfaz
Assistant Examiner—Monica A. Weingart
Attorney, Agent, or Firm—M. K. Silverman

[57] **CLAIM**

The ornamental design for an archery sight, as shown and described.

DESCRIPTION

FIG. 1 is a rear diagonal perspective view of my archery sight.

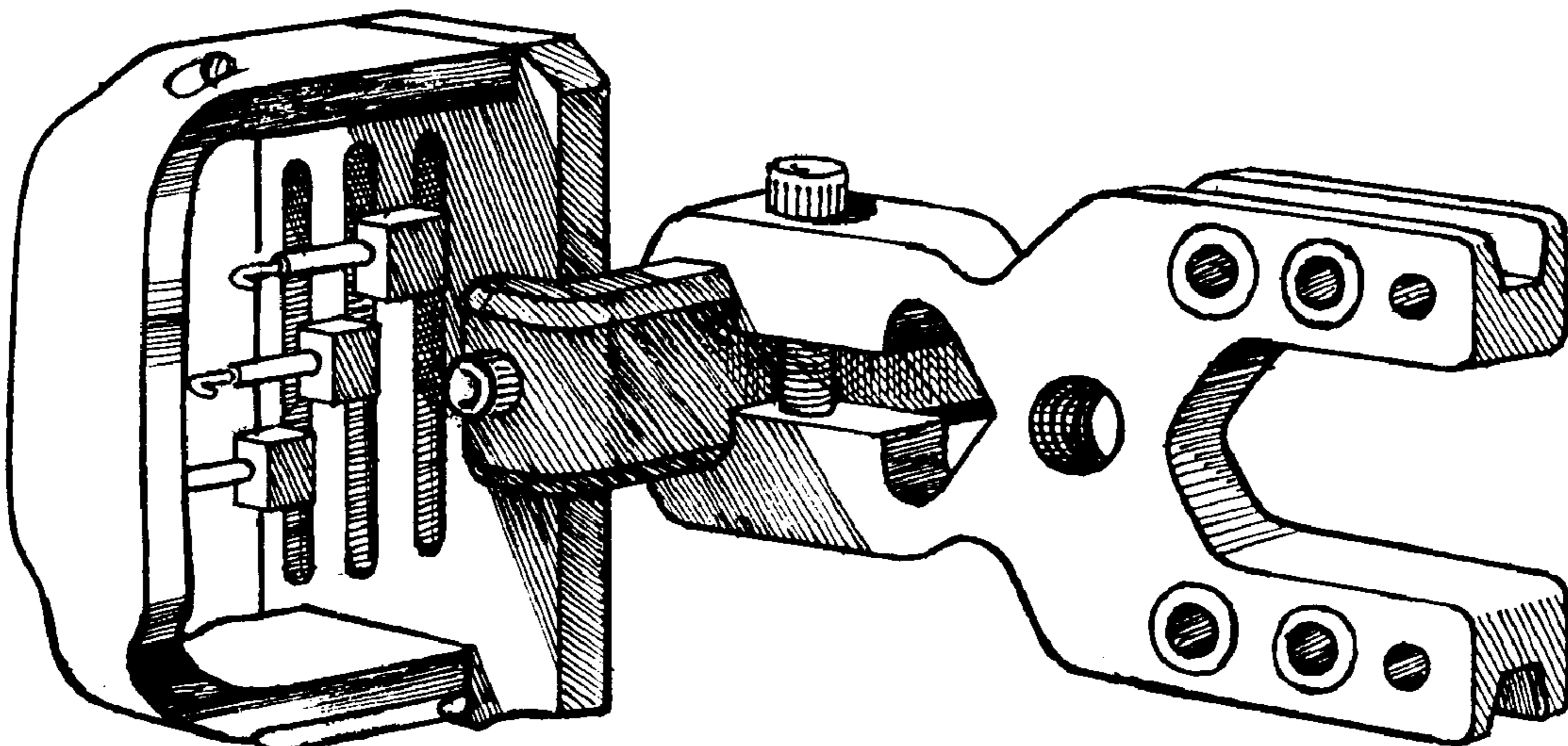
FIG. 2 is a top view thereof.

FIG. 3 is a front diagonal perspective view of the archery sight.

FIG. 4 is a right side view thereof; and,

FIG. 5 is a front view of the archery sight.

1 Claim, 3 Drawing Sheets



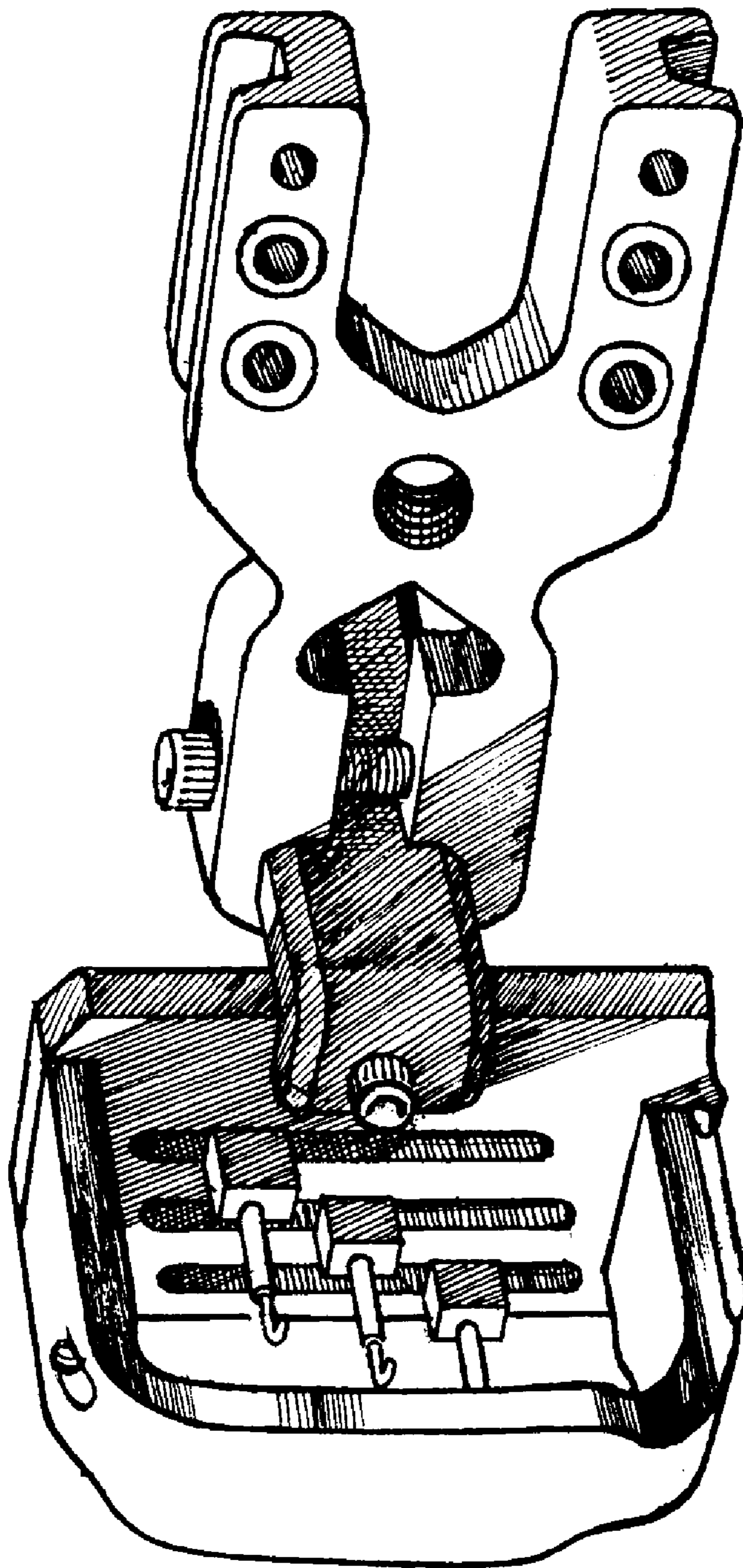


FIG. 1

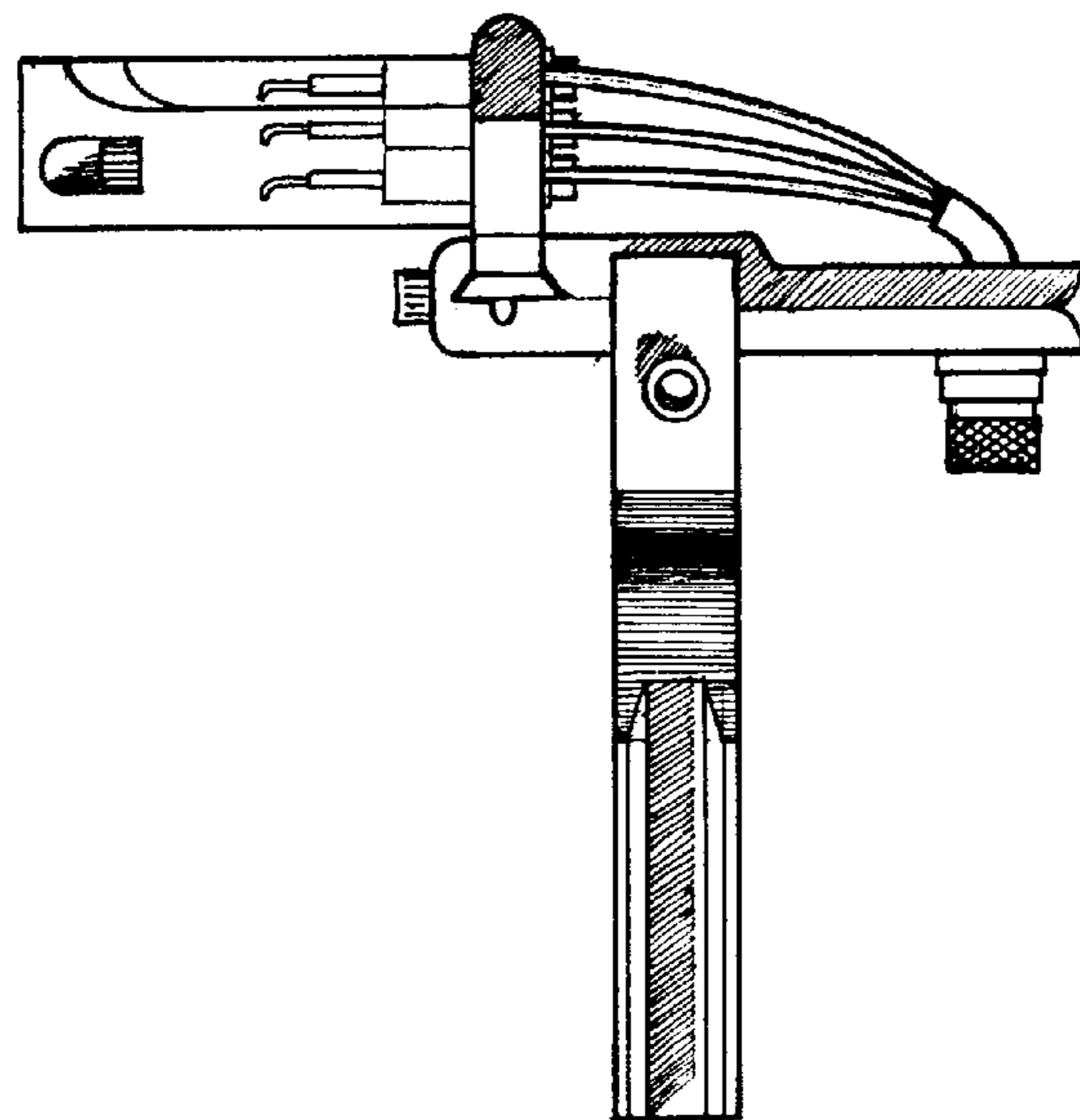


FIG. 2

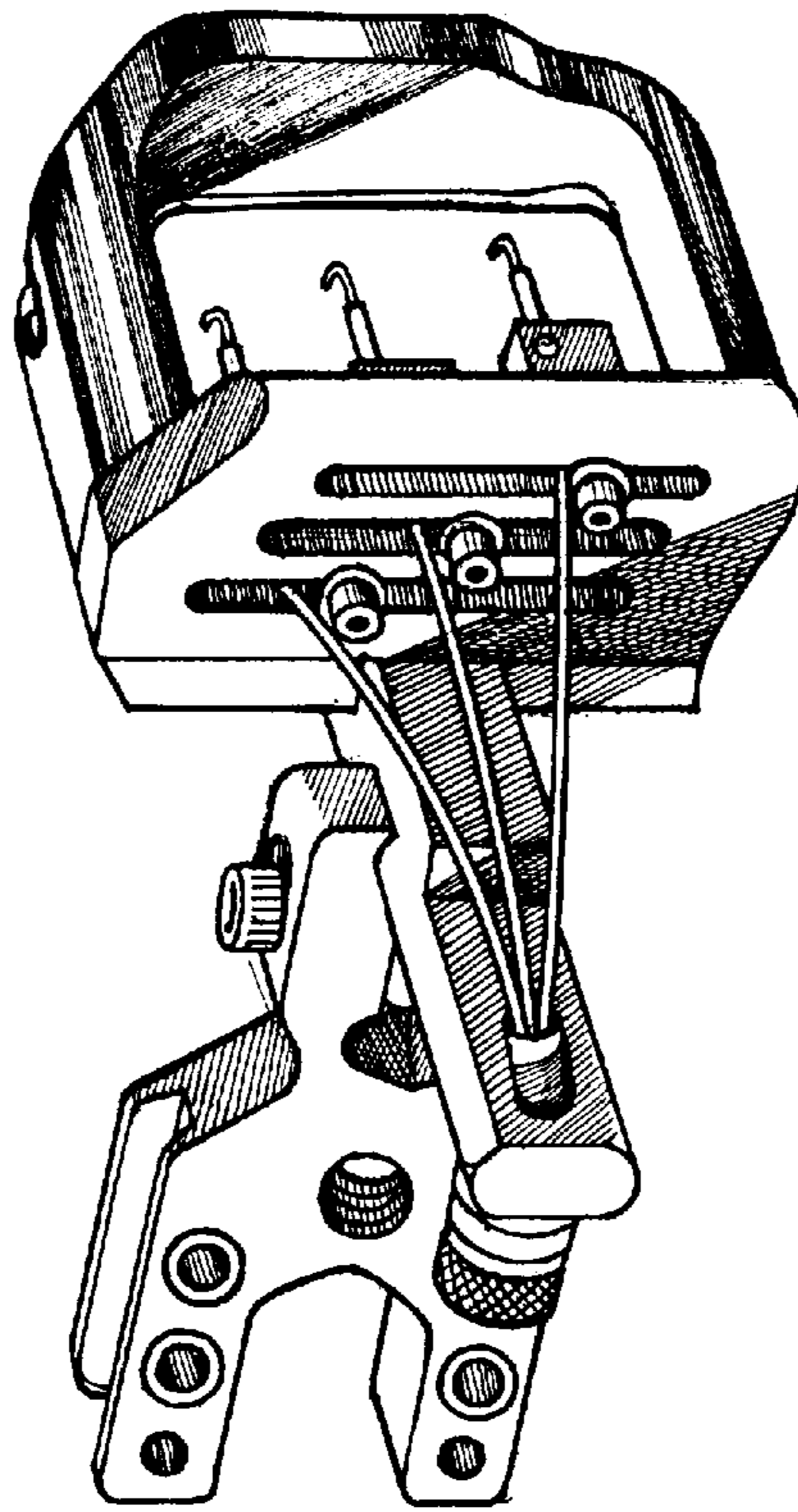


FIG. 3

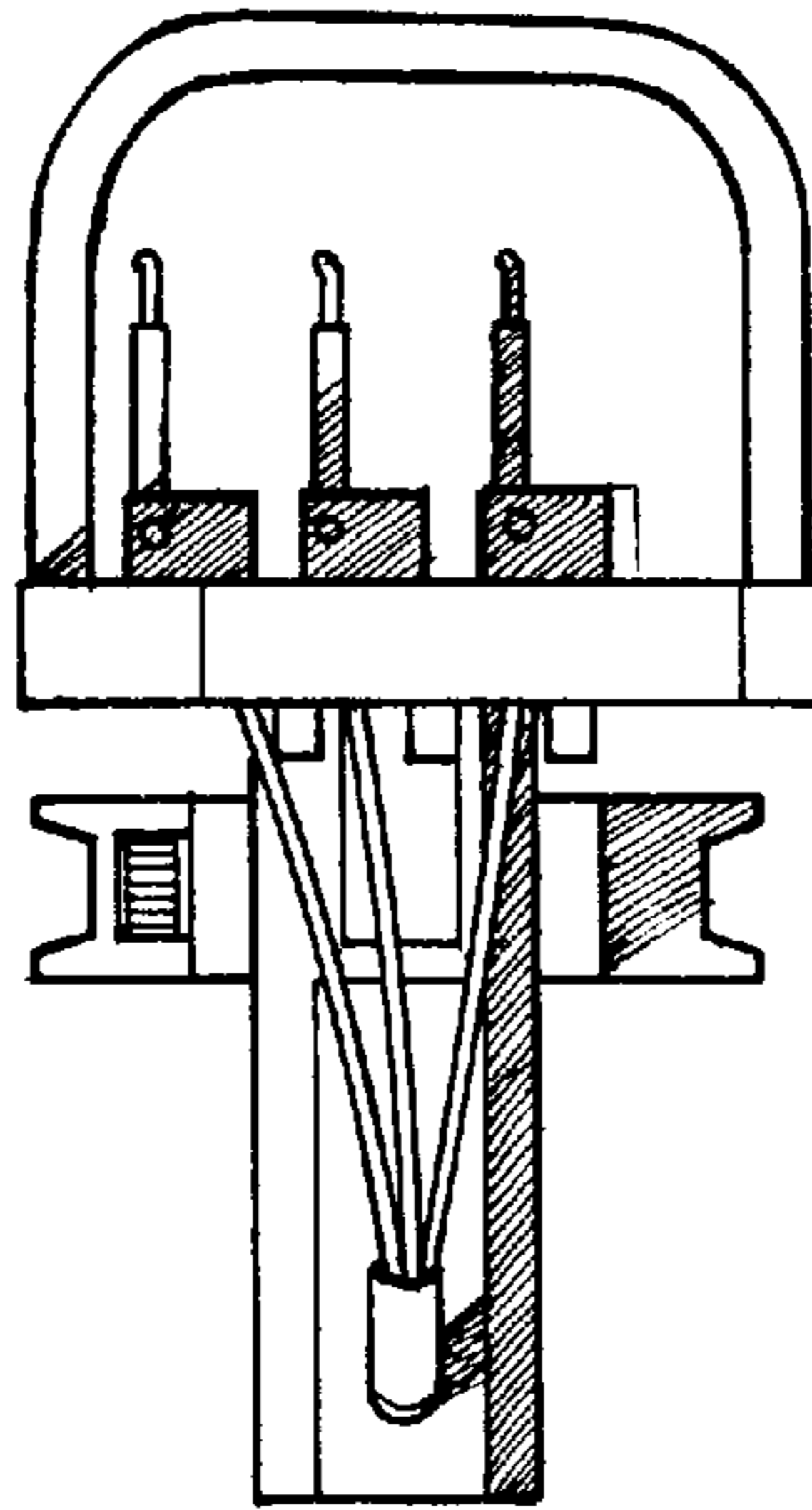


FIG. 5

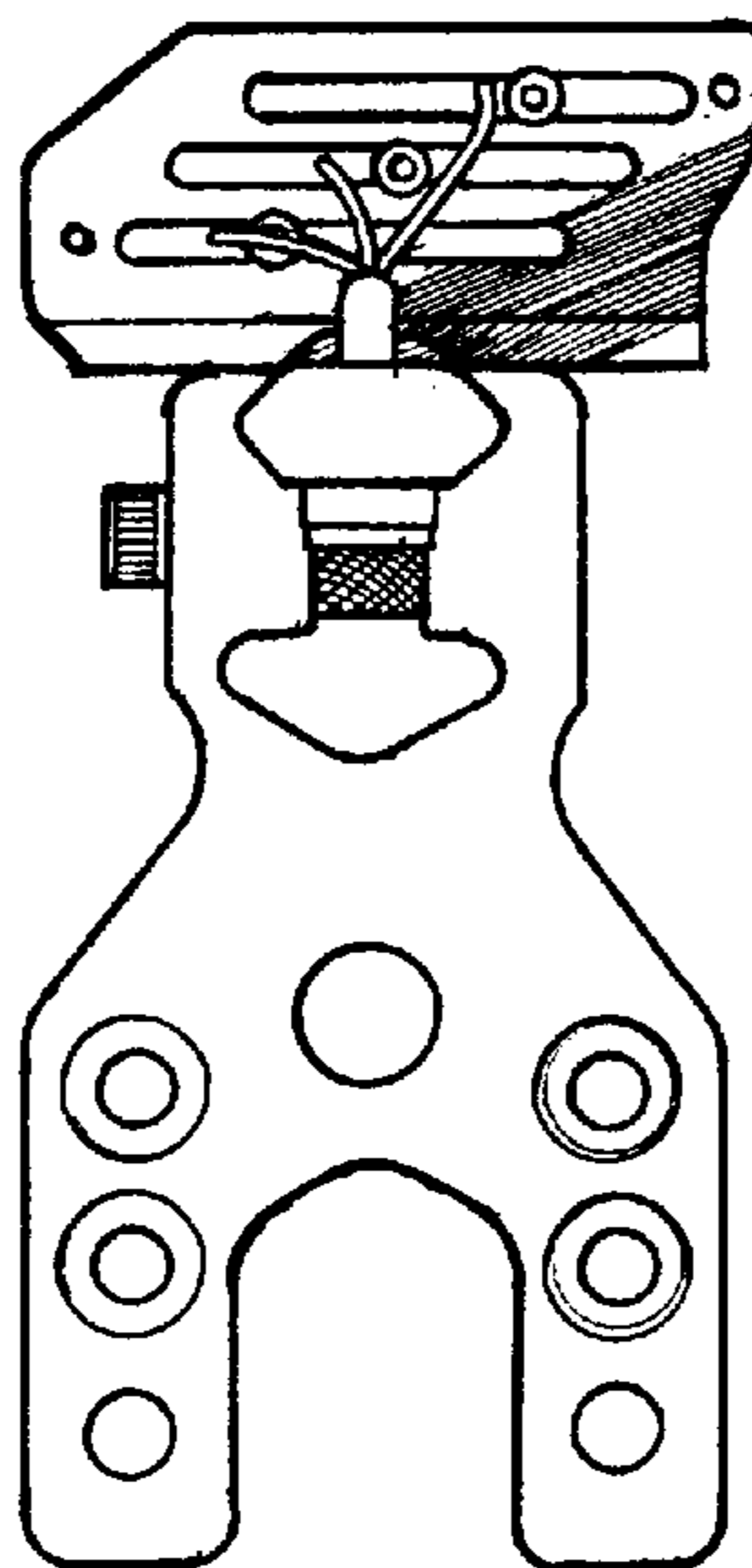


FIG. 4