



US00D413957S

United States Patent [19] Briggs

[11] Patent Number: **Des. 413,957**

[45] Date of Patent: **** Sep. 14, 1999**

[54] **TARGET ARENA PLAY STRUCTURE**

[76] Inventor: **Rick A. Briggs**, Sixty-Four Maple Grove, Springfield, Ill. 62707

[**] Term: **14 Years**

[21] Appl. No.: **29/096,636**

[22] Filed: **Nov. 17, 1998**

Related U.S. Application Data

[62] Division of application No. 29/081,117, Dec. 22, 1997.

[51] **LOC (6) Cl.** **21-03**

[52] **U.S. Cl.** **D21/826**

[58] **Field of Search** D21/811, 814,
D21/826, 827; 482/35-37; 472/117, 128;
446/85, 86, 89, 166, 267

[56] References Cited

U.S. PATENT DOCUMENTS

D. 222,487	10/1971	Korte	D21/826
D. 225,344	12/1972	Henning et al.	.	
D. 246,477	11/1977	Callecod	.	
D. 302,198	7/1989	Mercer	.	
D. 352,327	11/1994	Delaney et al.	.	
D. 366,086	1/1996	Ziegler, Jr. et al.	.	
3,570,848	3/1971	Bowen	482/34
5,194,048	3/1993	Briggs	472/128
5,480,336	1/1996	Blanchard	446/89
5,649,867	7/1997	Briggs	472/128
5,741,189	4/1998	Briggs	472/128

Primary Examiner—Mitchell I Siegel
Attorney, Agent, or Firm—Knobbe, Martens, Olson & Bear, LLP

[57] CLAIM

The ornamental design for a target arena play structure, as shown and described.

DESCRIPTION

FIG. 1 is a top plan view of three target arena play structures in accordance with the present invention concentrically arranged about a central target, shown in broken line for illustrative purposes only and forming no part of the design;

FIG. 2 is a front elevation view of two of the concentrically arranged target arena play structures of FIG. 1, the left, right and rear elevation views being substantially identical thereto;

FIG. 3 is a rear elevation view of a target arena play structure of FIG. 1;

FIG. 4 is a front elevation view of a target arena play structure of FIG. 1;

FIG. 5 is a right side elevation view of a target arena play structure of FIG. 1;

FIG. 6 is a left side elevation view of a target arena play structure of FIG. 1;

FIG. 7 is a top plan view of a target arena play structure of FIG. 1; and,

FIG. 8 is a bottom plan view of a target arena play structure of FIG. 1.

1 Claim, 5 Drawing Sheets

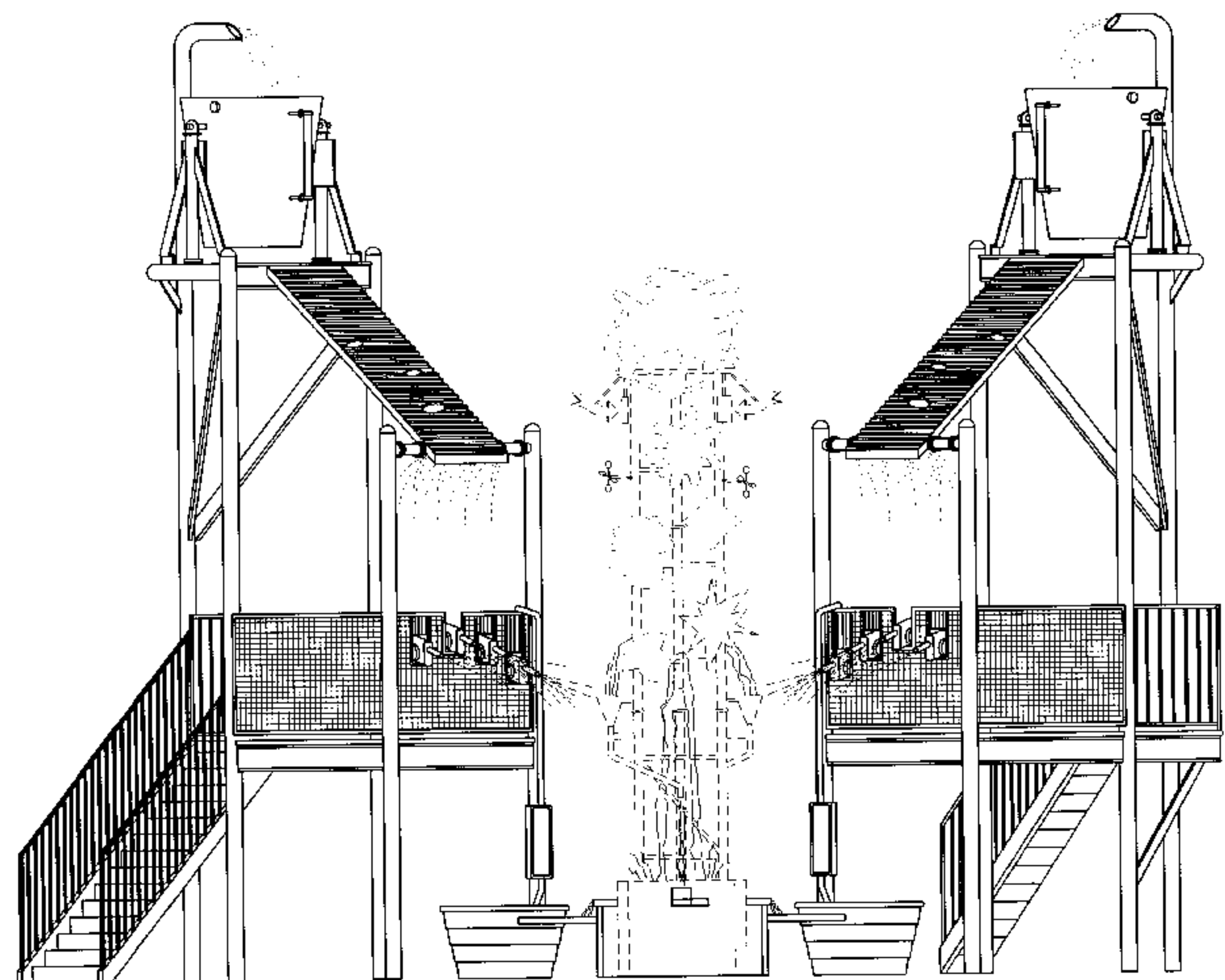
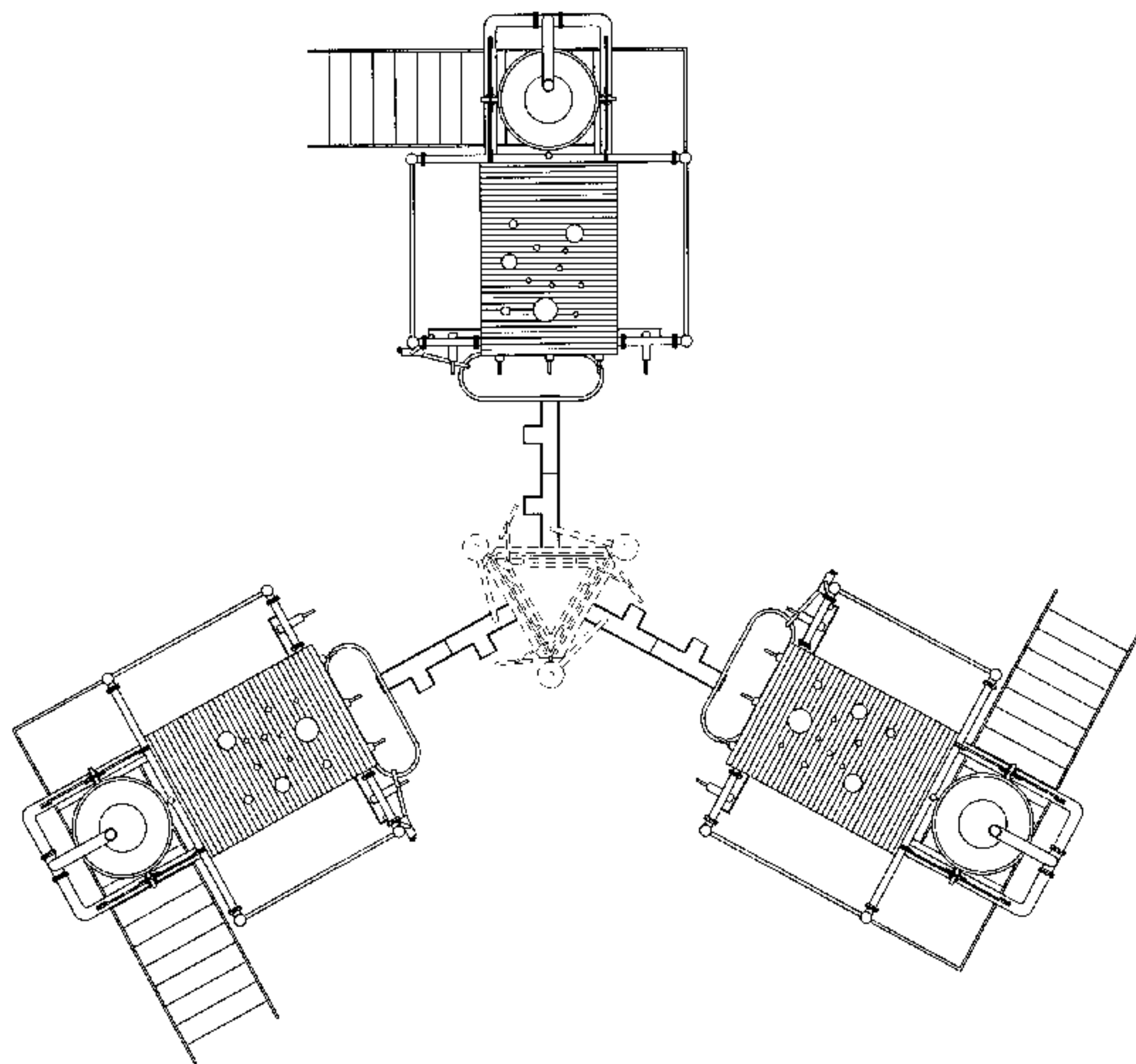
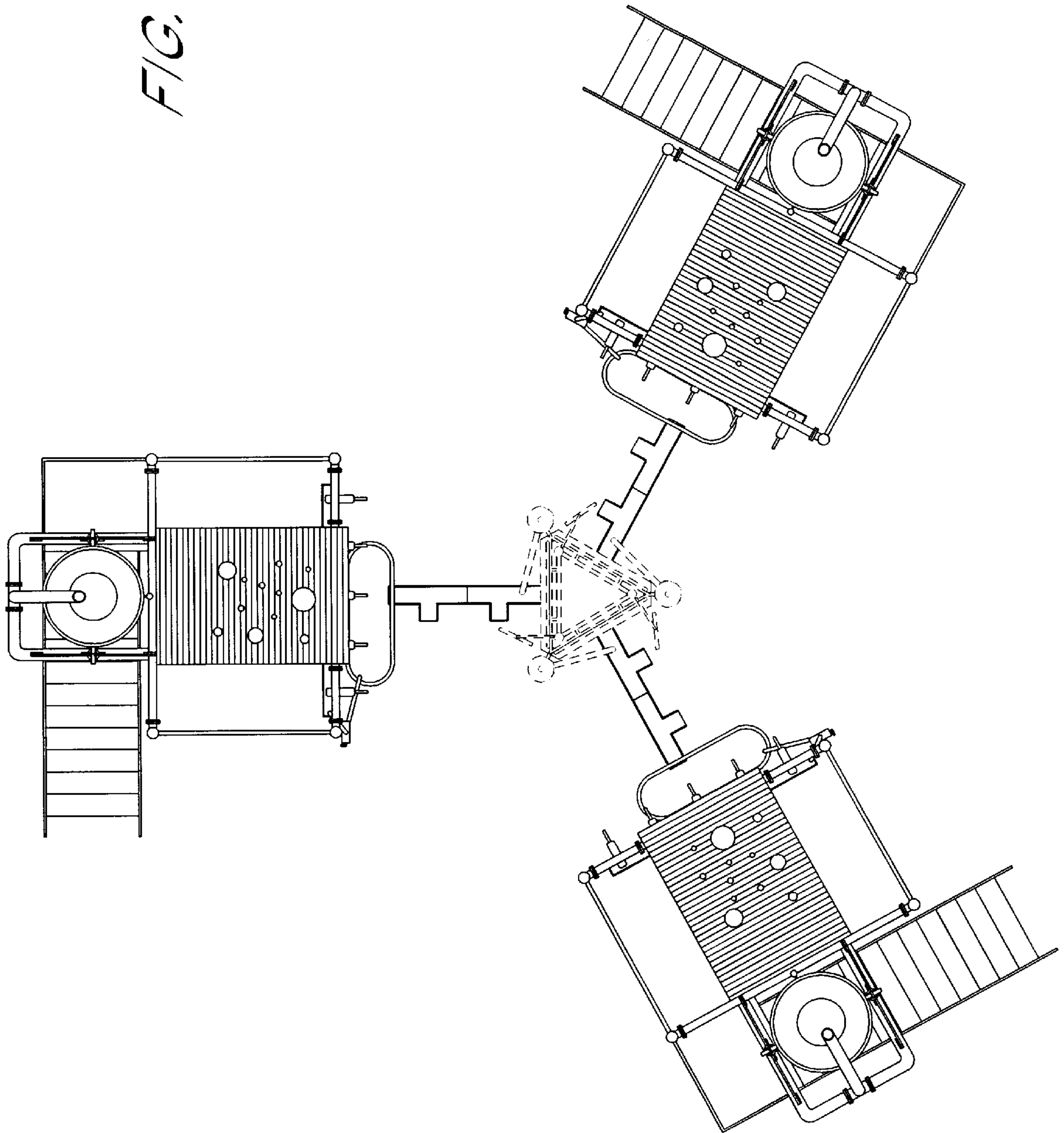


FIG. 1



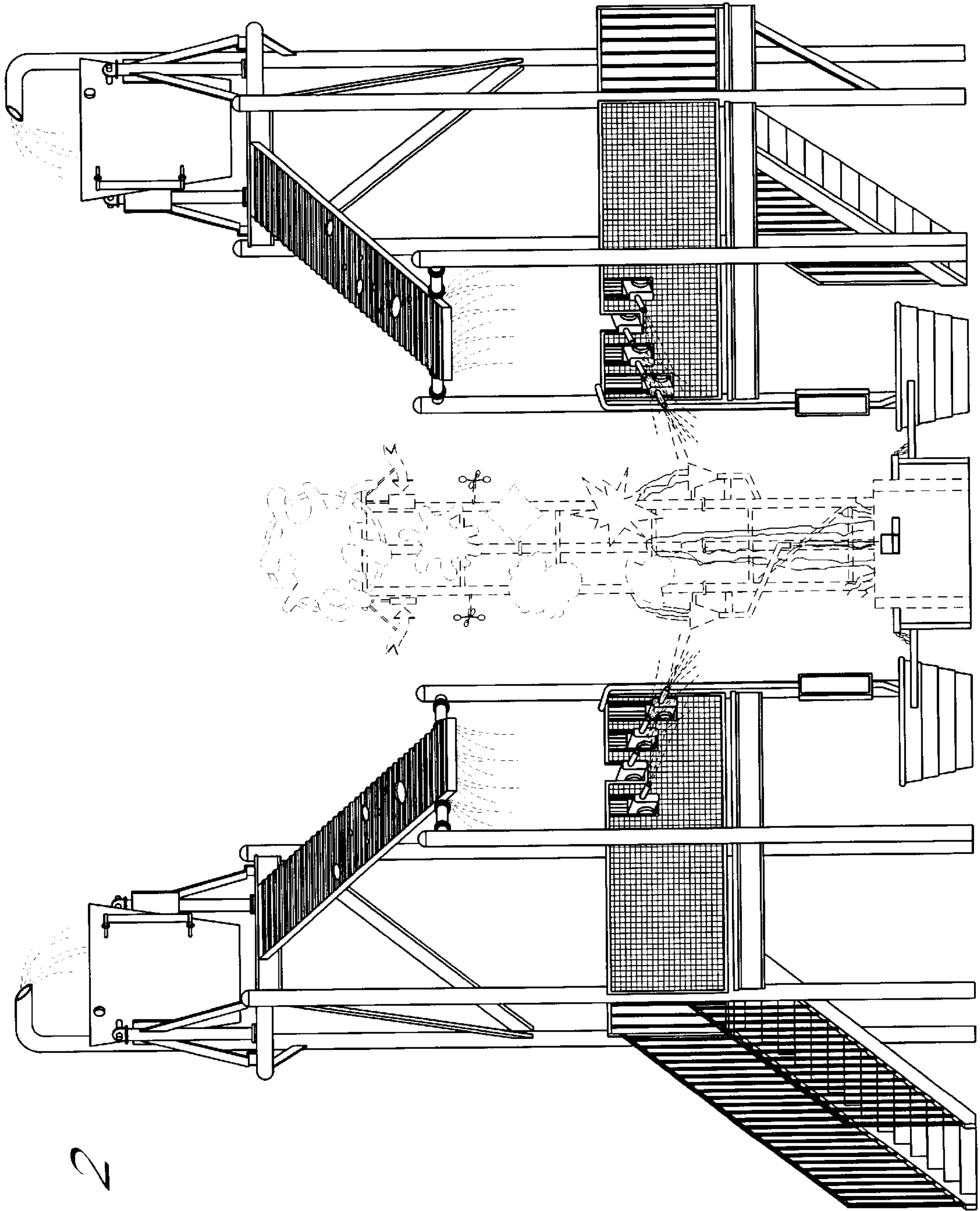
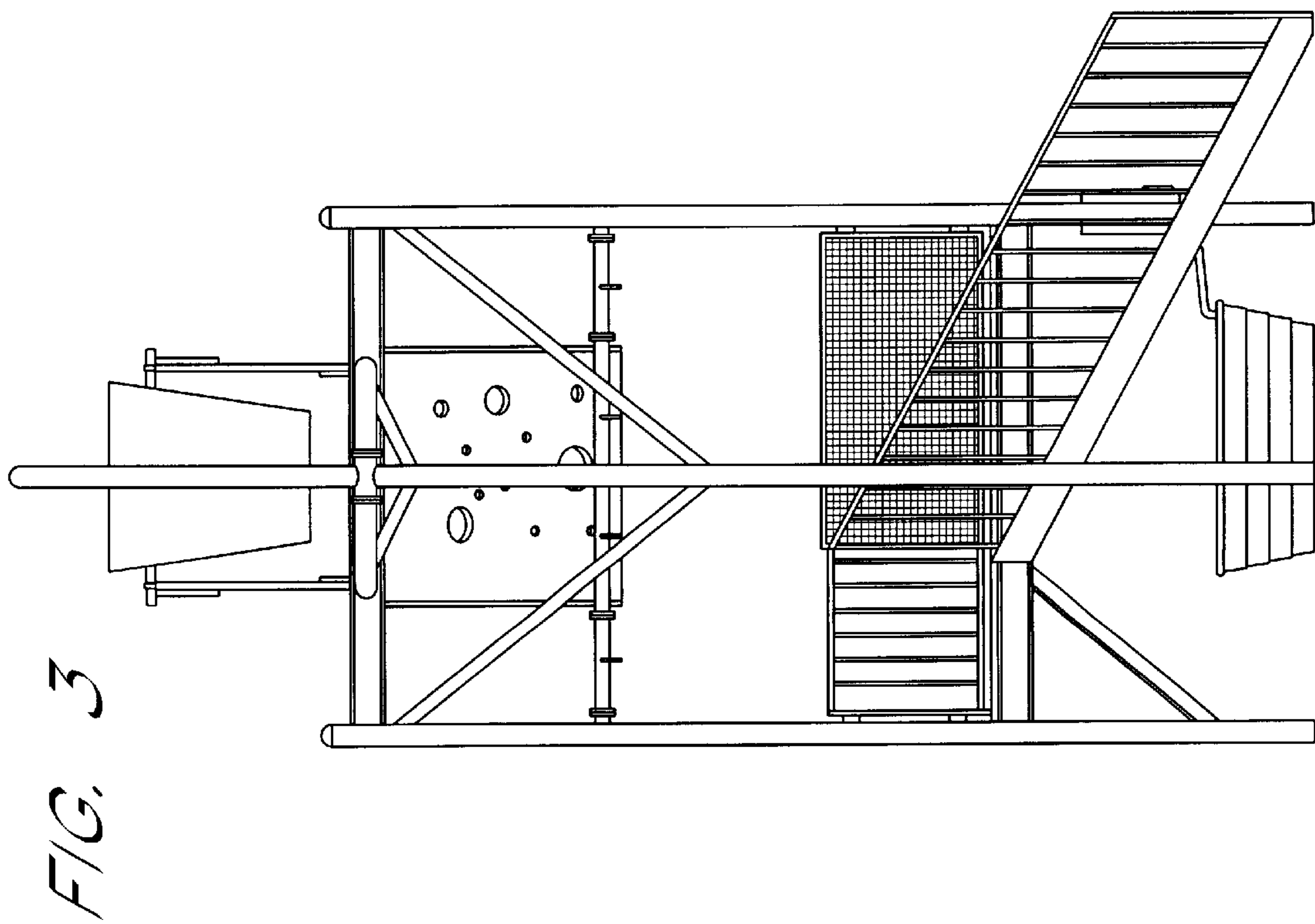
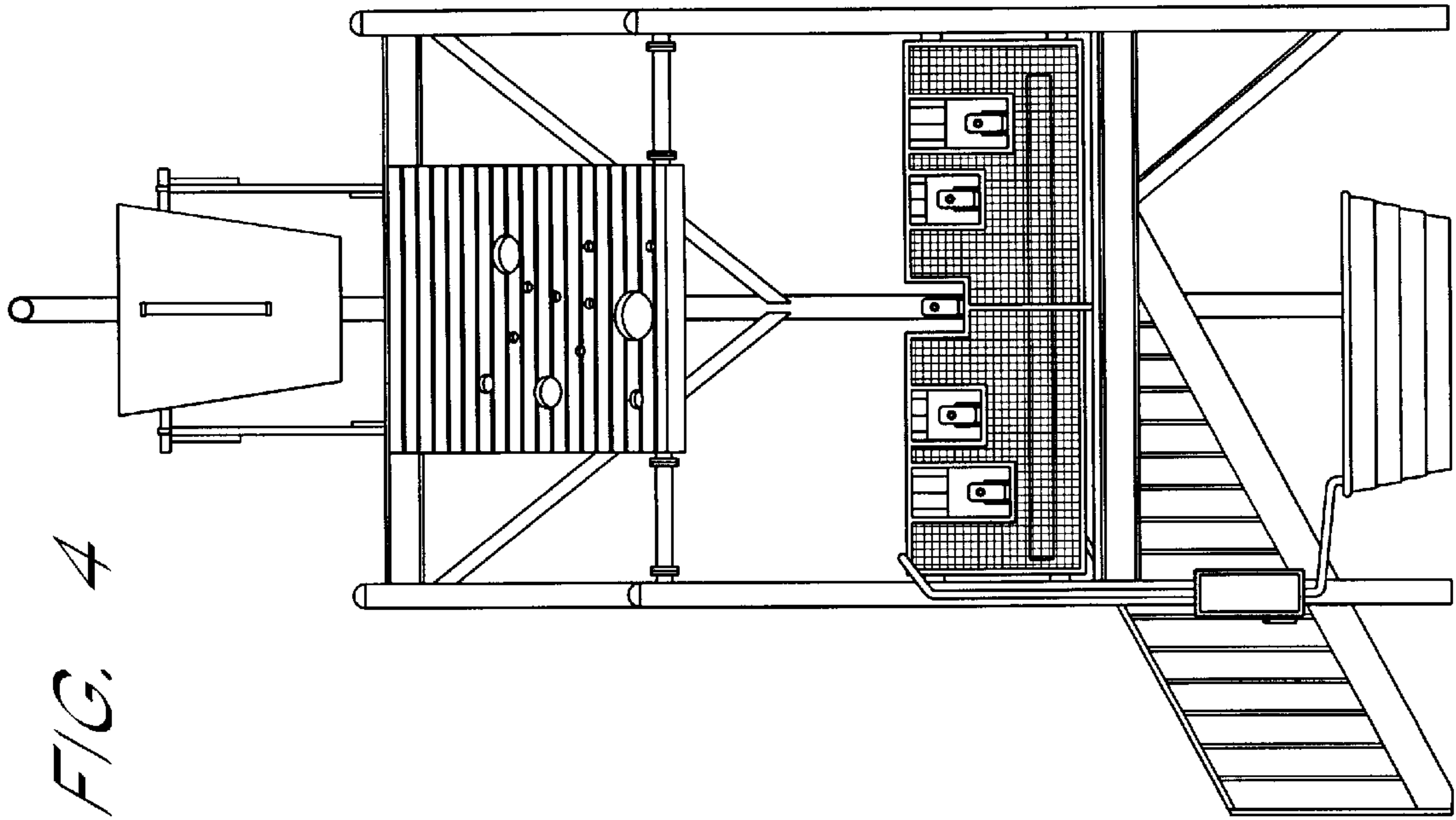
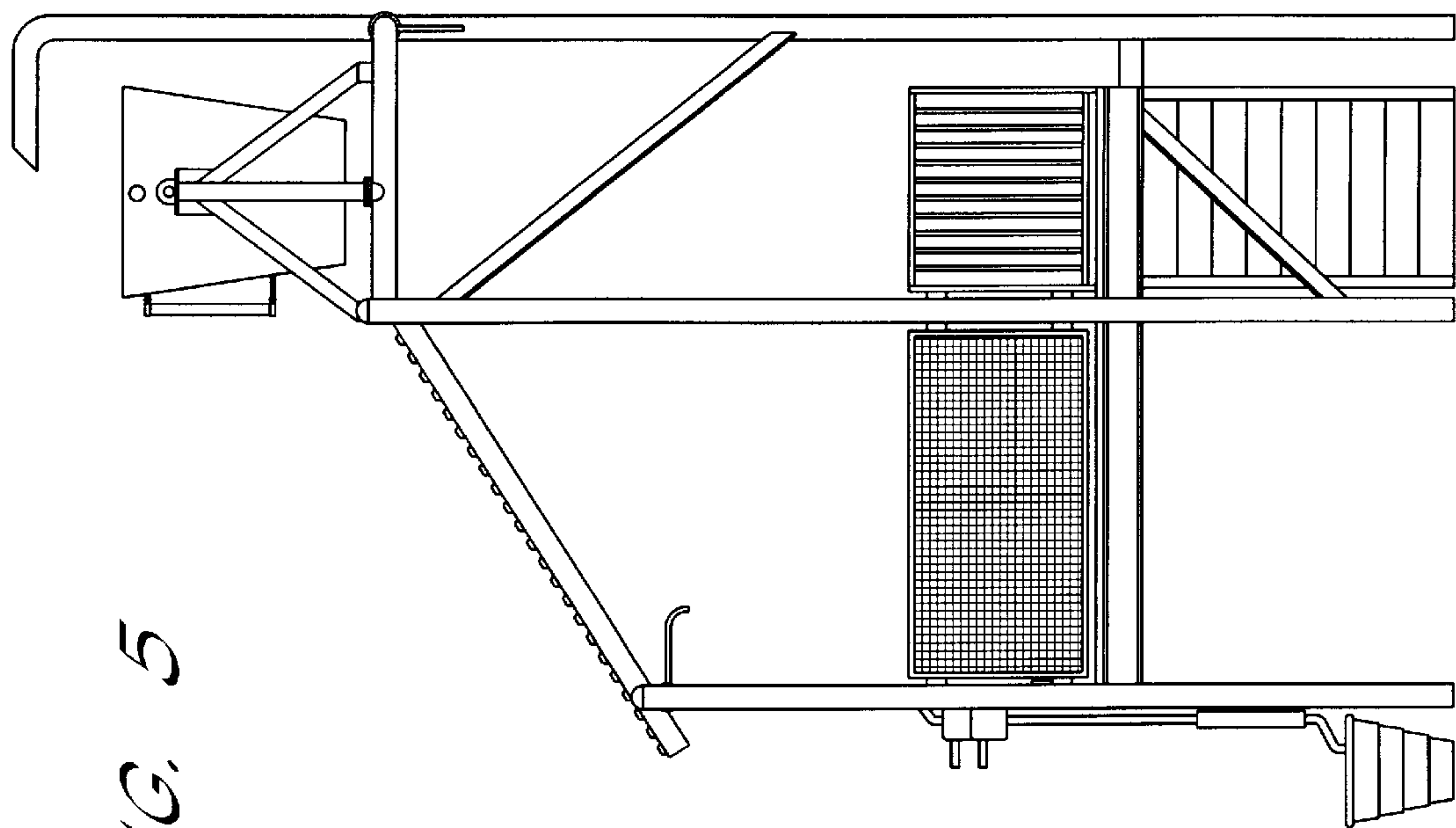
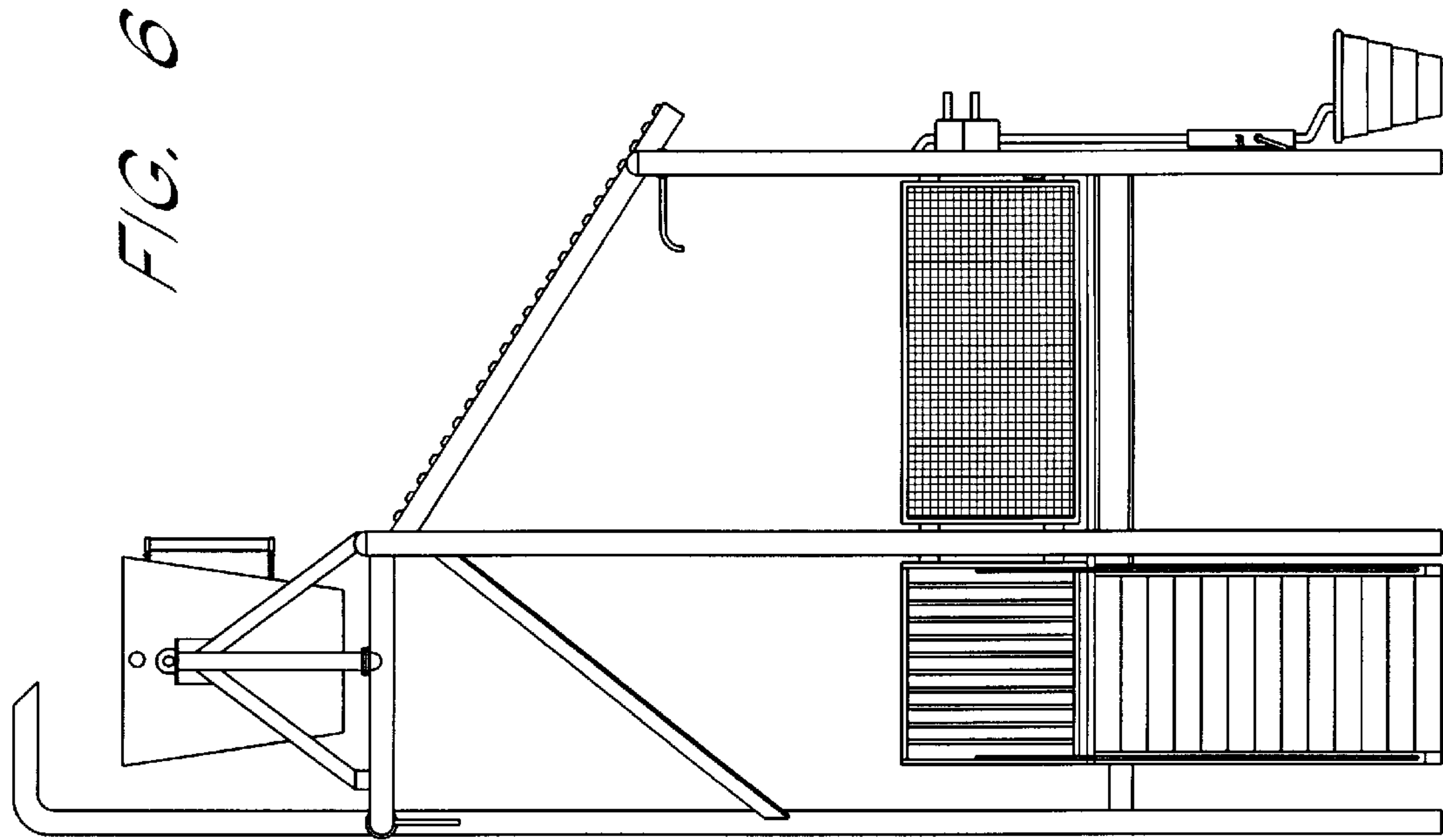


FIG. 2





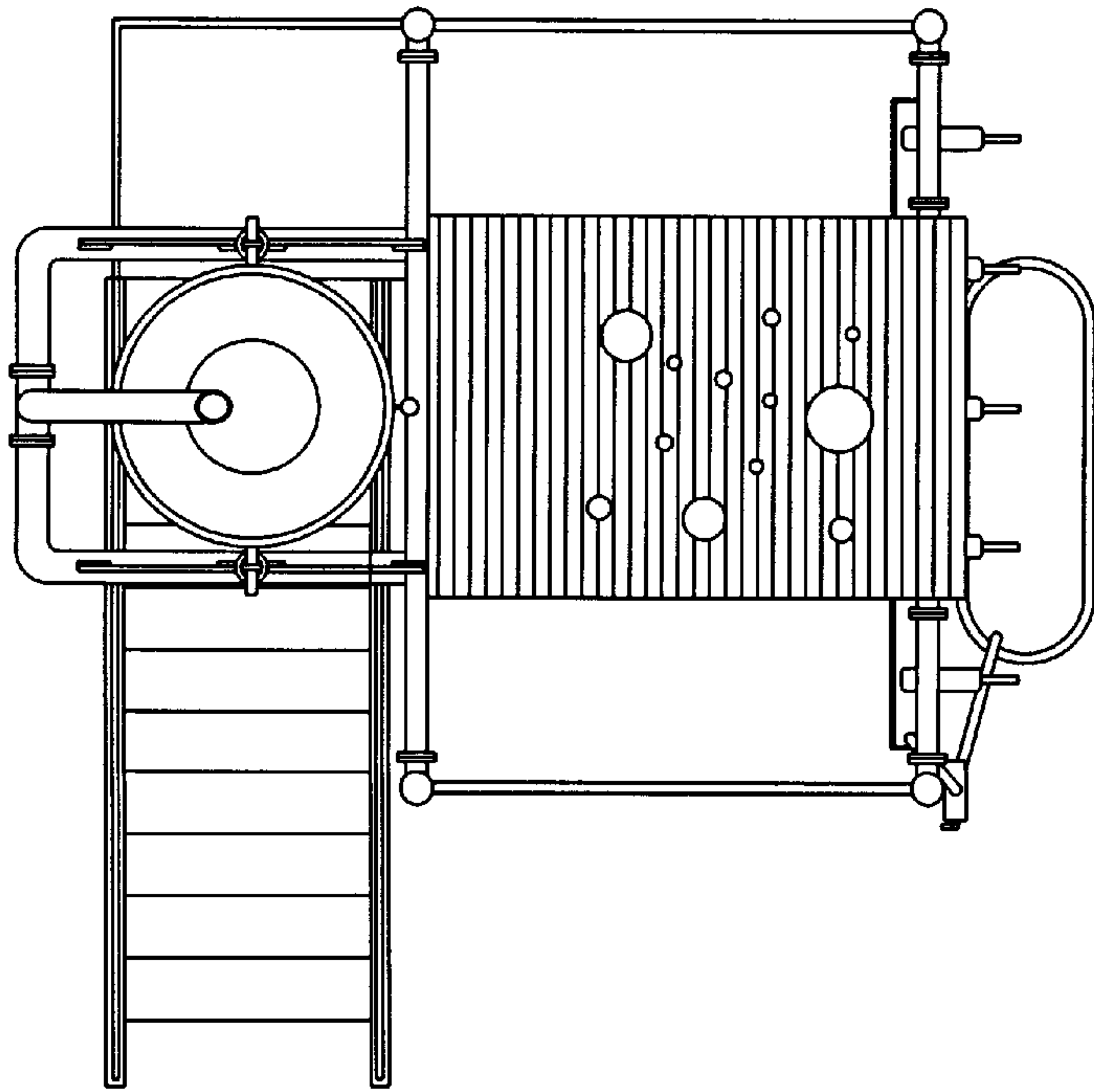


FIG. 7

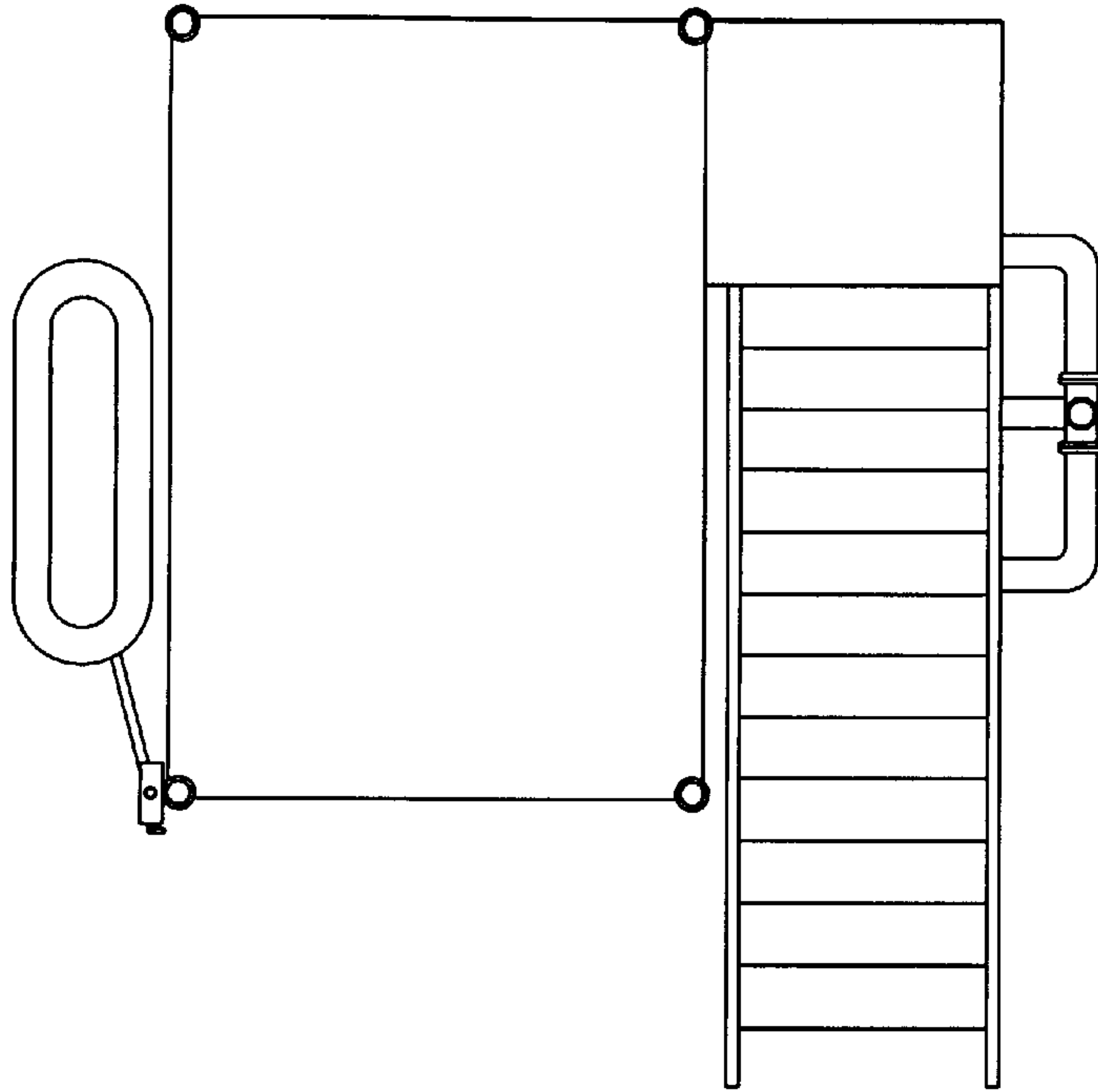


FIG. 8