



US00D413947S

United States Patent [19] Gvoich

[11] **Patent Number: Des. 413,947**

[45] **Date of Patent: ** Sep. 14, 1999**

[54] **EXERCISE DEVICE**

[75] Inventor: **Ned Gvoich**, Scottsdale, Ariz.

[73] Assignee: **Kordun, Ltd.**, Scottsdale, Ariz.

[**] Term: **14 Years**

[21] Appl. No.: **29/095,852**

[22] Filed: **Oct. 30, 1998**

[51] **LOC (6) Cl.** **21-02**

[52] **U.S. Cl.** **D21/676; D21/670; D21/673**

[58] **Field of Search** D21/673, 674,
D21/675, 676; 482/70, 72, 92, 93, 133,
138, 142

[56] **References Cited**

U.S. PATENT DOCUMENTS

D. 303,558 9/1989 Alessandri D21/675
4,625,962 12/1986 Street 482/72

5,362,290 11/1994 Huang 482/138
5,496,236 3/1996 Buonaiuto 482/110
5,743,832 4/1998 Sands et al. 482/142
5,833,582 11/1998 Chen 482/142
5,839,995 11/1998 Chen 482/138

Primary Examiner—Philip S. Hyder
Attorney, Agent, or Firm—John D. Titus; Bryan Cave, LLP

[57] **CLAIM**

The ornamental design for an exercise device, as shown.

DESCRIPTION

FIG. 1 is perspective view;
FIG. 2 is a bottom plan view;
FIG. 3 is a top plan view;
FIG. 4 is a front elevational view;
FIG. 5 is a rear elevational view; and,
FIG. 6 is a right side elevational view thereof, wherein the
left side view is a mirror image.

1 Claim, 3 Drawing Sheets

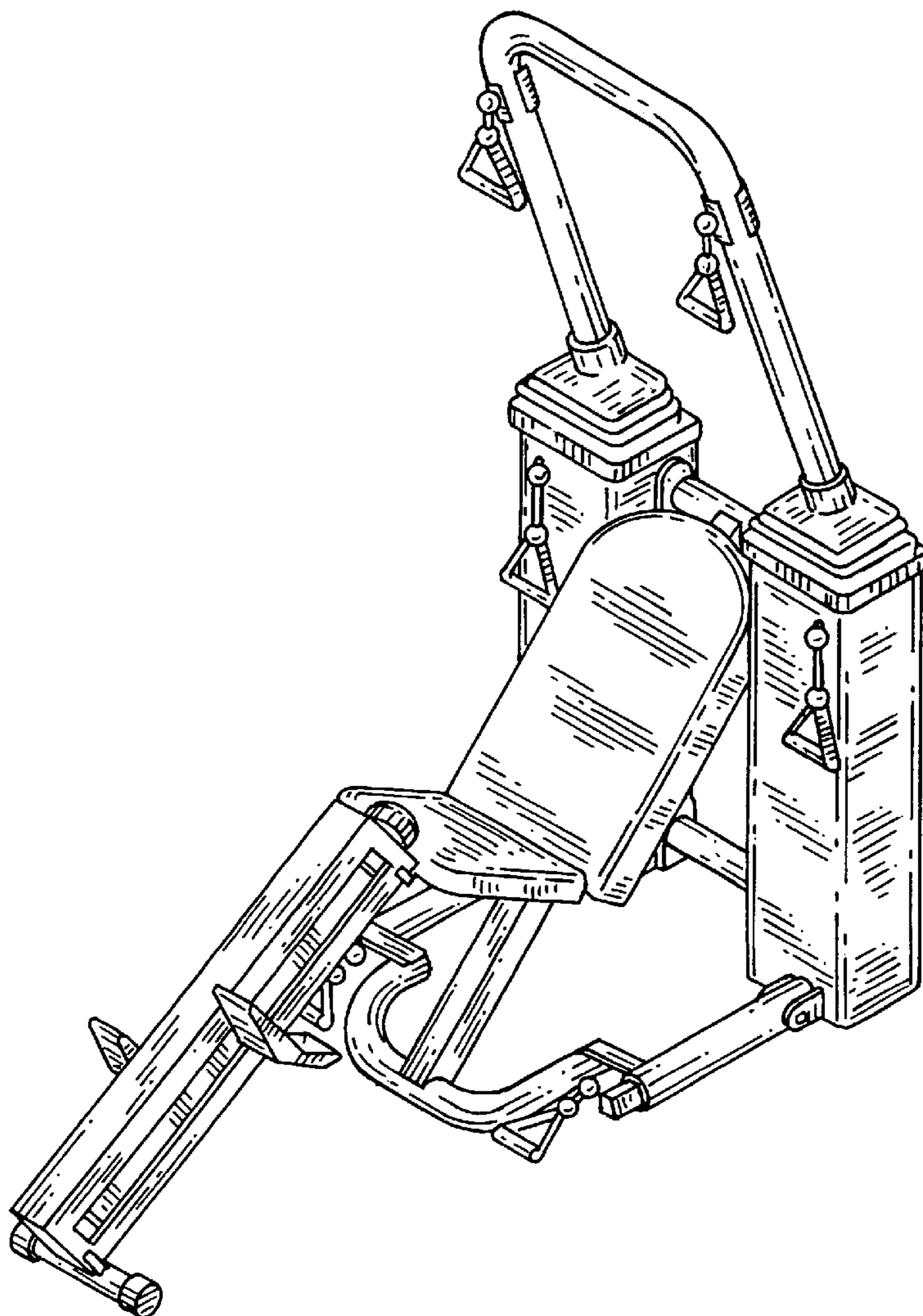


FIG. 1

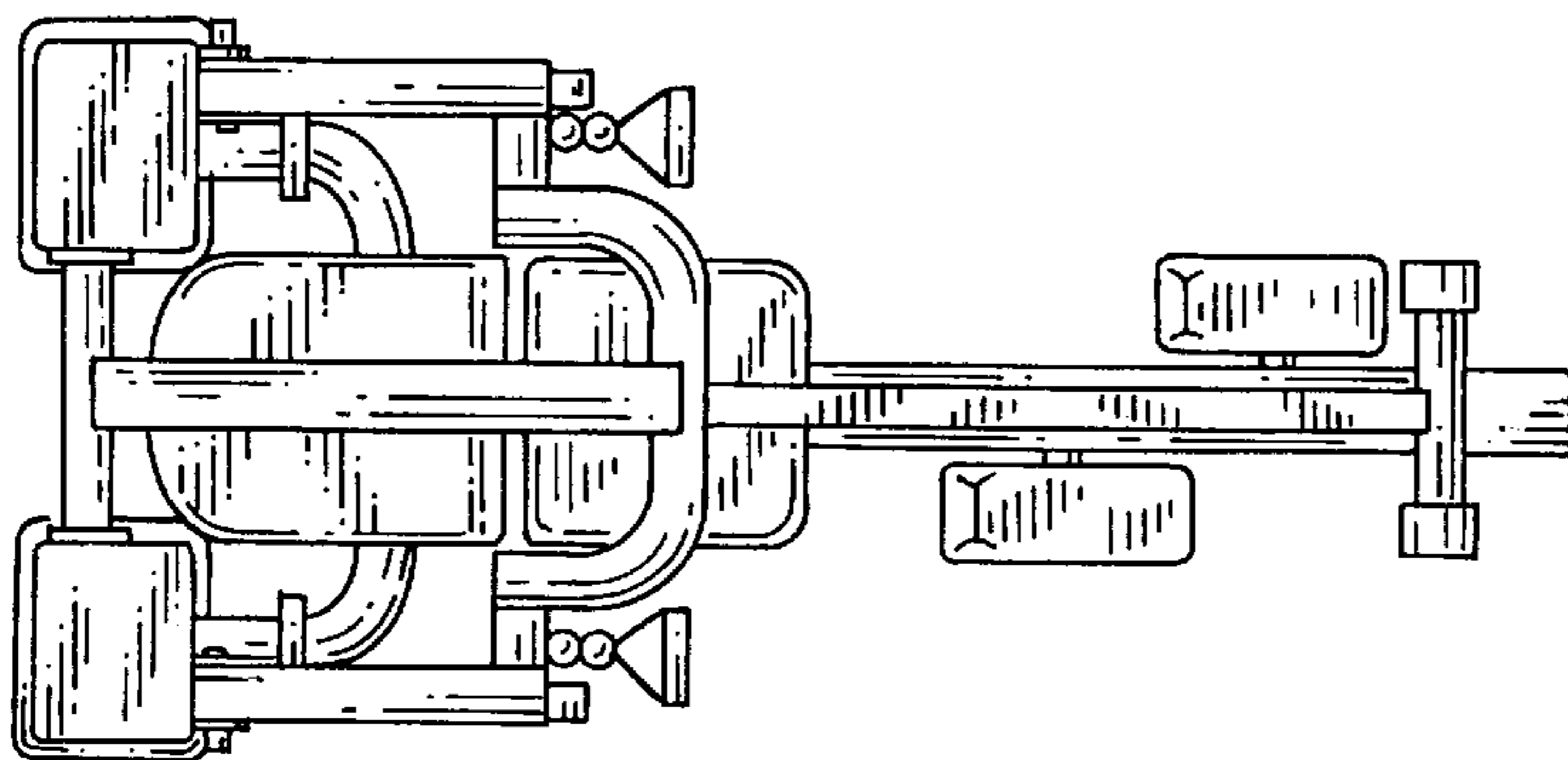
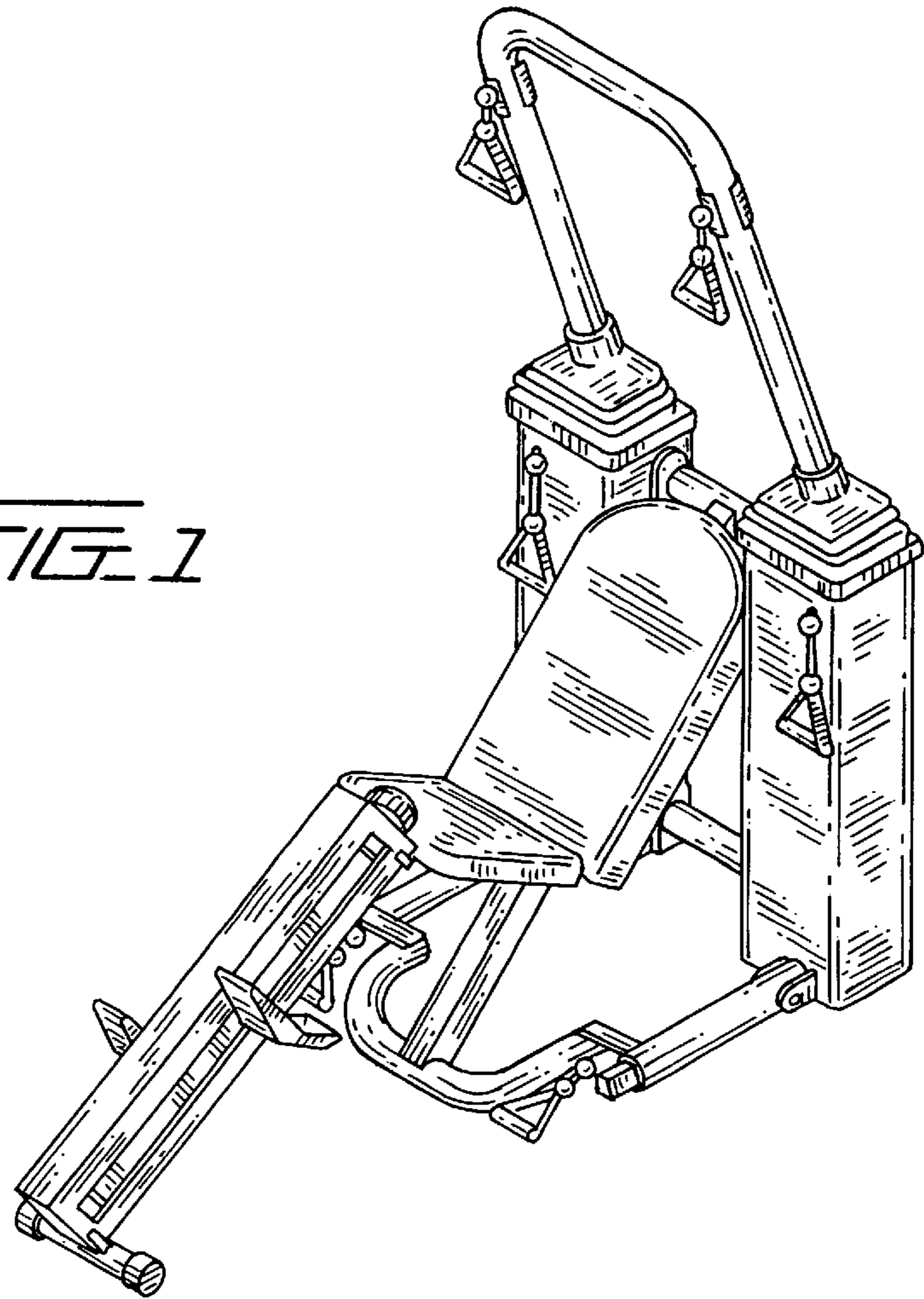


FIG. 2

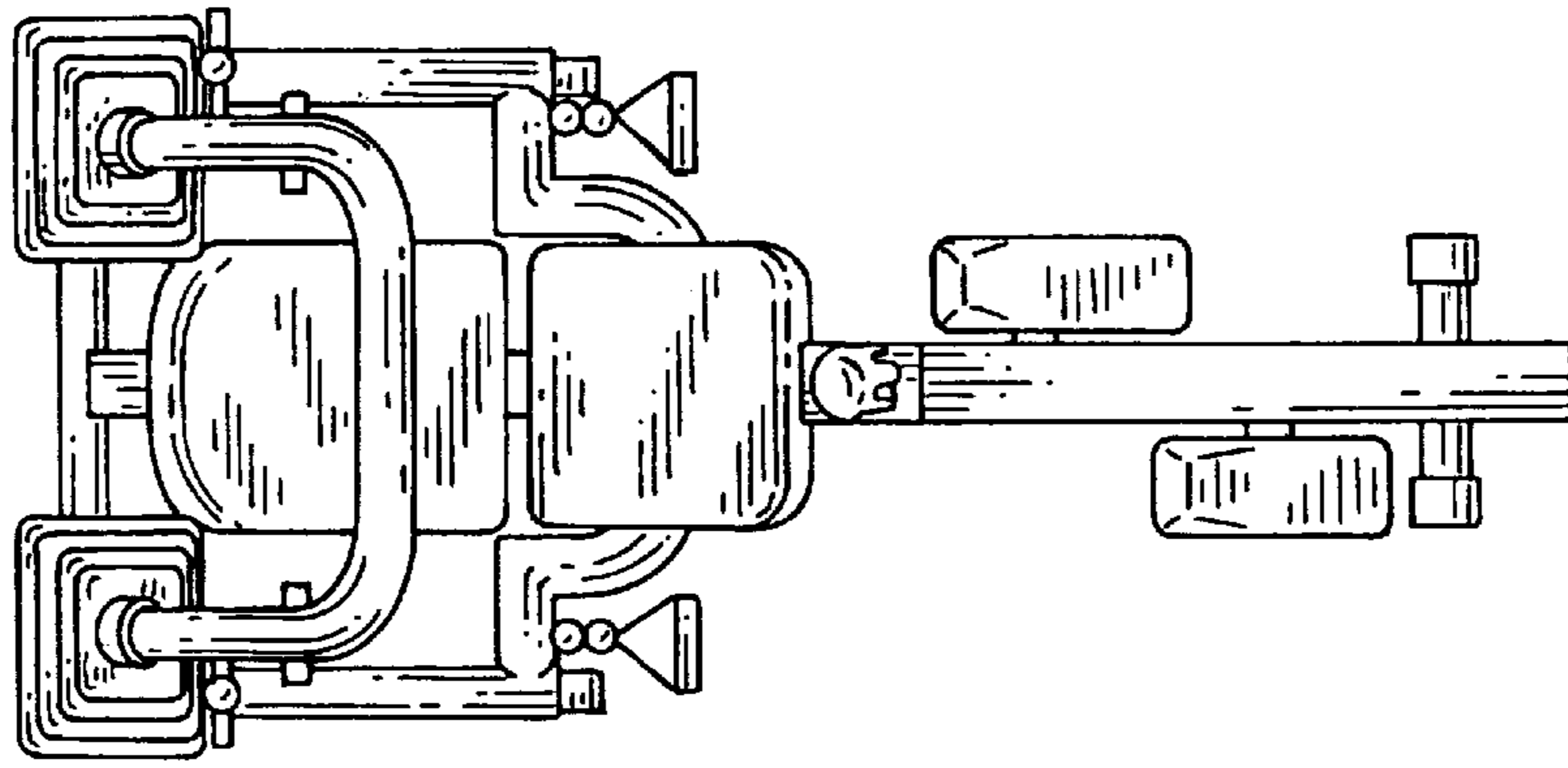


FIG. 3

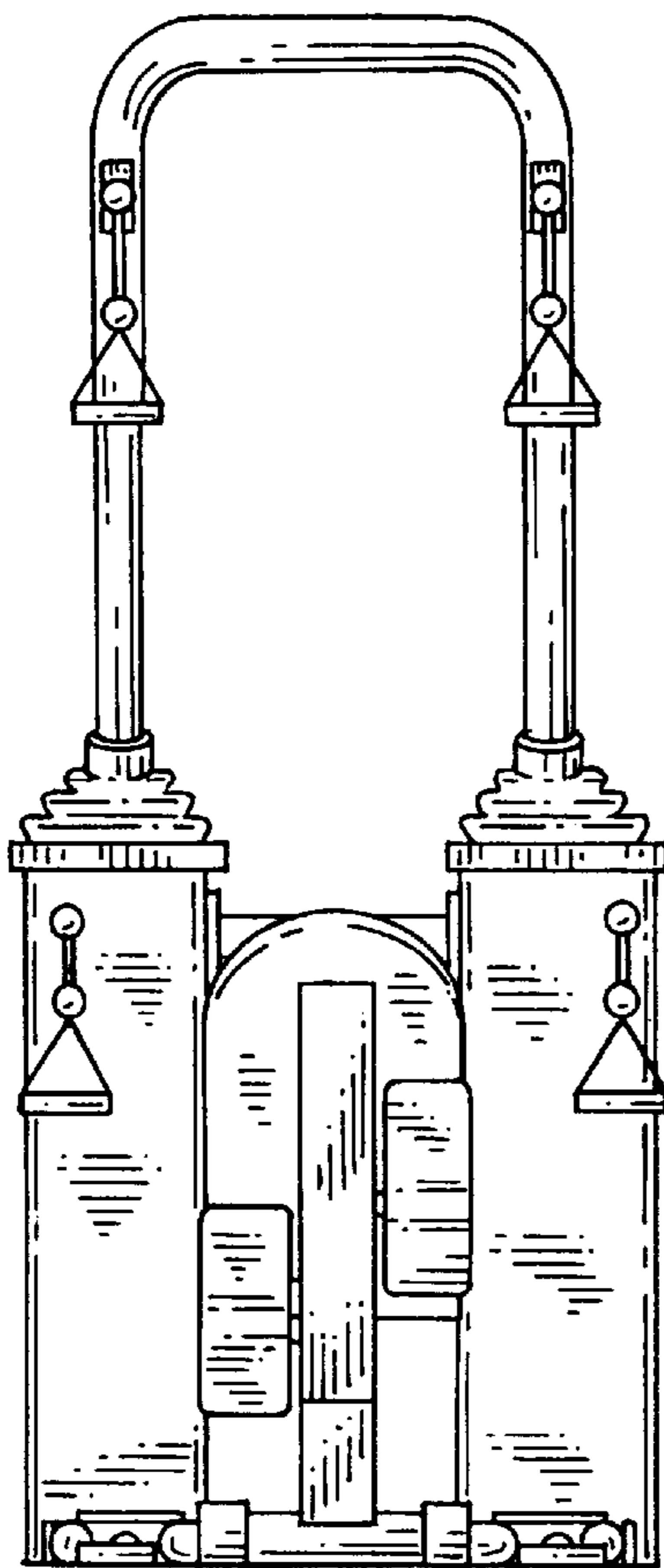


FIG. 4

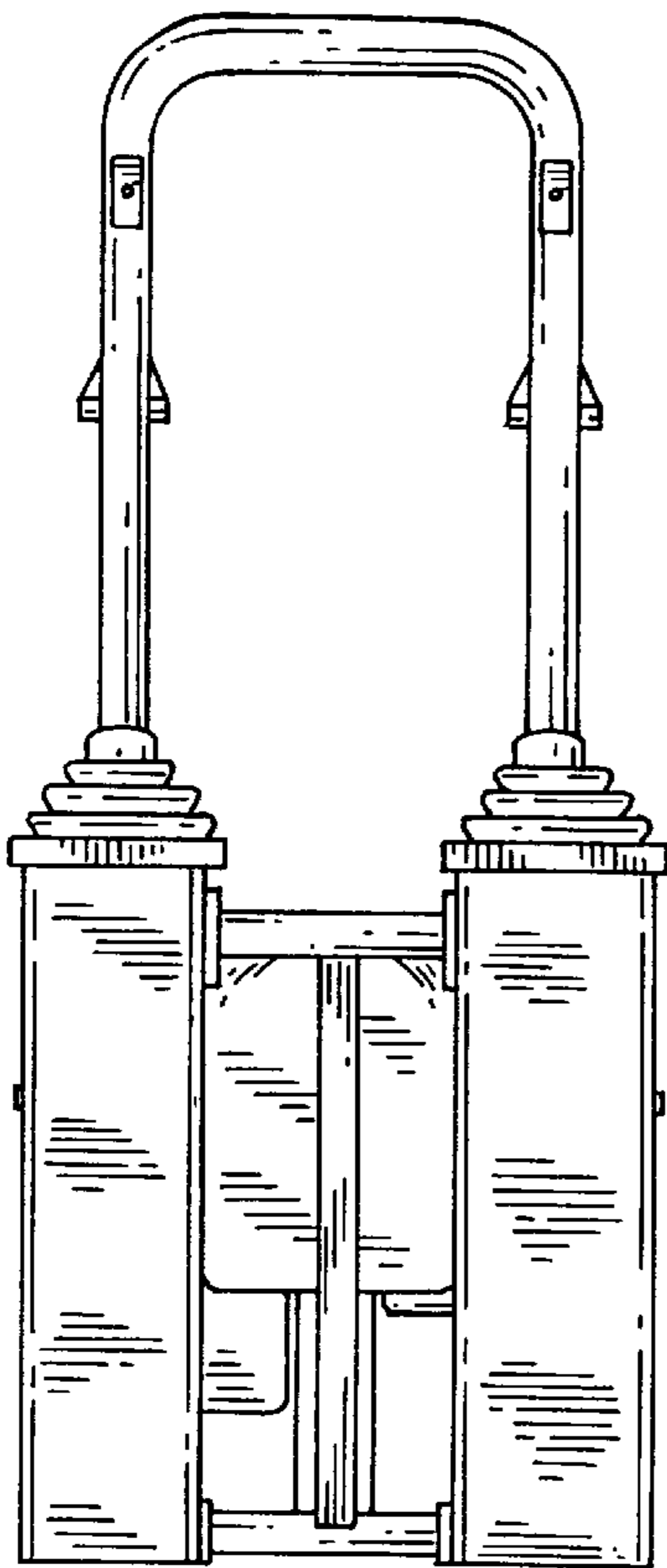


FIG. 5

FIG. 6

