



US00D413941S

# United States Patent [19] Ko

[11] **Patent Number: Des. 413,941**

[45] **Date of Patent: \*\* Sep. 14, 1999**

[54] **ELECTRONIC LEARNING AID HOUSING**

[76] **Inventor: Kenneth W.K. Ko, 5/F, Rear, 4, Fuk Lo Tusn Road, Kowlooncity, Kowloon, The Hong Kong Special Administrative Region of the People's Republic of China**

[\*\*] **Term: 14 Years**

[21] **Appl. No.: 29/080,745**

[22] **Filed: Dec. 15, 1997**

[51] **LOC (6) Cl. .... 21-01**

[52] **U.S. Cl. .... D21/475**

[58] **Field of Search .... D21/475, 476, D21/516, 513, 398; D19/59, 60; 446/227, 404, 408**

[56] **References Cited**

**U.S. PATENT DOCUMENTS**

- D. 187,218 2/1960 McHugh ..... D21/475
- D. 286,656 11/1986 Kamensky ..... D21/475

- D. 288,218 2/1987 Bedell et al. .... D21/516
- D. 302,444 7/1989 Tapdrup et al. .... D21/475
- D. 335,900 5/1993 Oshimi ..... D21/475
- D. 370,942 6/1996 Arad et al. .... D21/475

*Primary Examiner*—Dominic Simone

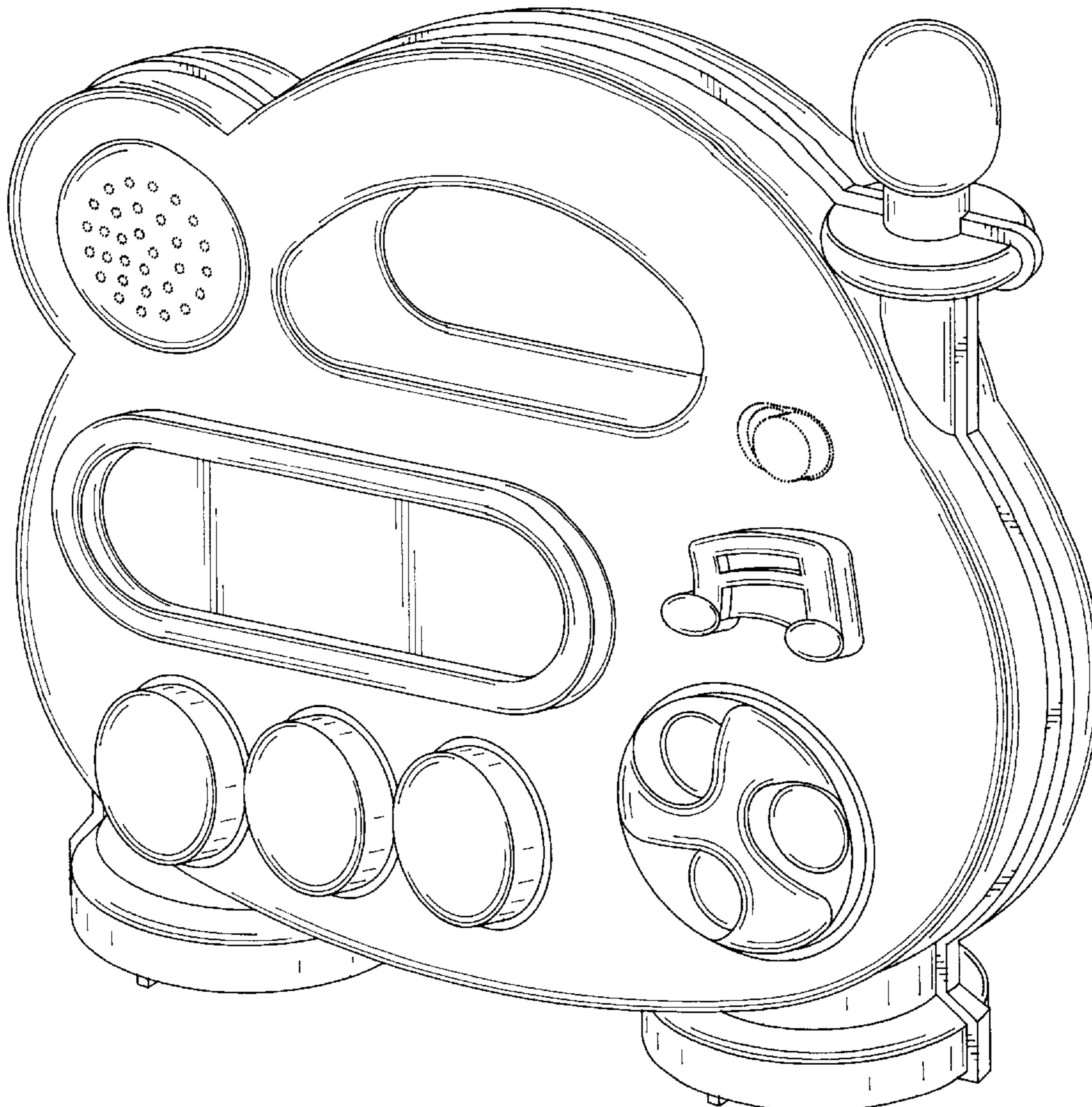
[57] **CLAIM**

The ornamental design for an electronic learning aid housing, as described and shown.

**DESCRIPTION**

FIG. 1 is a front plan view of the electronic learning aid housing showing my new ornamental design thereof; FIG. 2 is a back plan view thereof; FIG. 3 is a top elevational view thereof; FIG. 4 is a bottom elevational view thereof; FIG. 5 is a left side elevational view thereof; FIG. 6 is a right side elevational view thereof; and, FIG. 7 is a front perspective view thereof. All elements shown in broken lines are shown for illustrative purposes only and do not form part of the claimed design.

**1 Claim, 4 Drawing Sheets**



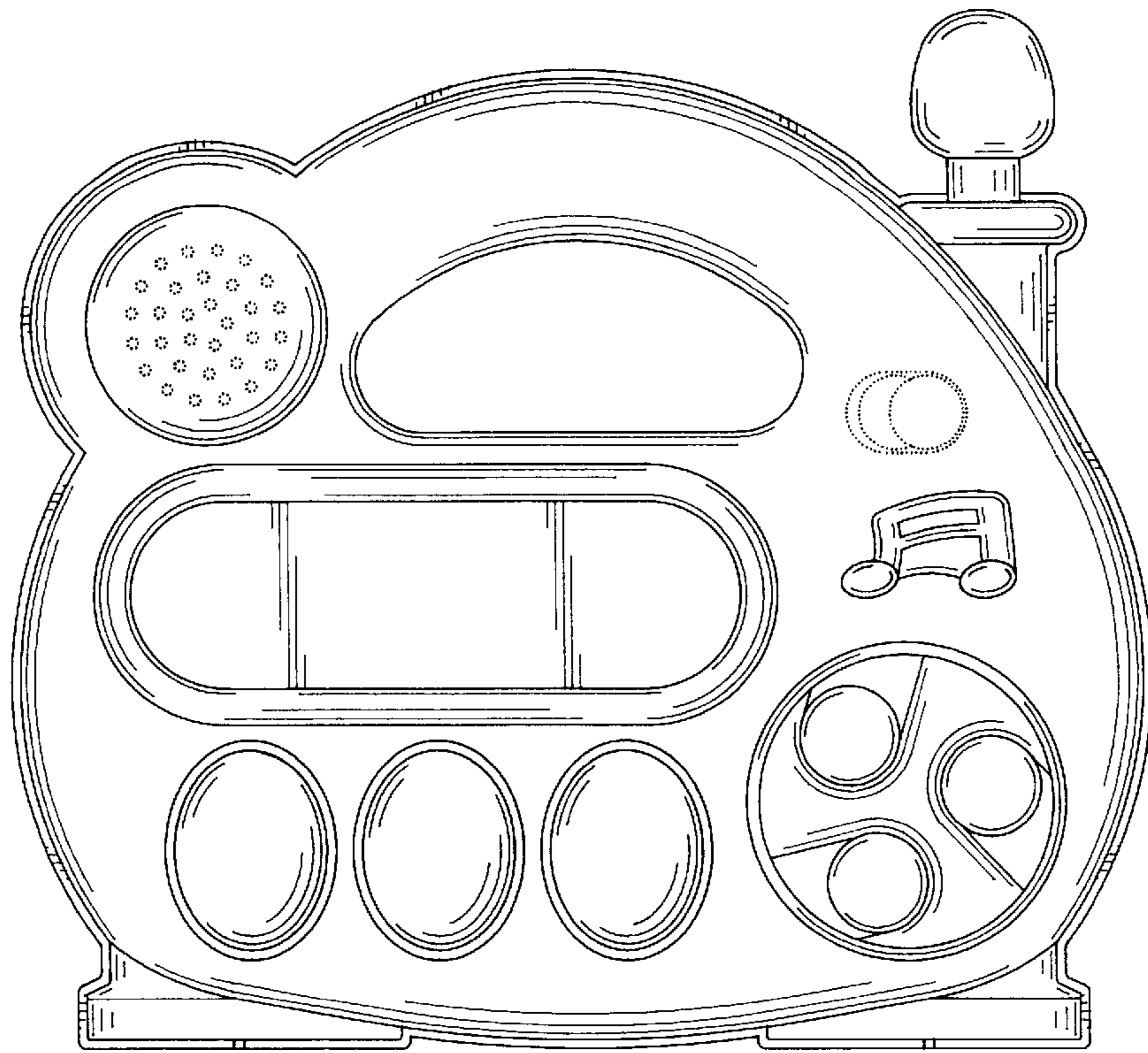


FIG. 1

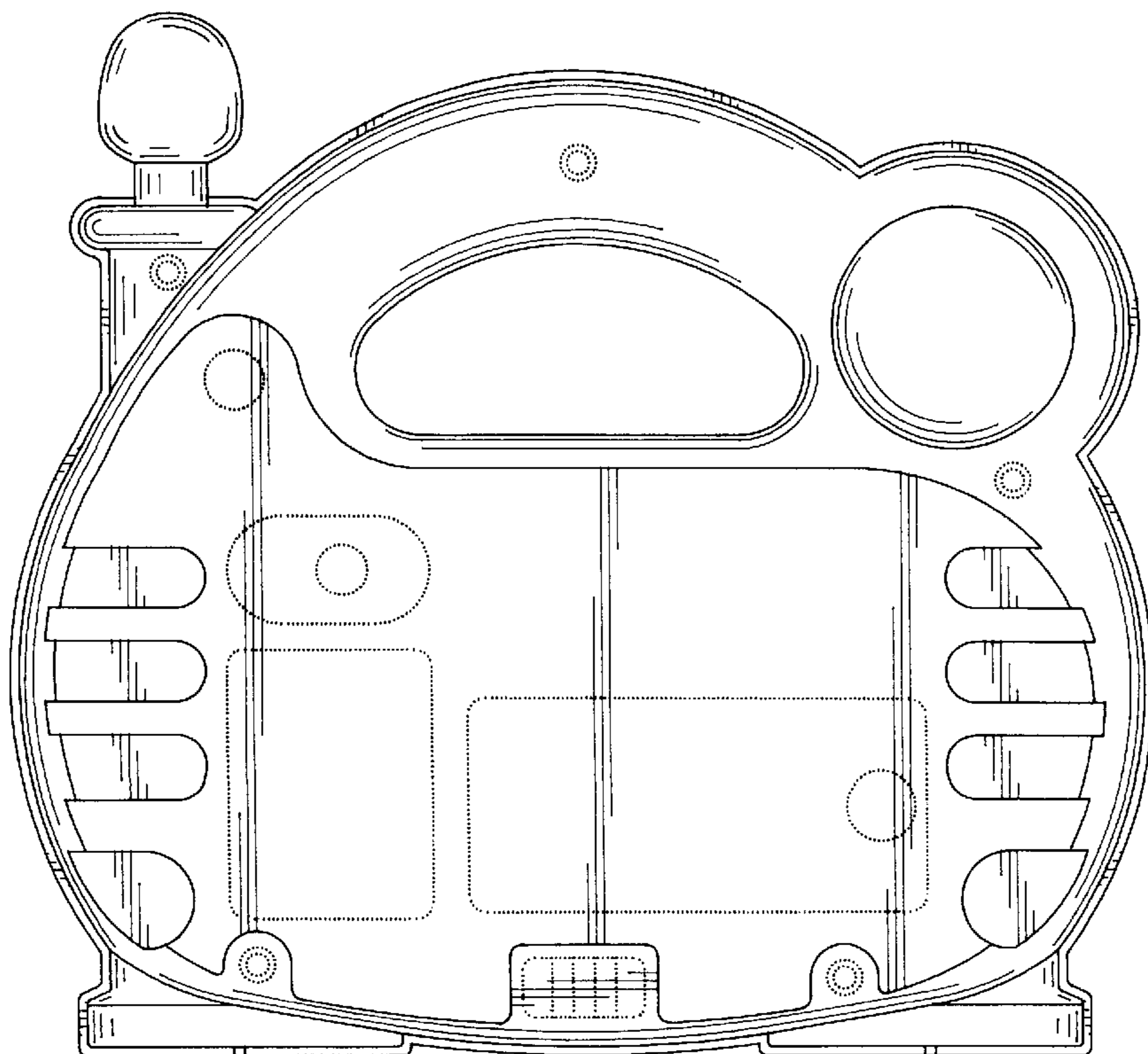


FIG. 2

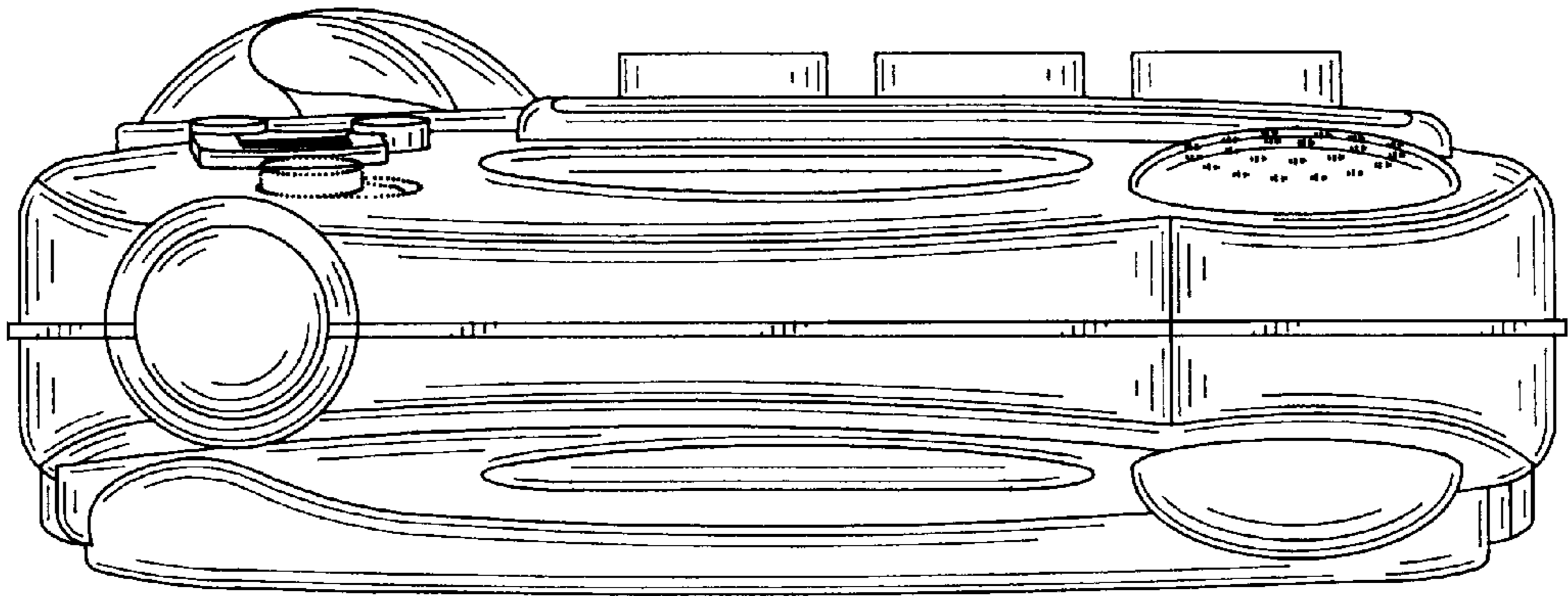


FIG. 3

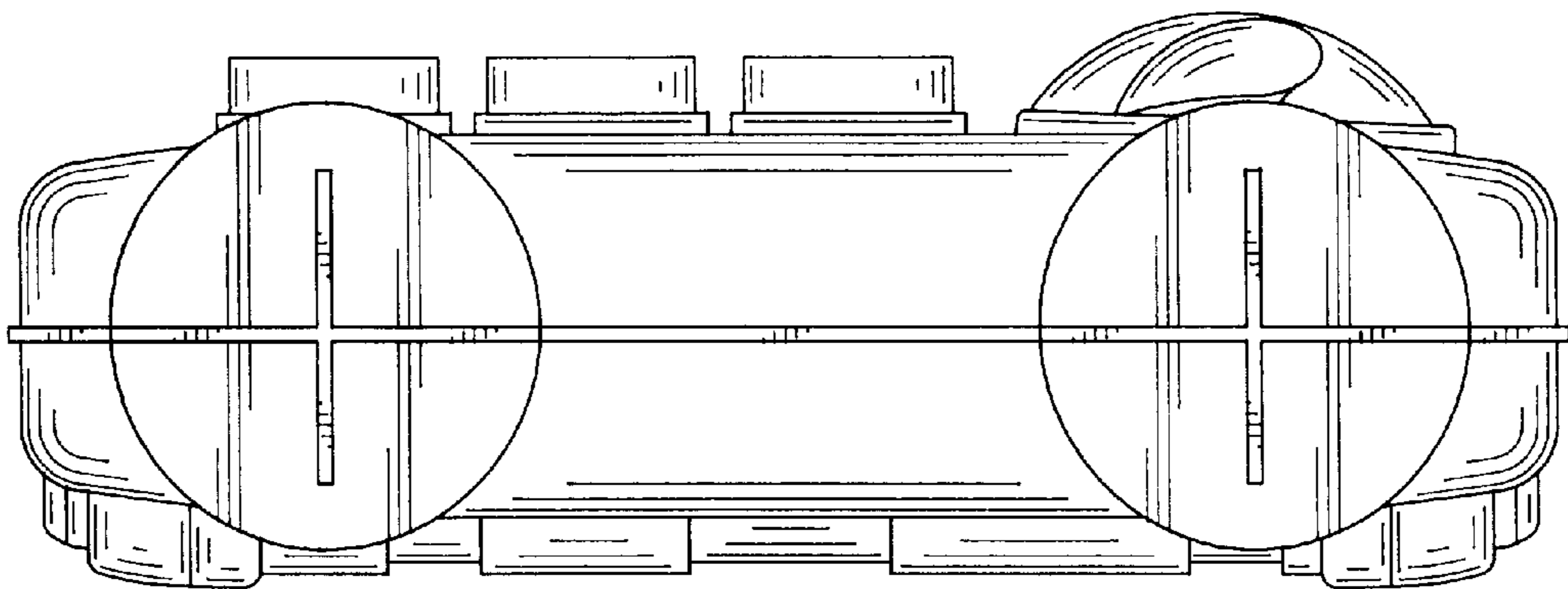


FIG. 4

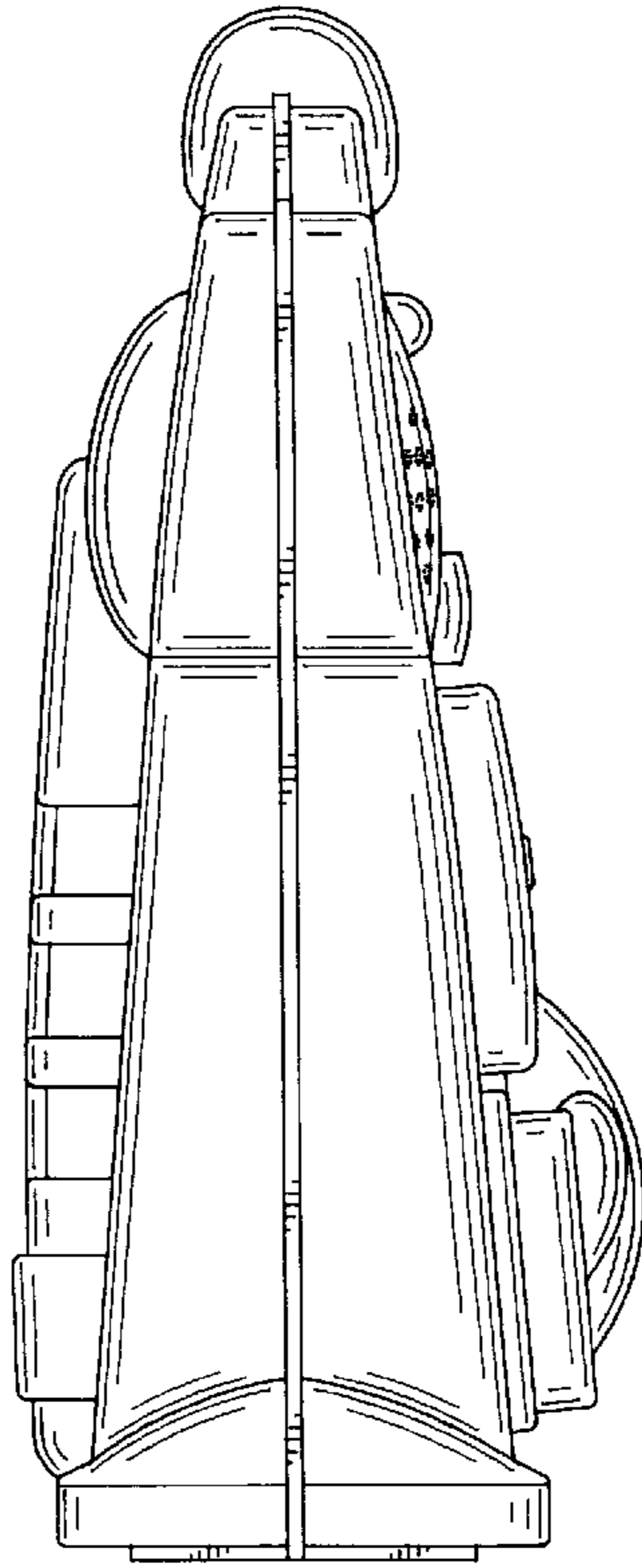


FIG. 5

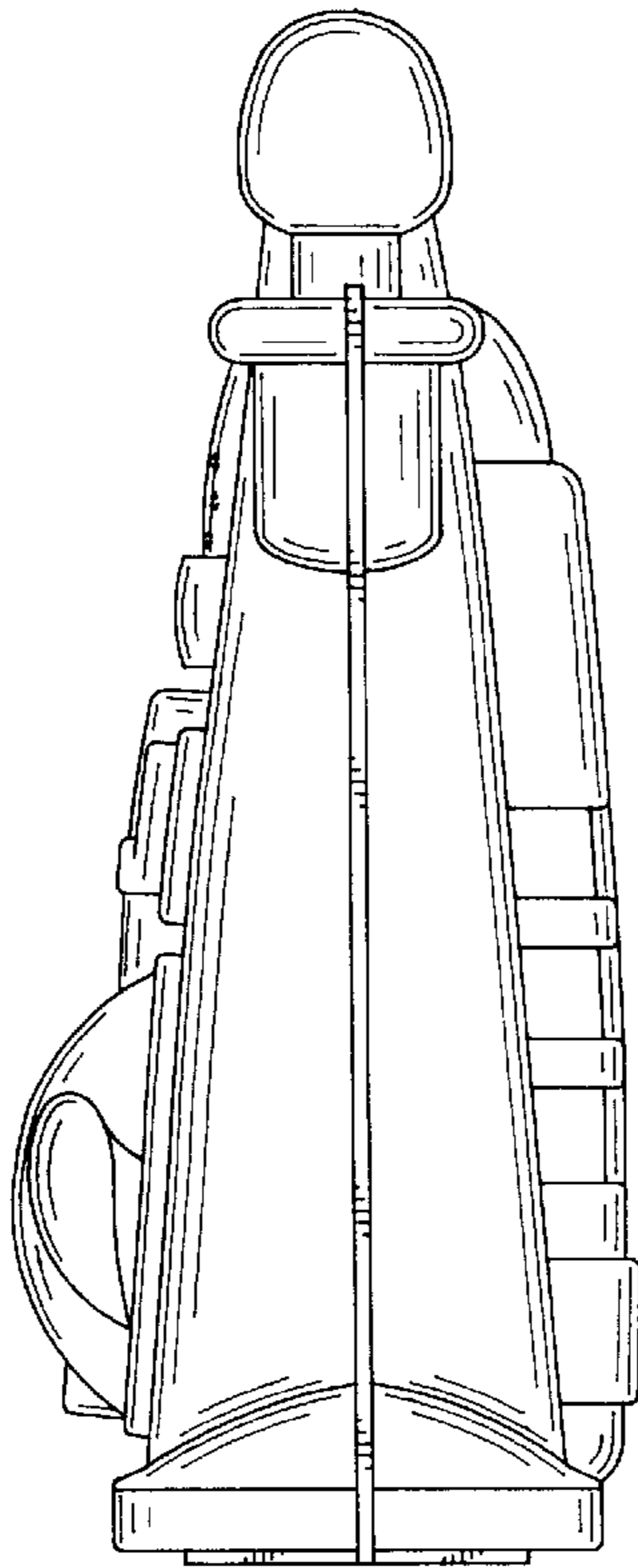


FIG. 6

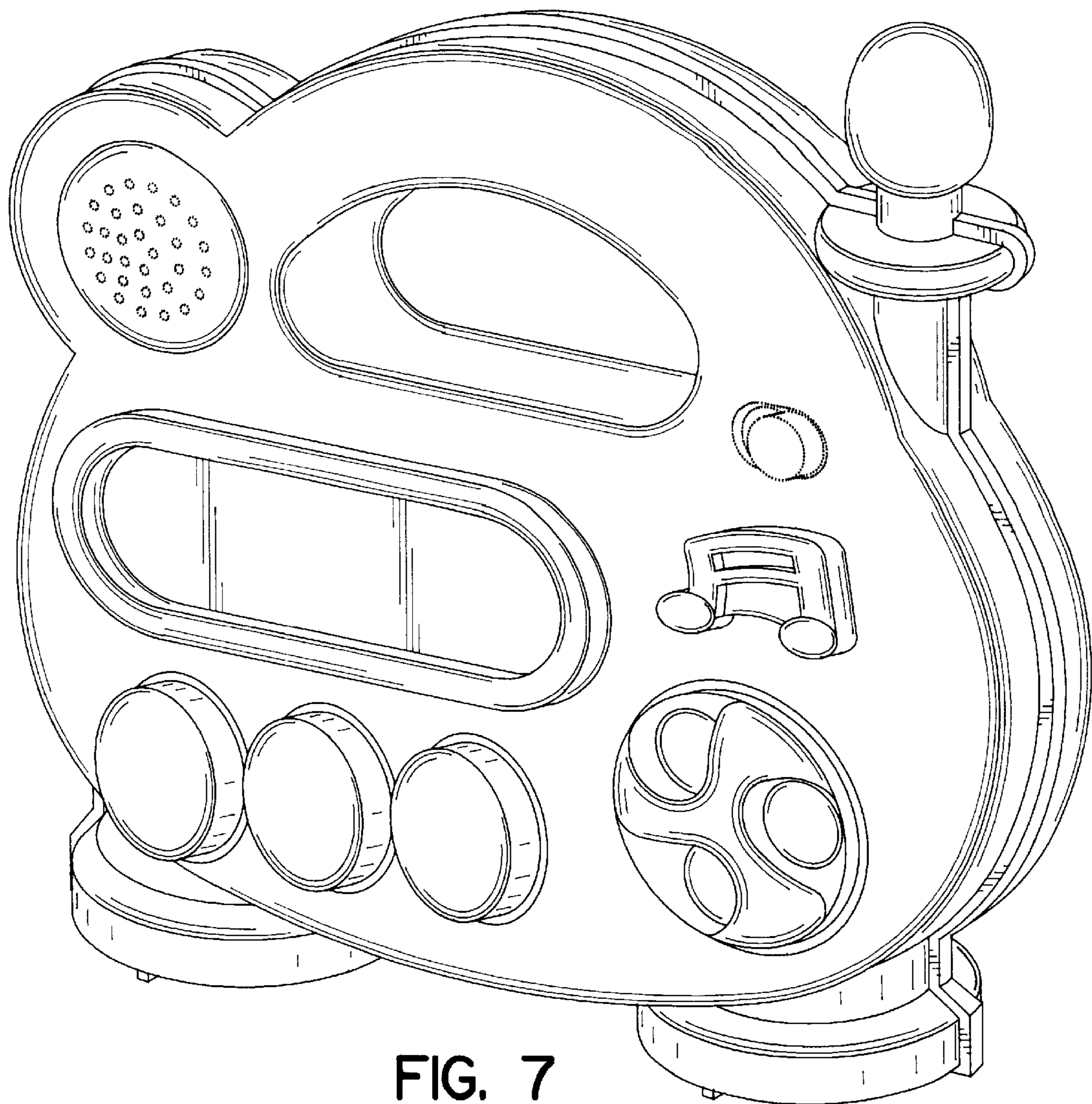


FIG. 7