



US00D413940S

# United States Patent [19] Yip

[11] **Patent Number: Des. 413,940**

[45] **Date of Patent: \*\* Sep. 14, 1999**

[54] **STAND FOR A NURSERY MOBILE**

[75] Inventor: **Alan C. W. Yip**, Kwai Chung, The Hong Kong Special Administrative Region of the People's Republic of China

[73] Assignee: **Found Express Industries Limited**, Kwai Chung, The Hong Kong Special Administrative Region of the People's Republic of China

[\*\*] Term: **14 Years**

[21] Appl. No.: **29/095,113**

[22] Filed: **Oct. 16, 1998**

[51] **LOC (6) Cl.** ..... **21-01**

[52] **U.S. Cl.** ..... **D21/467**

[58] **Field of Search** ..... D21/467, 475, D21/476; 446/227, 236; 40/414, 614

[56] **References Cited**

**U.S. PATENT DOCUMENTS**

D. 336,495	6/1993	Raiffe et al.	.....	D21/467
D. 356,346	3/1995	Yip	.....	D21/467
5,803,786	9/1998	McCormick	.....	446/227

*Primary Examiner*—Dominic Simone  
*Attorney, Agent, or Firm*—Alix, Yale & Ristas, LLP

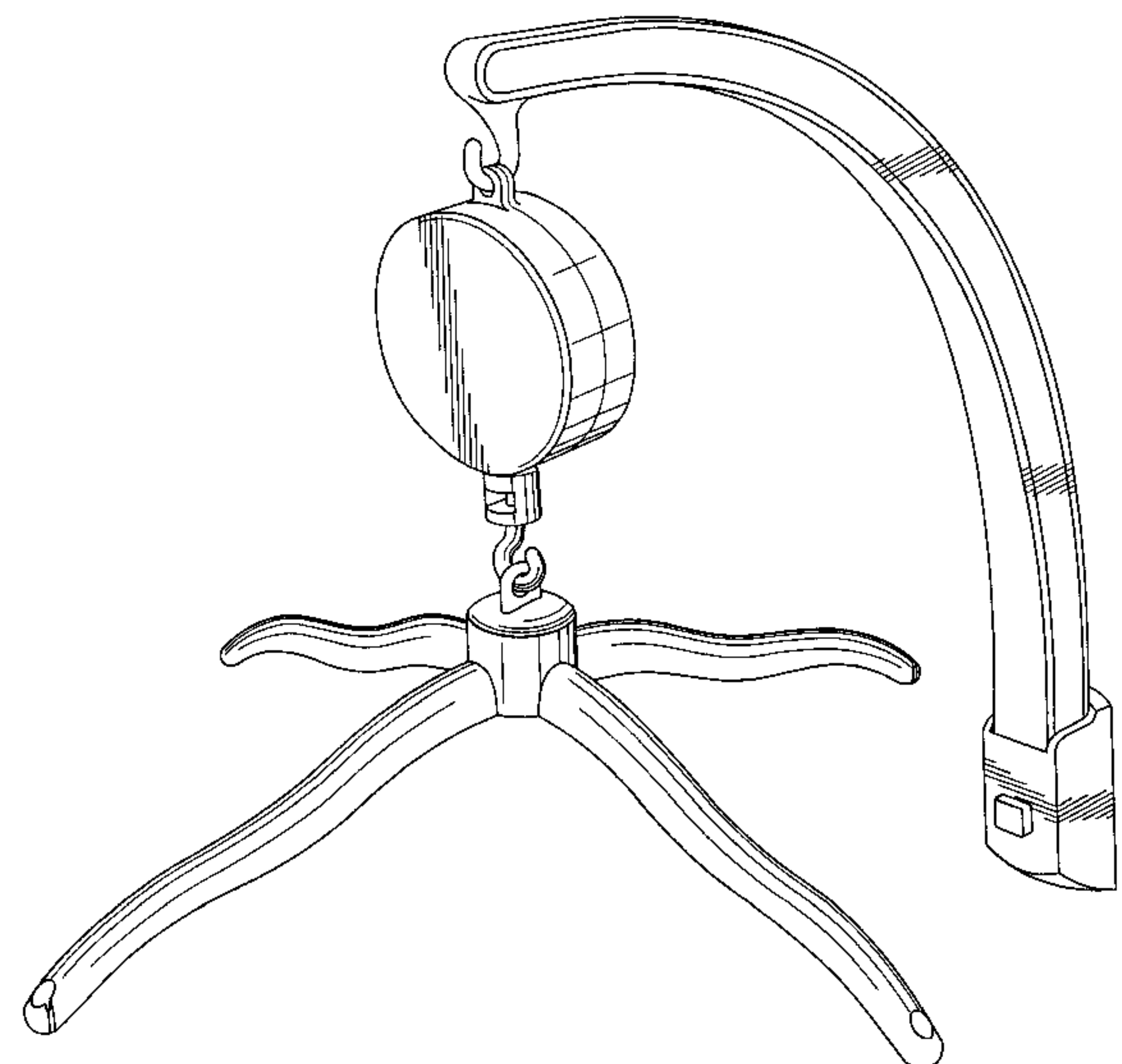
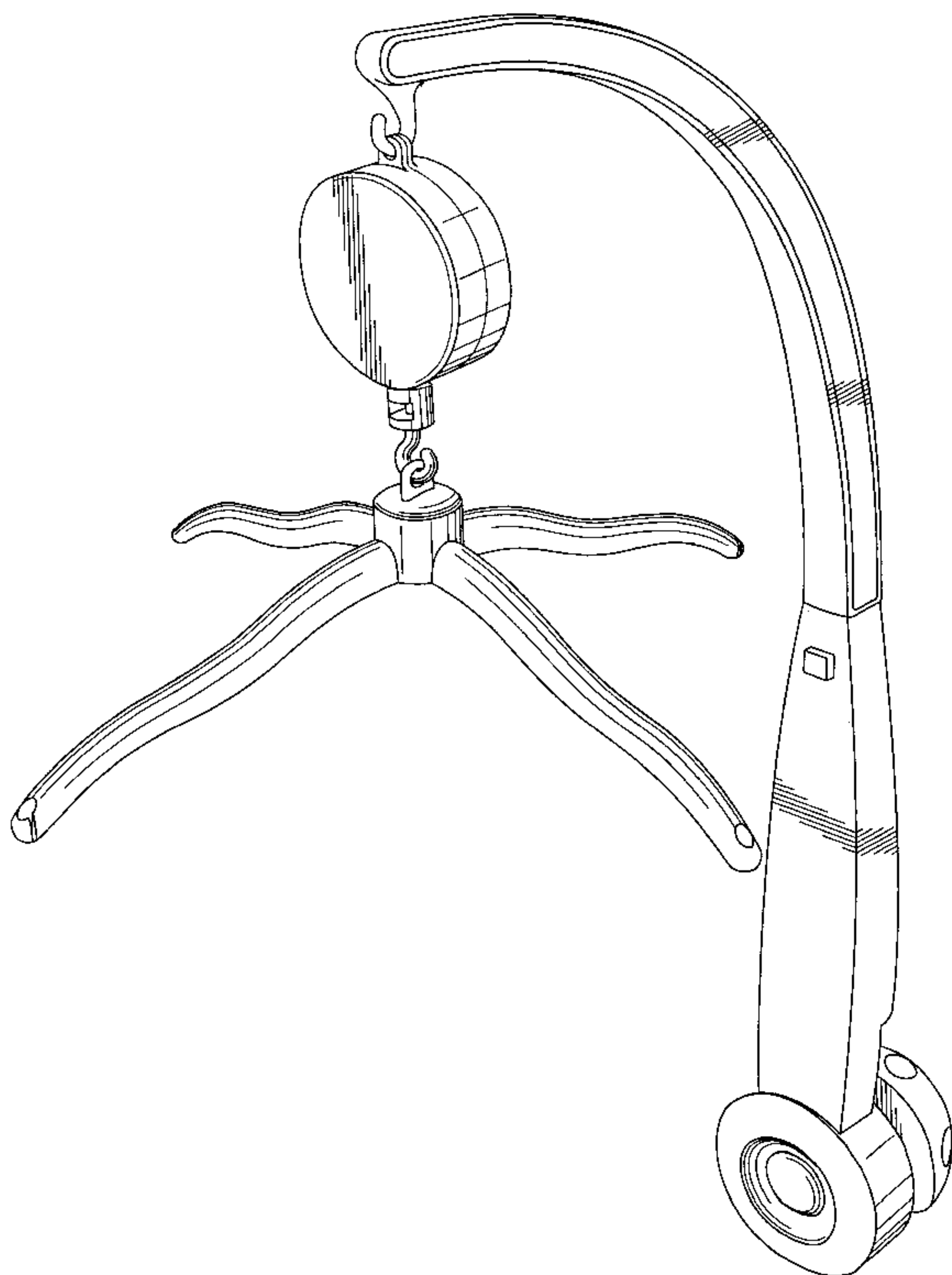
[57] **CLAIM**

The ornamental design for stand for a nursery mobile, as shown and described.

**DESCRIPTION**

FIG. 1 is a rear perspective view of a stand for a nursery mobile showing my new design;  
 FIG. 2 is a front elevational view thereof;  
 FIG. 3 is a rear elevational view thereof;  
 FIG. 4 is a right side elevational view thereof;  
 FIG. 5 is a left side elevational view thereof;  
 FIG. 6 is a top plan view thereof;  
 FIG. 7 is a bottom plan view thereof;  
 FIG. 8 is a rear perspective view of a second embodiment of FIG. 1, the difference residing in the wall mounting means;  
 FIG. 9 is a left side elevational view of the wall mounting means, shown separately for clarity of illustration;  
 FIG. 10 is a right side elevational view of FIG. 9;  
 FIG. 11 is a rear elevational view of FIG. 9;  
 FIG. 12 is a front elevational view of FIG. 9;  
 FIG. 13 is a top plan view of FIG. 9; and  
 FIG. 14 is a bottom plan view of a FIG. 9.

**1 Claim, 8 Drawing Sheets**



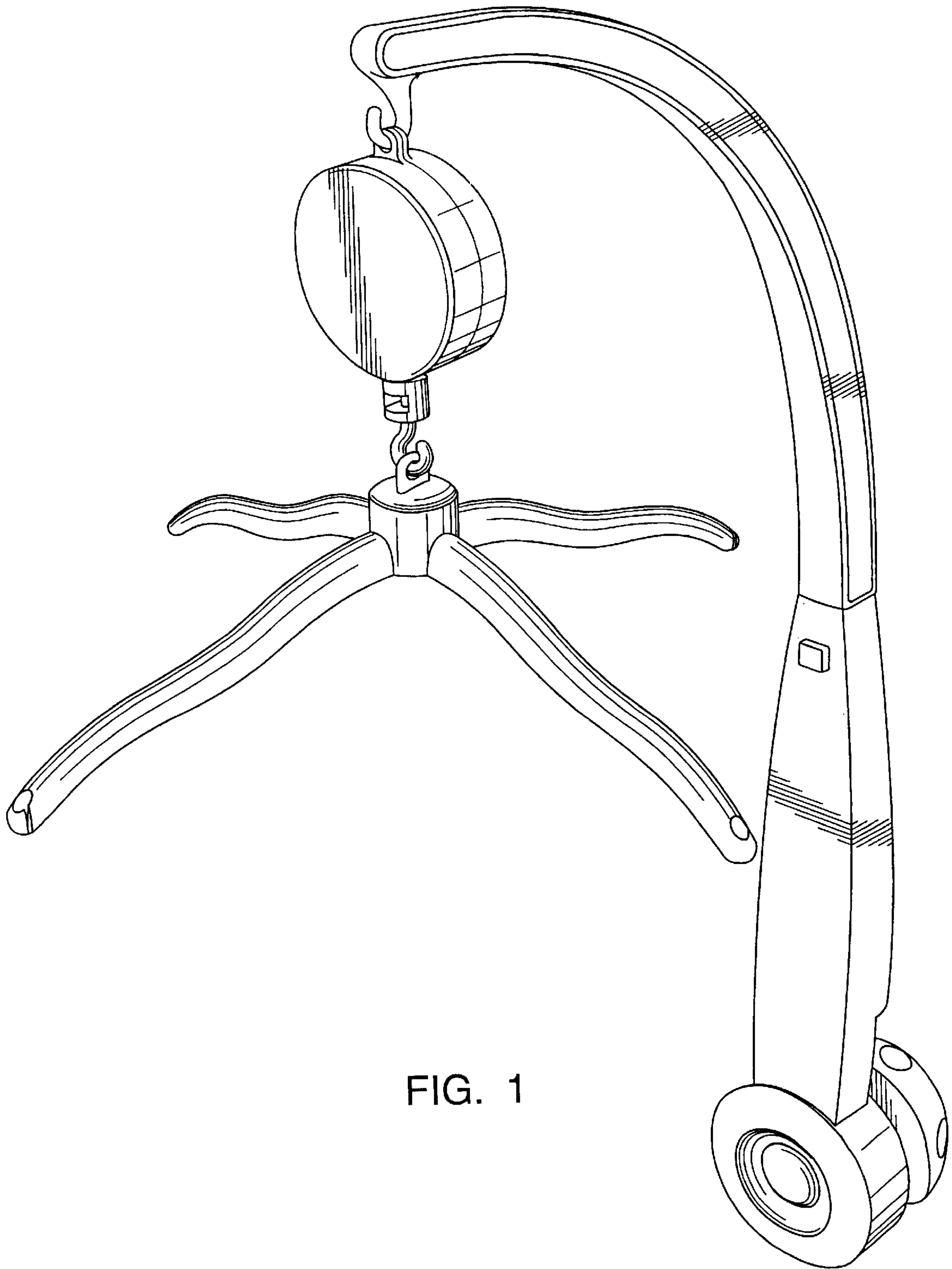


FIG. 1

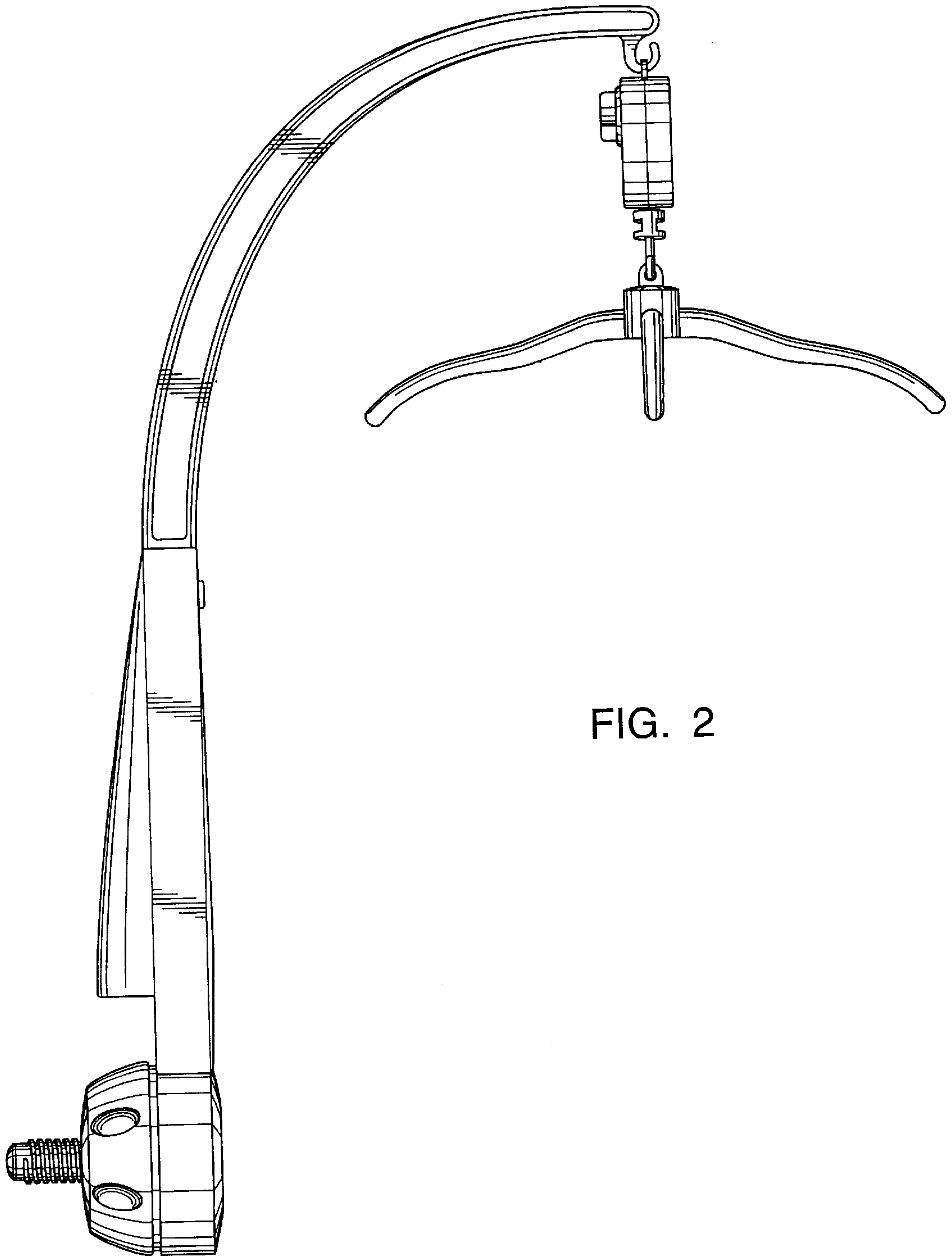


FIG. 2

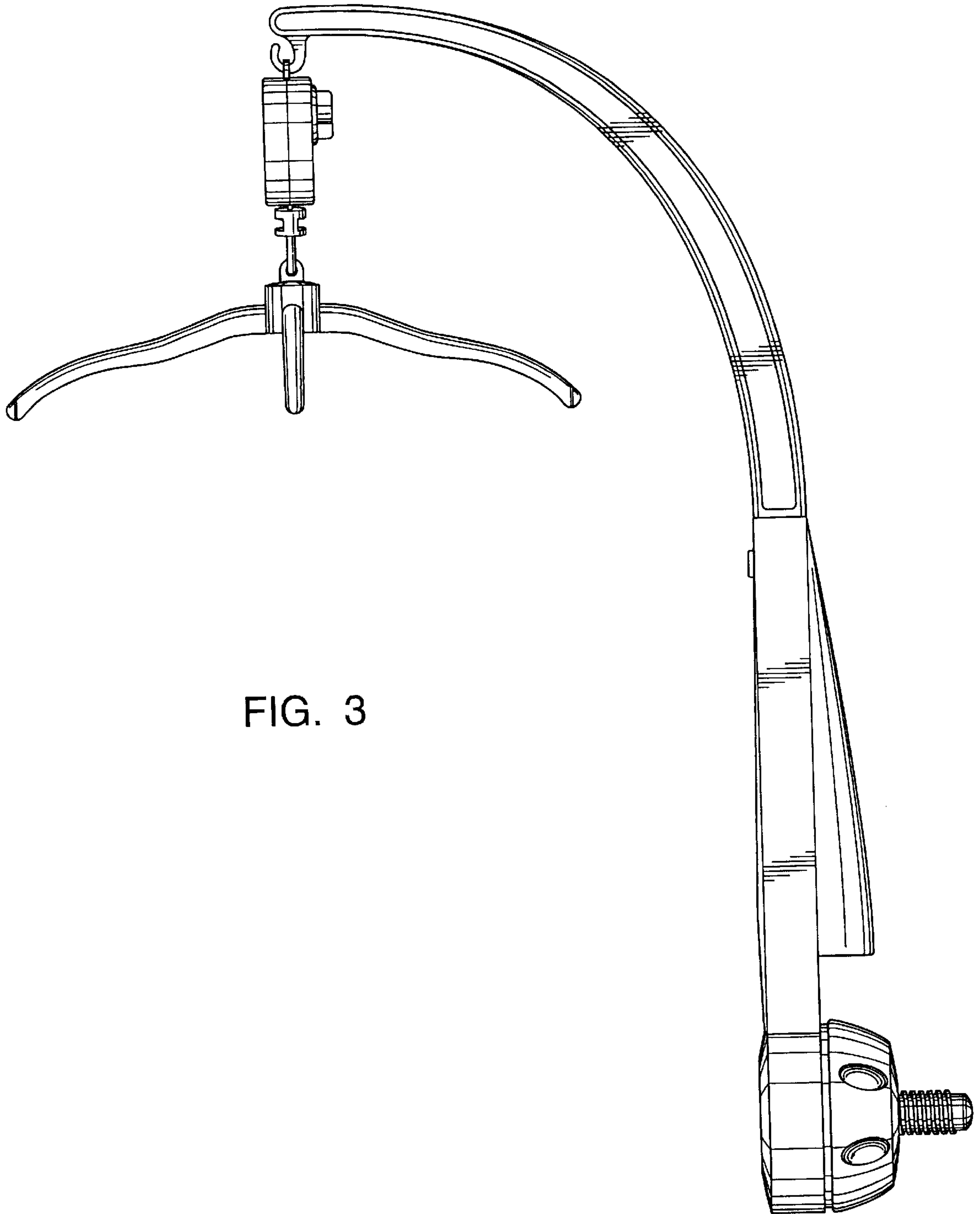


FIG. 3

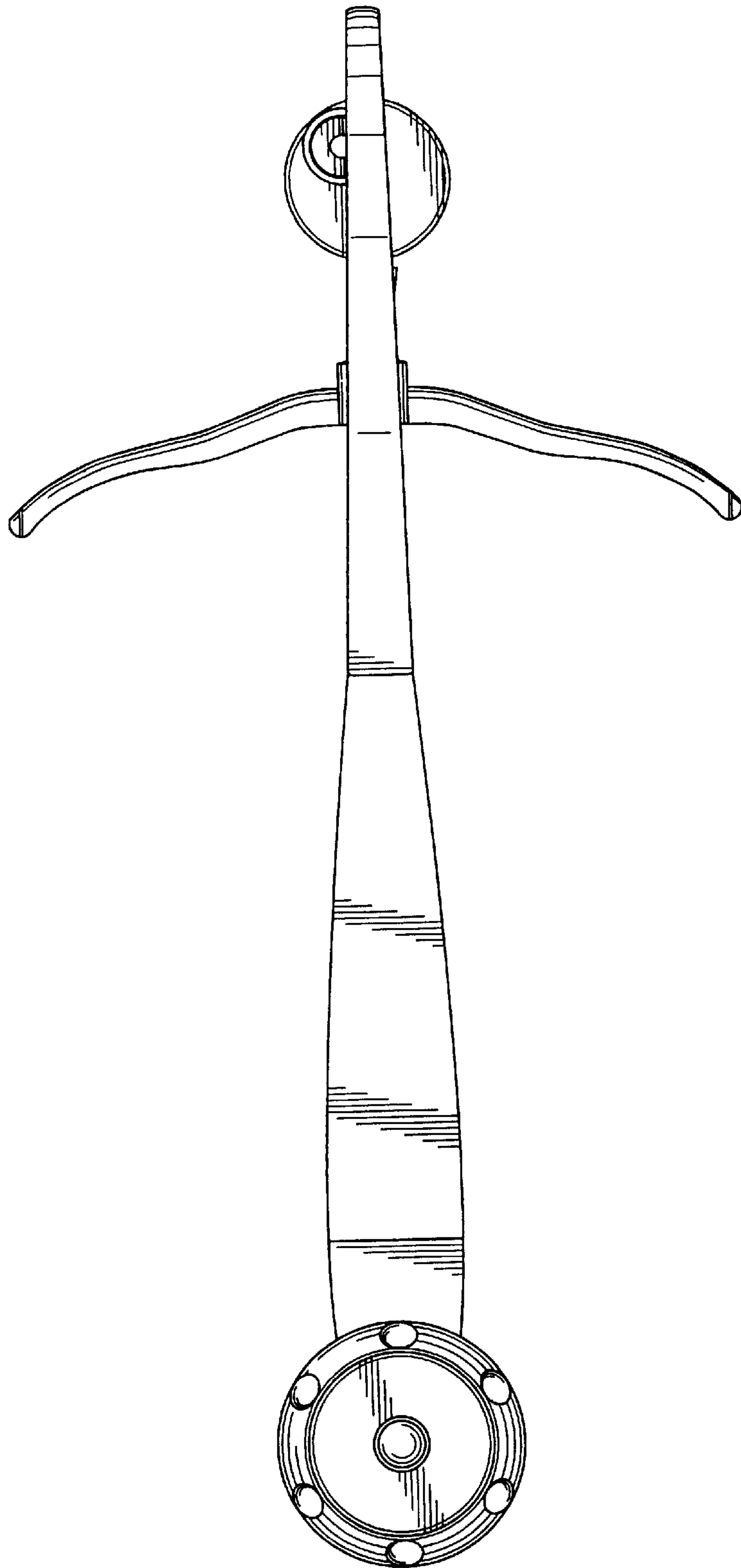


FIG. 4

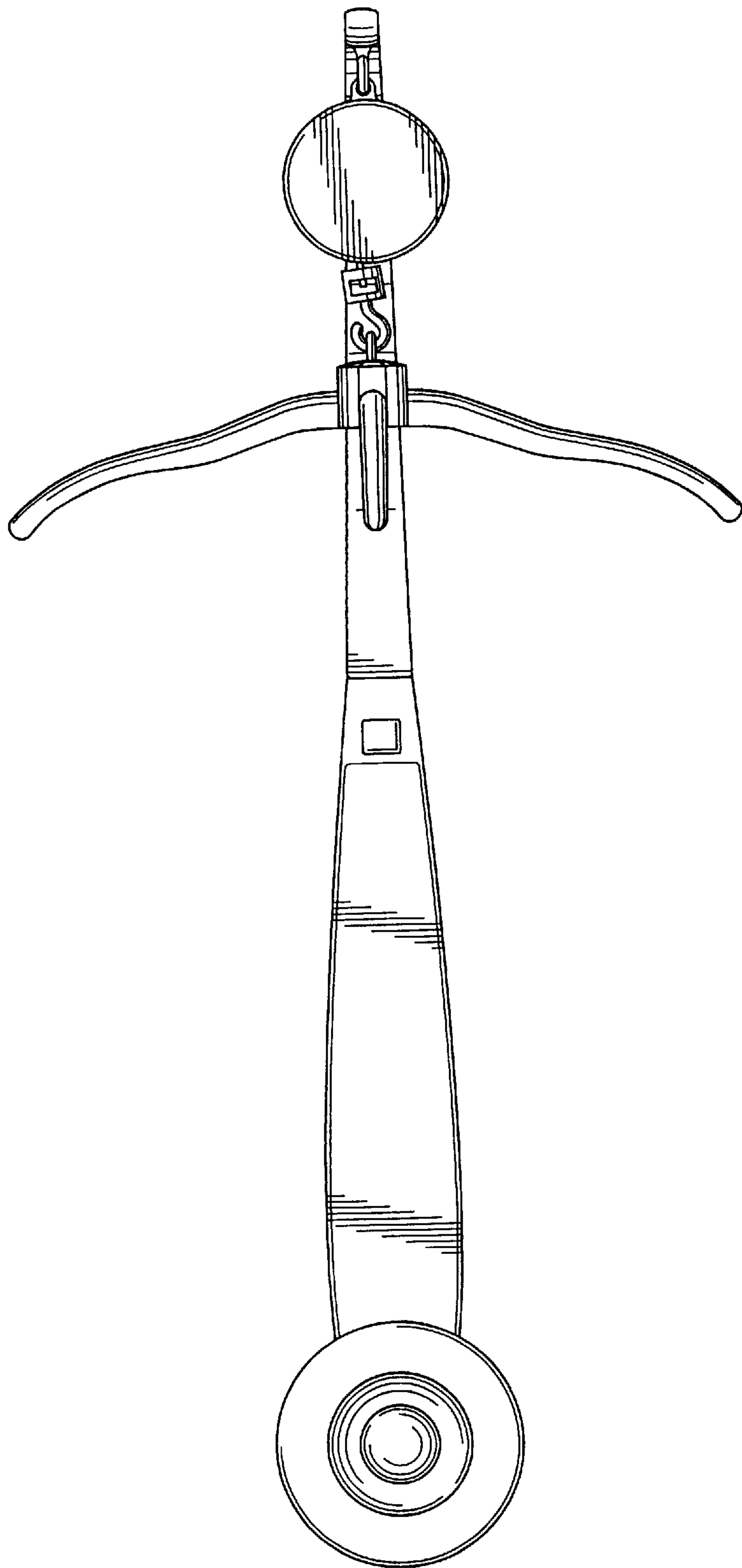


FIG. 5



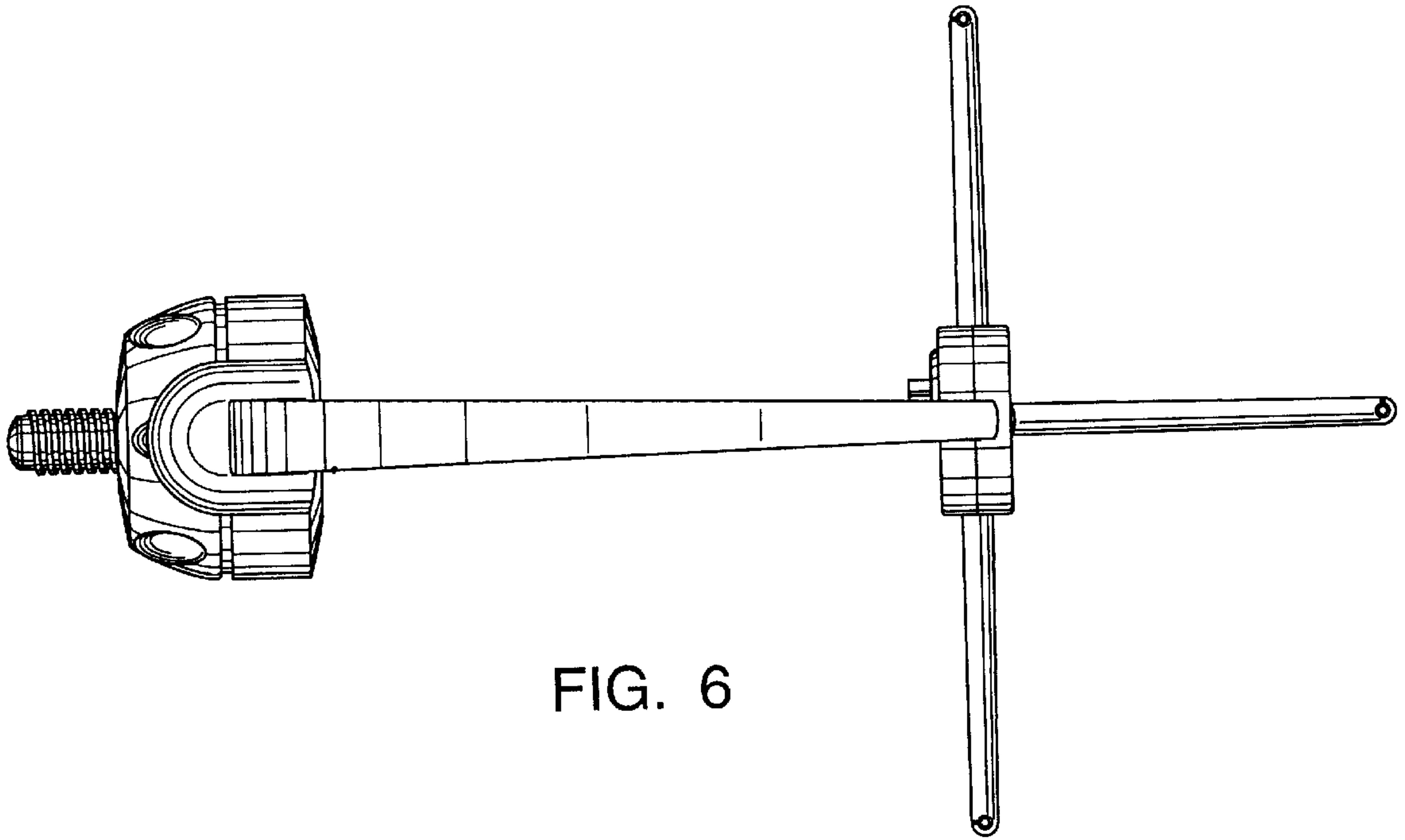


FIG. 6

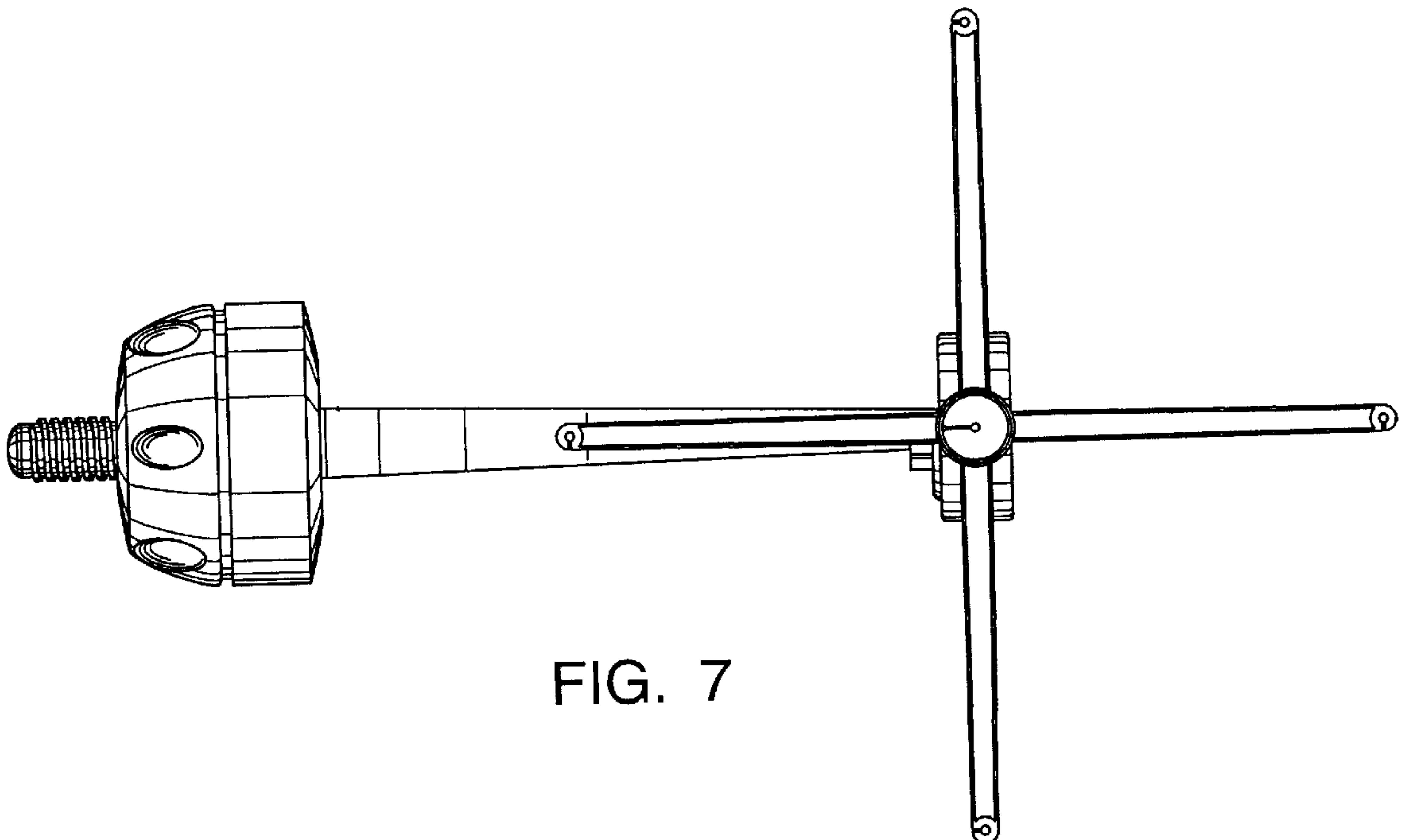


FIG. 7

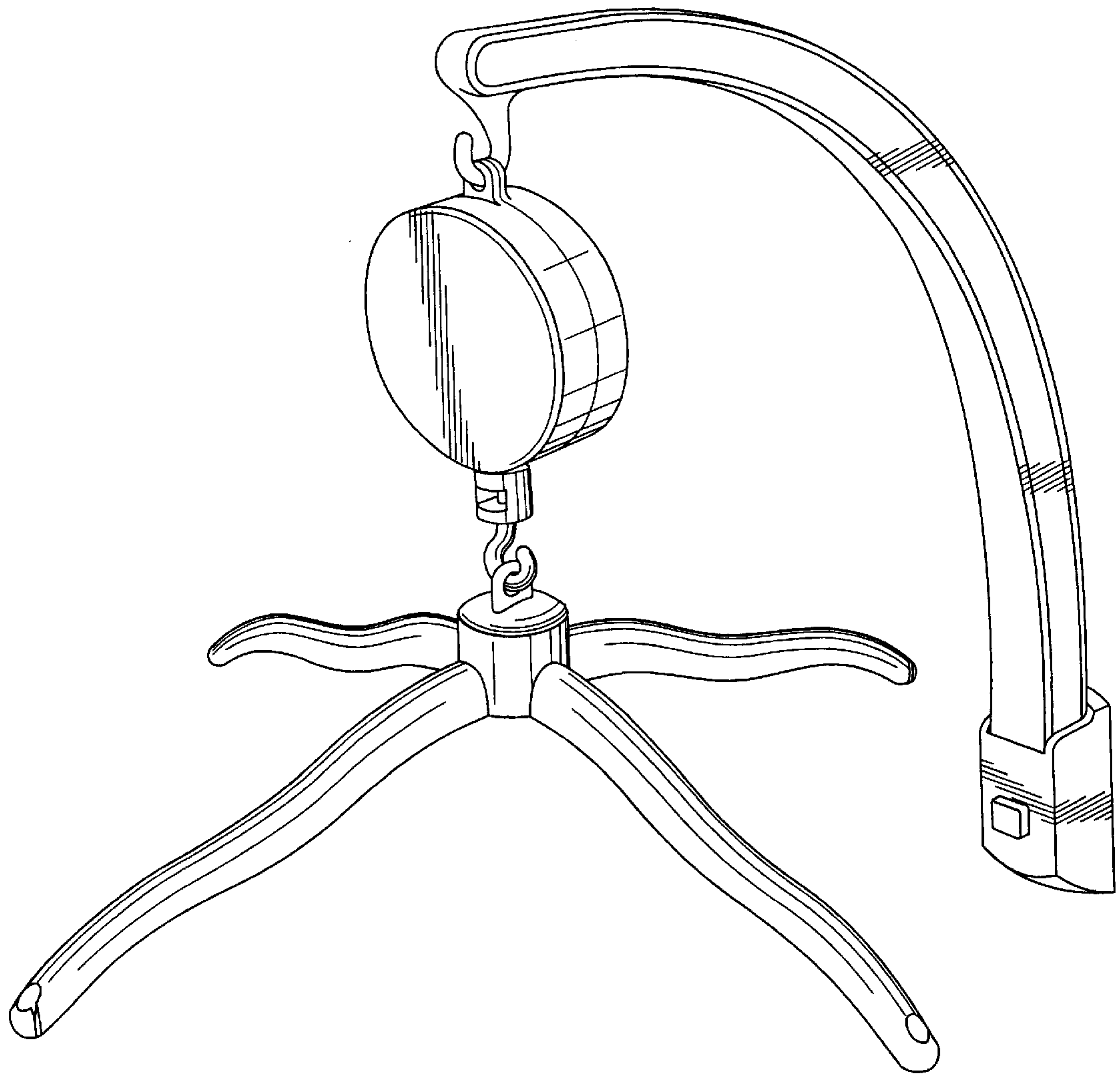


FIG. 8



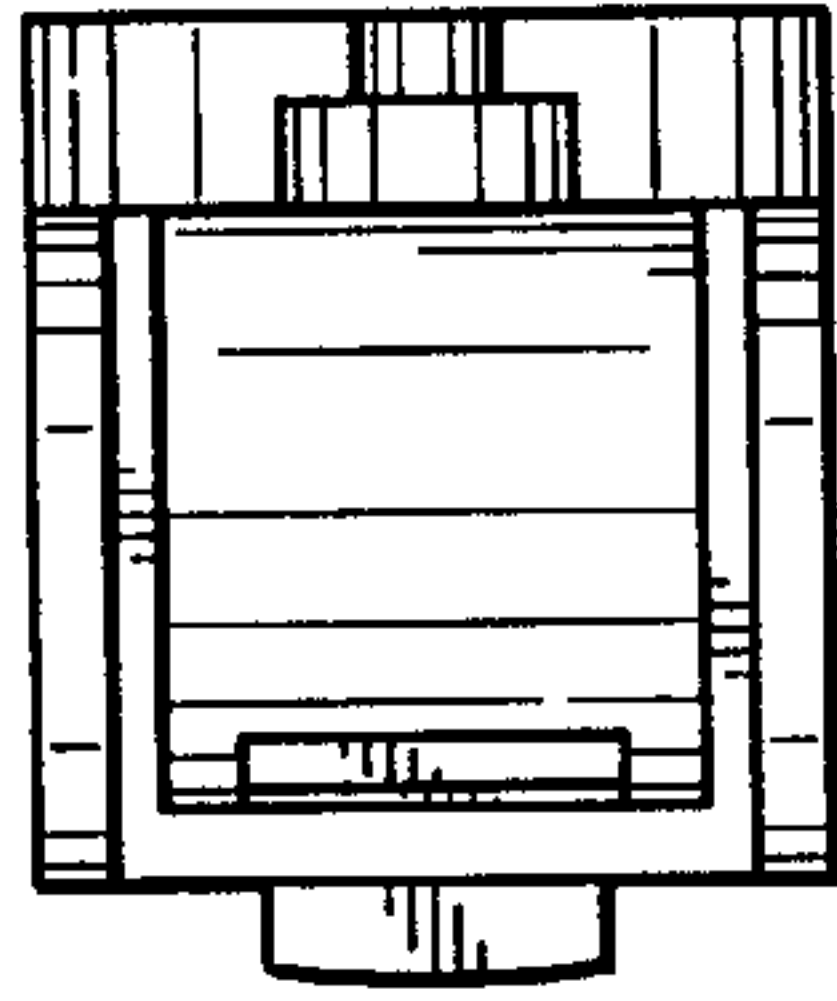


FIG. 13

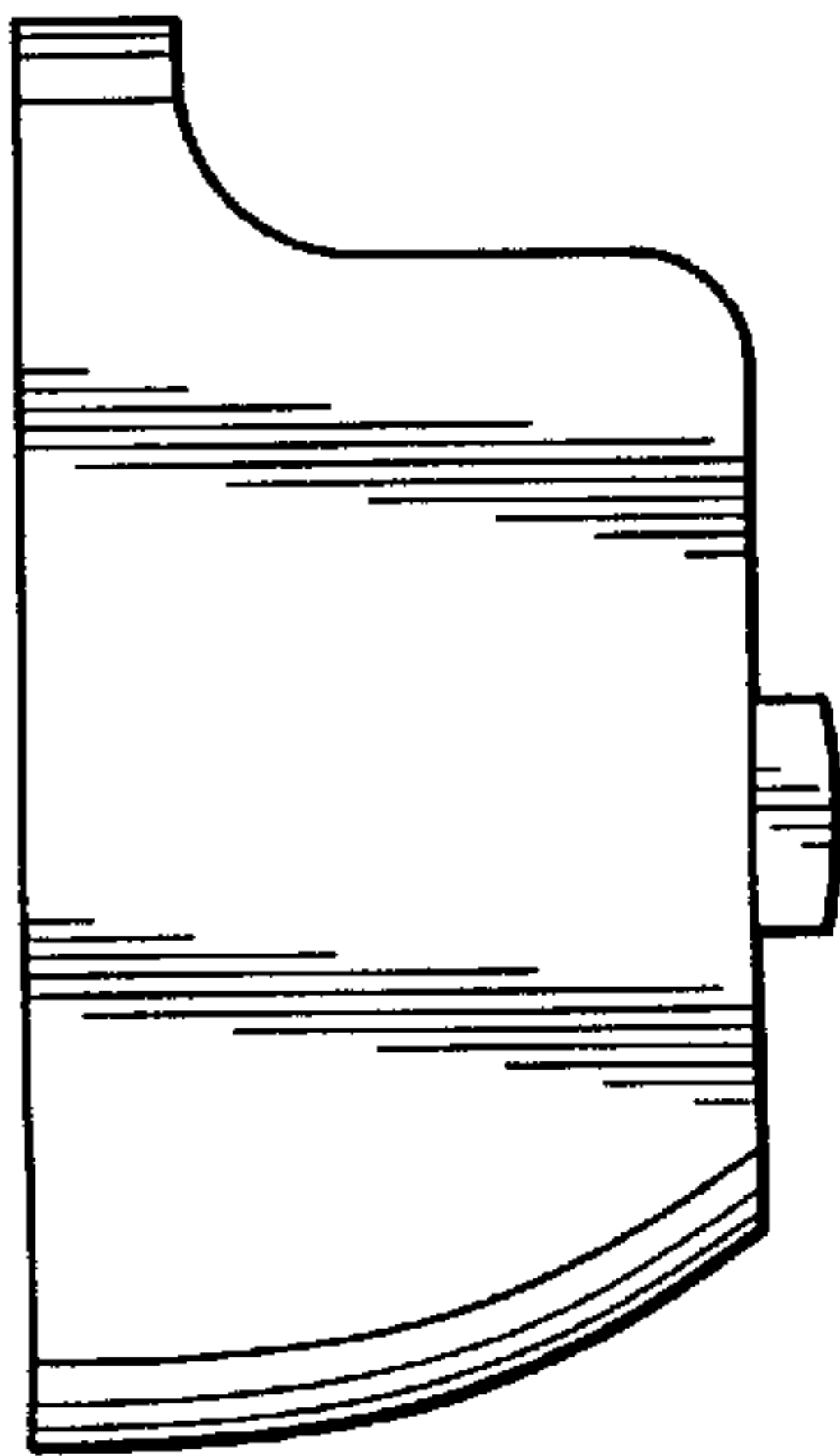


FIG. 12

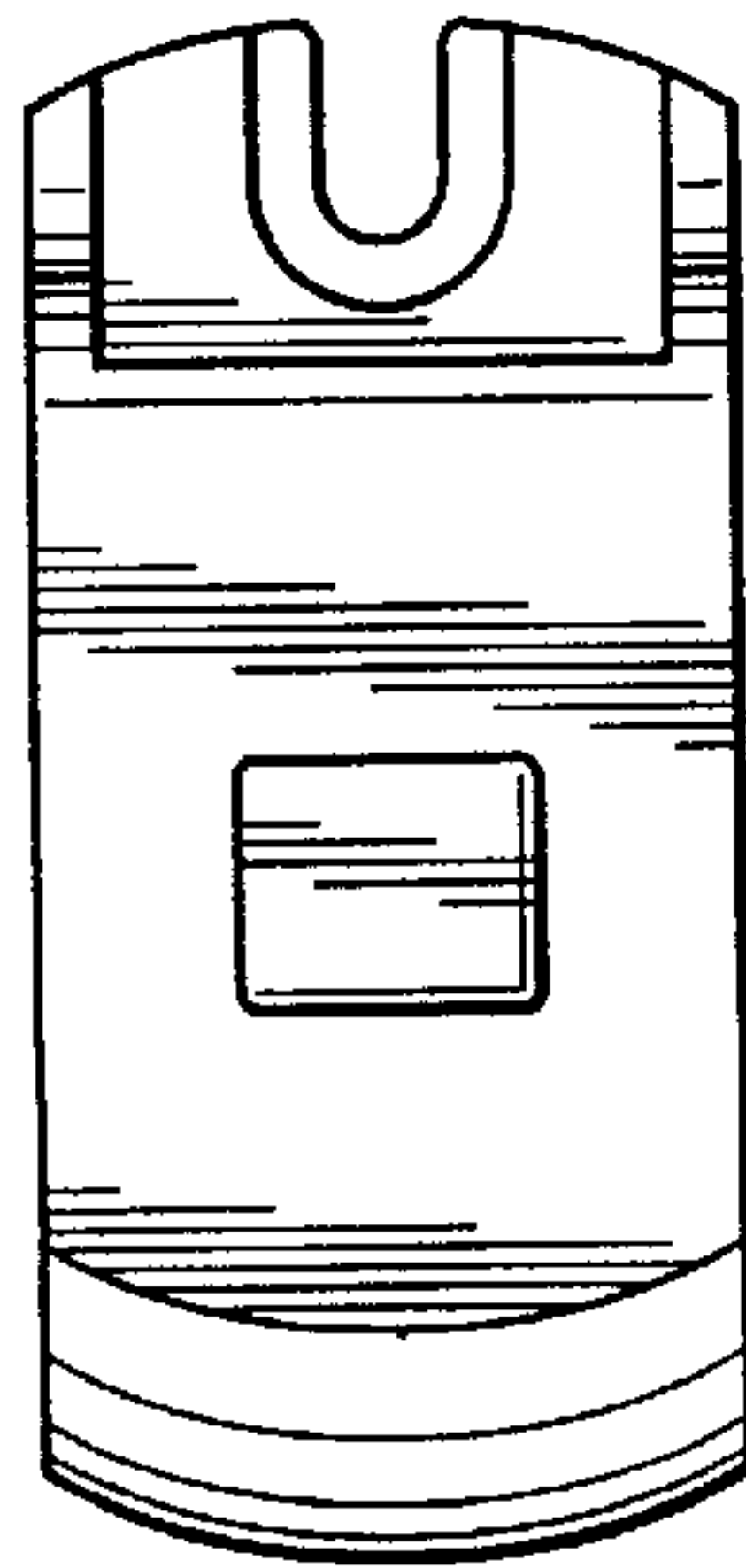


FIG. 9

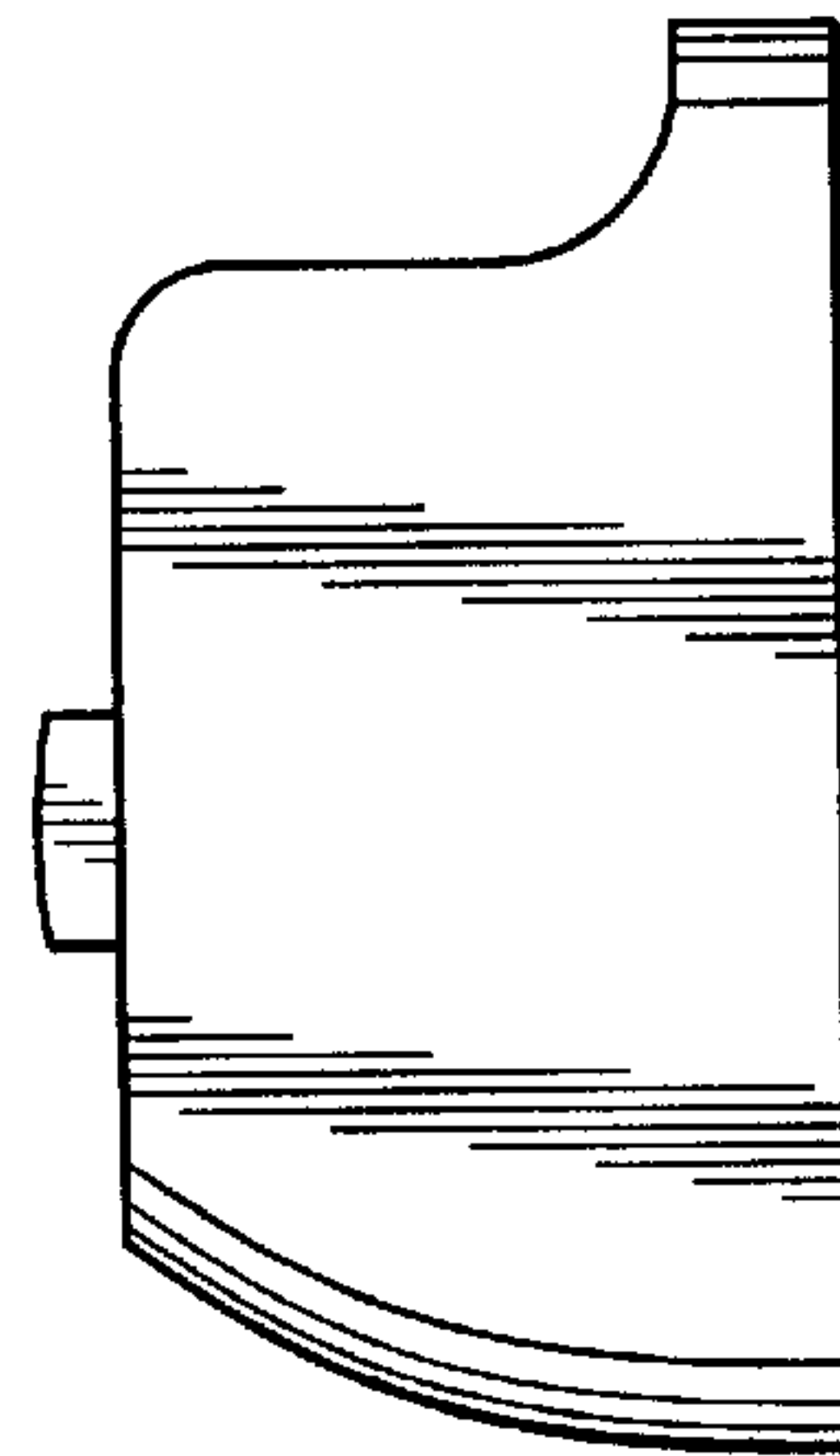


FIG. 11

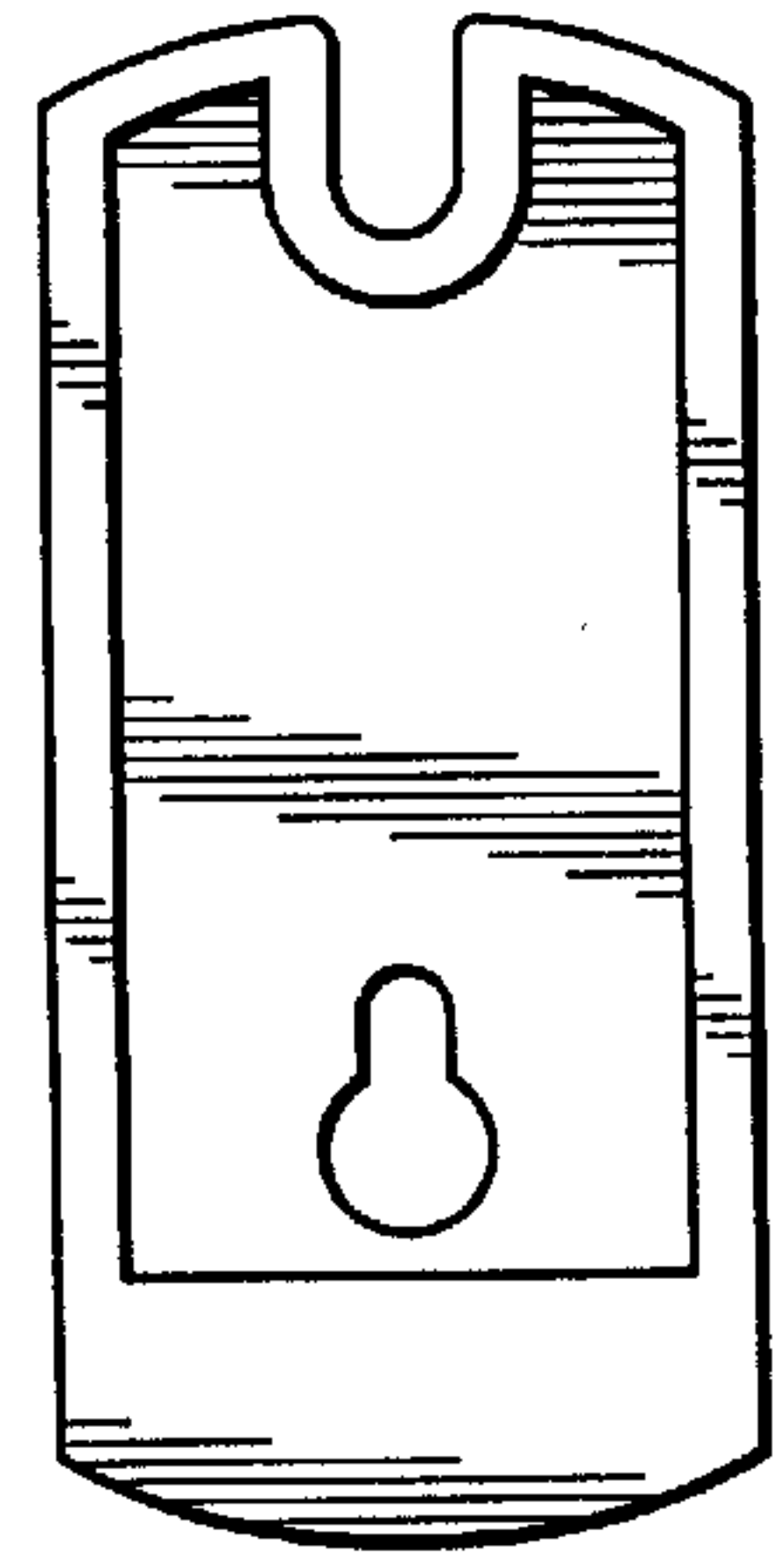


FIG. 10

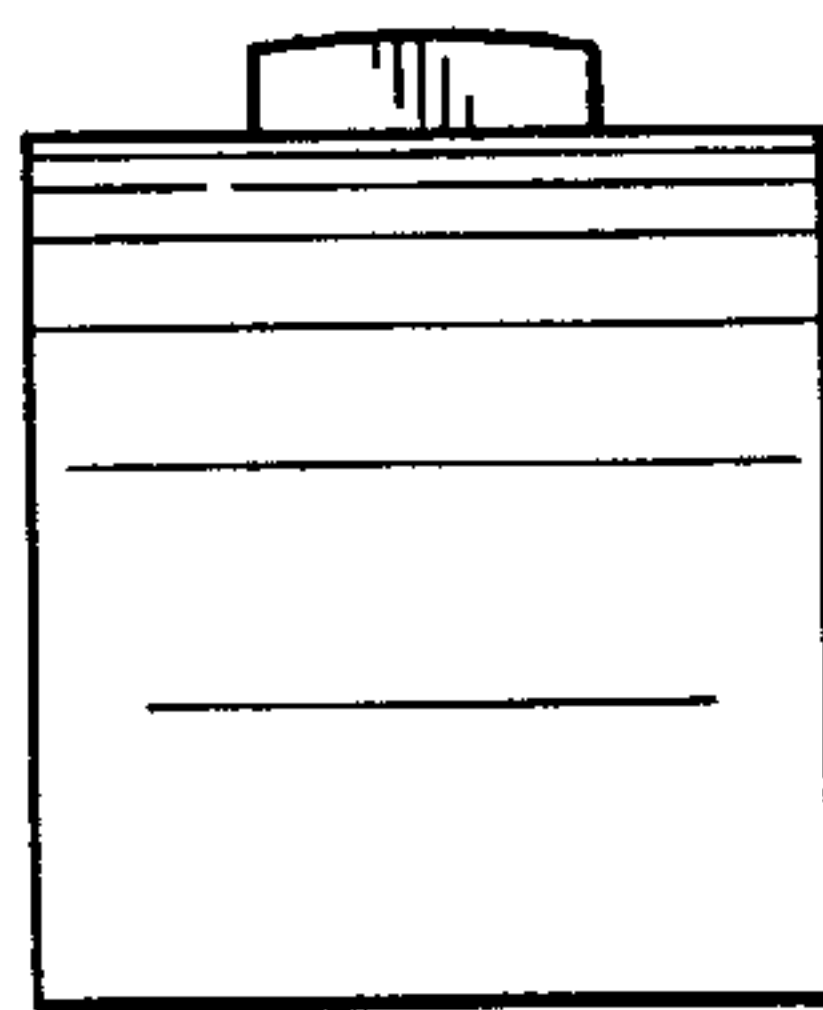


FIG. 14