



US00D413938S

United States Patent [19] Tam

[11] Patent Number: **Des. 413,938**

[45] Date of Patent: **** Sep. 14, 1999**

[54] **GAME SAVE TRANSFER DEVICE FOR AN ELECTRONIC GAME SYSTEM**

4,882,473	11/1989	Bergeron et al.	463/148 B X
5,393,073	2/1995	Best	463/42 X
5,599,232	2/1997	Darling	463/44
5,782,692	7/1998	Stelovsky	463/1

[75] Inventor: **Rossetta Tam**, Kwai Chung, The Hong Kong Special Administrative Region of the People's Republic of China

Primary Examiner—Prabhakar Deshmukh
Attorney, Agent, or Firm—Leydig, Voit & Mayer, Ltd.

[73] Assignee: **STD Manufacturing Ltd.**, Kwai Chung, The Hong Kong Special Administrative Region of the People's Republic of China

[57] CLAIM

The ornamental design for a game save transfer device for an electronic game system, as shown.

[**] Term: **14 Years**

DESCRIPTION

[21] Appl. No.: **29/095,864**

FIG. 1 is a front elevational view of the game save transfer device for an electronic game system of the present invention;

[22] Filed: **Oct. 30, 1998**

FIG. 2 is a rear elevational view of the game save transfer device for an electronic game system of FIG. 1;

[51] **LOC (6) Cl.** **21-01**

[52] **U.S. Cl.** **D21/333**

[58] **Field of Search** D21/324, 332, D21/333; D14/114, 117, 124, 117.1, 100; 273/148 B; 463/1, 24, 29, 43-47

FIG. 3 is a left side elevational view of the game save transfer device for an electronic game system of FIG. 1;

FIG. 4 is a right side elevational view of the game save transfer device for an electronic game system of FIG. 1;

FIG. 5 is a bottom view of the game save transfer device for an electronic game system of FIG. 1;

FIG. 6 is a top view of the game save transfer device for an electronic game system of FIG. 1; and,

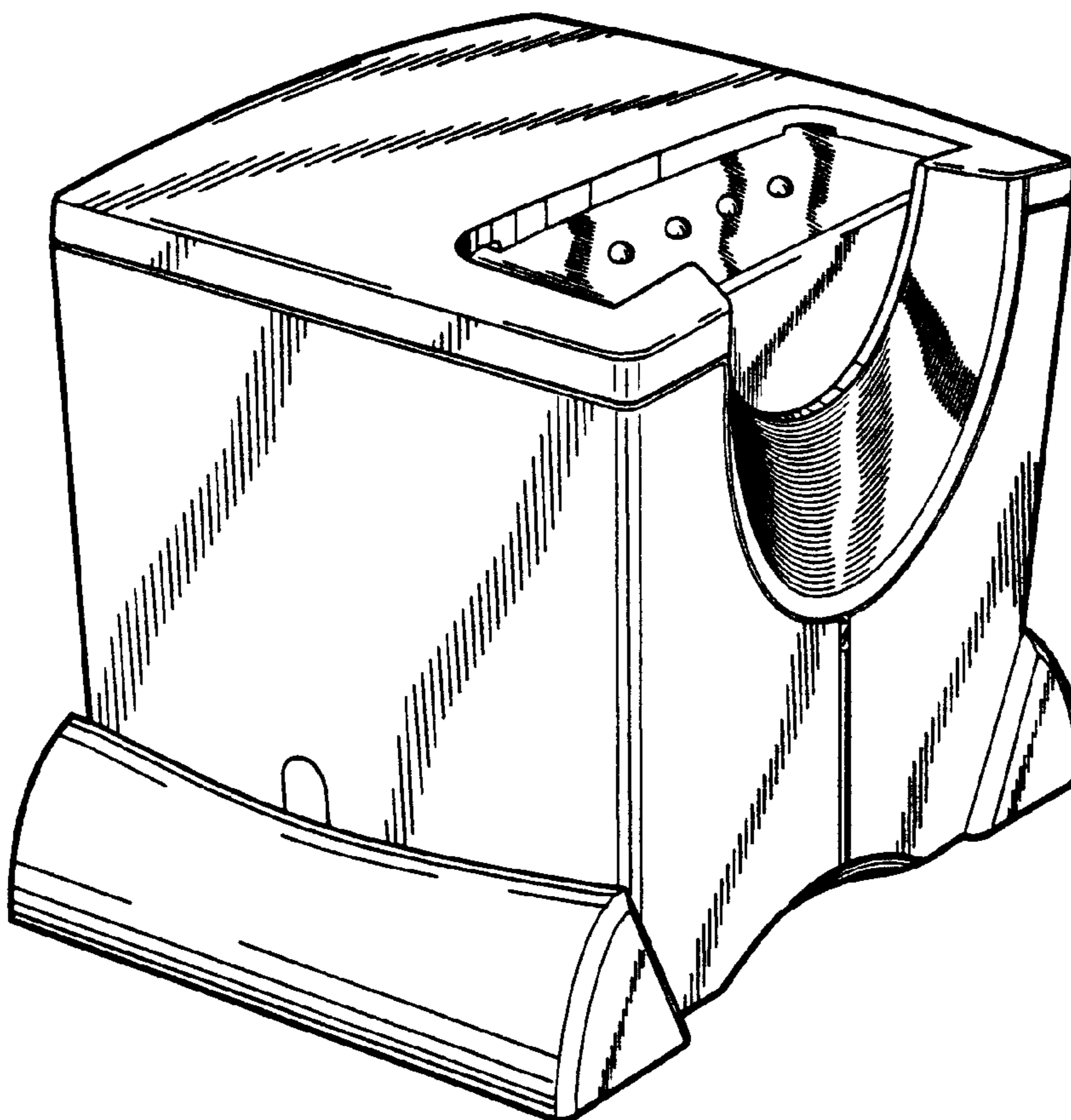
FIG. 7 is a left side perspective view of the game save transfer device for an electronic game system of FIG. 1.

[56] References Cited

U.S. PATENT DOCUMENTS

D. 354,315	1/1995	Nakanishi	D21/333 X
D. 385,309	10/1997	Riley et al.	D21/333
D. 392,965	3/1998	Copeland et al.	D14/117
4,596,390	6/1986	Studley	463/42
4,815,733	3/1989	Yokoi	463/47 X

1 Claim, 4 Drawing Sheets



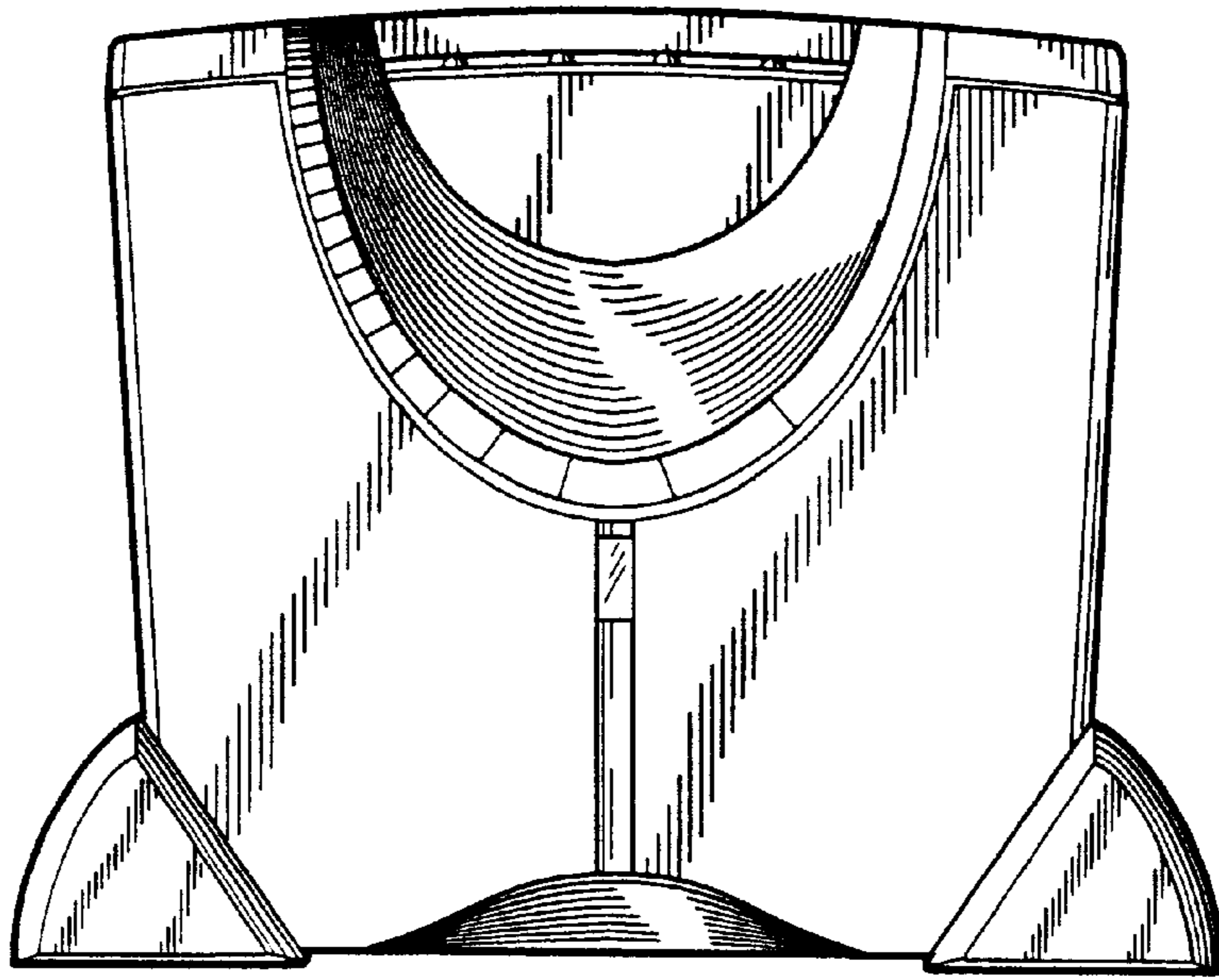


FIG. 1

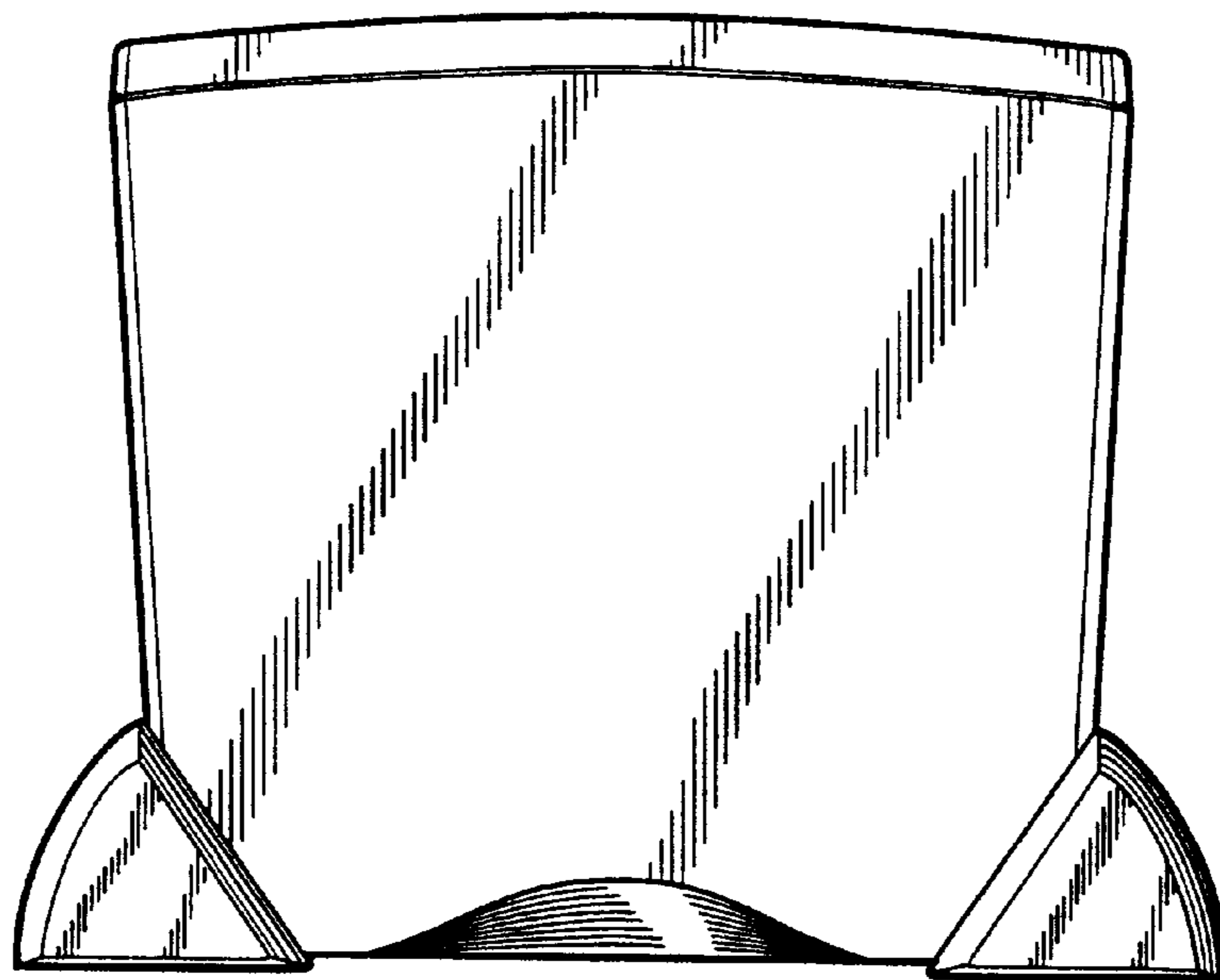


FIG. 2

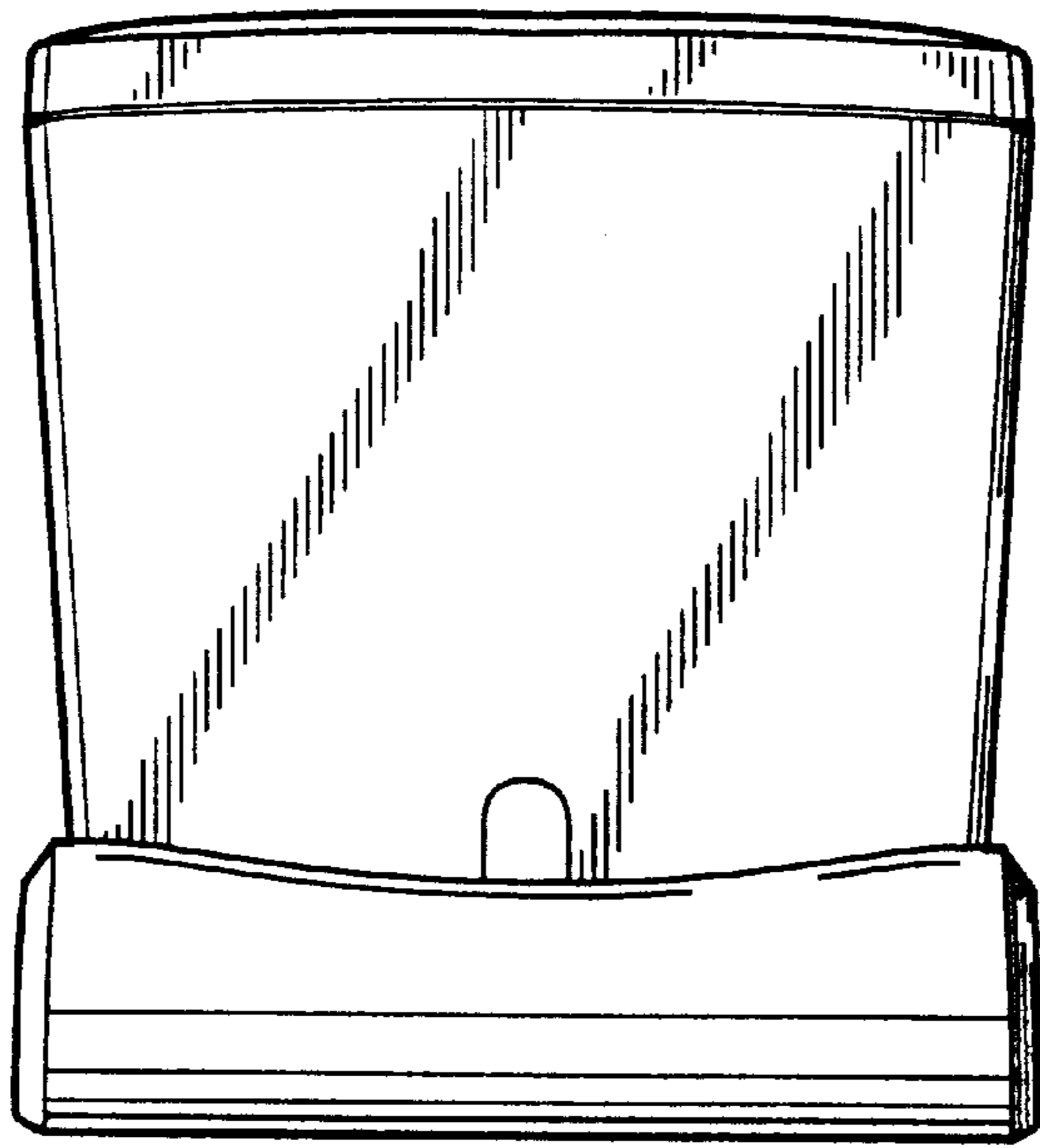


FIG. 3

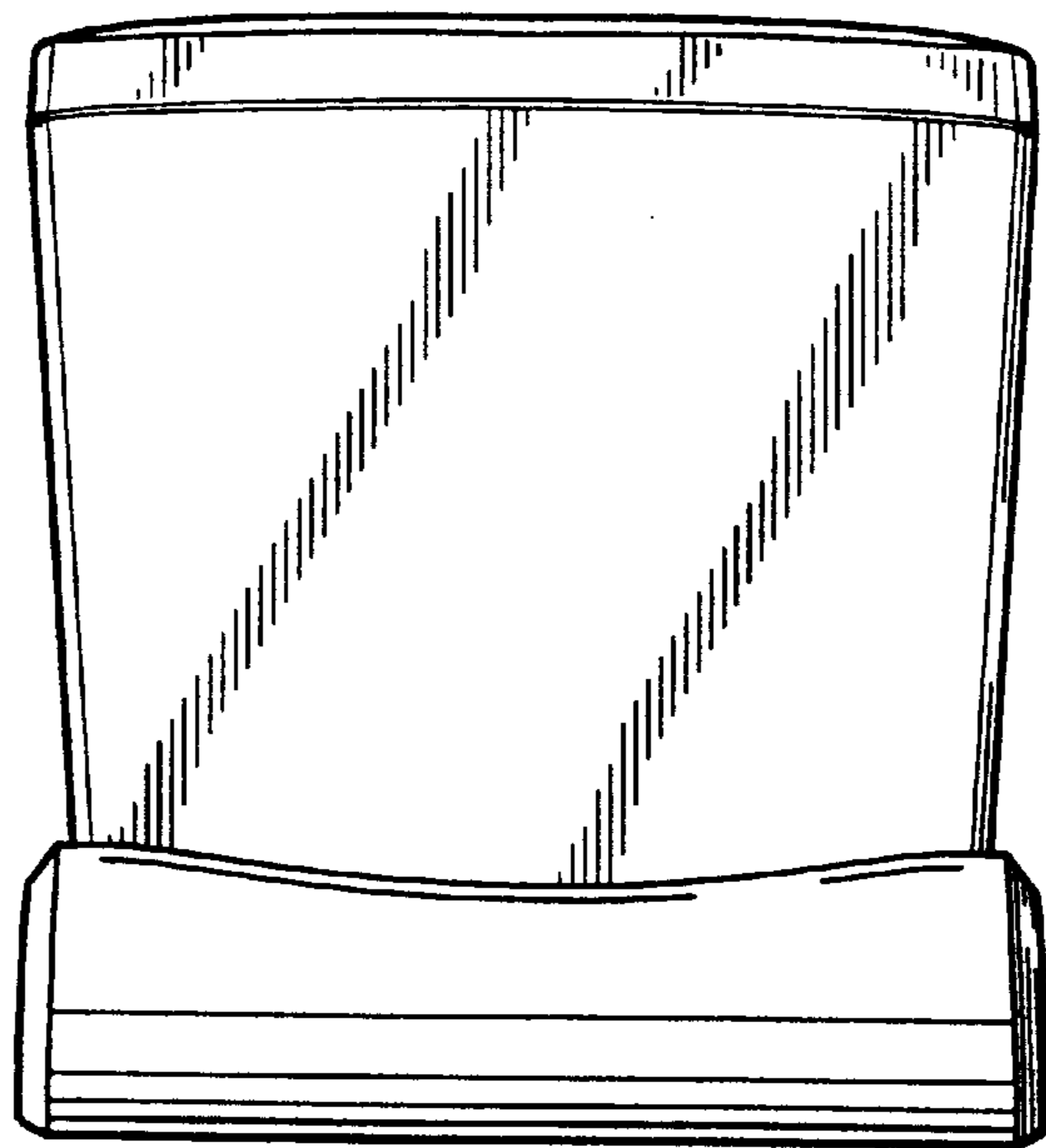


FIG. 4

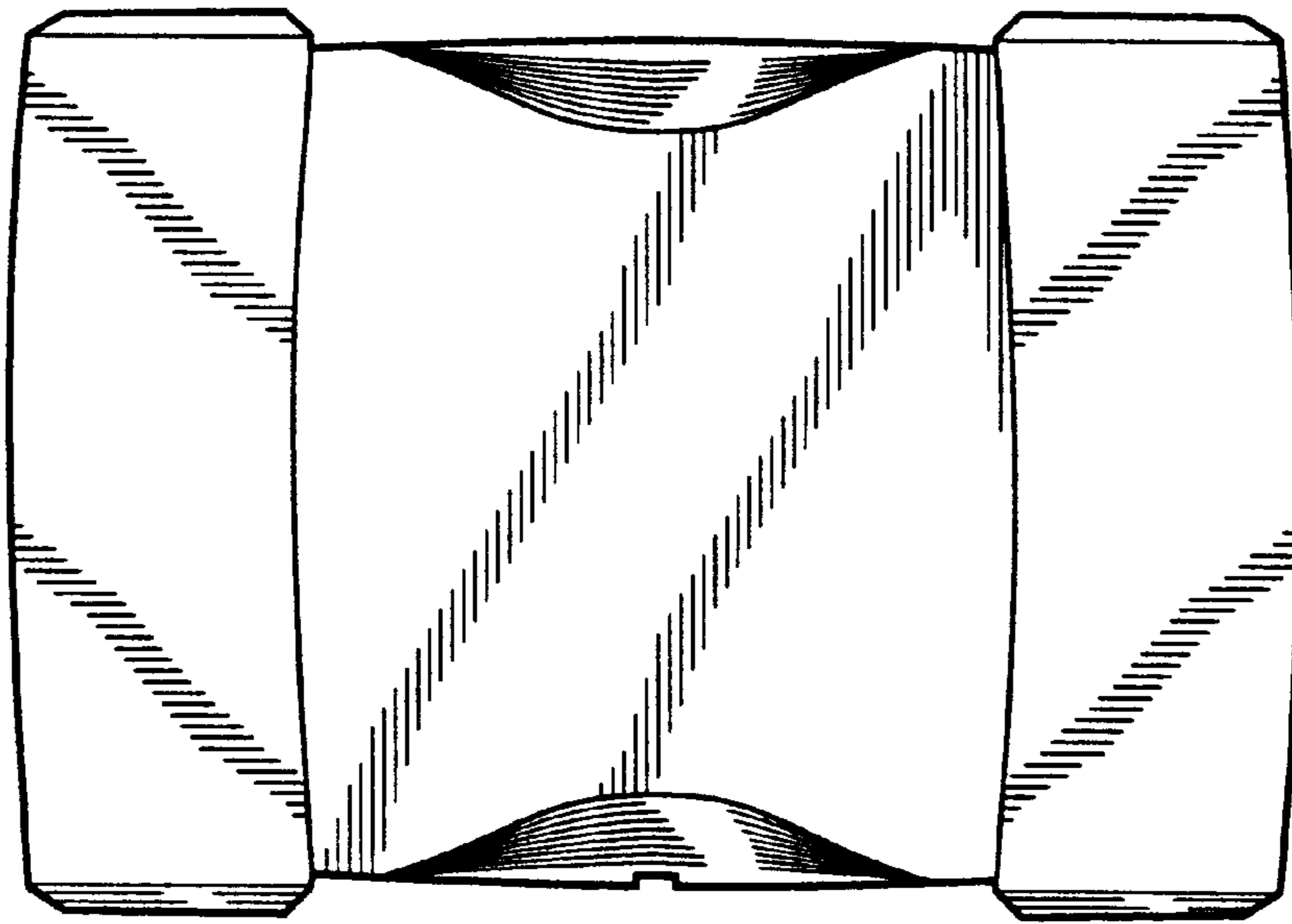


FIG. 5

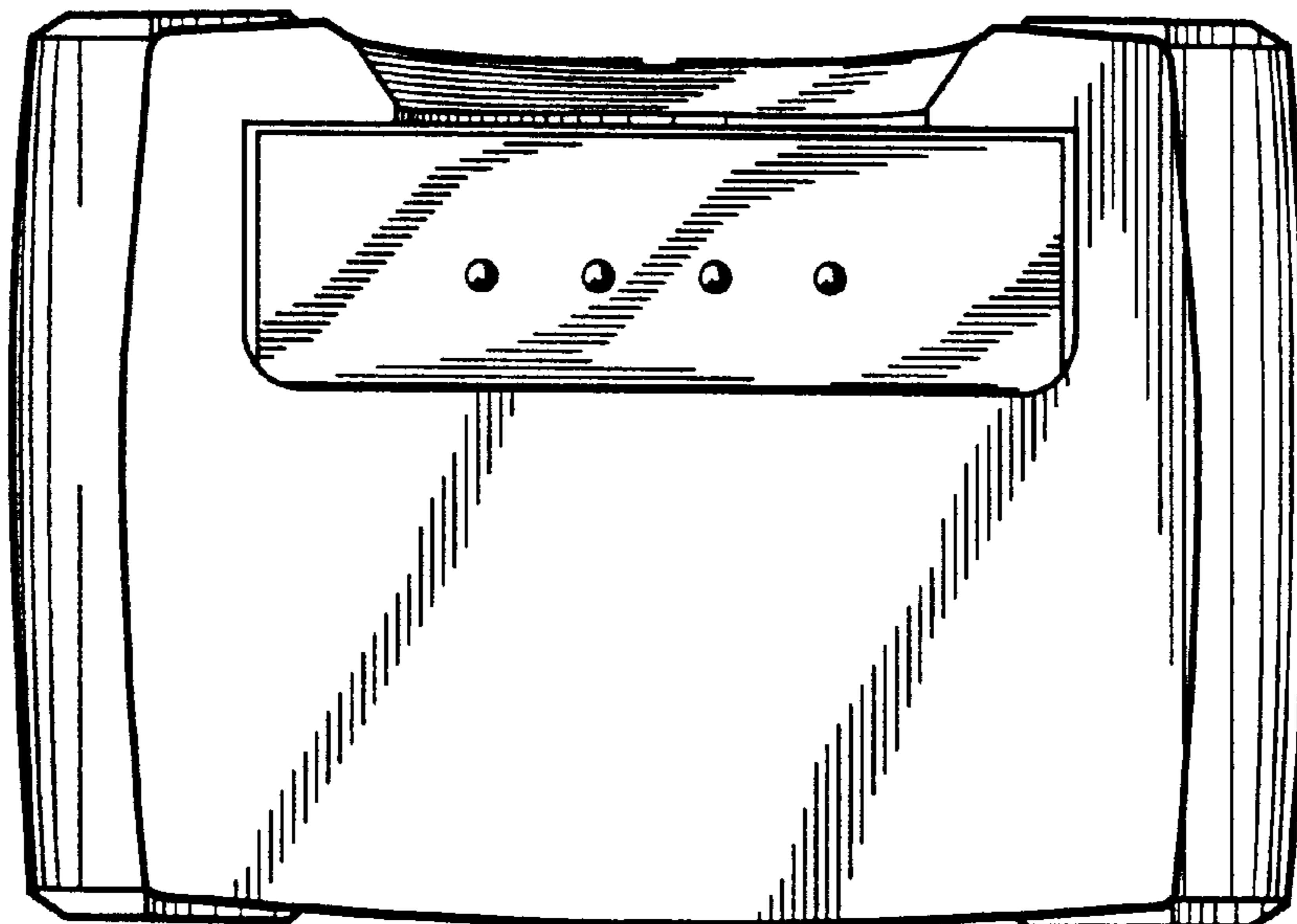


FIG. 6

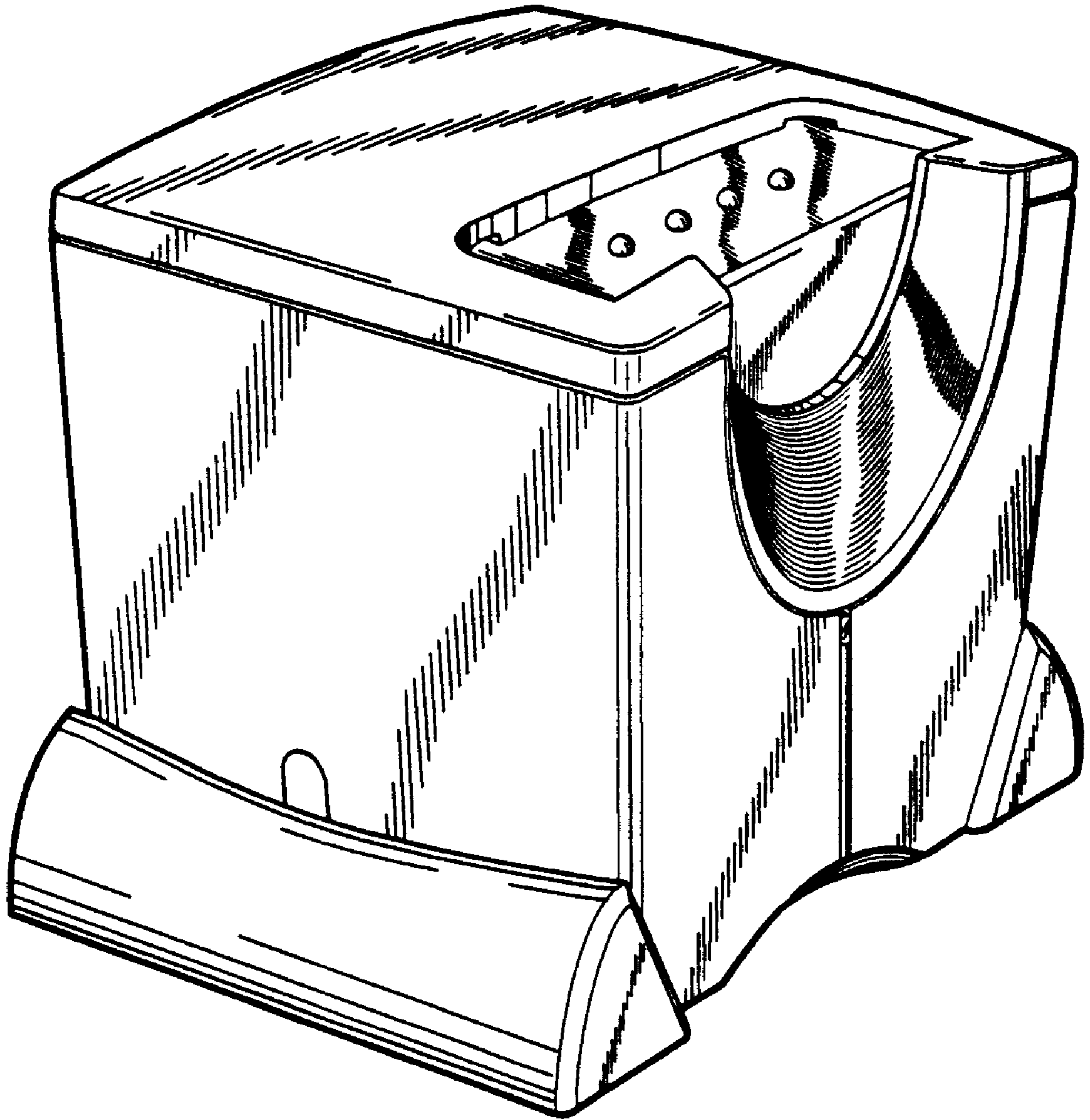


FIG. 7