



US00D413936S

# United States Patent [19] Uehara

[11] Patent Number: **Des. 413,936**

[45] Date of Patent: **\*\* Sep. 14, 1999**

[54] **GAME MACHINE**

5,584,763 12/1996 Kelly et al. .... 463/46 X

[75] Inventor: **Isao Uehara**, Zama, Japan

### OTHER PUBLICATIONS

Vending Times, p. 100, Oct. 1980.

[73] Assignee: **Konami Co., Ltd.**, Hgoyo-ken, Japan

*Primary Examiner*—Prabhakar Deshmukh  
*Attorney, Agent, or Firm*—Jordan and Hamburg LLP

[\*\*] Term: **14 Years**

[21] Appl. No.: **29/084,870**

### [57] CLAIM

The ornamental design for a game machine, as shown and described.

[22] Filed: **Mar. 12, 1998**

### [30] Foreign Application Priority Data

Sep. 17, 1997 [JP] Japan ..... 9-68263

### DESCRIPTION

[51] **LOC (6) Cl.** ..... **21-01**

[52] **U.S. Cl.** ..... **D21/327**

[58] **Field of Search** ..... D21/324–327,  
D21/300; 273/148 B; 463/1, 30–37, 46,  
47, 50, 51, 52

FIG. 1 is a perspective view of a game machine;  
FIG. 2 is a front view of the game machine;  
FIG. 3 is a rear view of the game machine;  
FIG. 4 is a left side view of the game machine;  
FIG. 5 is a right side view of the game machine;  
FIG. 6 is a top view of the game machine;  
FIG. 7 is a bottom view of the game machine;  
FIG. 8 is a sectional view taken along the line 8—8 in FIG. 2;  
FIG. 9 is a sectional view taken along the line 9—9 in FIG. 2;  
FIG. 10 is a sectional view taken along the line 10—10 in FIG. 2; and,  
FIG. 11 is a front view for reference, hatched portions showing a transparent portion.

### [56] References Cited

#### U.S. PATENT DOCUMENTS

D. 276,630	12/1984	Gimbel	.....	D21/327
D. 280,747	9/1985	Stasney	.....	D21/327
D. 297,655	9/1988	Daugherty	.....	D21/327
D. 376,391	12/1996	Okumura	.....	D21/326
D. 392,689	3/1998	Muraki et al.	.....	D21/326
2,148,828	2/1939	Myers	.....	194/240
3,568,332	3/1971	Koci et al.	.....	434/63
5,413,357	5/1995	Schulze et al.	.....	463/46 X

**1 Claim, 11 Drawing Sheets**

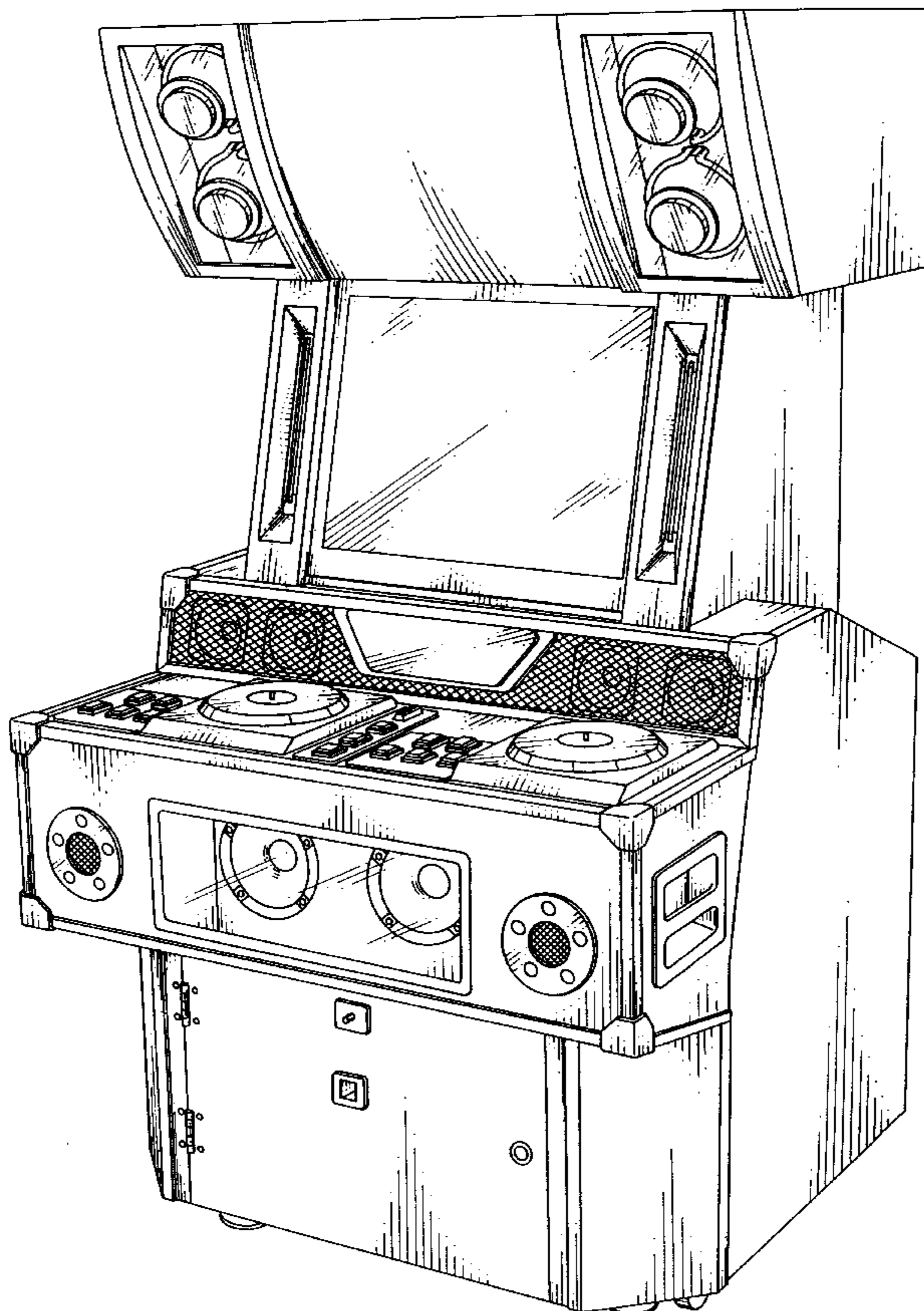


FIG. 1

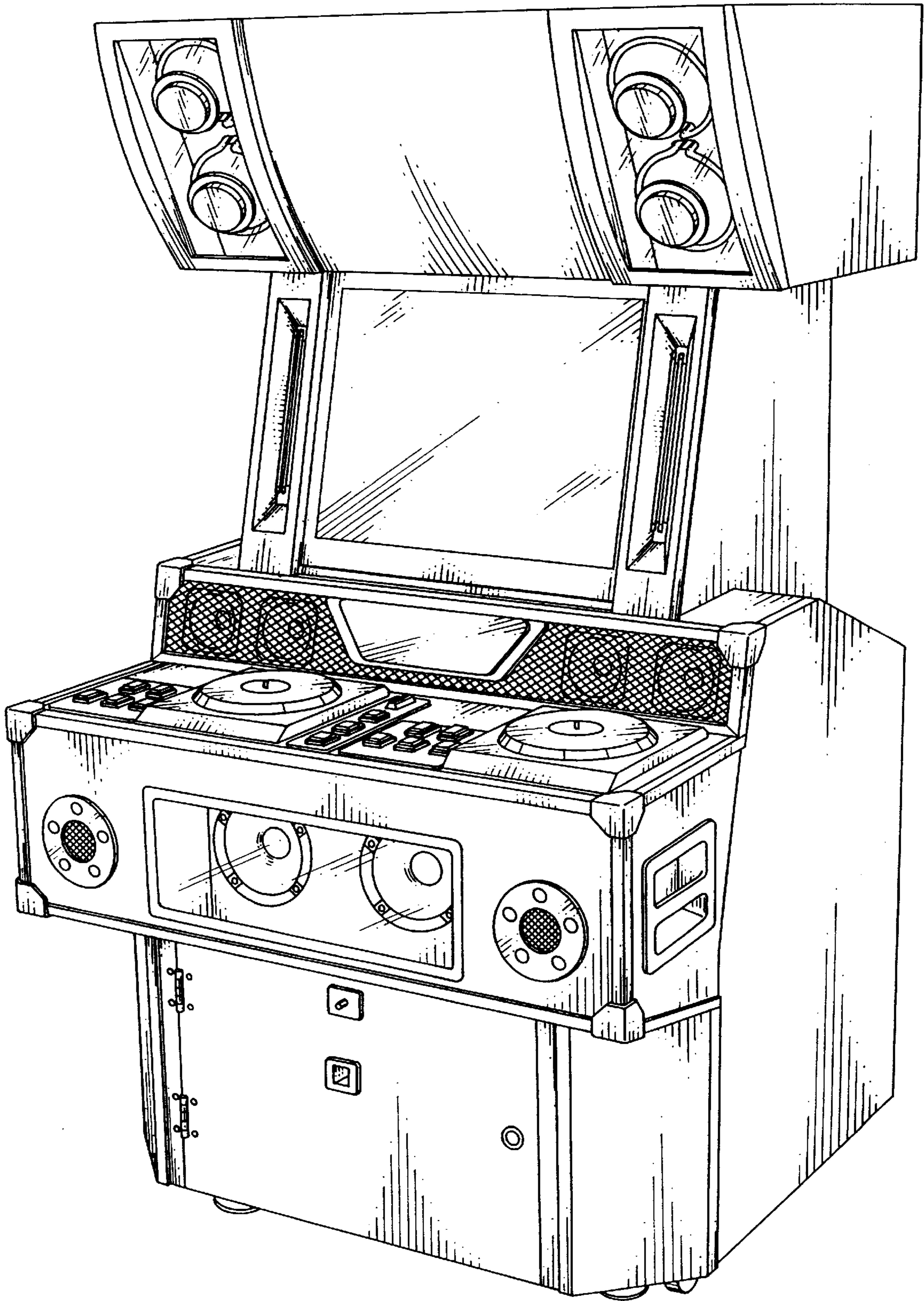




FIG. 2

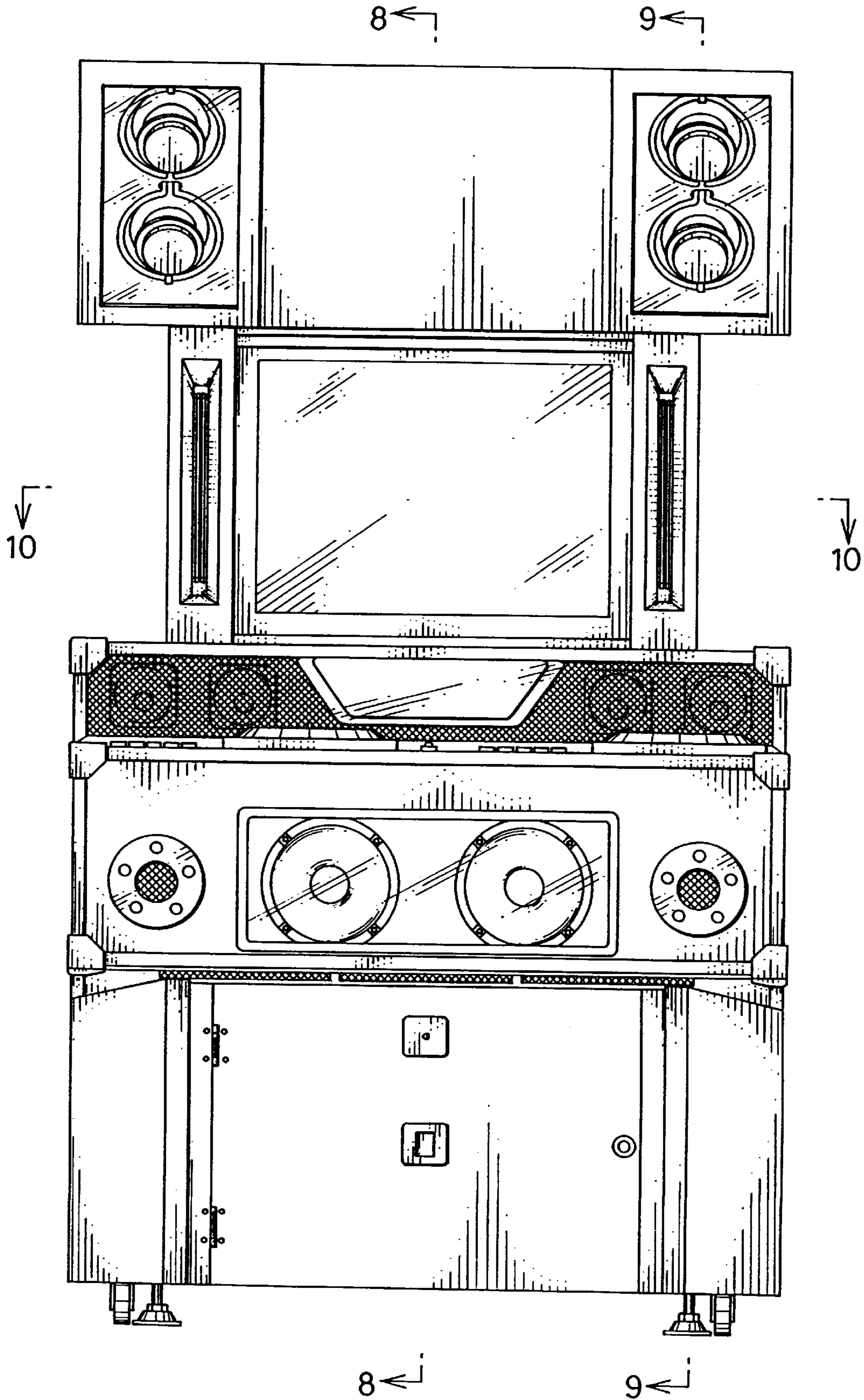


FIG. 3

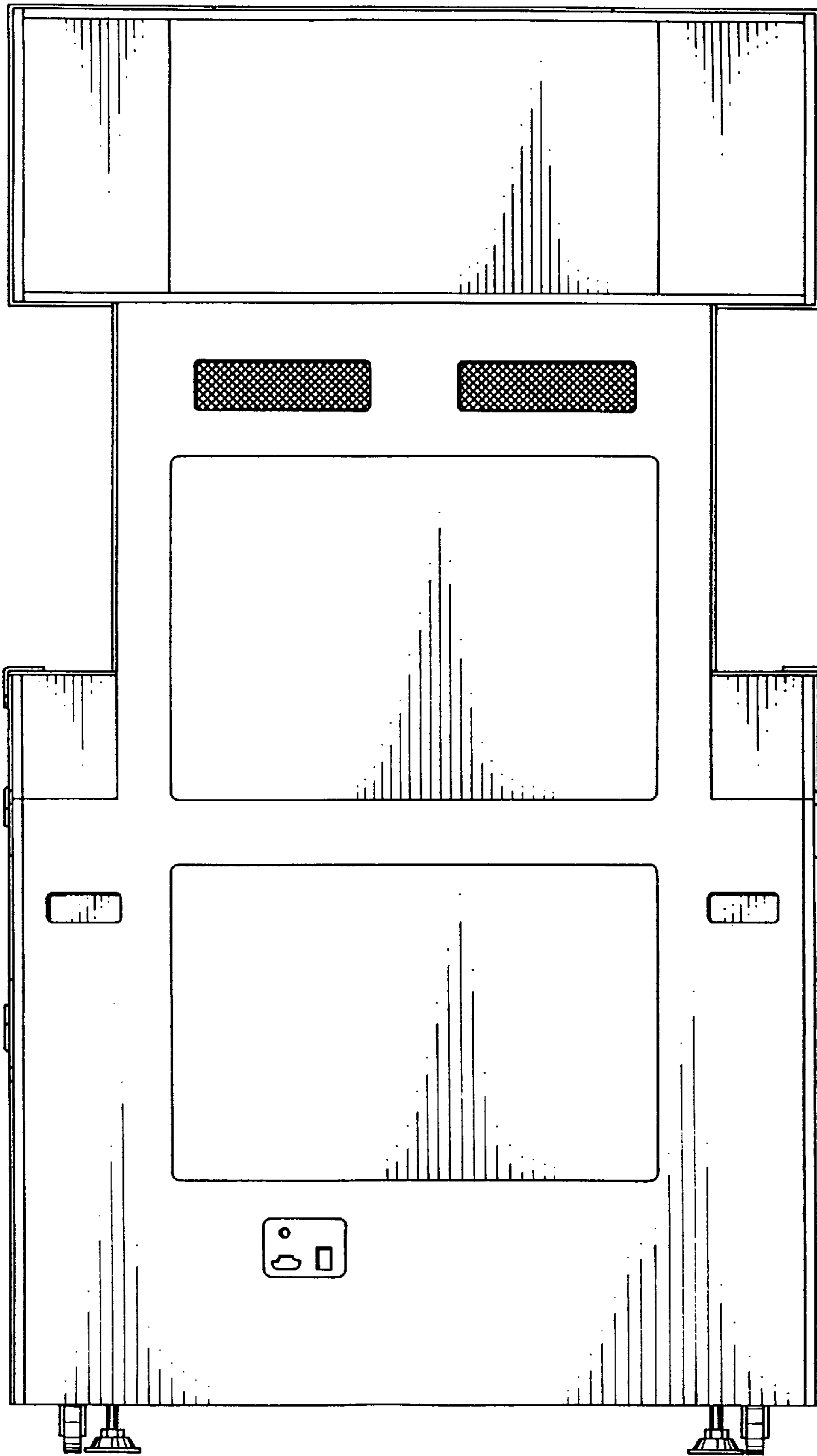


FIG. 4

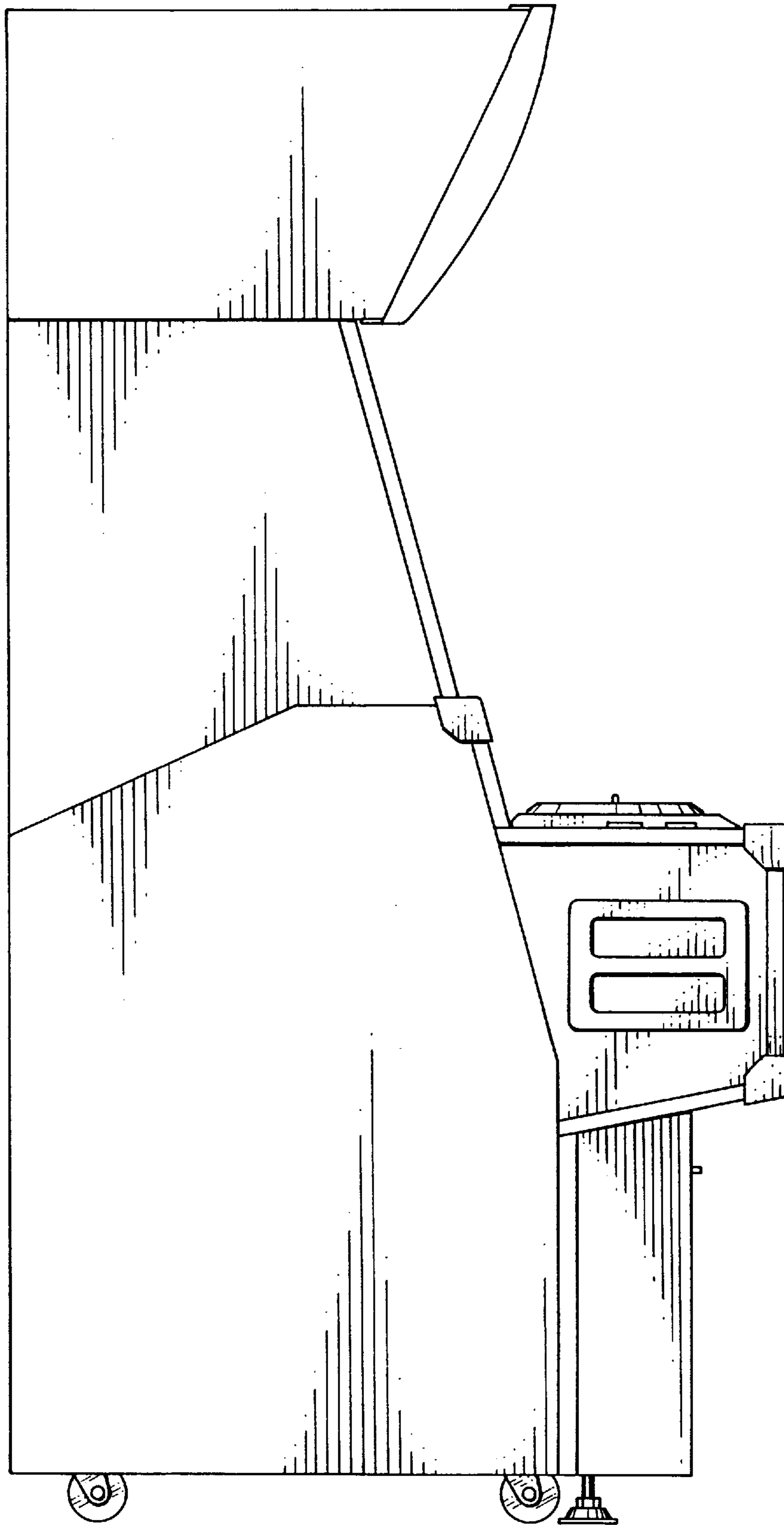


FIG. 5

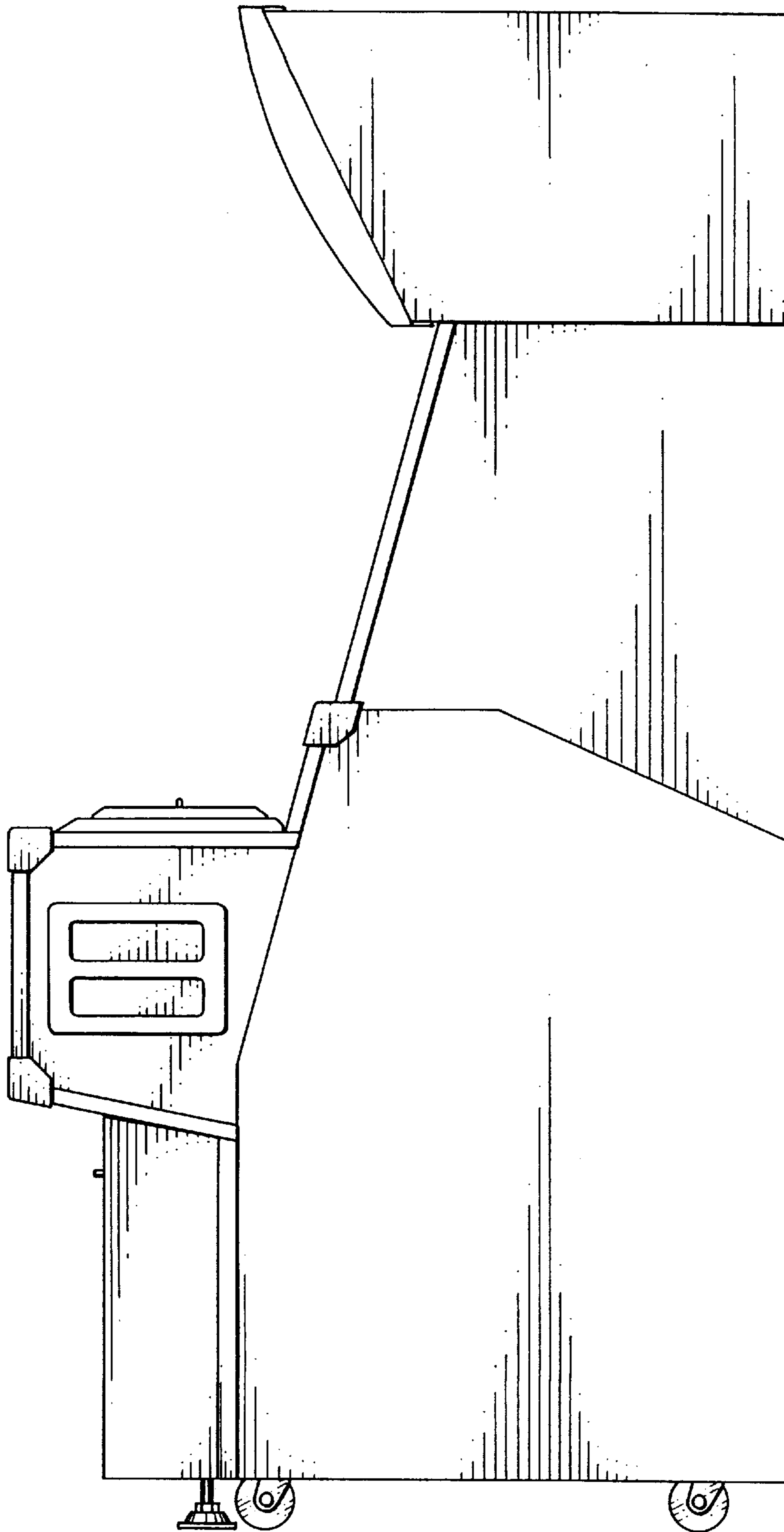


FIG. 6

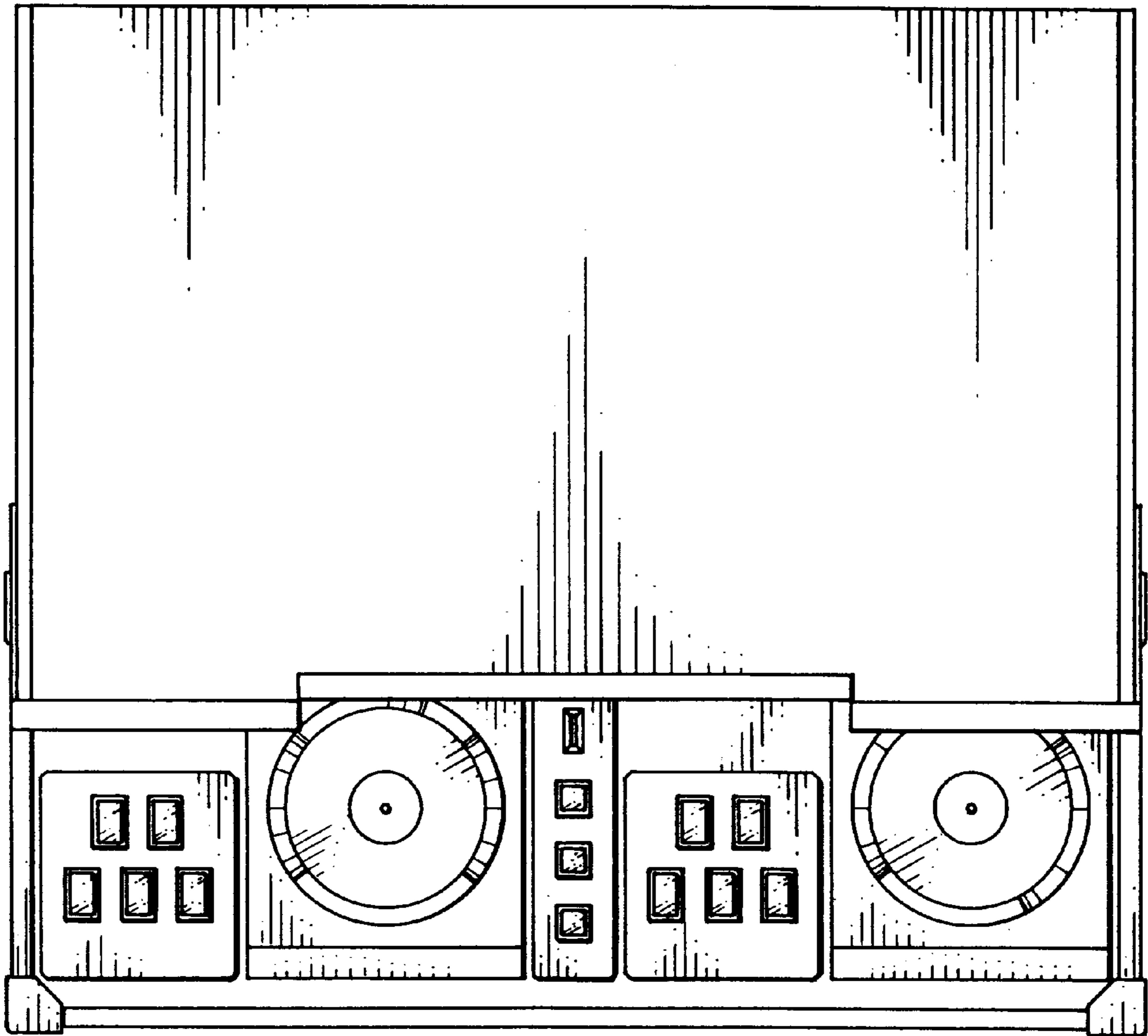


FIG. 7

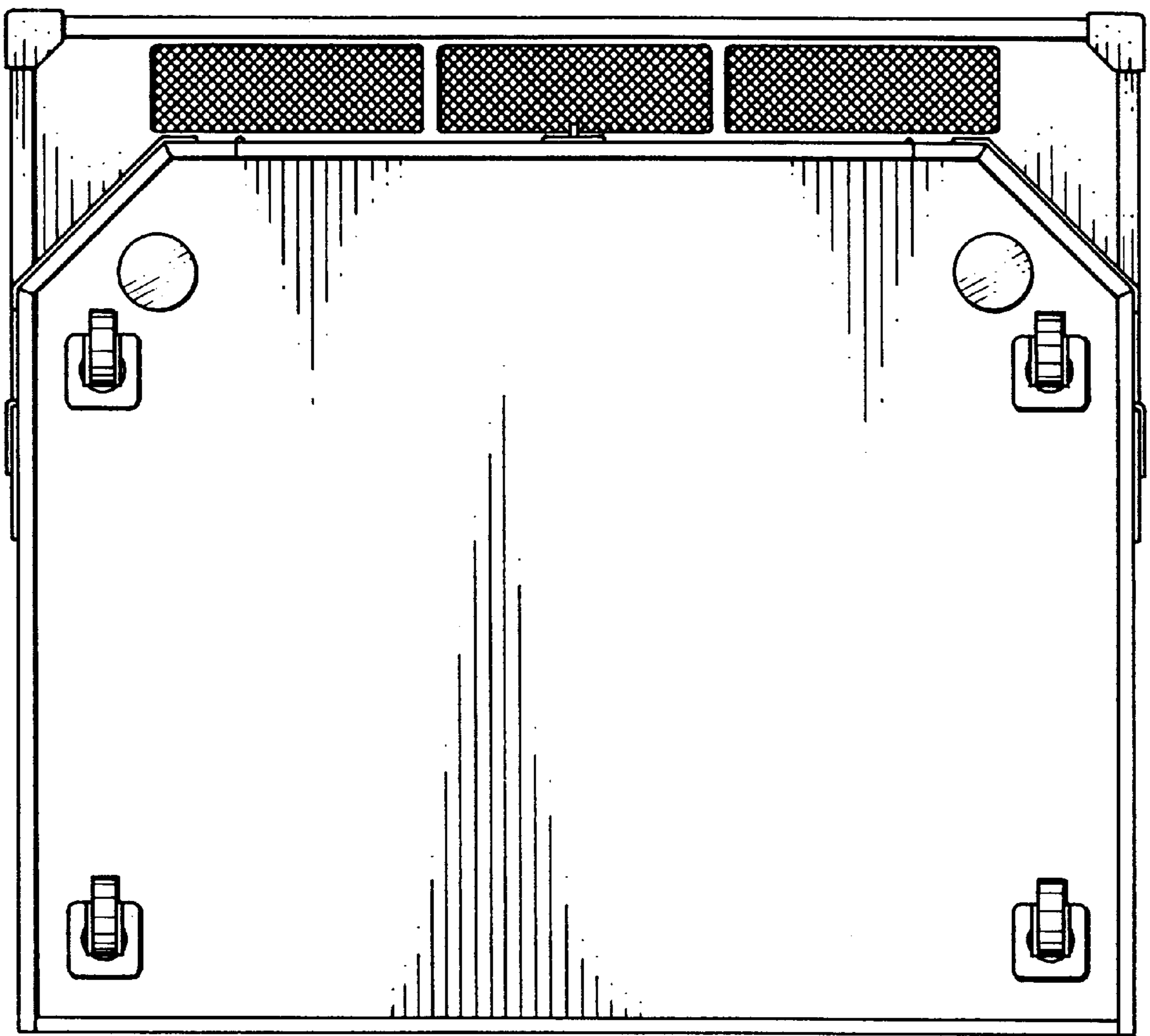




FIG. 8

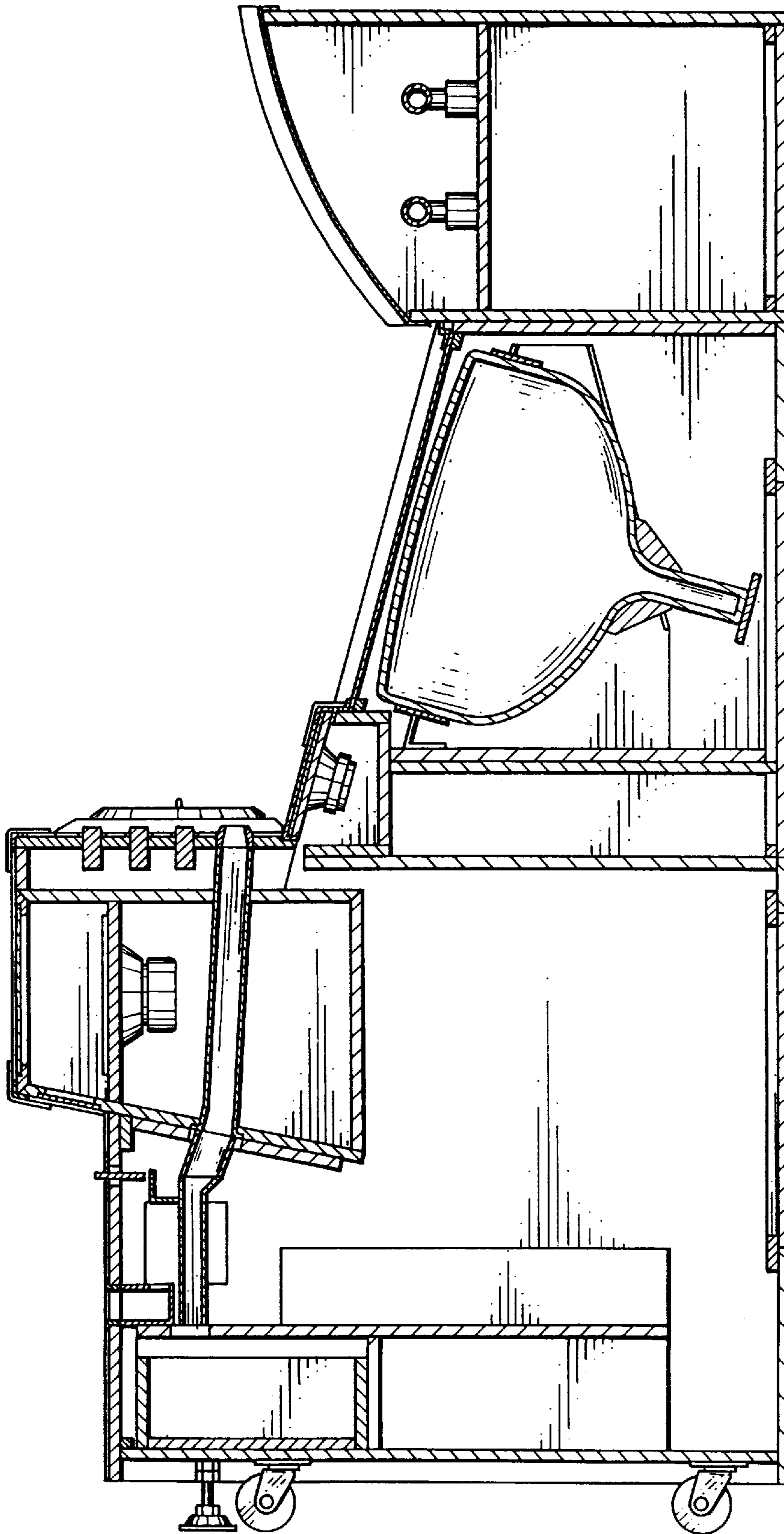


FIG. 9

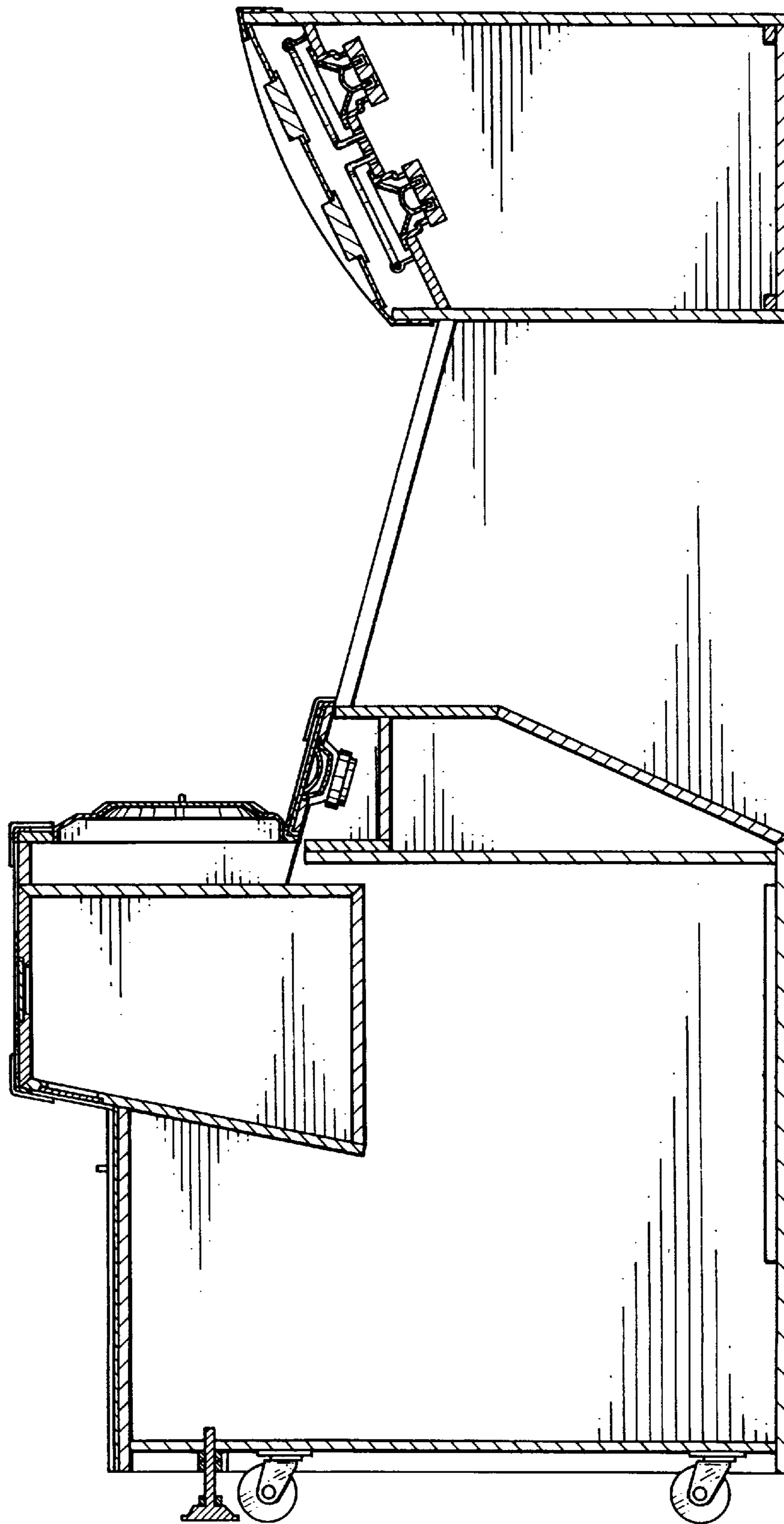


FIG. 10

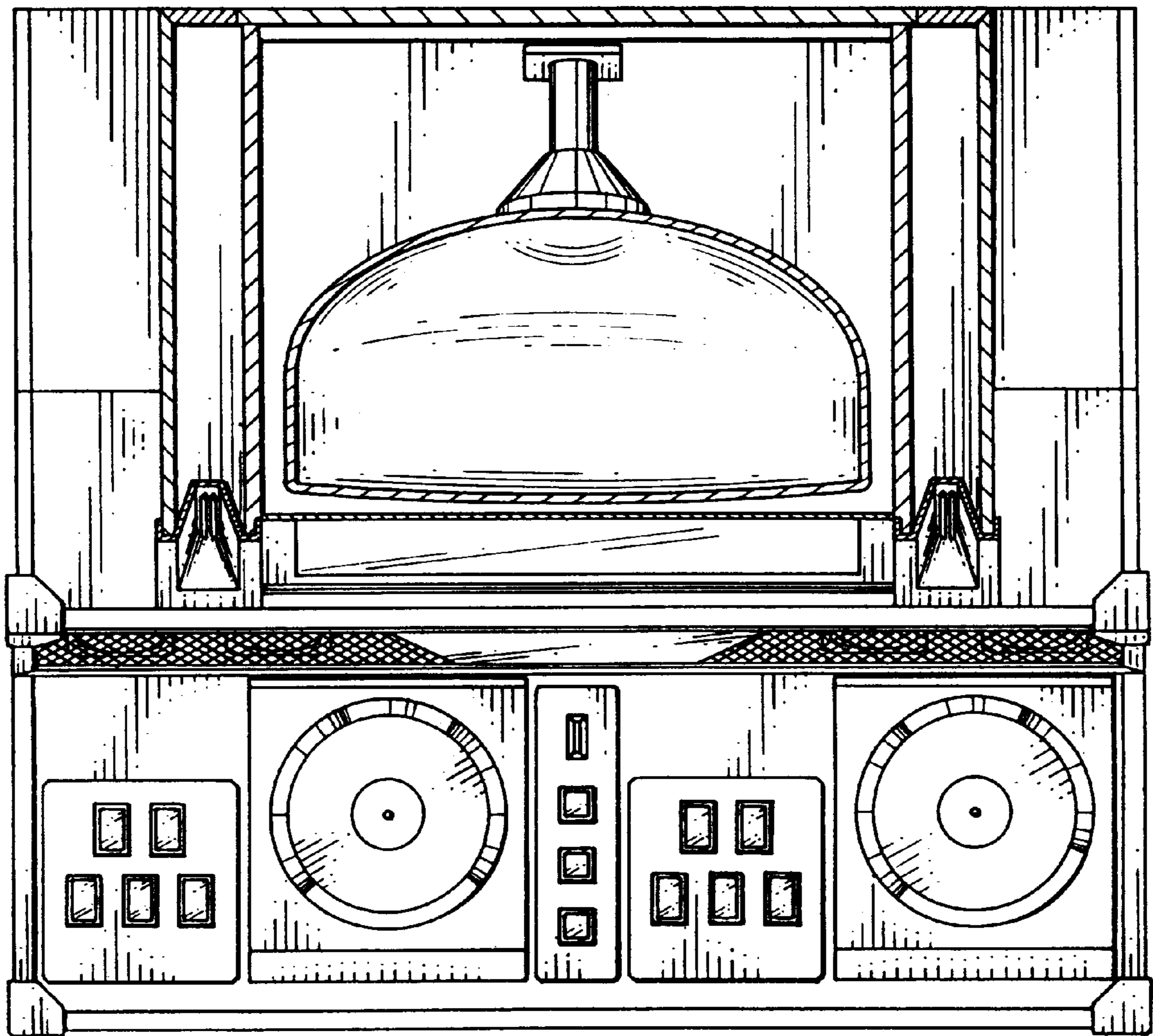


FIG. 11

