



US00D413933S

**United States Patent** [19]  
**Glicksman**

[11] **Patent Number: Des. 413,933**

[45] **Date of Patent: \*\* Sep. 14, 1999**

[54] **INFLATABLE SIGN**

[76] Inventor: **Milton Bernard Glicksman**, 501  
Sunderland Rd., Teaneck, N.J. 07666

[\*\*] Term: **14 Years**

[21] Appl. No.: **29/087,132**

[22] Filed: **Apr. 27, 1998**

[51] **LOC (6) Cl.** ..... **20-02**

[52] **U.S. Cl.** ..... **D20/41; D20/10**

[58] **Field of Search** ..... 116/63 R; D20/10,  
D20/41; D10/109, 114; 40/584, 540, 538,  
608, 591, 592, 588, 586

[56] **References Cited**

**U.S. PATENT DOCUMENTS**

D. 306,746	3/1990	Vicino	.....	D20/10
D. 337,129	7/1993	Sandy	.....	D20/10
D. 367,239	2/1996	Miller	.....	D10/109
3,775,887	12/1973	Precourt	.....	40/603 X

*Primary Examiner*—Susan J. Lucas  
*Assistant Examiner*—Jennifer Rivard  
*Attorney, Agent, or Firm*—Mitchell D. Bittman

[57] **CLAIM**

The ornamental design for an inflatable sign, as shown and described.

**DESCRIPTION**

FIG. 1 is a front perspective view of an inflatable sign showing my new design;

FIG. 2 is a front elevational view thereof;

FIG. 3 is a left side elevational view thereof, the right side elevational view being a mirror image;

FIG. 4 is a rear elevational view thereof;

FIG. 5 is a top plan view thereof; and,

FIG. 6 is a bottom plan view thereof.

The broken lines are shown for illustrative purposes only and form no part of the claimed design.

**1 Claim, 5 Drawing Sheets**

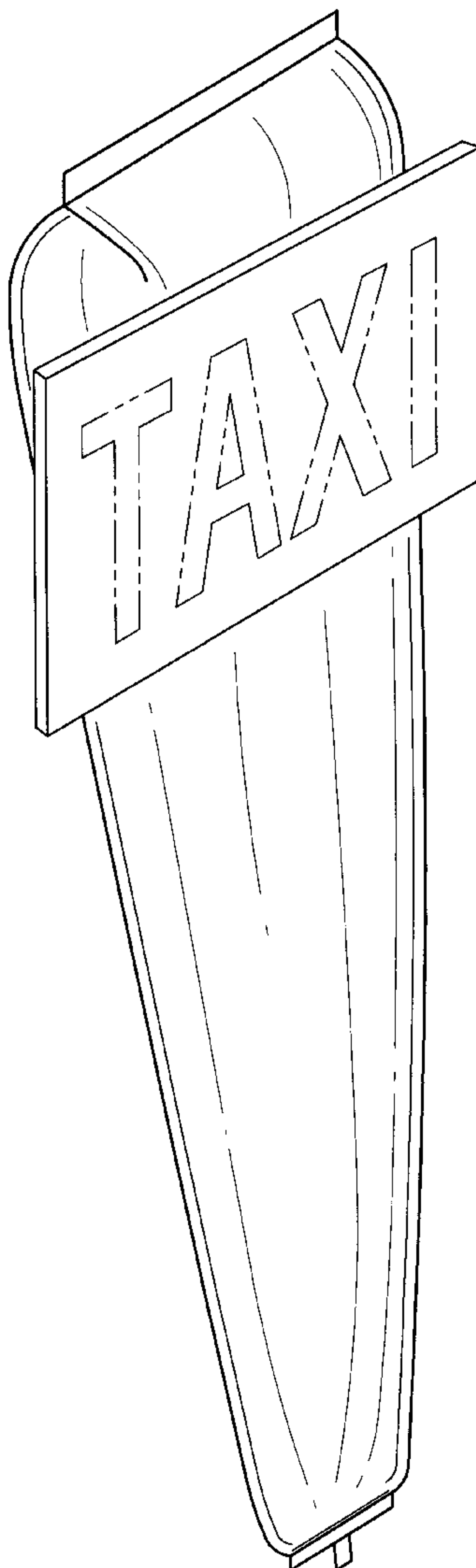


FIG-1

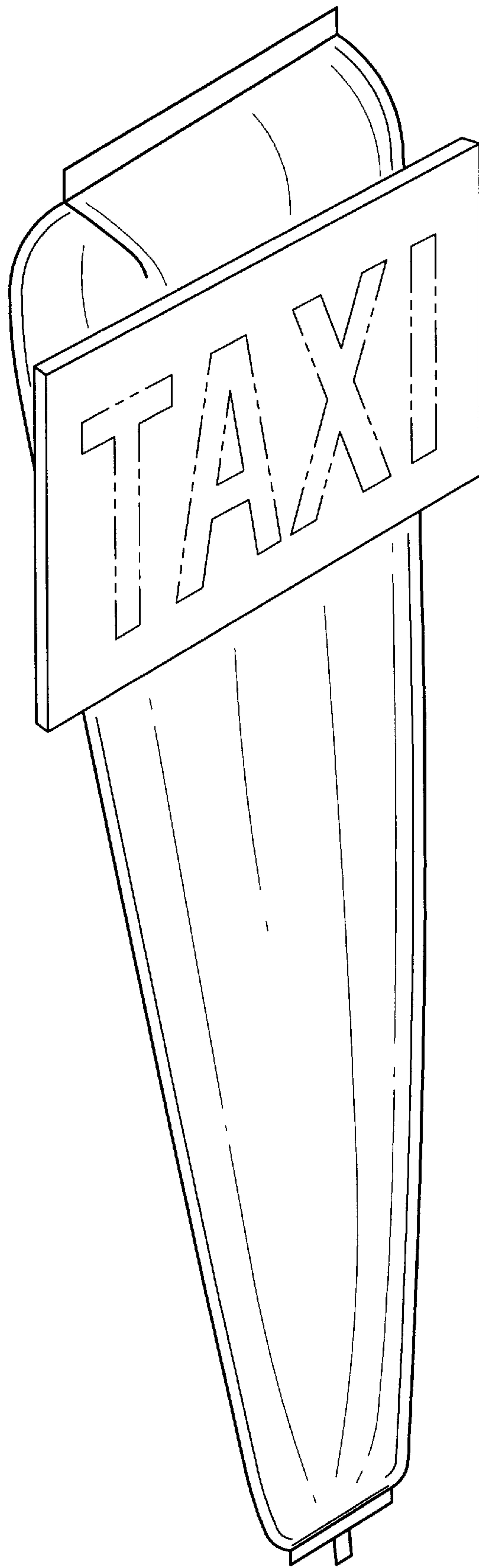


FIG-2

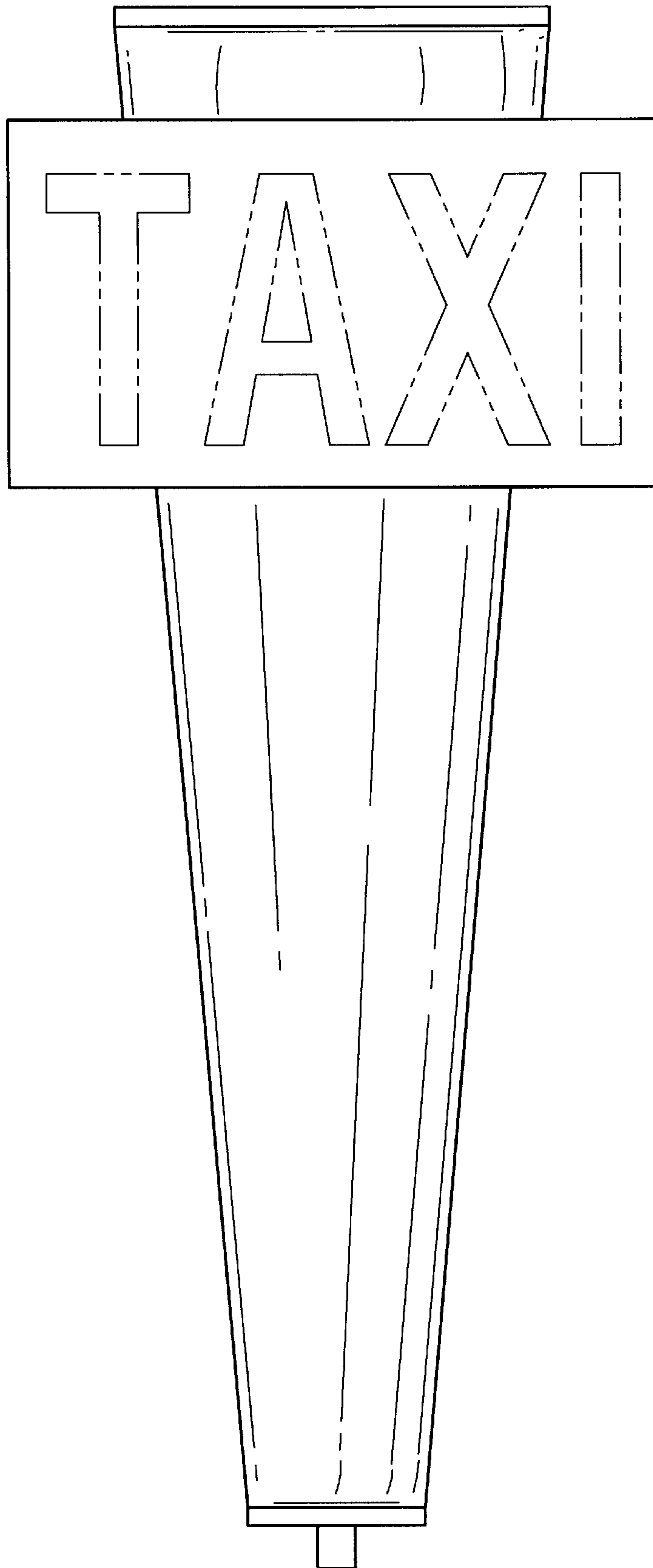


FIG-3

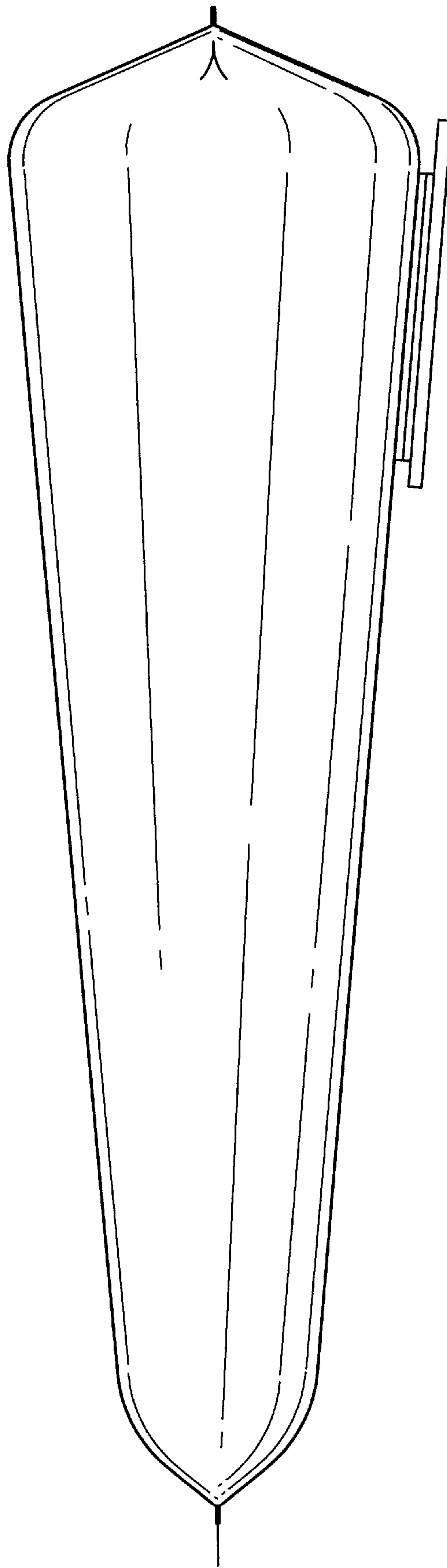


FIG-4

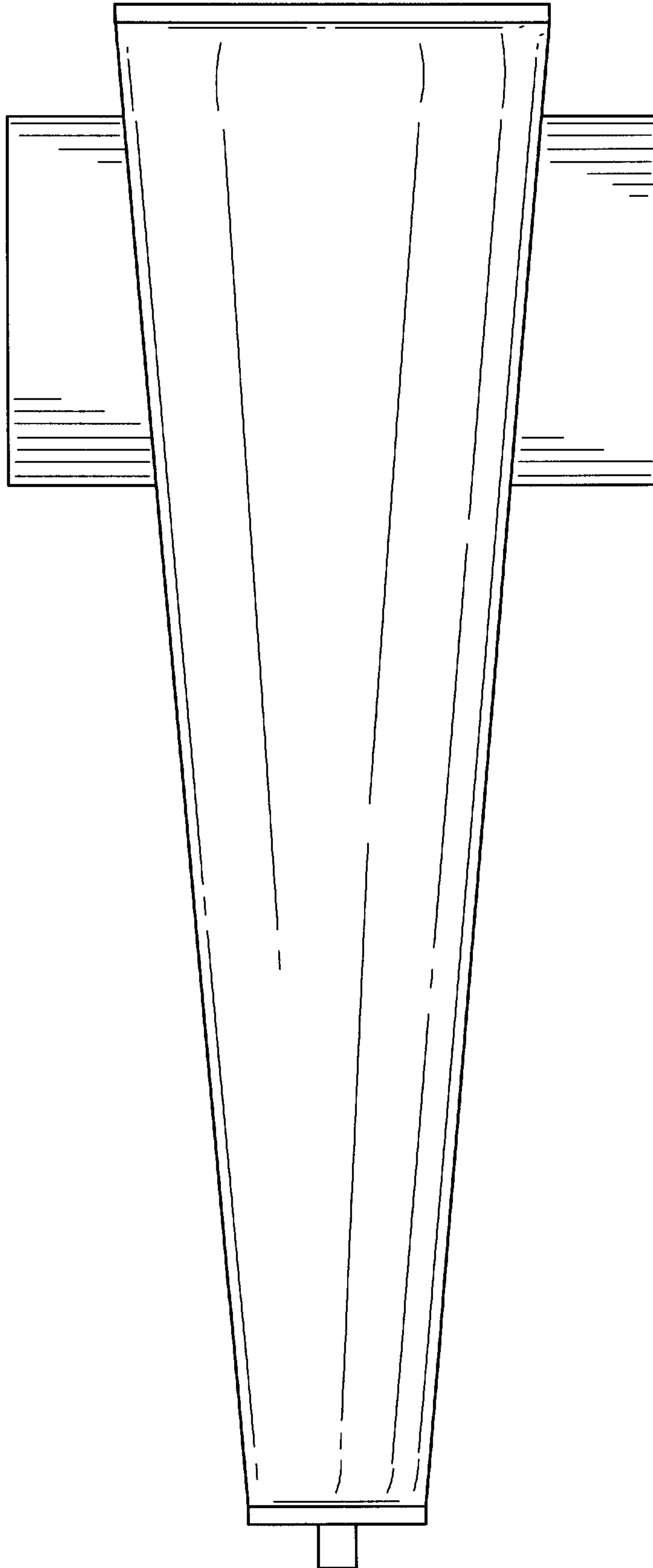


FIG-5

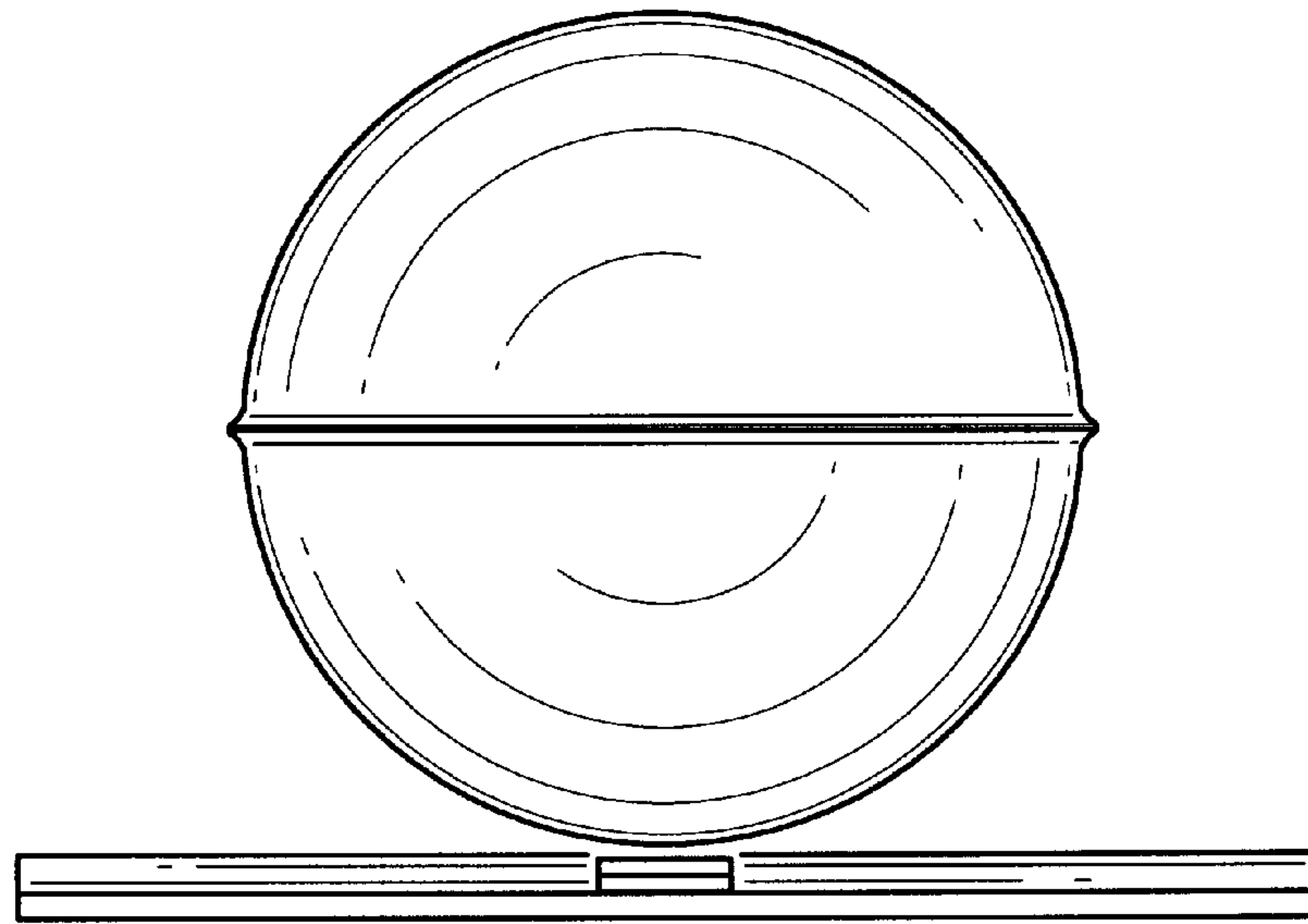


FIG-6

