



US00D413928S

United States Patent [19] Cianci

[11] Patent Number: Des. 413,928

[45] Date of Patent: ** Sep. 14, 1999

[54] LIST HOLDER

[76] Inventor: **Thomas Cianci**, 561 Hillside St.,
Ridgfield, N.J. 07657

[**] Term: **14 Years**

[21] Appl. No.: **29/078,819**

[22] Filed: **Oct. 31, 1997**

[51] LOC (6) Cl. **19-02**

[52] U.S. Cl. **D19/86; D19/65; D19/90**

[58] Field of Search D19/65, 75, 78,
D19/86, 88, 90, 91, 99, 100; 40/308; 248/516,
277.1, 540, 451, 447.2, 442.2; 24/67 R,
67.1-67.9, 67.11

[56] **References Cited**

U.S. PATENT DOCUMENTS

D. 320,045	9/1991	Mead	D19/88
D. 331,076	11/1992	Montgomery	D19/88
D. 356,340	3/1995	Browning, Jr.	D19/91
D. 387,807	12/1997	McAllister	D19/91
821,822	5/1906	Nootbaar	248/516

3,881,267	5/1975	Hicks	40/308
3,964,134	6/1976	Newston	24/81
4,356,651	11/1982	Barlow	40/308
4,858,353	8/1989	Krebs et al.	40/308
5,154,330	10/1992	Haynes	224/277
5,636,818	6/1997	Edwards et al.	248/447.2 X
5,845,889	12/1998	Suzuki	248/451

Primary Examiner—Martie K. Holtje
Attorney, Agent, or Firm—Goldstein & Canino

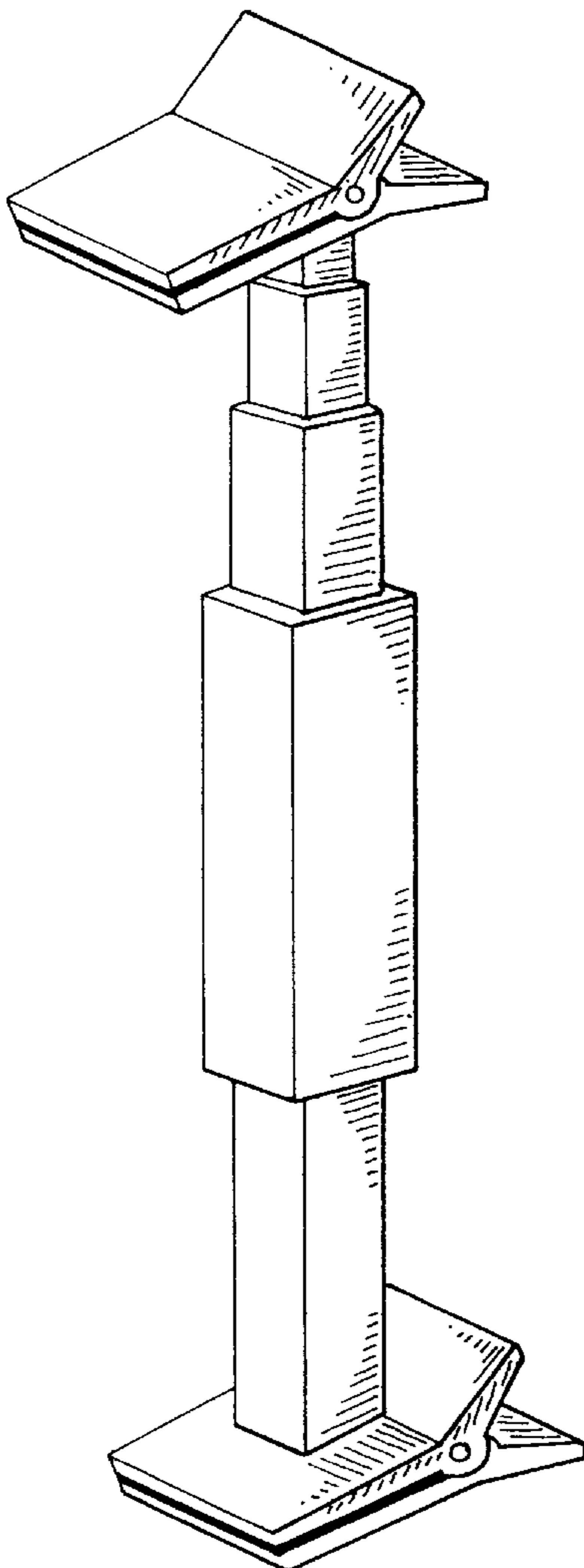
[57] **CLAIM**

The ornamental design for a list holder, as shown and described.

DESCRIPTION

FIG. 1 is a diagrammatic perspective view of the list holder. FIG. 2 is a left side elevational view thereof, the right side elevational view being a mirror image of the left side view. FIG. 3 is a front elevational view thereof. FIG. 4 is a rear elevational view thereof. FIG. 5 is a top plan view of the list holder; and, FIG. 6 is a bottom plan view thereof.

1 Claim, 4 Drawing Sheets



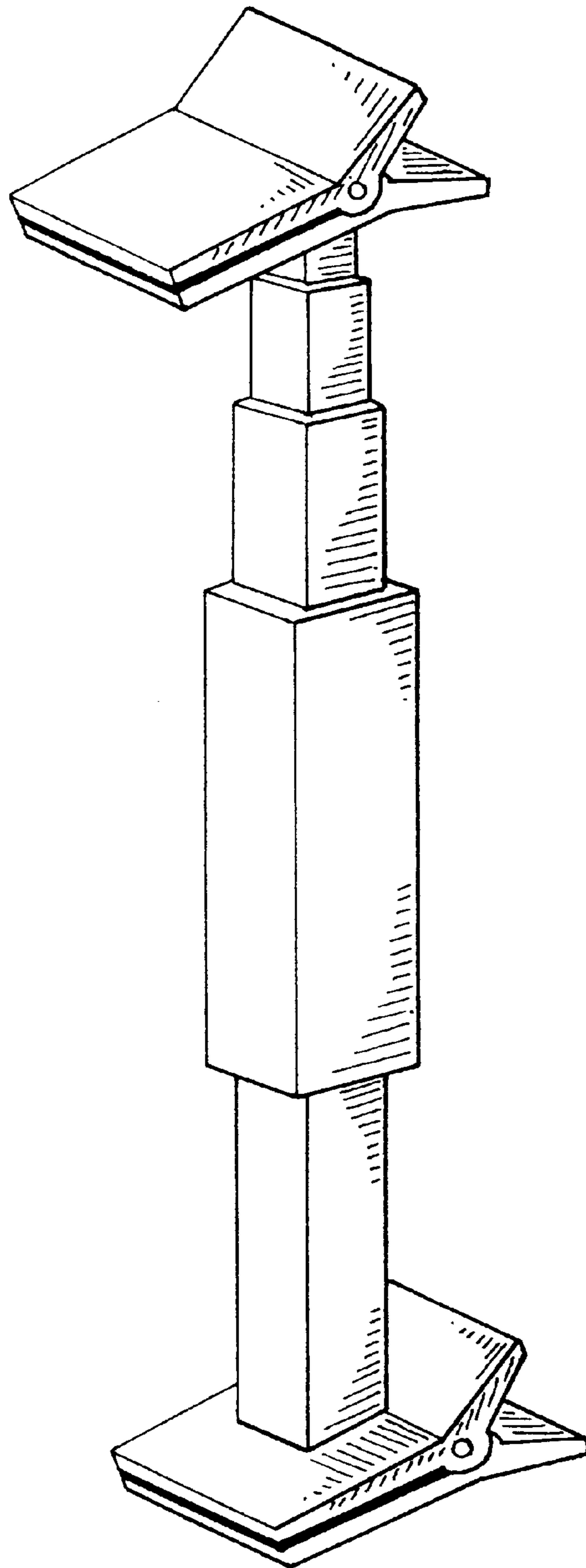


FIG. 1

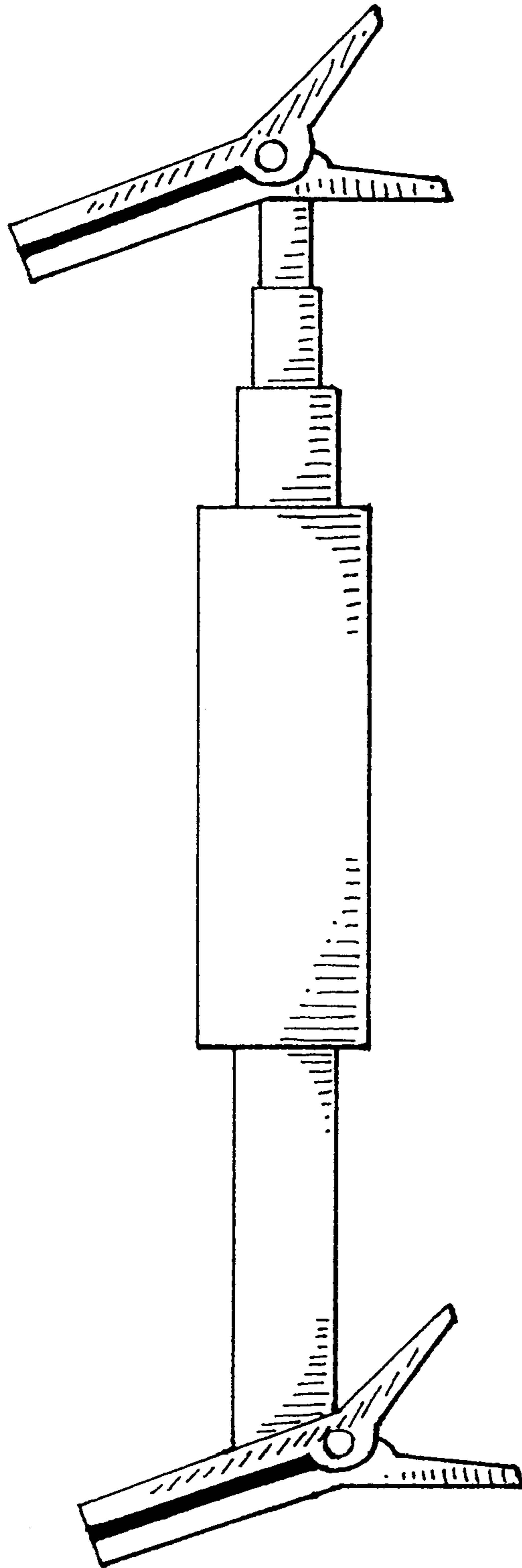


FIG. 2

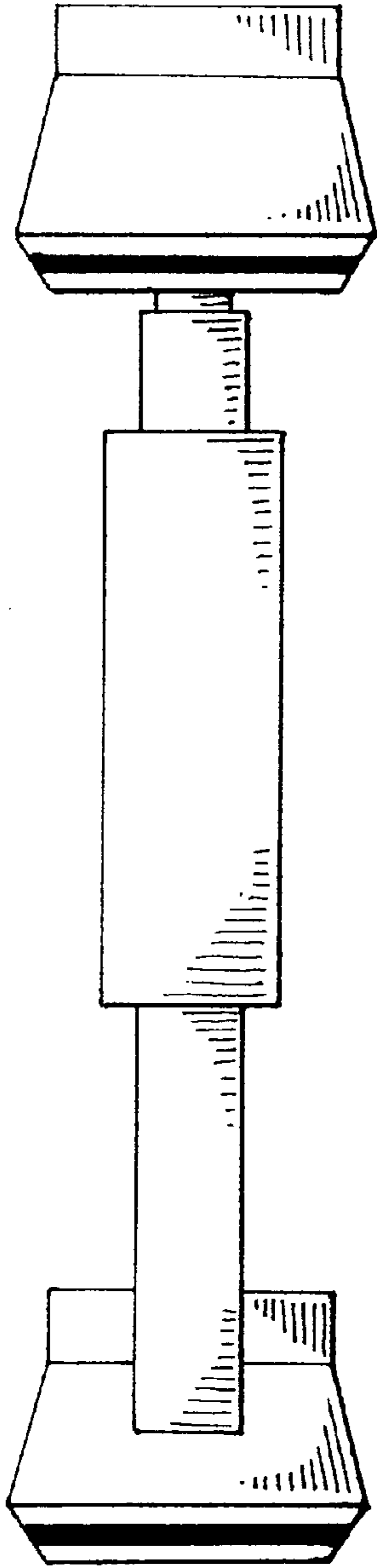


FIG. 3

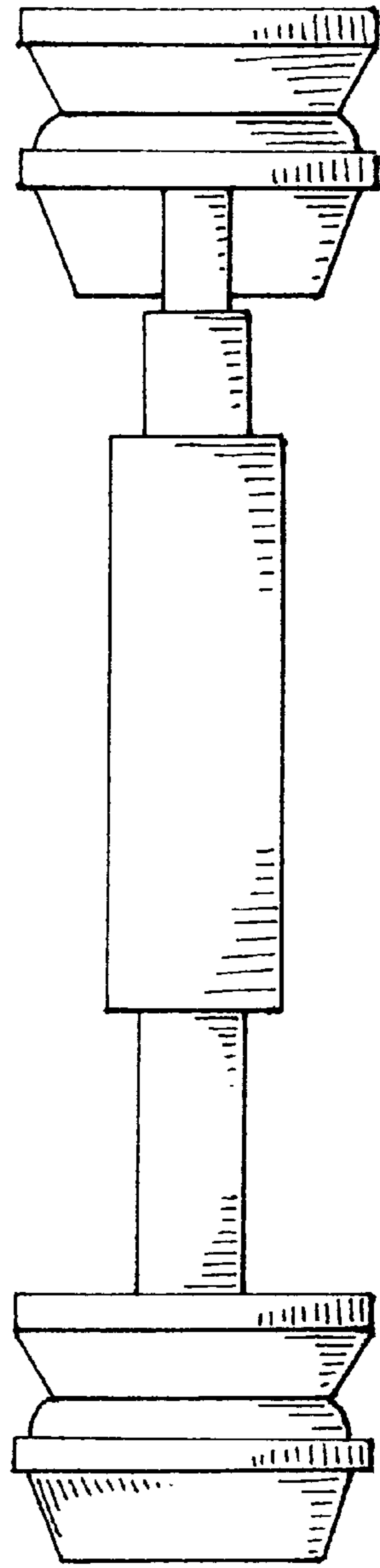


FIG. 4

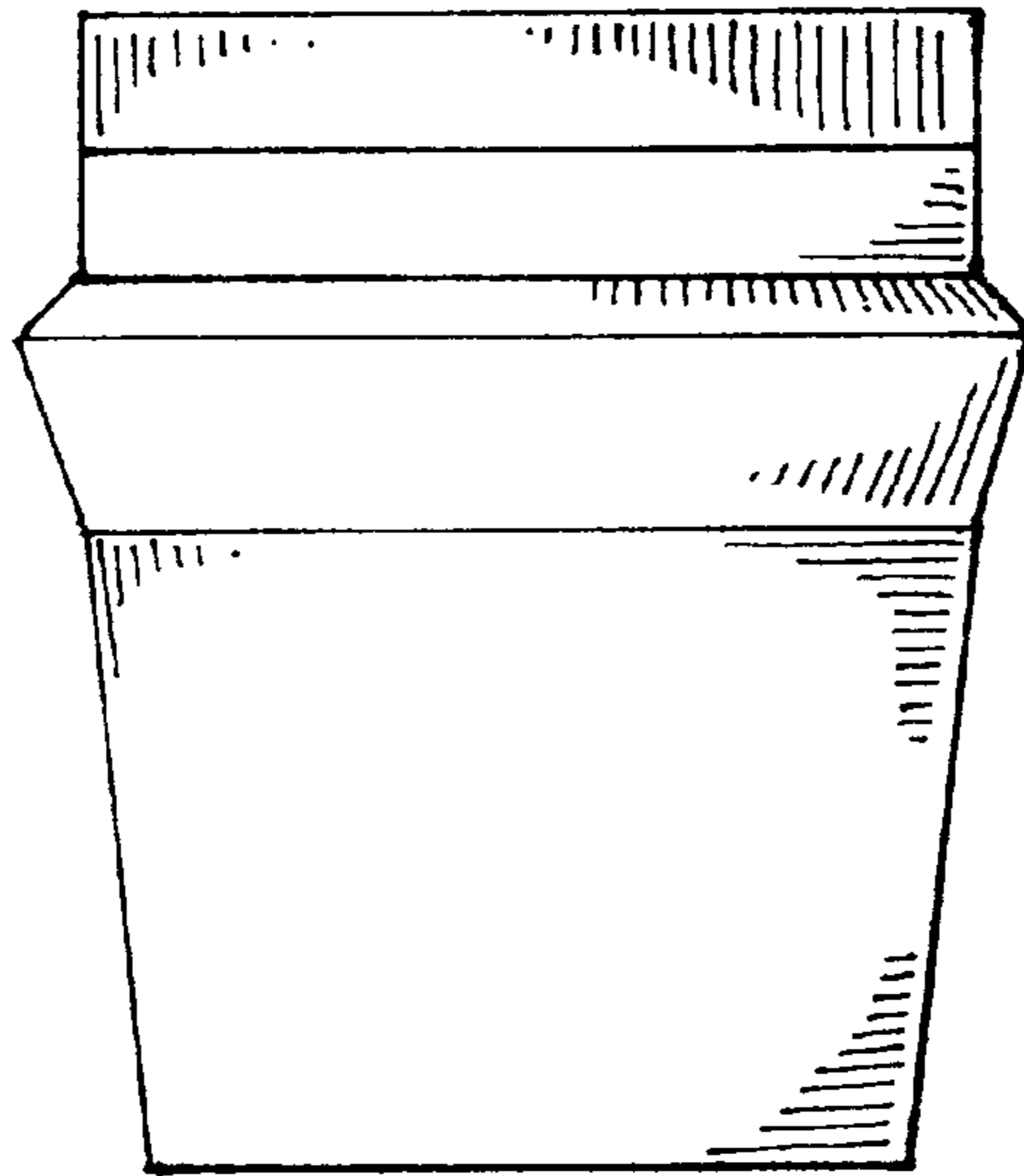


FIG. 5

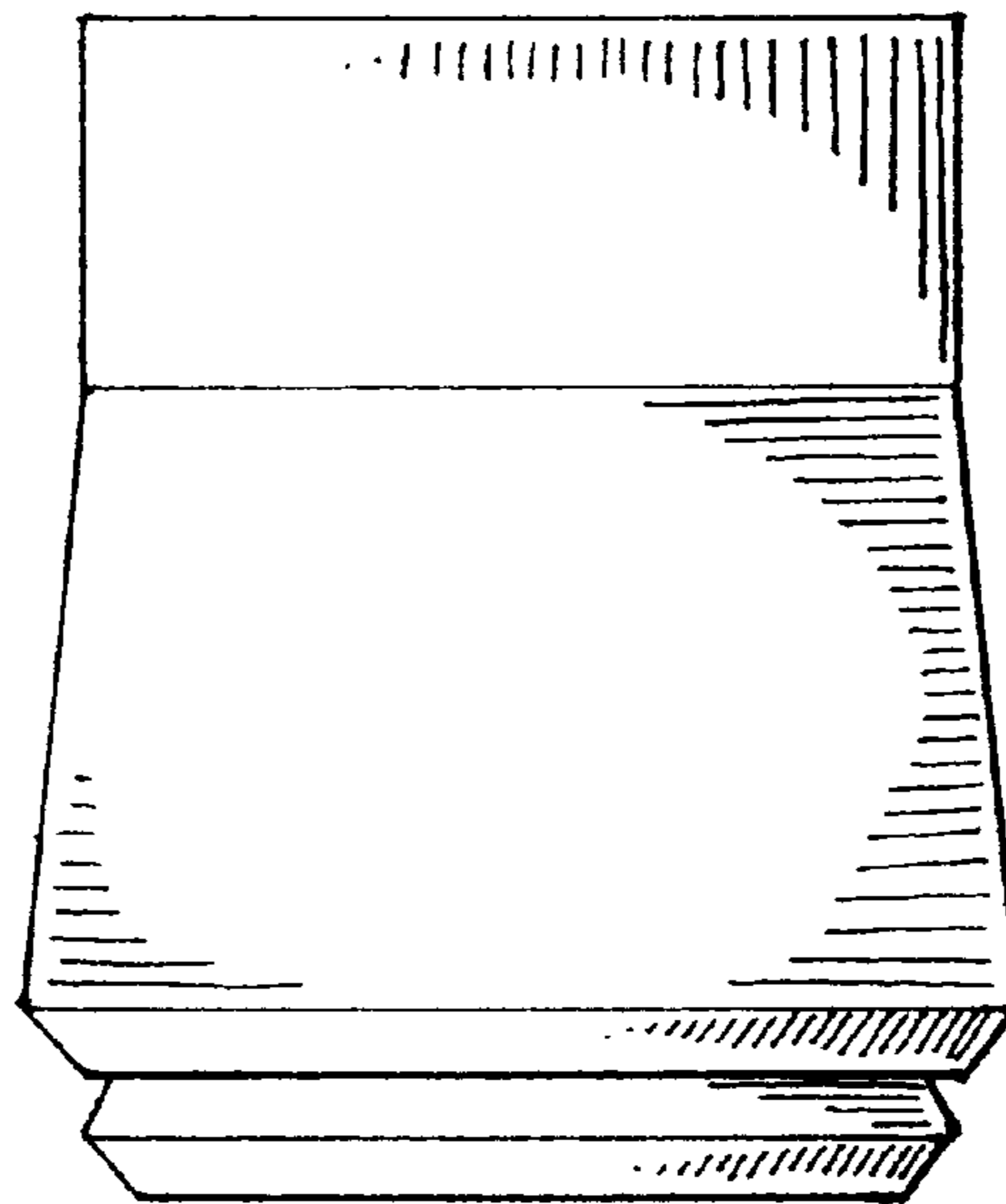


FIG. 6