



US00D413924S

United States Patent [19]
Bould

[11] **Patent Number: Des. 413,924**

[45] **Date of Patent: ** Sep. 14, 1999**

[54] **SNAP BINDER**

[75] **Inventor: Fred Bould, Palo Alto, Calif.**

[73] **Assignee: Acco Brands, Inc., Lincolnshire, Ill.**

[**] **Term: 14 Years**

[21] **Appl. No.: 29/075,323**

[22] **Filed: Aug. 28, 1997**

[51] **LOC (6) Cl. 19-04**

[52] **U.S. Cl. D19/32; D19/86; D19/90**

[58] **Field of Search D19/26, 27, 32,
D19/65, 75, 86, 90, 91, 99, 100; 281/43,
45, 46, 51, 15.1; 402/3, 4, 80 R, 503; 40/359;
312/184; 24/67.7; 211/45, 46**

[56] **References Cited**

U.S. PATENT DOCUMENTS

D. 240,395	7/1976	Feldmahr	D8/154
1,217,243	2/1917	Tucker et al.	312/184
2,111,845	3/1938	Dunham	402/4
2,484,453	10/1949	Halverson	211/46
3,359,986	12/1967	Koenders	211/46
3,492,701	2/1970	Kitamura	24/67.7
3,572,867	3/1971	Cooper	312/184
3,801,175	4/1974	Giulie	312/184
4,208,146	6/1980	Schudy	402/4
4,420,086	12/1983	Bardes	211/46
4,950,096	8/1990	Gilder	402/4
4,979,626	12/1990	Pitts	211/45
5,163,768	11/1992	Salisbury et al.	402/3

Primary Examiner—Martie K. Holtje
Attorney, Agent, or Firm—Pennie & Edmonds, LLP

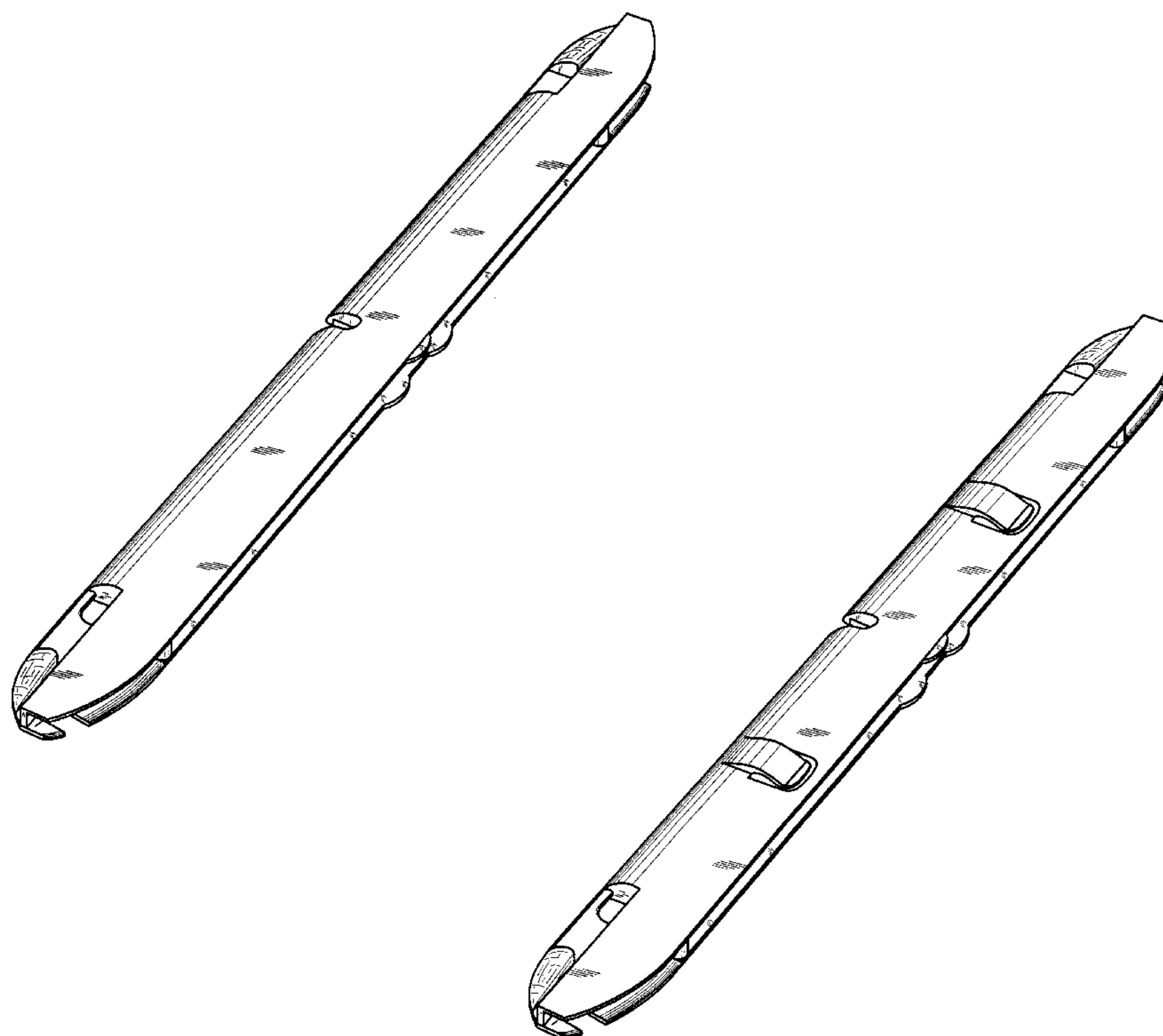
[57] **CLAIM**

The ornamental design for a snap binder, as shown and described.

DESCRIPTION

FIG. 1 is a perspective view of a snap binder showing my new design in a closed position;
 FIG. 2 is a top view thereof;
 FIG. 3 is a bottom view thereof;
 FIG. 4 is a front elevational view thereof;
 FIG. 5 is a rear elevational view thereof;
 FIG. 6 is an elevational view of the left end thereof;
 FIG. 7 is an elevational view of the right end thereof;
 FIG. 8 is a top view with the snap binder in an open position;
 FIG. 9 is a perspective view of the snap binder showing my design with end pieces extended;
 FIG. 10 is a top view thereof;
 FIG. 11 is a bottom view thereof;
 FIG. 12 is a front elevational view thereof;
 FIG. 13 is a rear elevational view thereof;
 FIG. 14 is a top view with the snap binder in an open position and the end pieces extended;
 FIG. 15 is a perspective view of an alternative embodiment of my new design;
 FIG. 16 is a top view thereof;
 FIG. 17 is a front elevational view thereof;
 FIG. 18 is a rear elevational view thereof;
 FIG. 19 is an elevational view of the left end thereof;
 FIG. 20 is an elevational view of the right end thereof; and,
 FIG. 21 is a top elevational view with the snap binder in an open position.

1 Claim, 11 Drawing Sheets



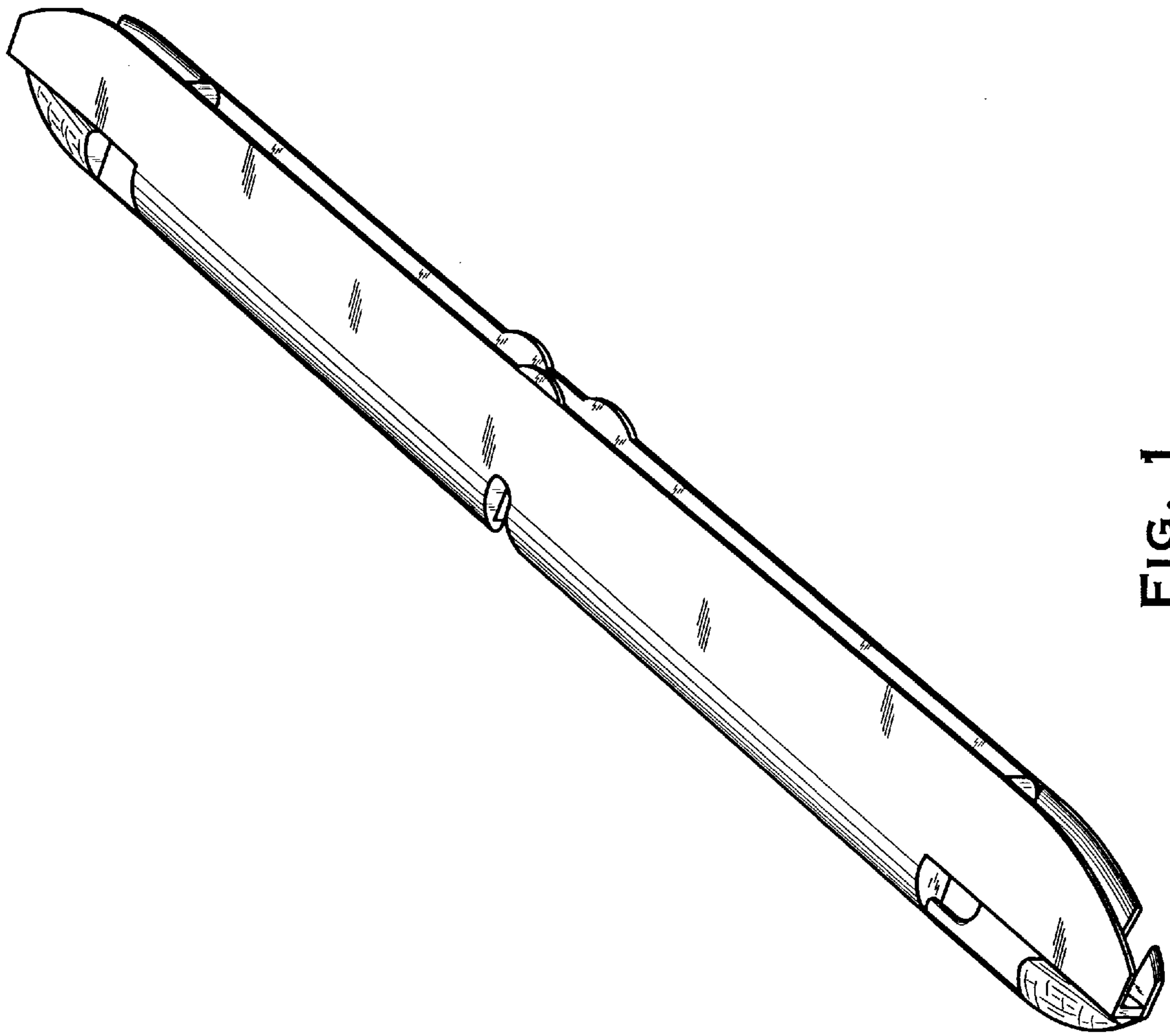


FIG. 1

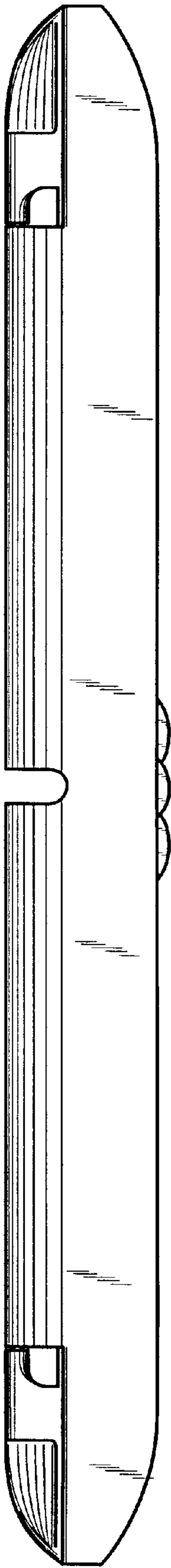


FIG. 2

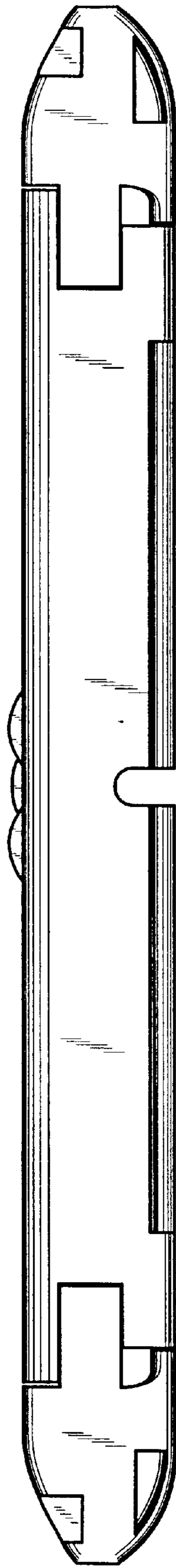


FIG. 3

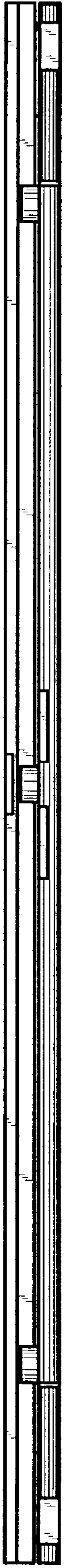


FIG. 4



FIG. 5



FIG. 6



FIG. 7

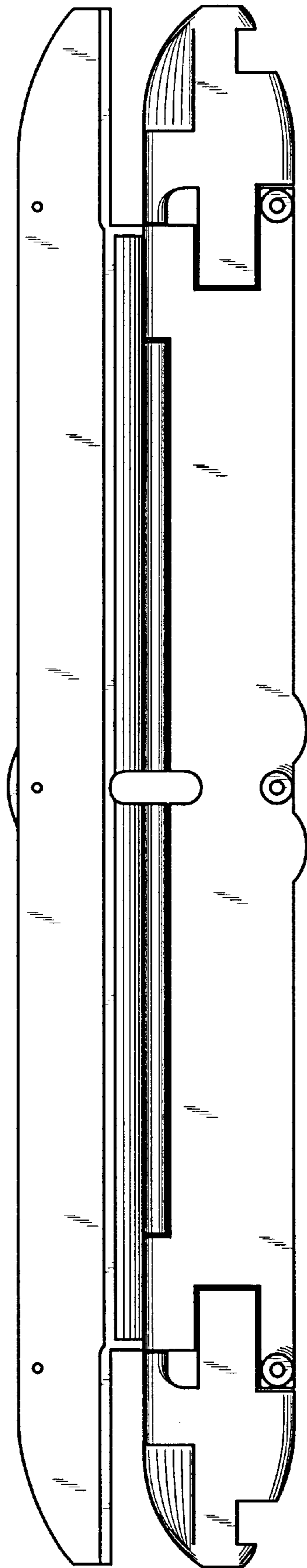


FIG. 8

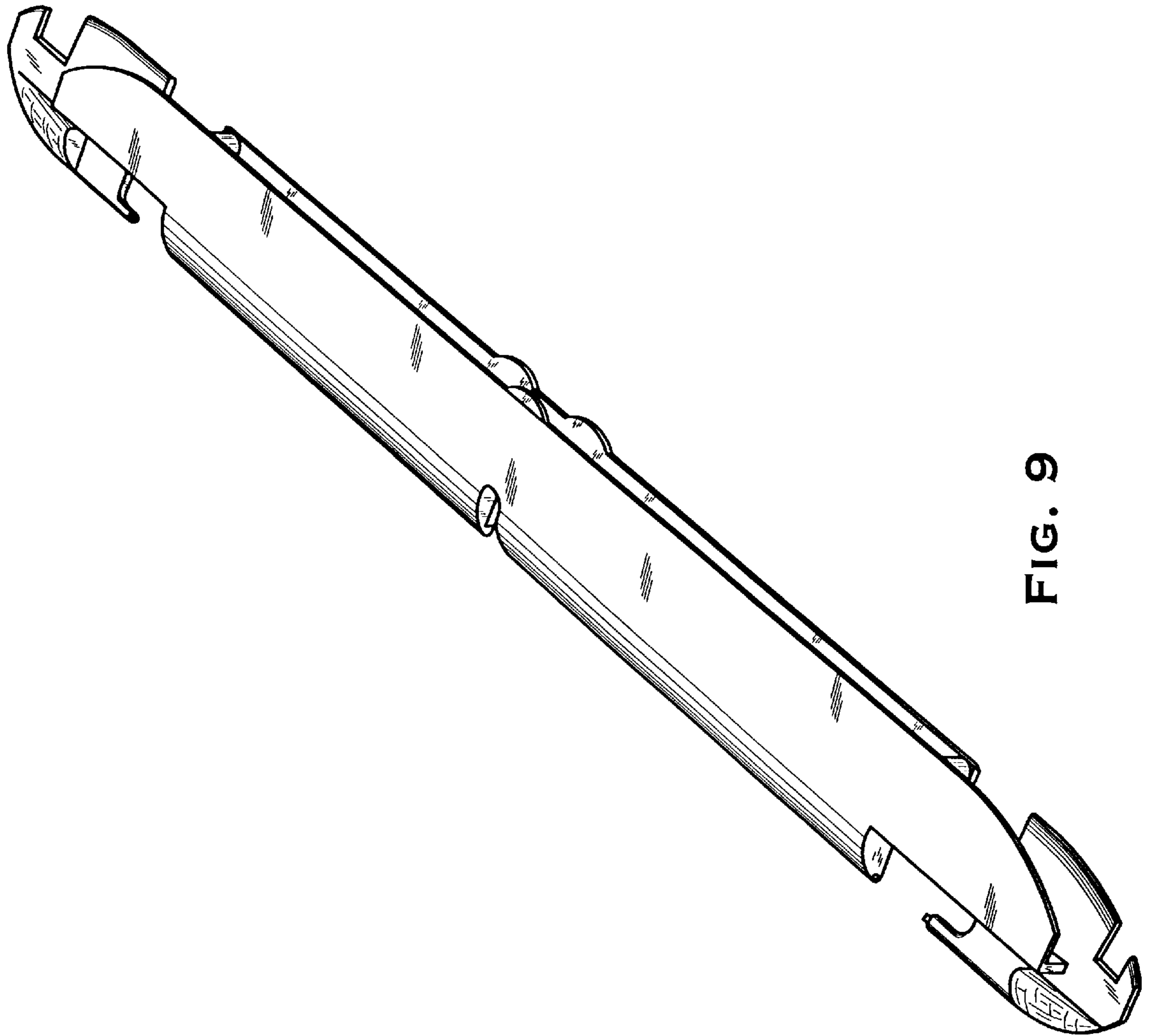


FIG. 9

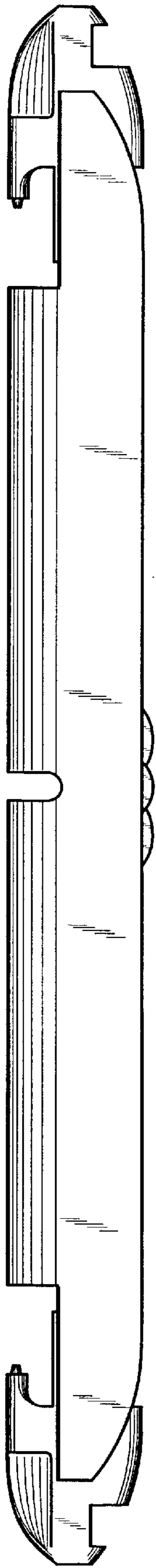


FIG. 10

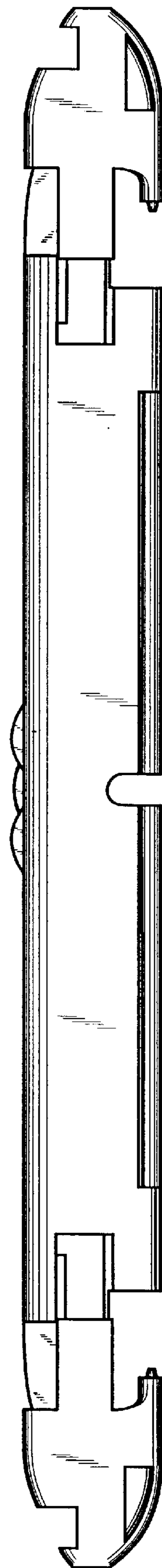


FIG. 11



FIG. 12



FIG. 13

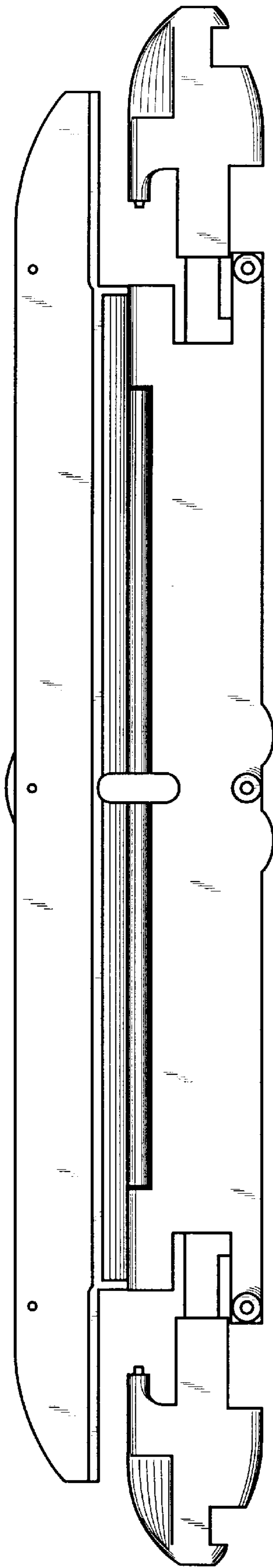


FIG. 14

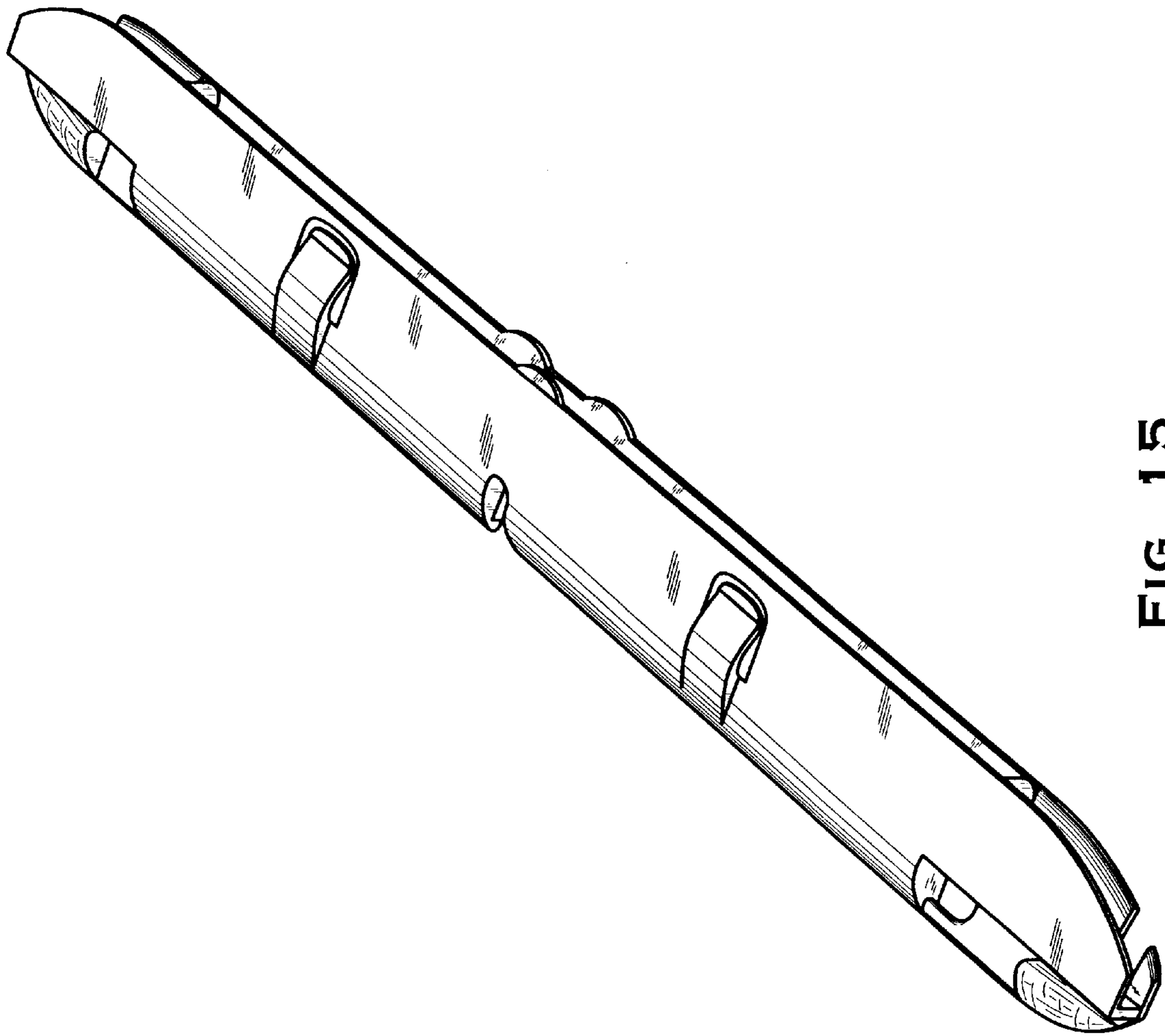


FIG. 15

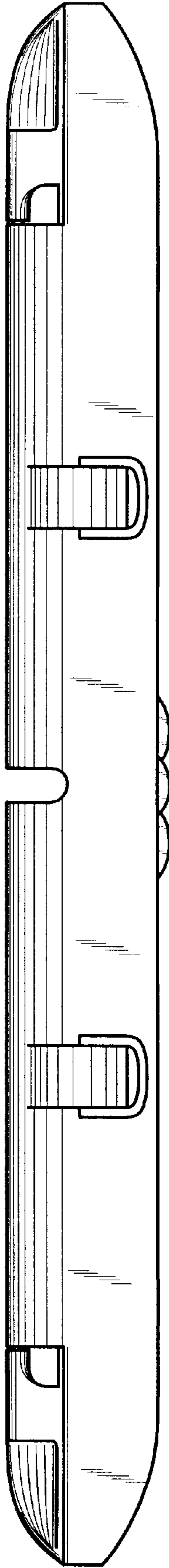


FIG. 16



FIG. 17



FIG. 18

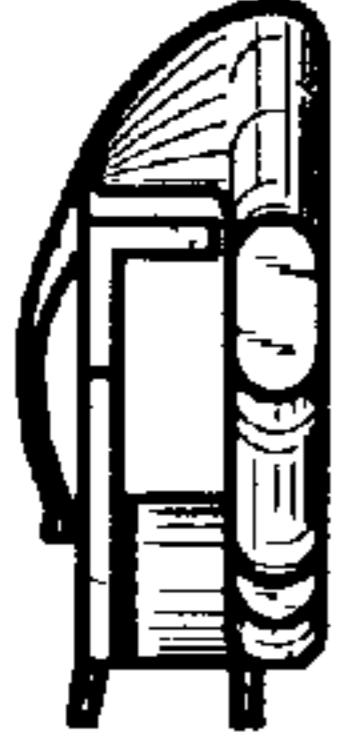


FIG. 20

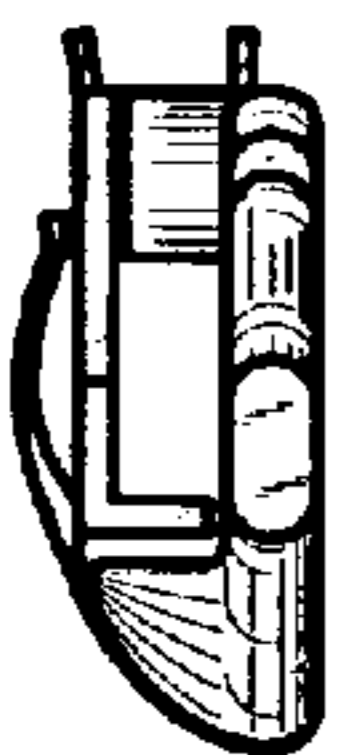


FIG. 19

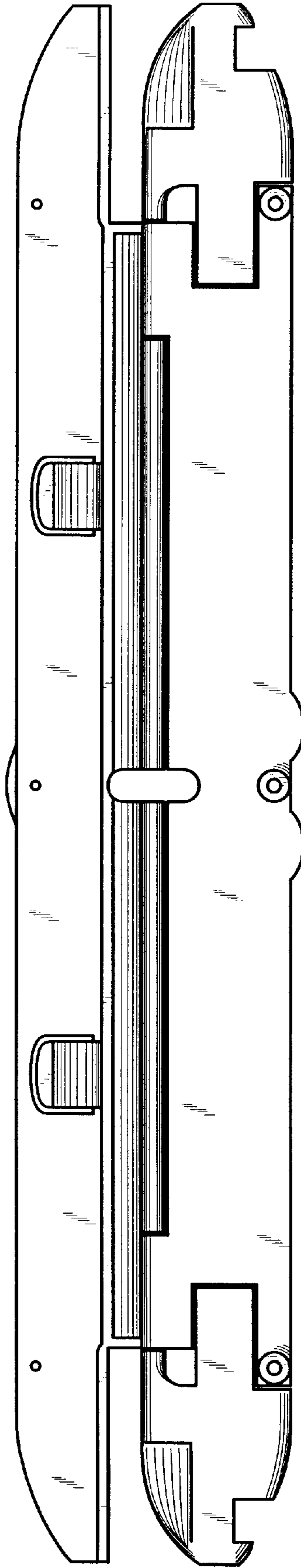


FIG. 21