



US00D413922S

United States Patent [19]

Thomas

[11] Patent Number: Des. 413,922

[45] Date of Patent: ** Sep. 14, 1999

[54] BINDER

3,453,060 7/1969 Caudle 402/45
4,890,728 1/1990 Grimsley 281/15.1

[76] Inventor: **Edgar G. Thomas**, 1551 Merrow Rd.,
Mississauga, Ontario, Canada, L5J 3C4

Primary Examiner—Martie K. Holtje
Attorney, Agent, or Firm—Oldham & Oldham Co., L.P.A.

[**] Term: 14 Years

[57] CLAIM

[21] Appl. No.: 29/076,453

The ornamental design for the binder, as shown in the accompanying drawings.

[22] Filed: Sep. 9, 1997

DESCRIPTION

[30] Foreign Application Priority Data

Mar. 12, 1997 [CA] Canada 1997-0592

FIG. 1 is a front perspective view of a binder showing my new design;

[51] LOC (6) Cl. 19-04

FIG. 2 is a front elevation view of the design shown in FIG. 1,

[52] U.S. Cl. D19/26; D19/27; D19/86

the rear view being substantially a mirror image thereof;

[58] Field of Search D19/26, 27, 32,
D19/33, 65, 75, 86, 99, 100; 281/3.1, 15.1,
17, 19.1, 20, 21.1, 29, 30, 31, 22, 27.1-27.3,
35, 44, 36, 45; 402/45, 77, 15, 75, 501

FIG. 3 is a view taken along line 3—3 of FIG. 2, showing detail of the ornamental border of the front face of the binder, the same border appearing on the rear face also;

FIG. 4 is a bottom view taken from the bottom of the binder as shown in FIG. 2, the top view being substantially a mirror image thereof; and,

[56] References Cited

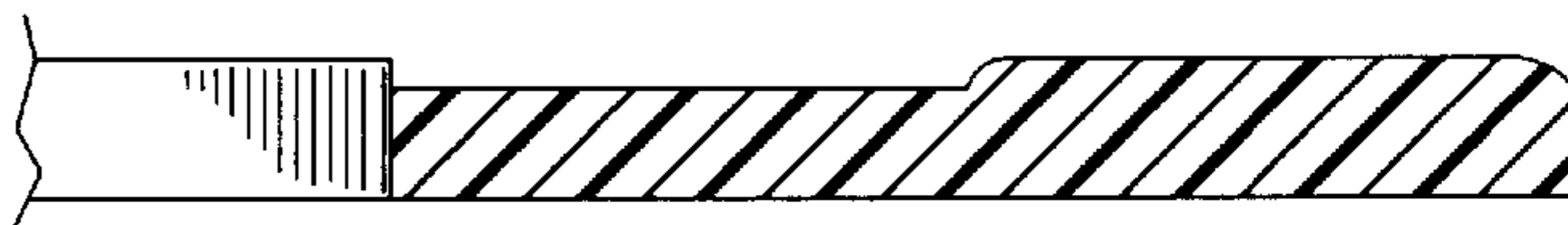
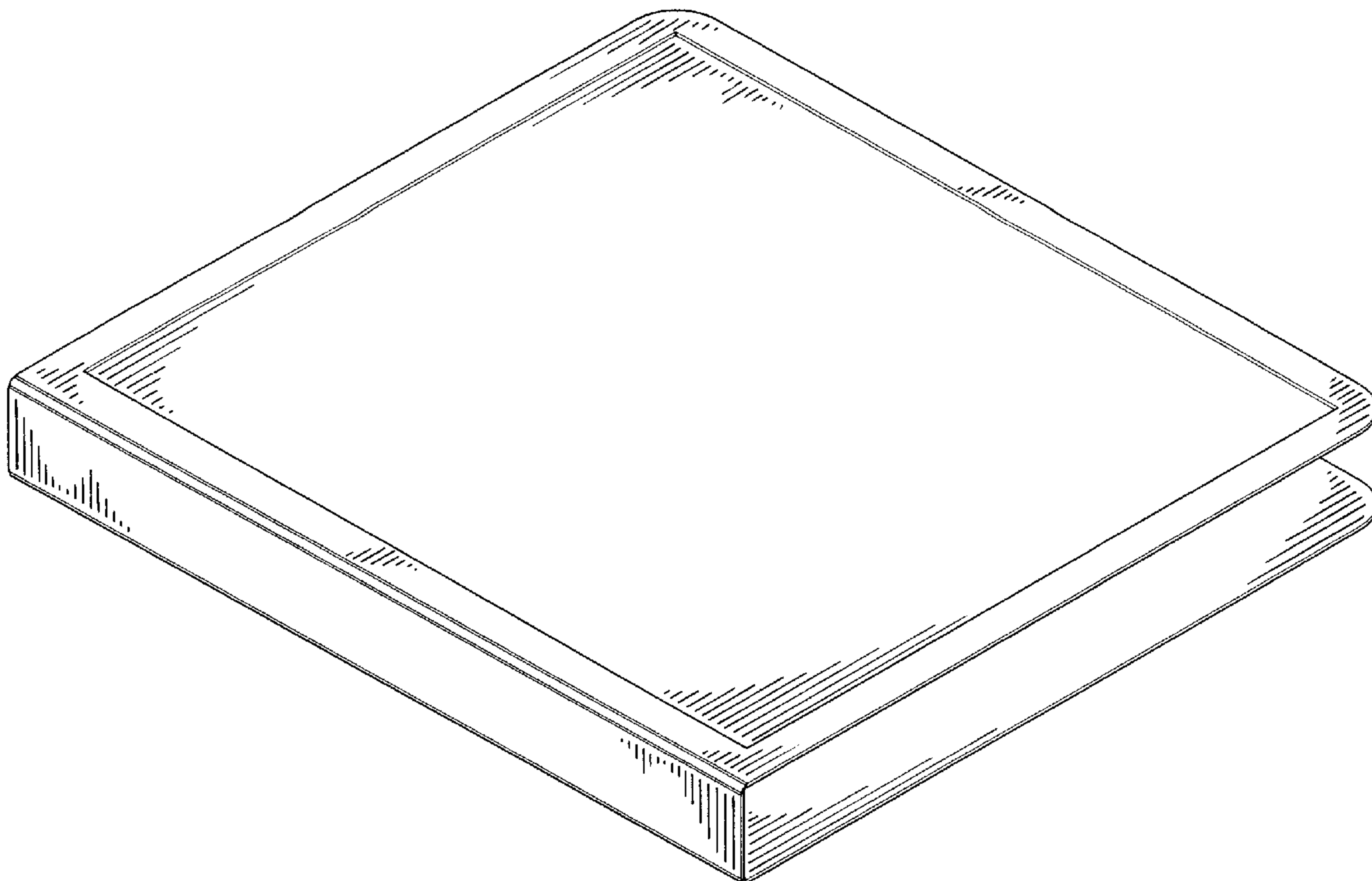
U.S. PATENT DOCUMENTS

D. 400,578 11/1998 Takemura D19/26
2,133,069 10/1938 Williamson 402/15
2,772,427 12/1956 Rankin 402/75

FIG. 5 is an enlarged view with reference to the circled portion of FIG. 4, showing further detail of the hinge.

The right side not shown is unornamented.

1 Claim, 2 Drawing Sheets



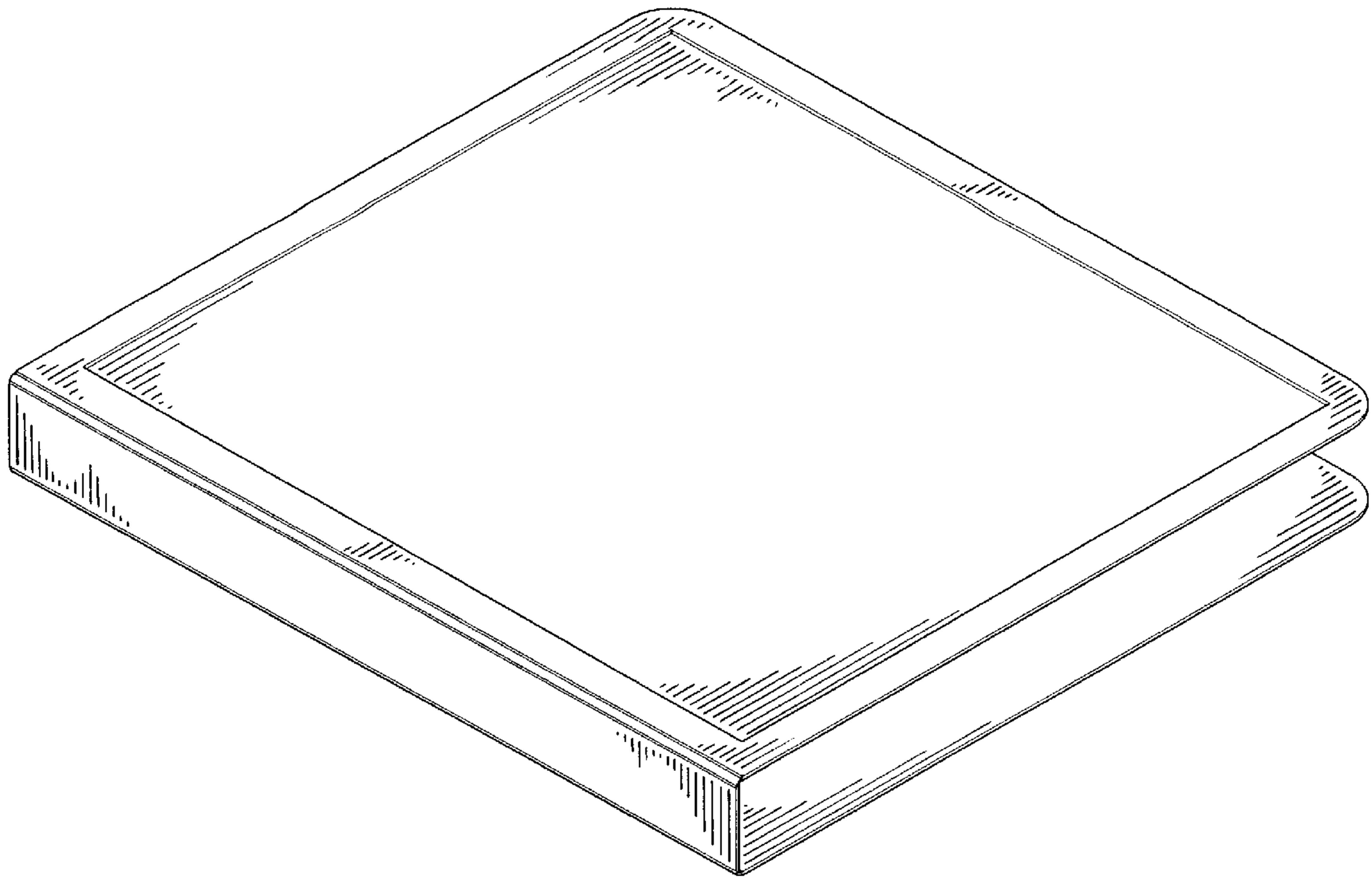


FIG. 1

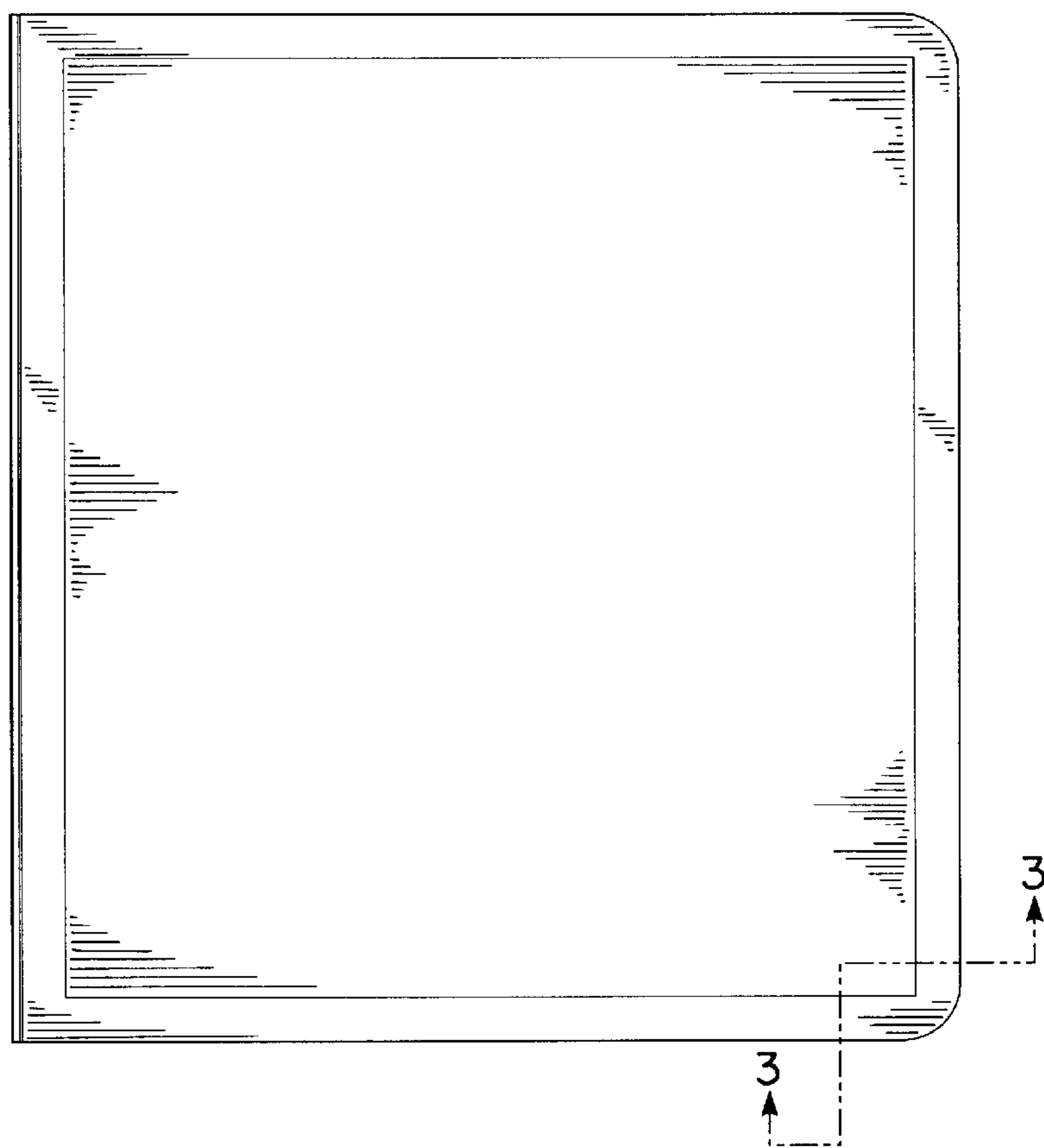


FIG. 2

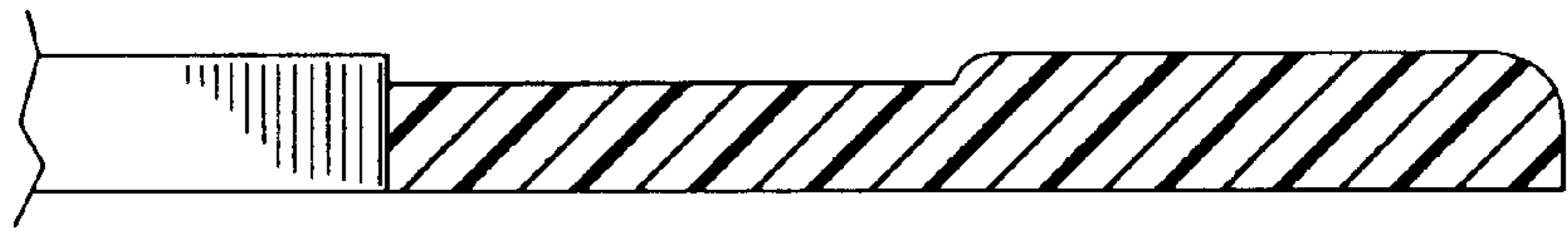


FIG. 3

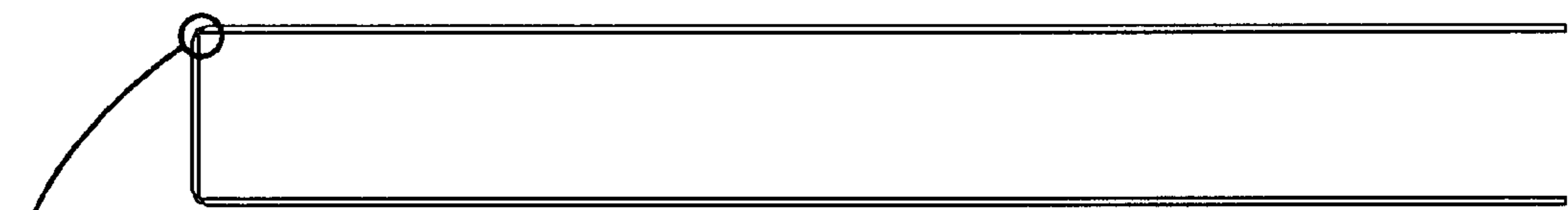


FIG. 4

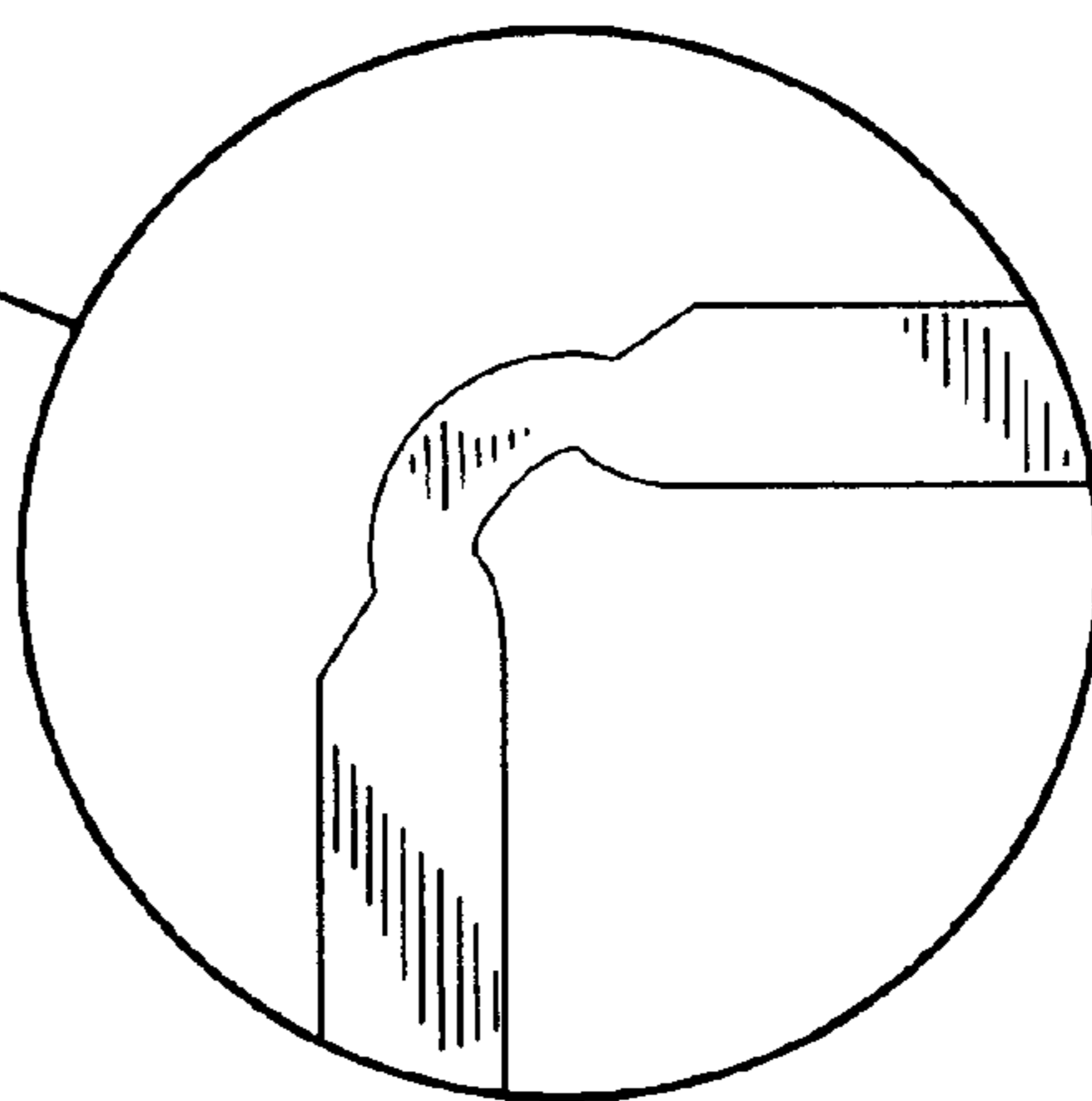


FIG. 5