



US00D413914S

United States Patent [19]
Tsubooka

[11] **Patent Number: Des. 413,914**

[45] **Date of Patent: ** Sep. 14, 1999**

[54] **SWIMMING GOGGLES**

[75] Inventor: **Toru Tsubooka**, Higashi-Osaka, Japan

[73] Assignee: **Yamamoto Kogaku Co., Ltd.**,
Higashi-Osaka, Japan

[**] Term: **14 Years**

[21] Appl. No.: **29/082,282**

[22] Filed: **Jan. 20, 1998**

[30] **Foreign Application Priority Data**

Aug. 8, 1997 [JP] Japan 9-64449

[51] **LOC (6) Cl.** **16-01**

[52] **U.S. Cl.** **D16/303**

[58] **Field of Search** D16/101, 300,
D16/303, 306, 311, 315; D29/109-110;
D24/110.2; 2/428, 430, 432, 447, 449;
351/41, 44, 153, 158

[56] **References Cited**

U.S. PATENT DOCUMENTS

- D. 352,514 11/1994 Shelton D16/303
- D. 370,927 6/1996 Yashiro D16/311
- D. 370,928 6/1996 Yashiro D16/311
- D. 377,038 12/1996 Yashiro D16/311

- D. 395,666 6/1998 Yashiro D16/303
- 5,459,882 10/1995 Yamamoto 2/428

Primary Examiner—Raphael Barkai
Attorney, Agent, or Firm—Oblon, Spivak, McClelland,
Maier & Neustadt, P.C.

[57] **CLAIM**

The ornamental design for swimming goggles, as shown and described.

DESCRIPTION

FIG. 1 is a front elevational view of swimming goggles showing my new design;
 FIG. 2 is a rear elevational view thereof;
 FIG. 3 is a top plan view thereof, the bottom view thereof being a mirror image of the top plan view;
 FIG. 4 is a right-hand side view thereof, the left-hand side view thereof being a mirror image of the side shown;
 FIG. 5 is a perspective view thereof;
 FIG. 6 is an enlarged partial view thereof showing the state where a belt connecting portion is detached from the corresponding eyecup;
 FIG. 7 is an enlarged partial view thereof showing the state where the belt connecting portion is in open position; and,
 FIG. 8 is an enlarged sectional view of the belt thereof.

1 Claim, 5 Drawing Sheets

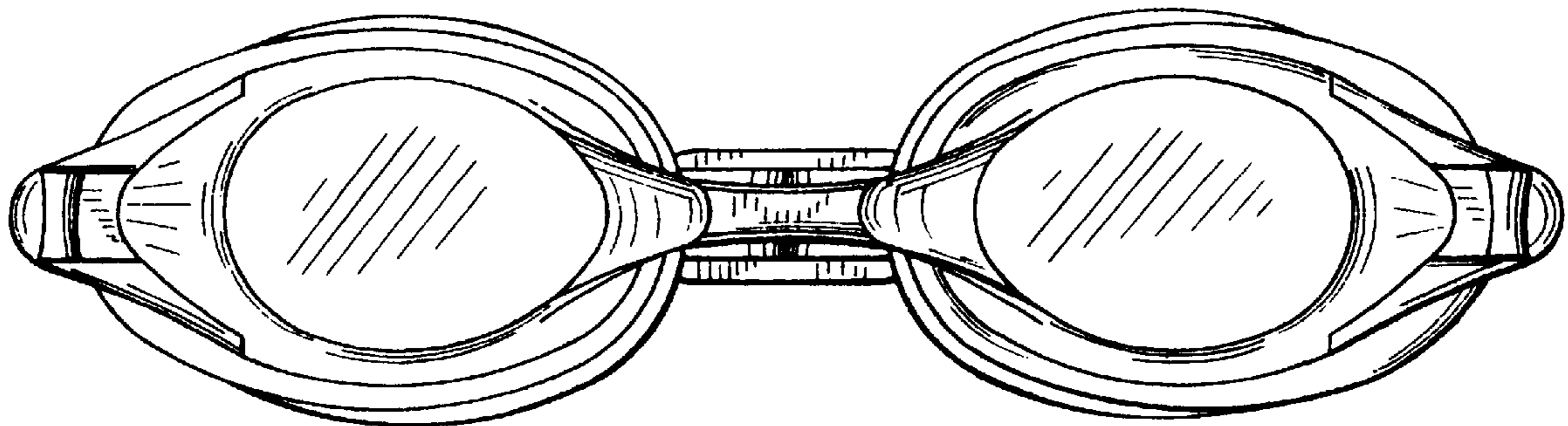


FIG.1

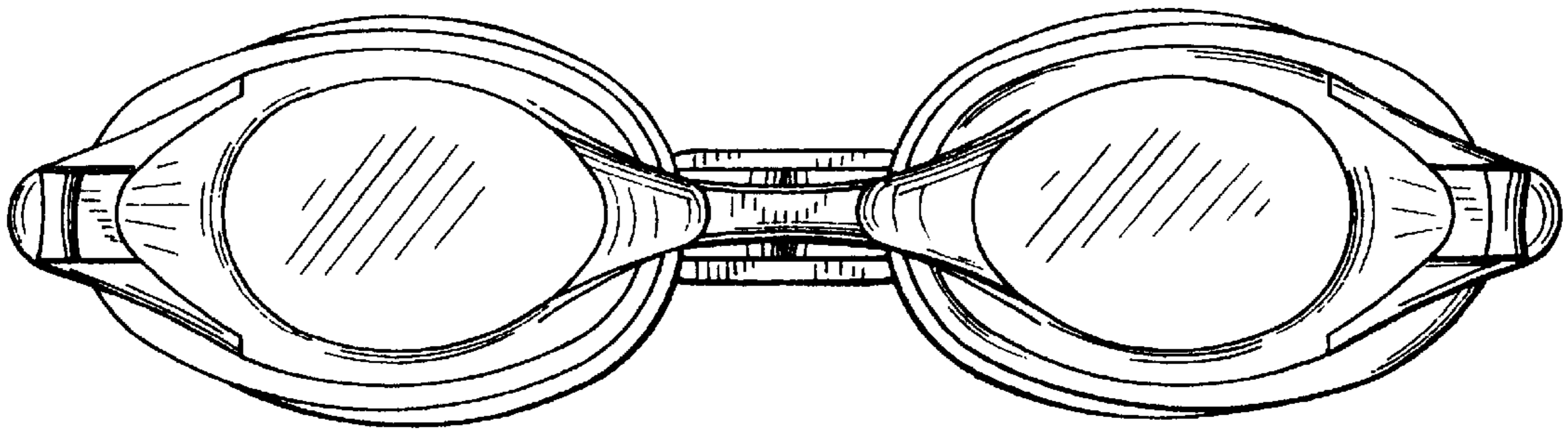


FIG.2

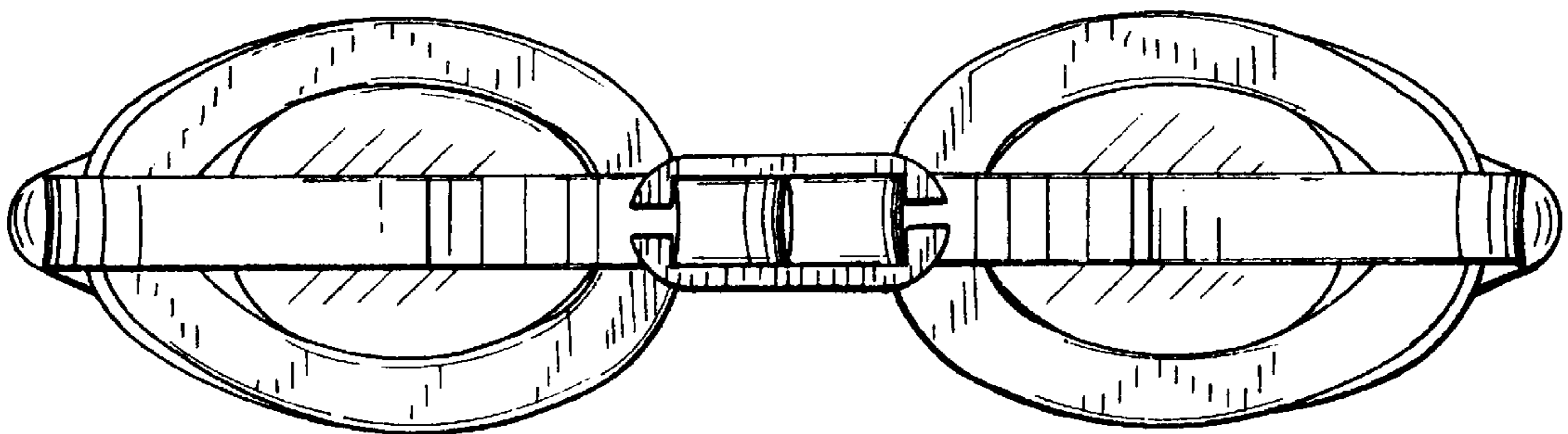


FIG. 3

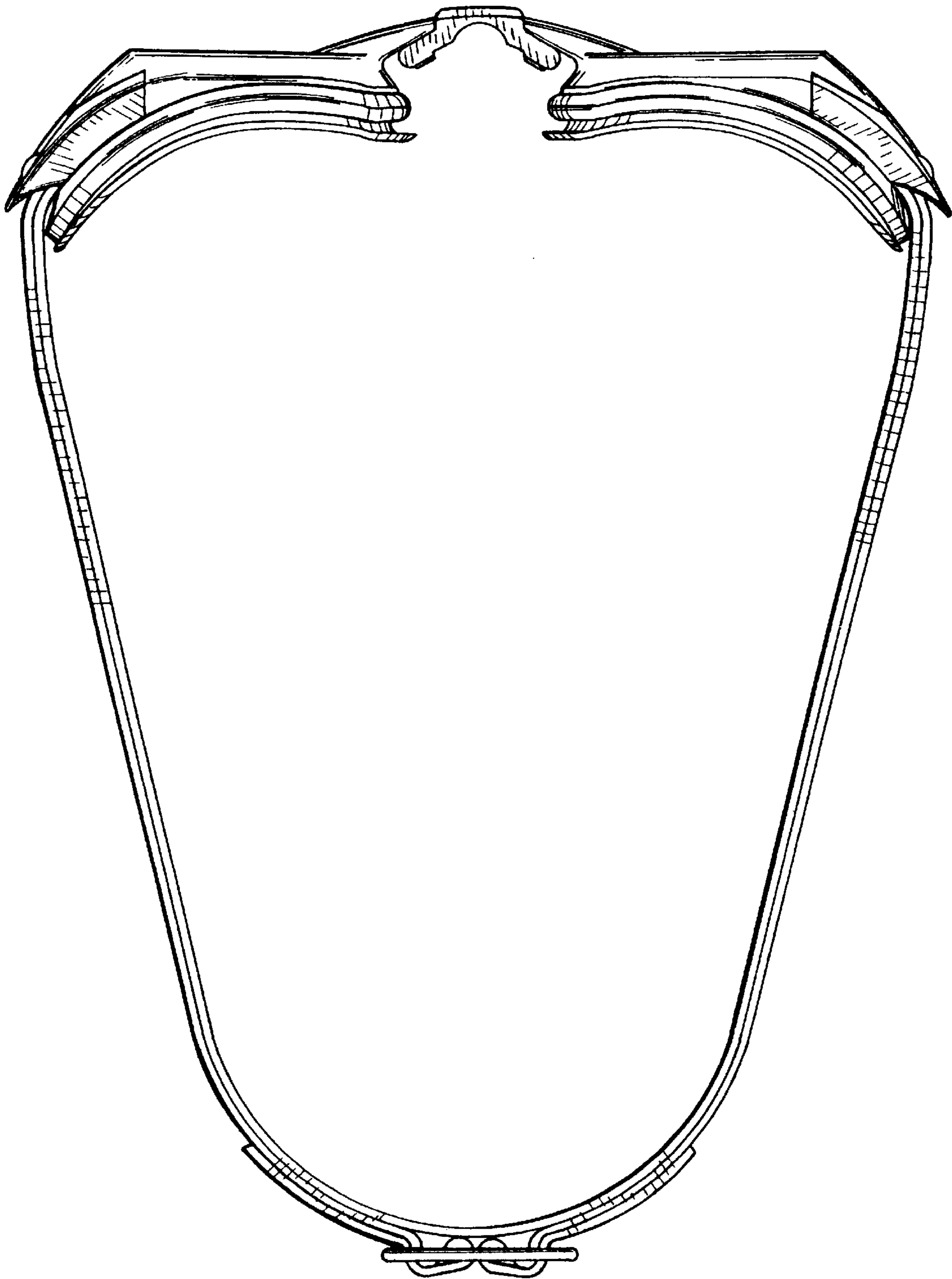


FIG. 4

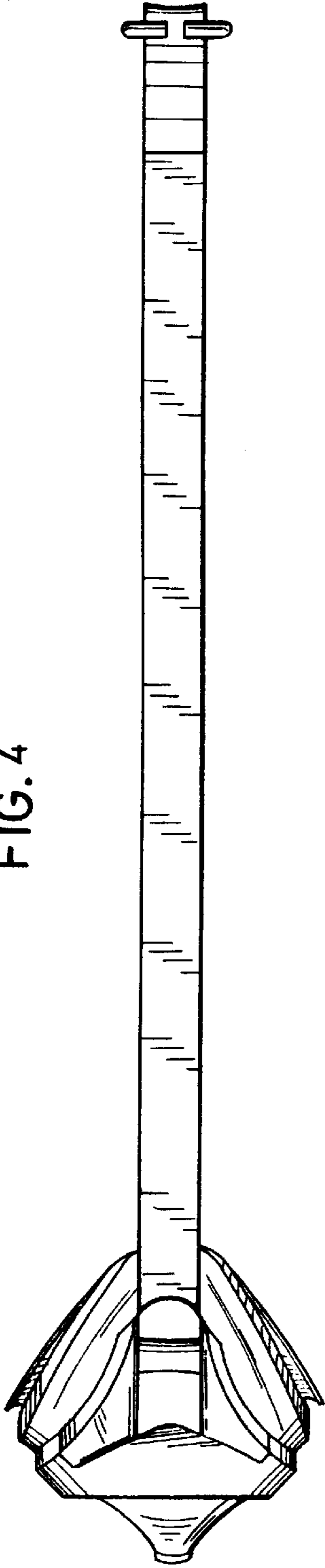


FIG. 7

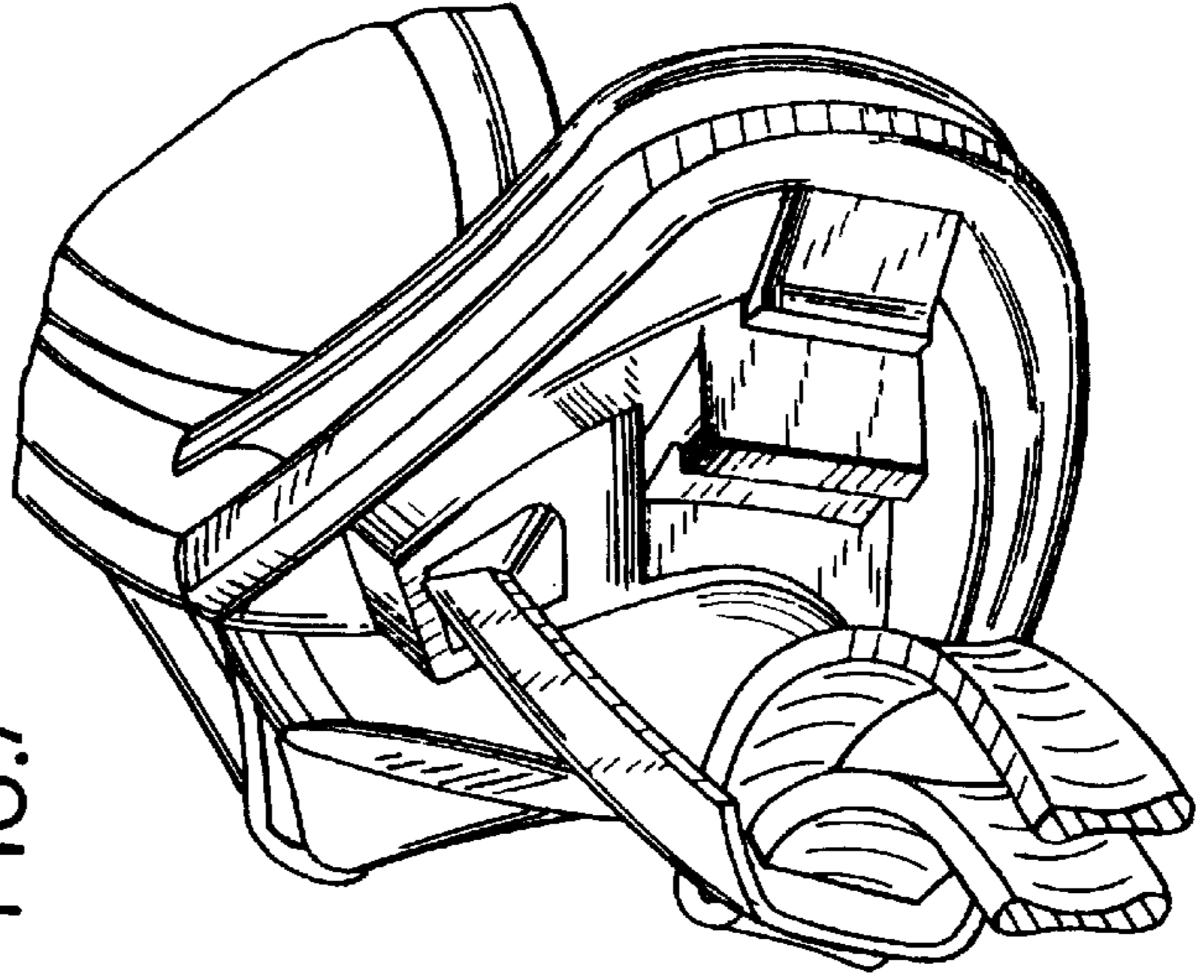


FIG. 6

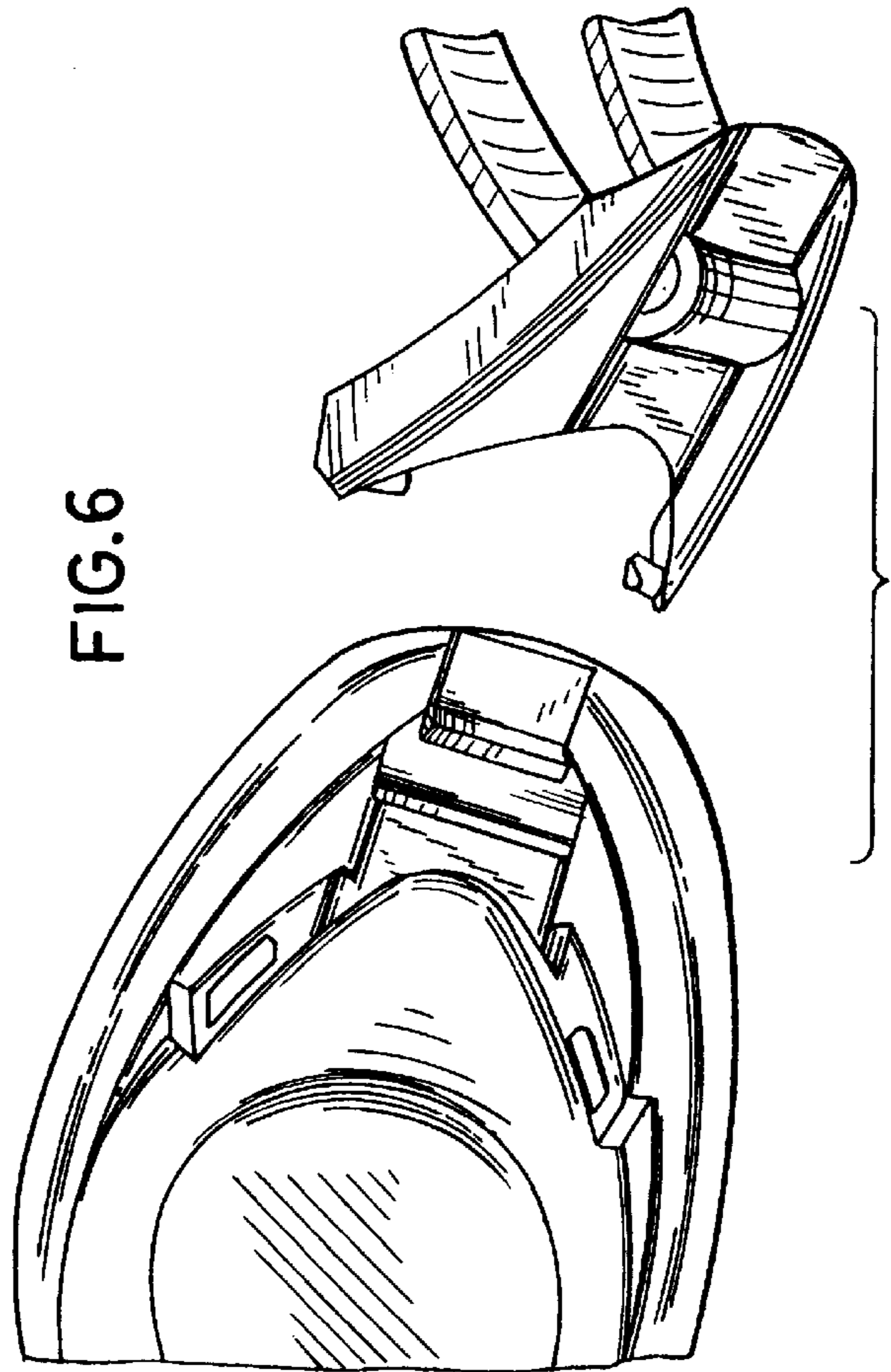


FIG. 5

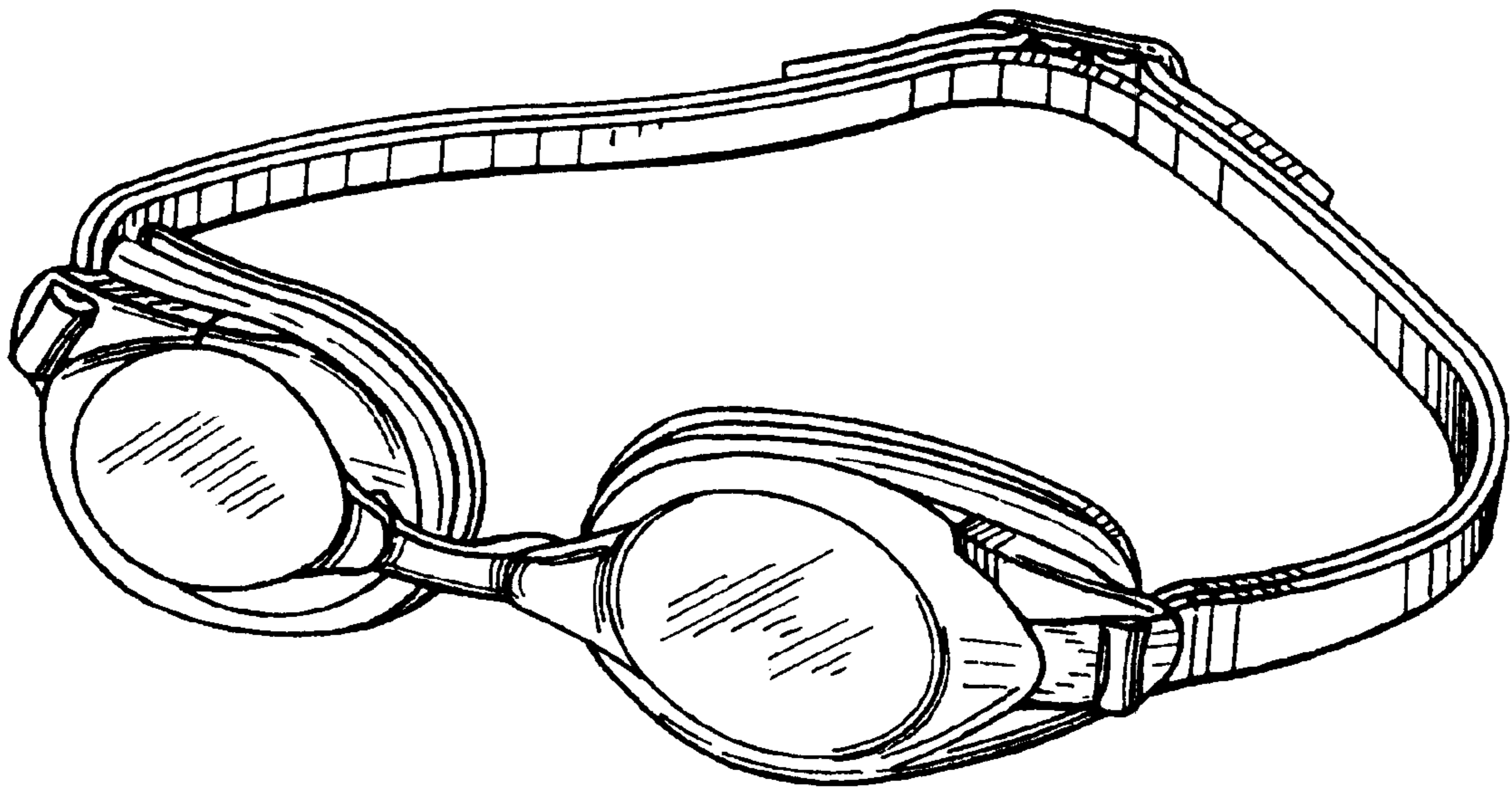


FIG. 8

