



US00D413912S

United States Patent [19] Hayashi

[11] Patent Number: **Des. 413,912**

[45] Date of Patent: **** Sep. 14, 1999**

[54] **SINGLE-LENS REFLEX CAMERA BODY**

[75] Inventor: **Tatsuyuki Hayashi**, Tokyo, Japan

[73] Assignee: **Asahi Kogaku Kogyo Kabushiki Kaisha**, Tokyo, Japan

[**] Term: **14 Years**

[21] Appl. No.: **29/097,970**

[22] Filed: **Dec. 18, 1998**

[30] **Foreign Application Priority Data**

Jun. 19, 1998 [JP] Japan 10-17709

[51] **LOC (6) Cl.** **16-01**

[52] **U.S. Cl.** **D16/217**

[58] **Field of Search** D16/200-205,
D16/208, 209, 216-218; 396/354-359,
535-543

[56] **References Cited**

U.S. PATENT DOCUMENTS

D. 283,713 5/1986 Maitani D16/217

D. 370,926 6/1996 Nakamura D16/217
D. 388,109 12/1997 Kimura et al. D16/217
D. 388,808 1/1998 Haga D16/217
3,964,078 6/1976 Kurei et al. 396/357

Primary Examiner—Adir Aronovich
Attorney, Agent, or Firm—Sughrue, Mion, Zinn, Macpeak & Seas, PLLC

[57] **CLAIM**

The ornamental design for a single-lens reflex camera body, as shown.

DESCRIPTION

FIG. 1 is a perspective view of the top, front and right side of a single-lens reflex camera body showing my new design; FIG. 2 is a top plan view thereof; FIG. 3 is a front elevational view thereof; FIG. 4 is a right side elevational view thereof; FIG. 5 is a left side elevational view thereof; FIG. 6 is a rear elevational view thereof; and, FIG. 7 is a bottom plan view thereof.

1 Claim, 4 Drawing Sheets

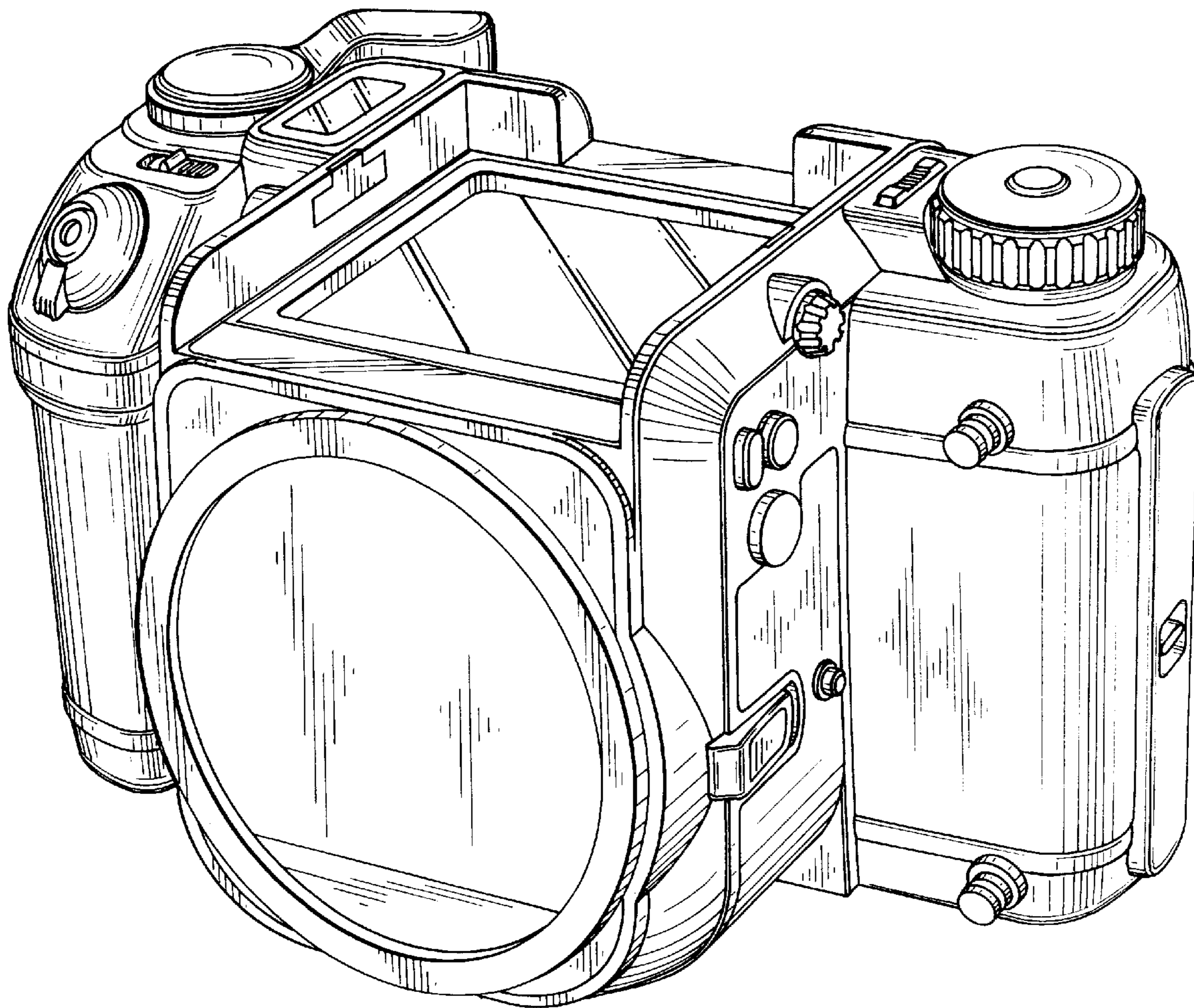


FIG. 1

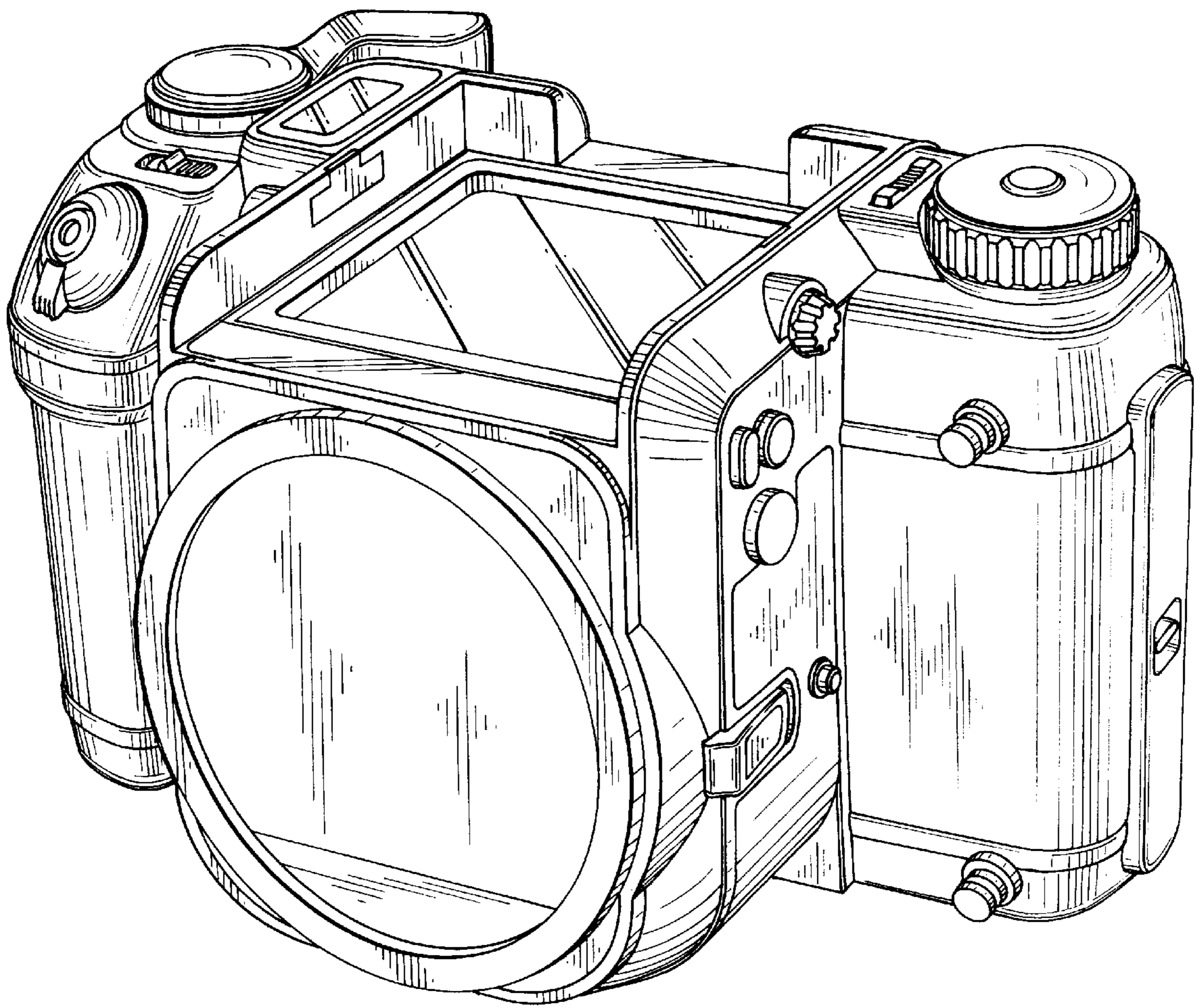


FIG. 2

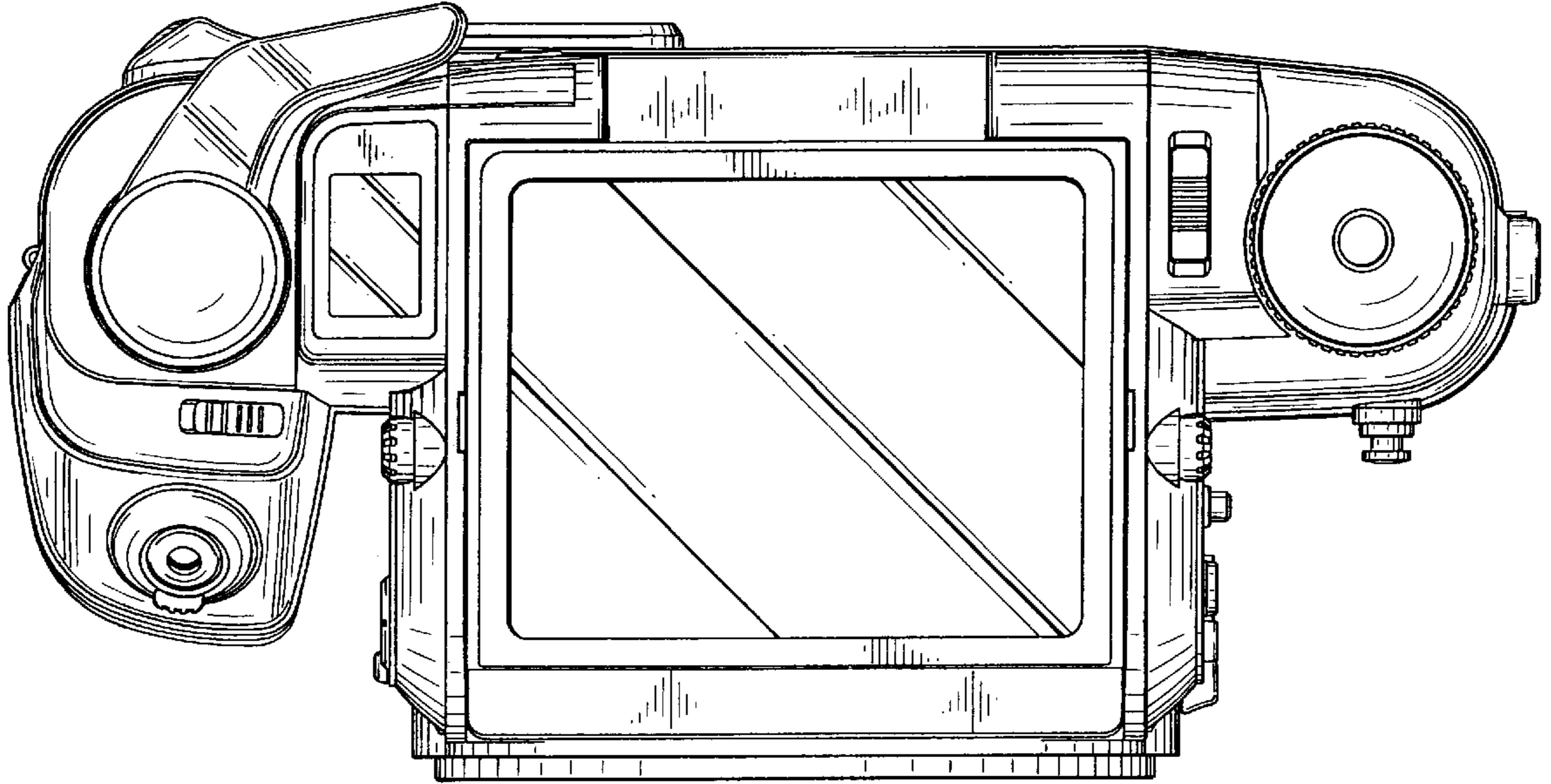


FIG. 3

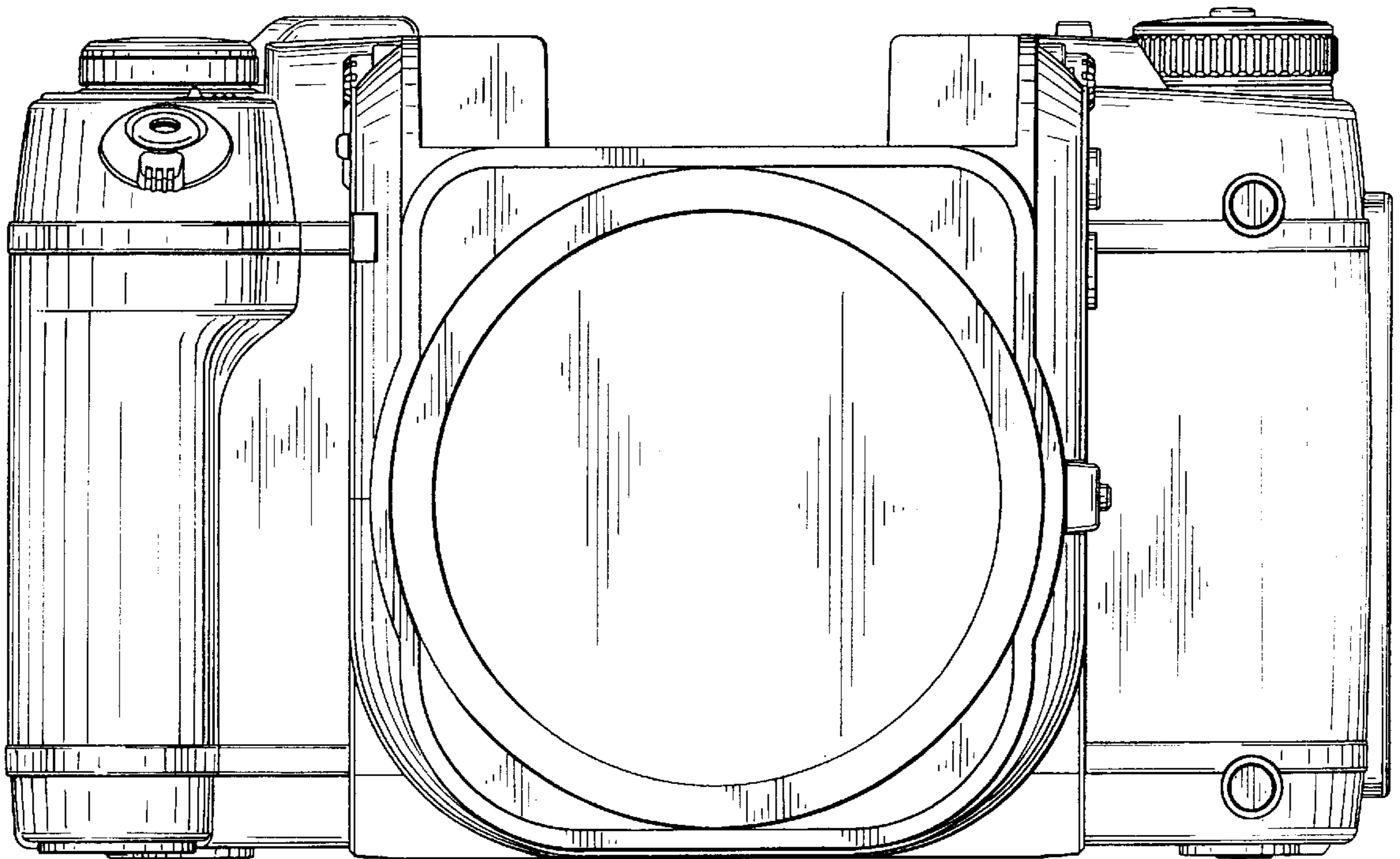


FIG. 4

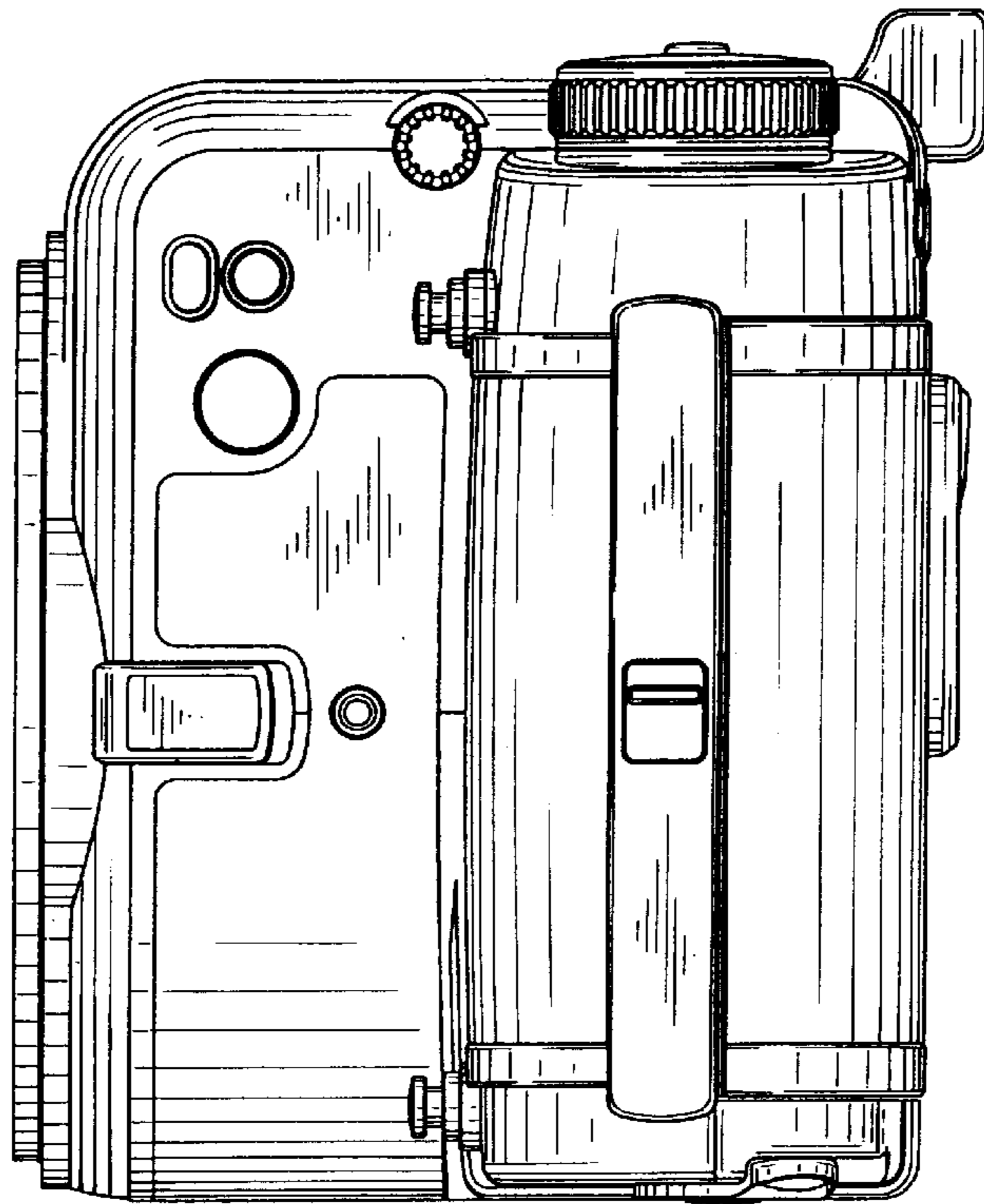


FIG. 5

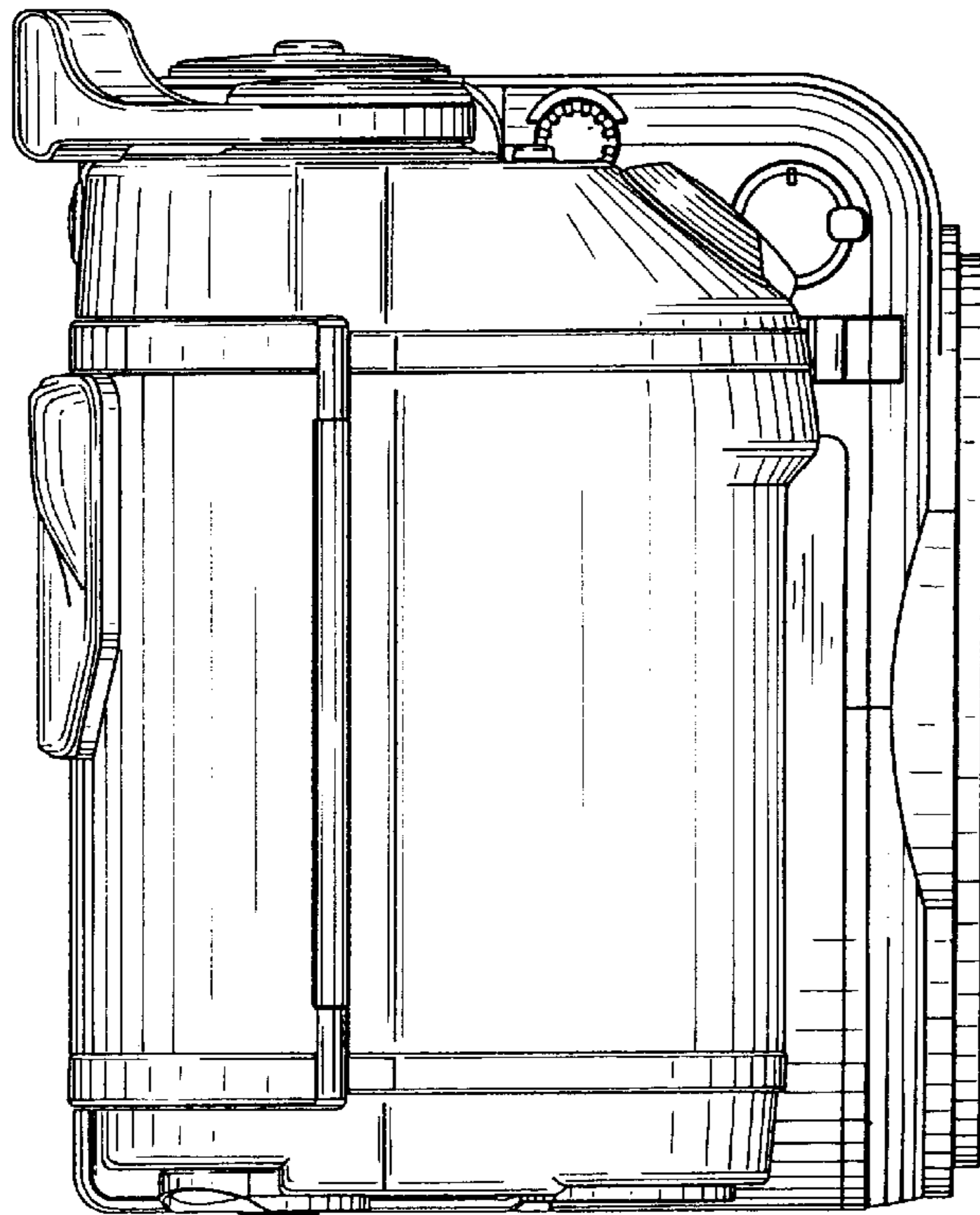


FIG. 6

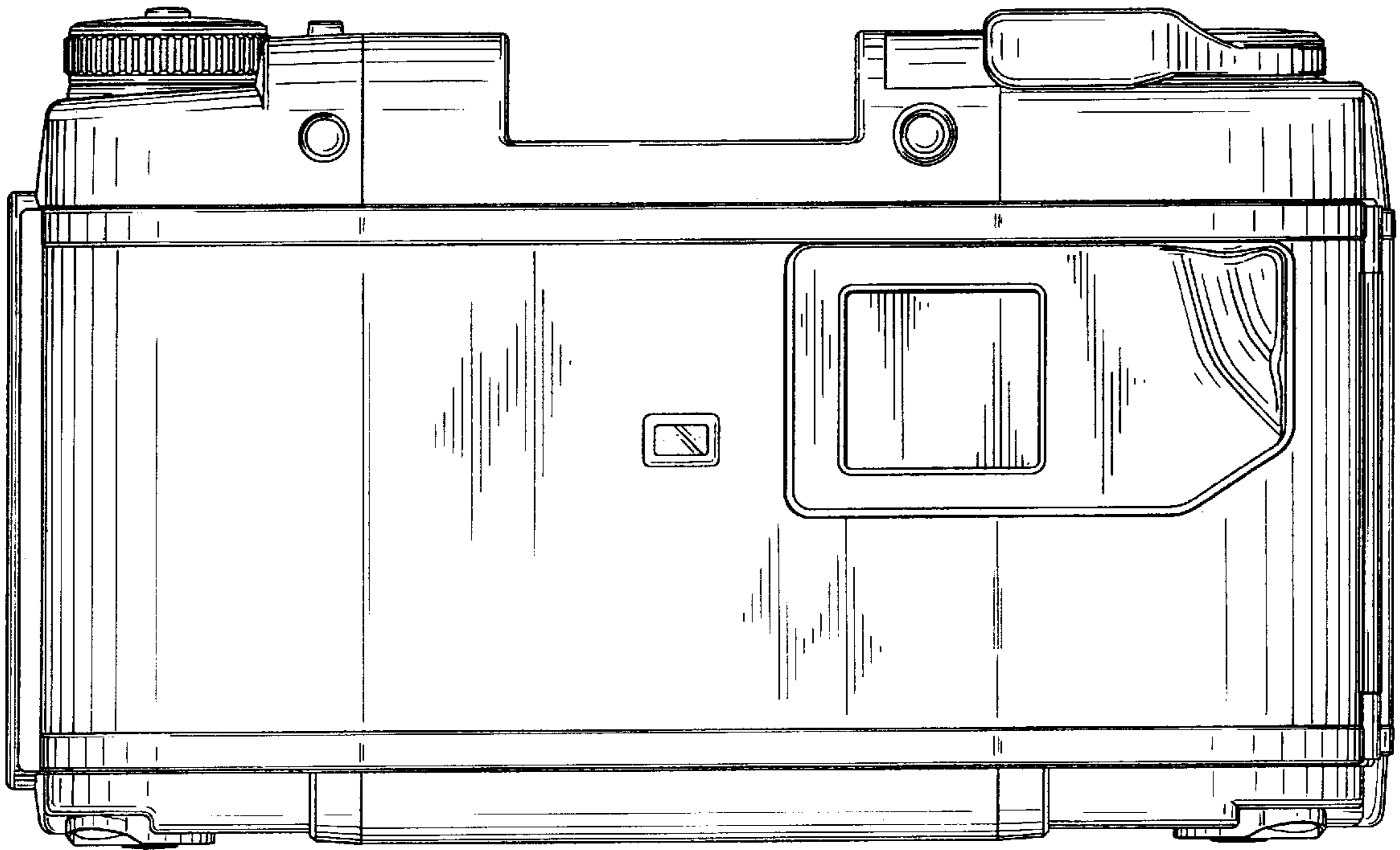


FIG. 7

