



US00D413911S

# United States Patent [19]

Goto et al.

[11] Patent Number: Des. 413,911

[45] Date of Patent: \*\* Sep. 14, 1999

[54] COMBINED VIDEO CAMERA WITH VIDEO TAPE RECORDER

D. 406,157 2/1999 Goto ..... D16/202  
5,738,321 4/1998 Moriyasu ..... 348/373

[75] Inventors: Masaaki Goto; Shigetada Ninomiya, both of Ehime, Japan

[73] Assignee: Matsushita Electric Industrial Co., Ltd., Japan

[\*\*] Term: 14 Years

[21] Appl. No.: 29/097,830

[22] Filed: Dec. 14, 1998

[30] Foreign Application Priority Data

Jul. 10, 1998 [JP] Japan ..... 10-20128

[51] LOC (6) Cl. .... 16-01

[52] U.S. Cl. .... D16/202

[58] Field of Search ..... D16/200-208;  
348/373-376; 358/906; 352/242, 243

[56] References Cited

### U.S. PATENT DOCUMENTS

D. 372,255 7/1996 Nakamura ..... D16/202  
D. 391,281 2/1998 Itakura et al. .... D16/202  
D. 394,075 5/1998 Ninomiya ..... D16/202  
D. 401,256 11/1998 Harata ..... D16/202

### OTHER PUBLICATIONS

Sony model "DCR-TRV7" from catalogue issued before Jul. 10, 1998.

Primary Examiner—Adir Aronovich  
Attorney, Agent, or Firm—Saidman DesignLaw Group

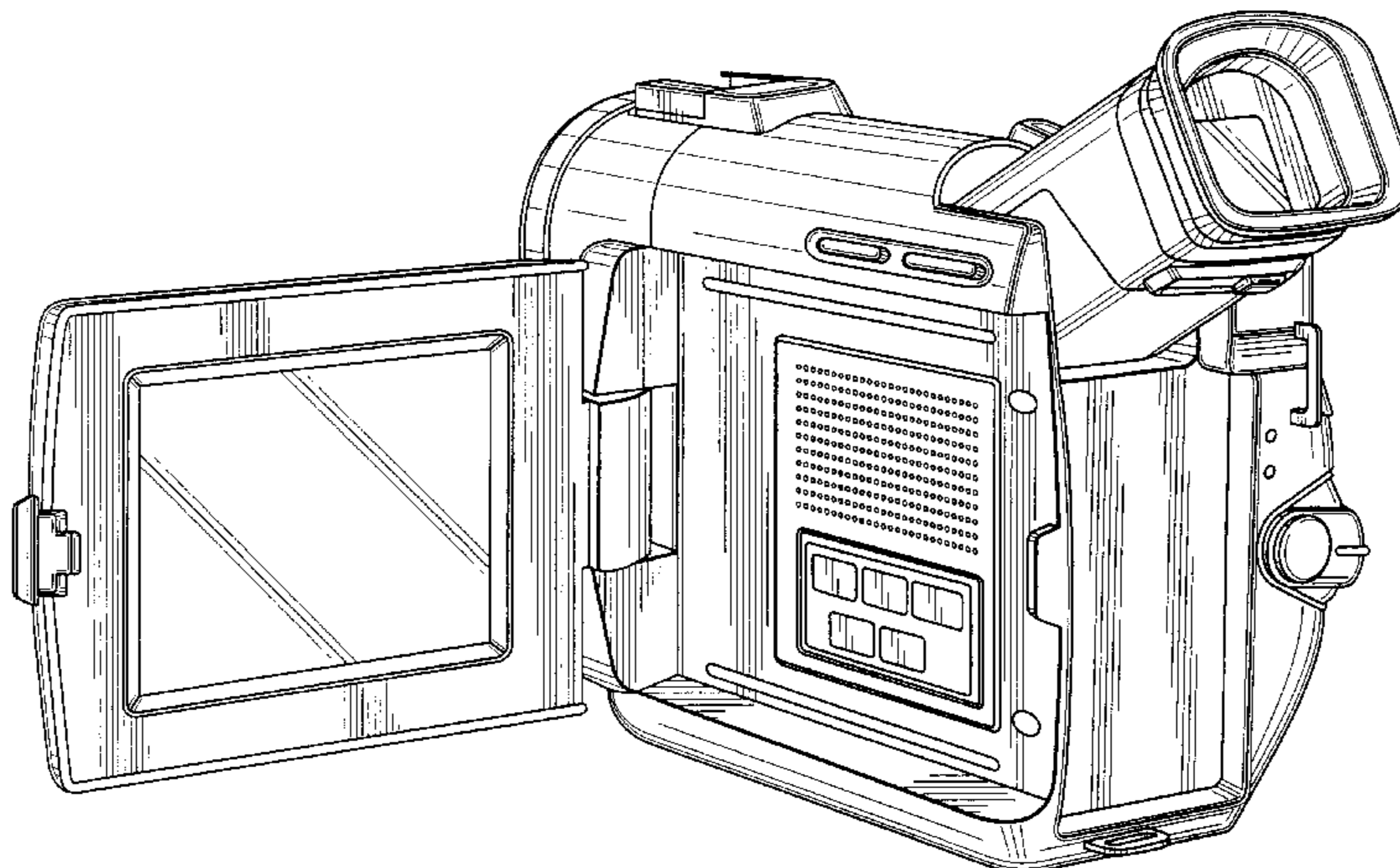
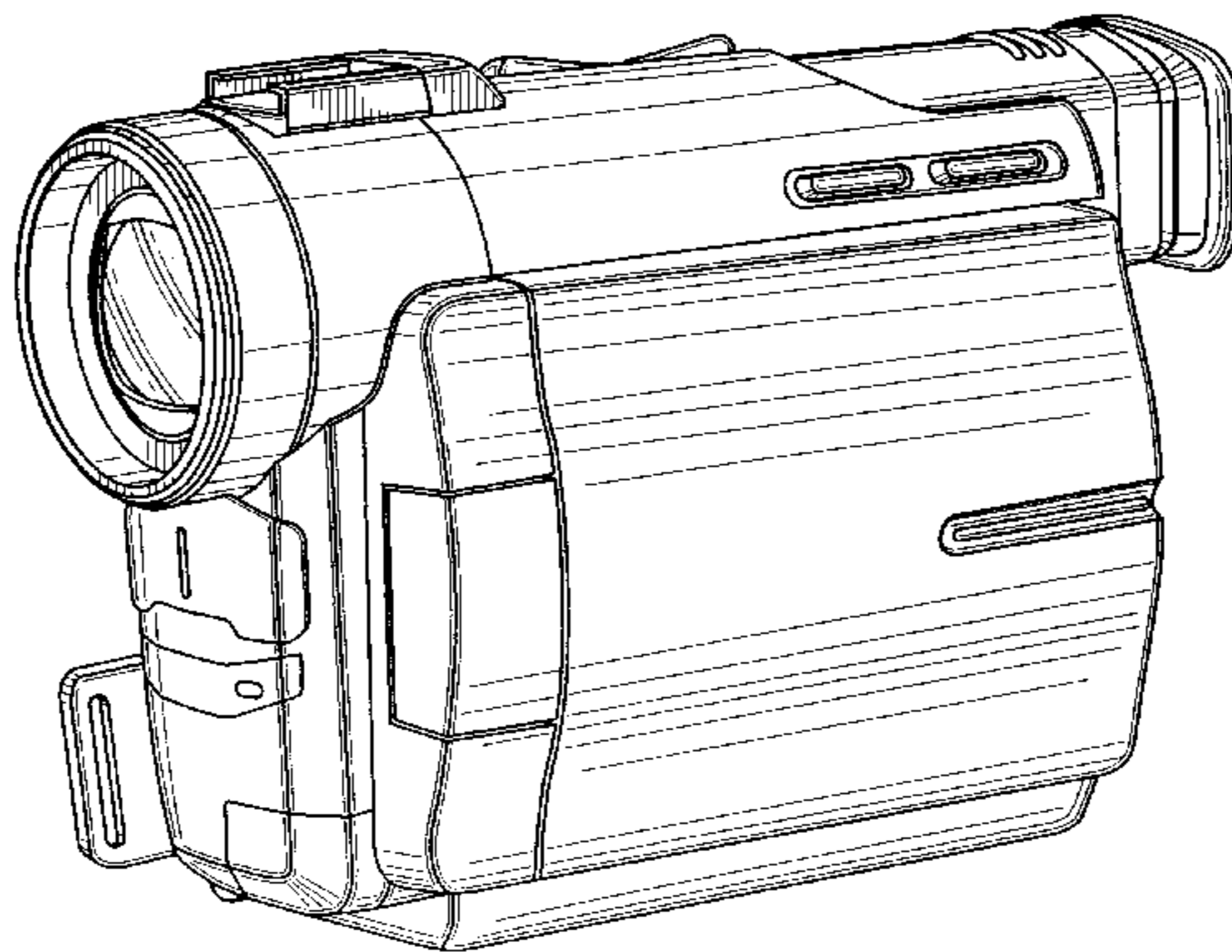
### [57] CLAIM

The ornamental design for a combined video camera with video tape recorder, as shown and described.

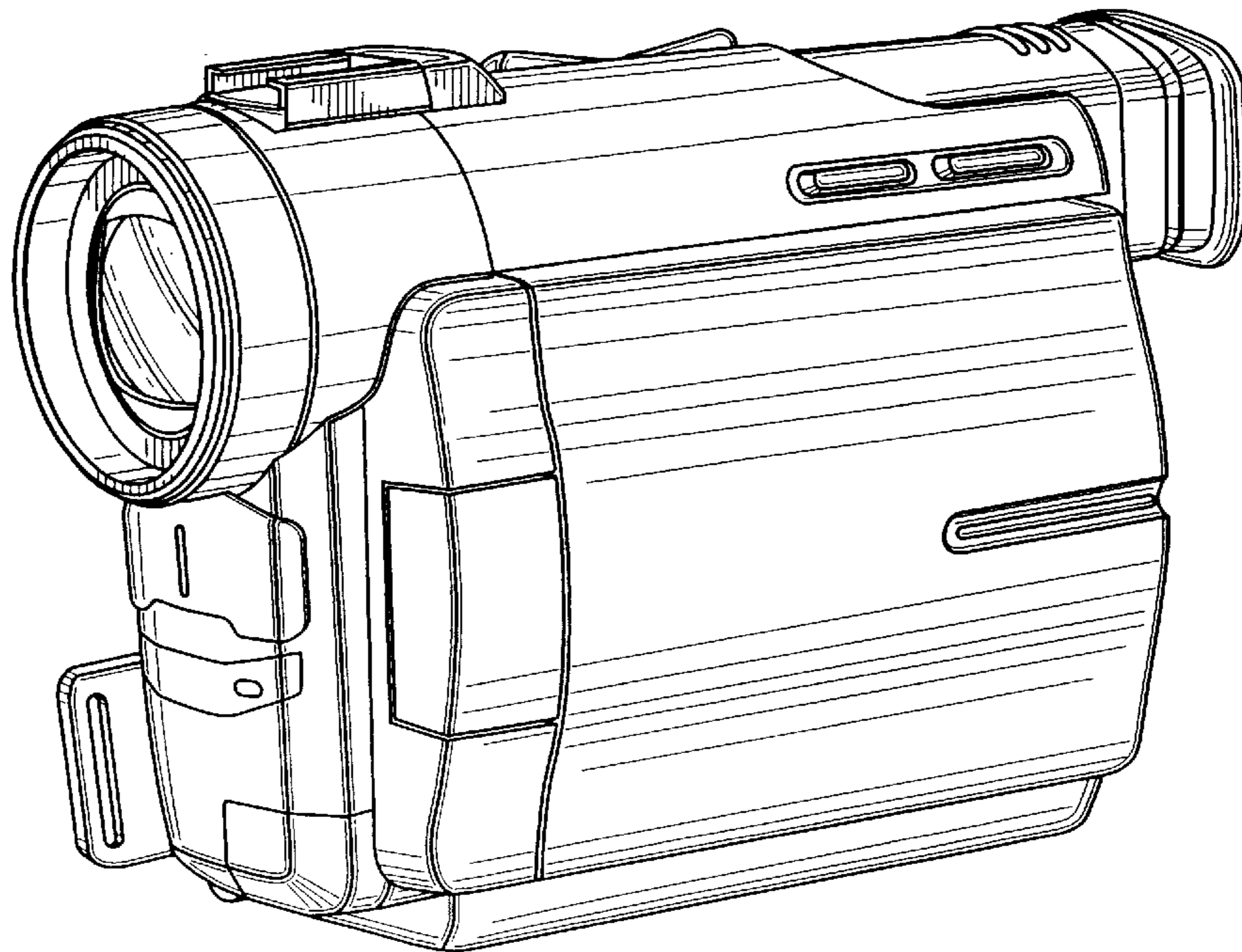
### DESCRIPTION

FIG. 1 is a perspective view of the top, front and right side of a combined video camera with video camera with video tape recorder showing our new design;  
FIG. 2 is a front view thereof;  
FIG. 3 is a rear view thereof;  
FIG. 4 is a top plan view thereof;  
FIG. 5 is a bottom view thereof;  
FIG. 6 is a right side view thereof;  
FIG. 7 is a left side view thereof; and,  
FIG. 8 is a perspective view of top, rear and right side thereof showing the LCD monitor in open condition and the eyepiece in operative position.

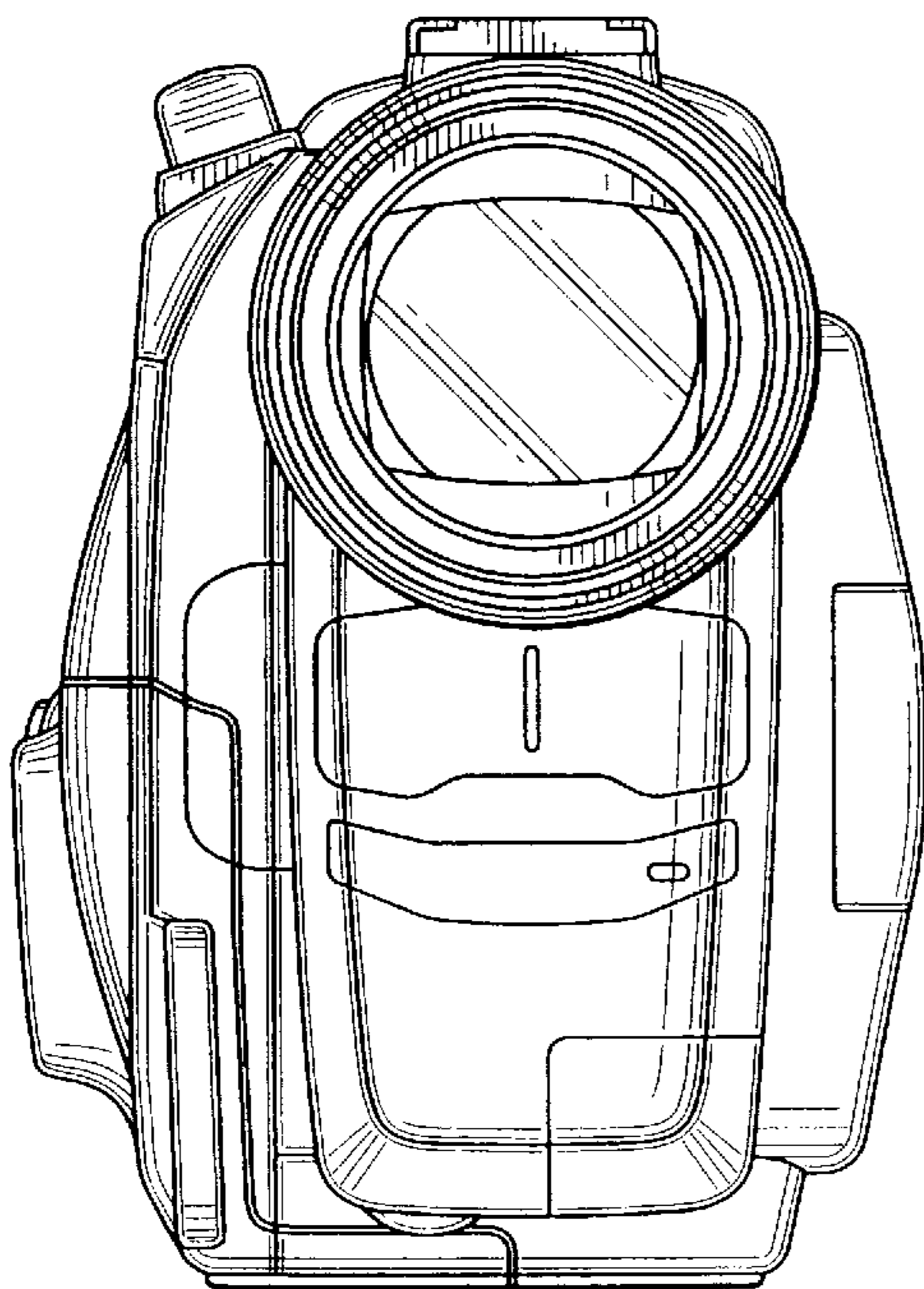
1 Claim, 4 Drawing Sheets



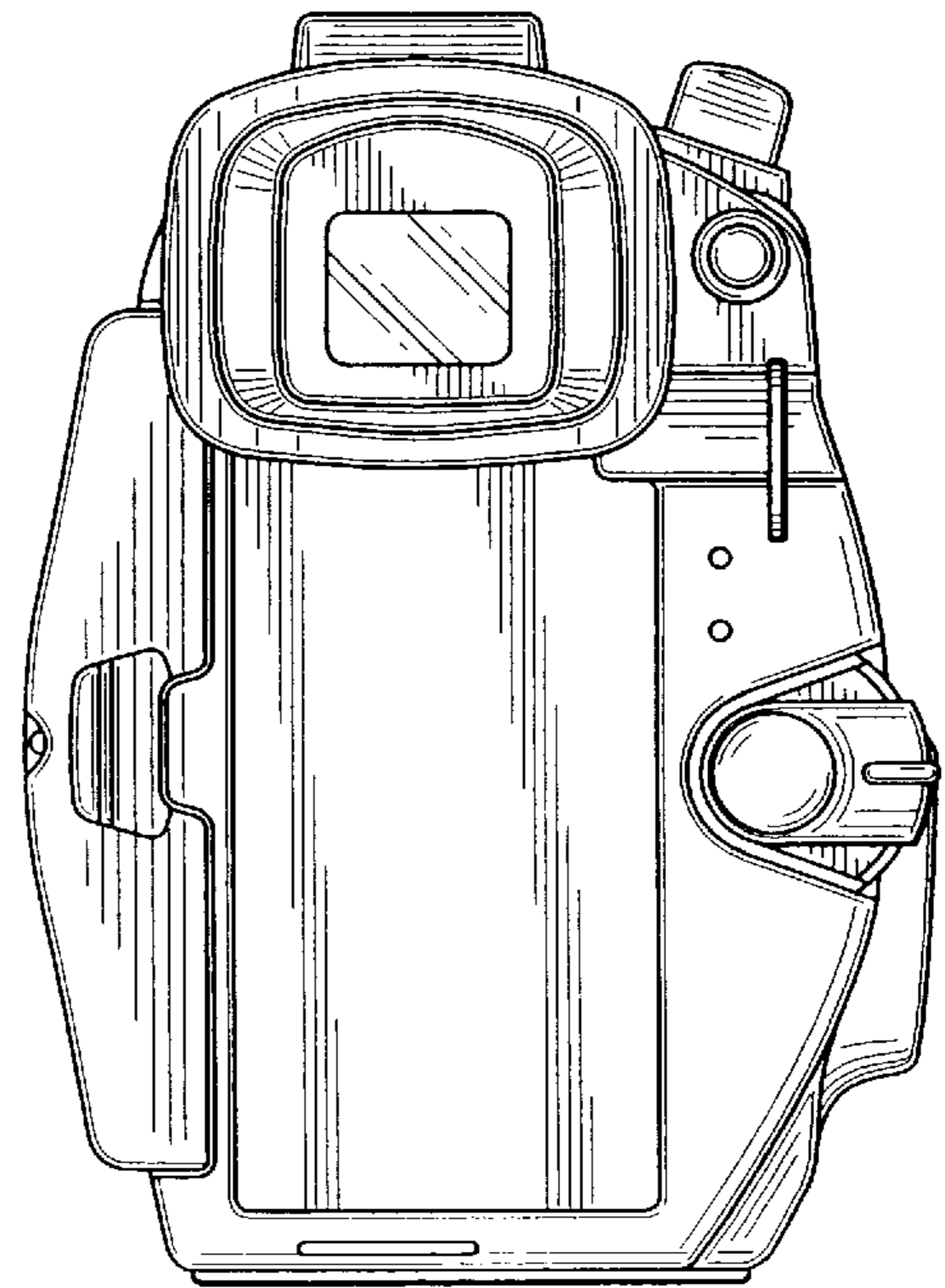
*FIG. 1*



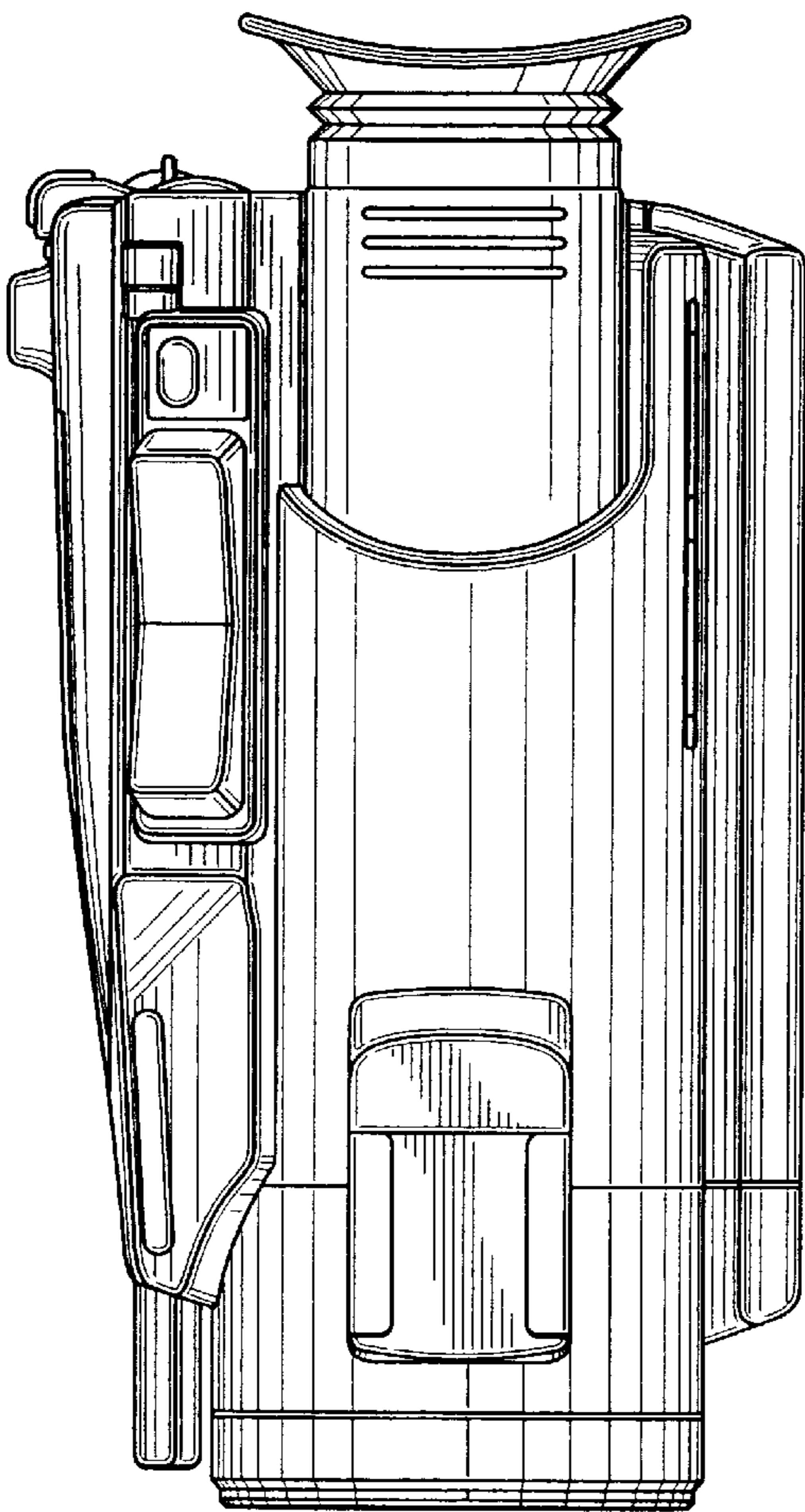
*FIG. 2*



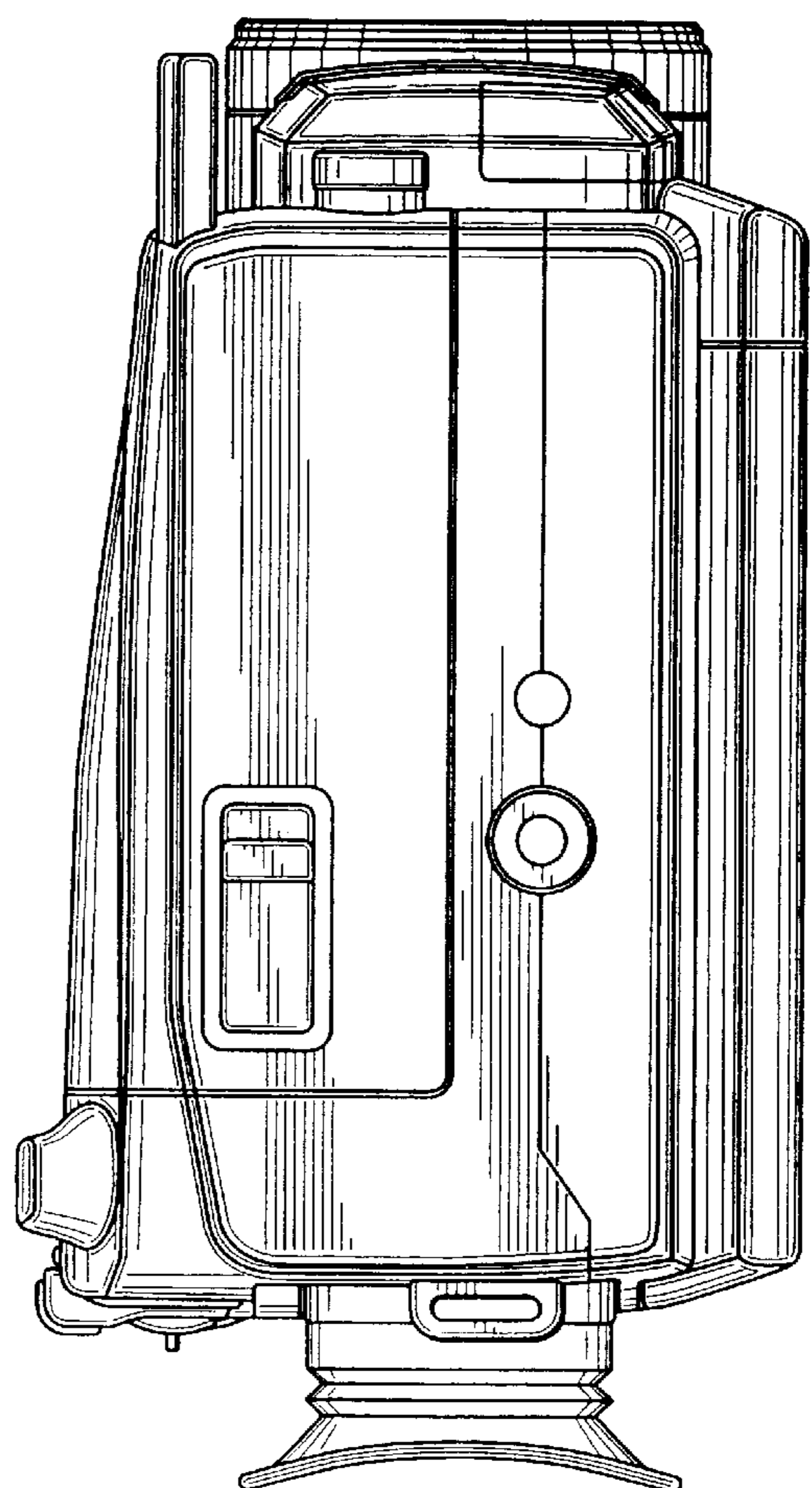
*FIG. 3*



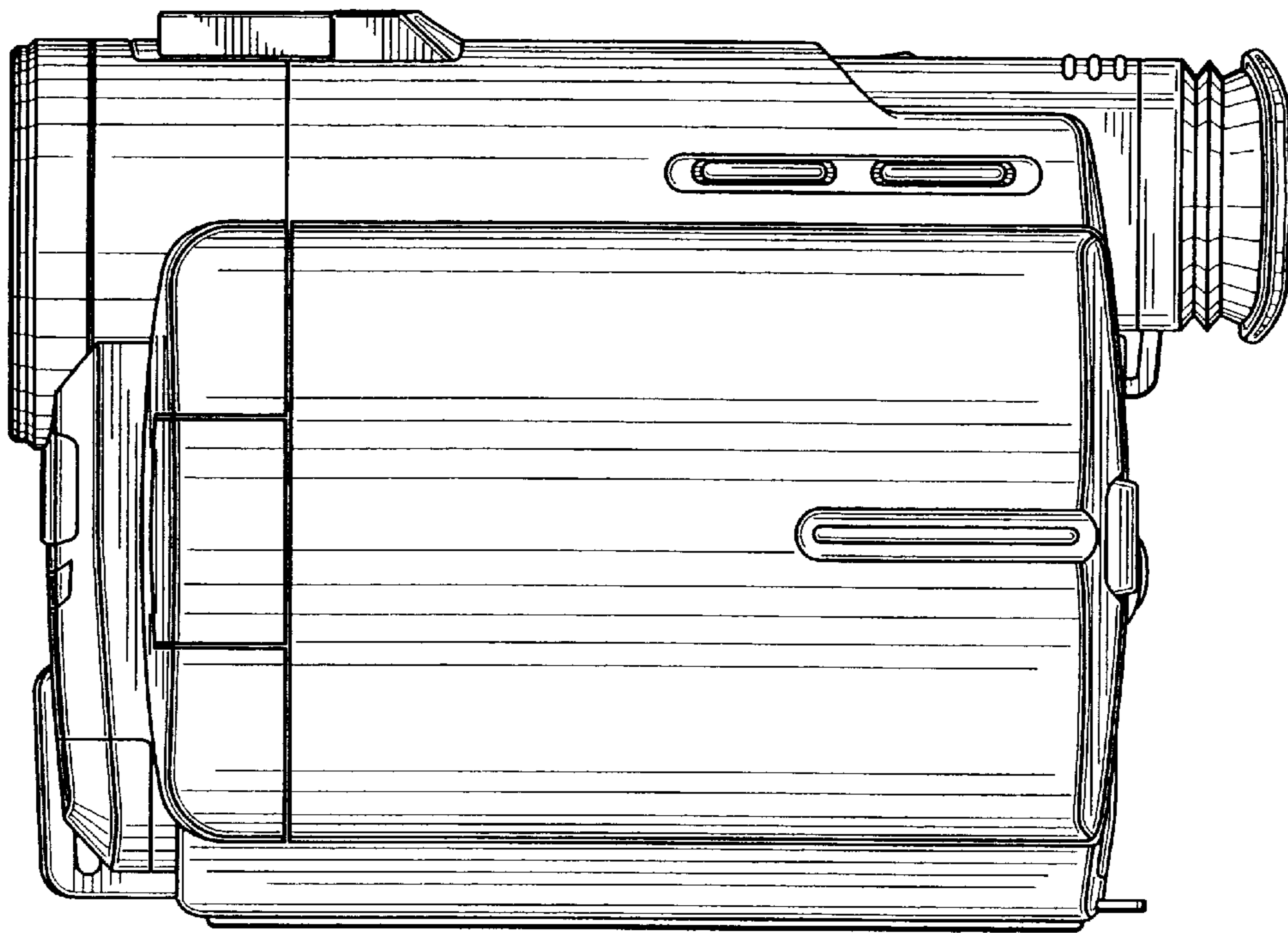
*FIG. 4*



*FIG. 5*



*FIG. 6*



*FIG. 7*

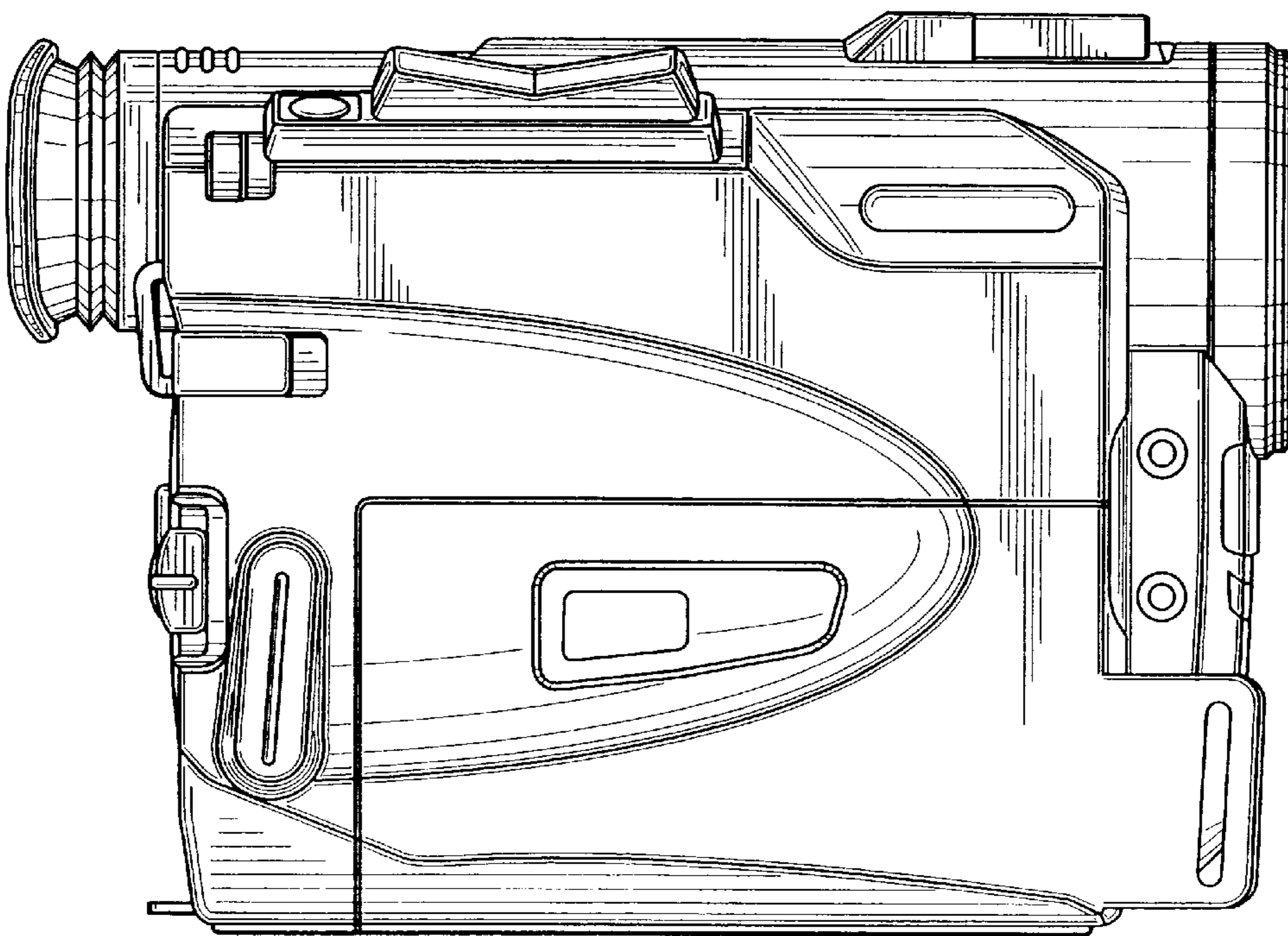


FIG. 8

