



US00D413909S

United States Patent [19] Otto

[11] **Patent Number: Des. 413,909**

[45] **Date of Patent: ** Sep. 14, 1999**

[54] **MICROCUTTER**

[75] Inventor: **Friedrich Otto**, Hameln, Germany

[73] Assignee: **A. Stephan U. Soehne GmbH & Co.**,
Hameln, Germany

[**] Term: **14 Years**

[21] Appl. No.: **29/082,513**

[22] Filed: **Jan. 23, 1998**

[51] **LOC (6) Cl.** **15-09**

[52] **U.S. Cl.** **D15/147**

[58] **Field of Search** D15/126, 147;
D7/381; 426/518, 519

[56] **References Cited**

U.S. PATENT DOCUMENTS

D. 398,312 9/1998 Heilig D15/147 X
4,960,601 10/1990 Cummins 426/518 X

OTHER PUBLICATIONS

“Stephan Microcut for continuous fine cutting and emulsi-
fying,” advertising brochure by Stephan Food Processing
Technology.

Primary Examiner—Antoine Duval Davis
Attorney, Agent, or Firm—Foley & Lardner

[57] **CLAIM**

The ornamental design for a microcutter, as shown and
described.

DESCRIPTION

FIG. 1 is a front-left view of a microcutter showing my new
design and showing the hopper pivoted away from the
screw;

FIG. 2 is a right-front view of a microcutter showing my new
design;

FIG. 3 is a front view thereof;

FIG. 4 is a front-left view thereof, also showing a view of the
interior of the hopper;

FIG. 5 is a view of the left side;

FIG. 6 is a view of the front and left side;

FIG. 7 is a view from the left rear;

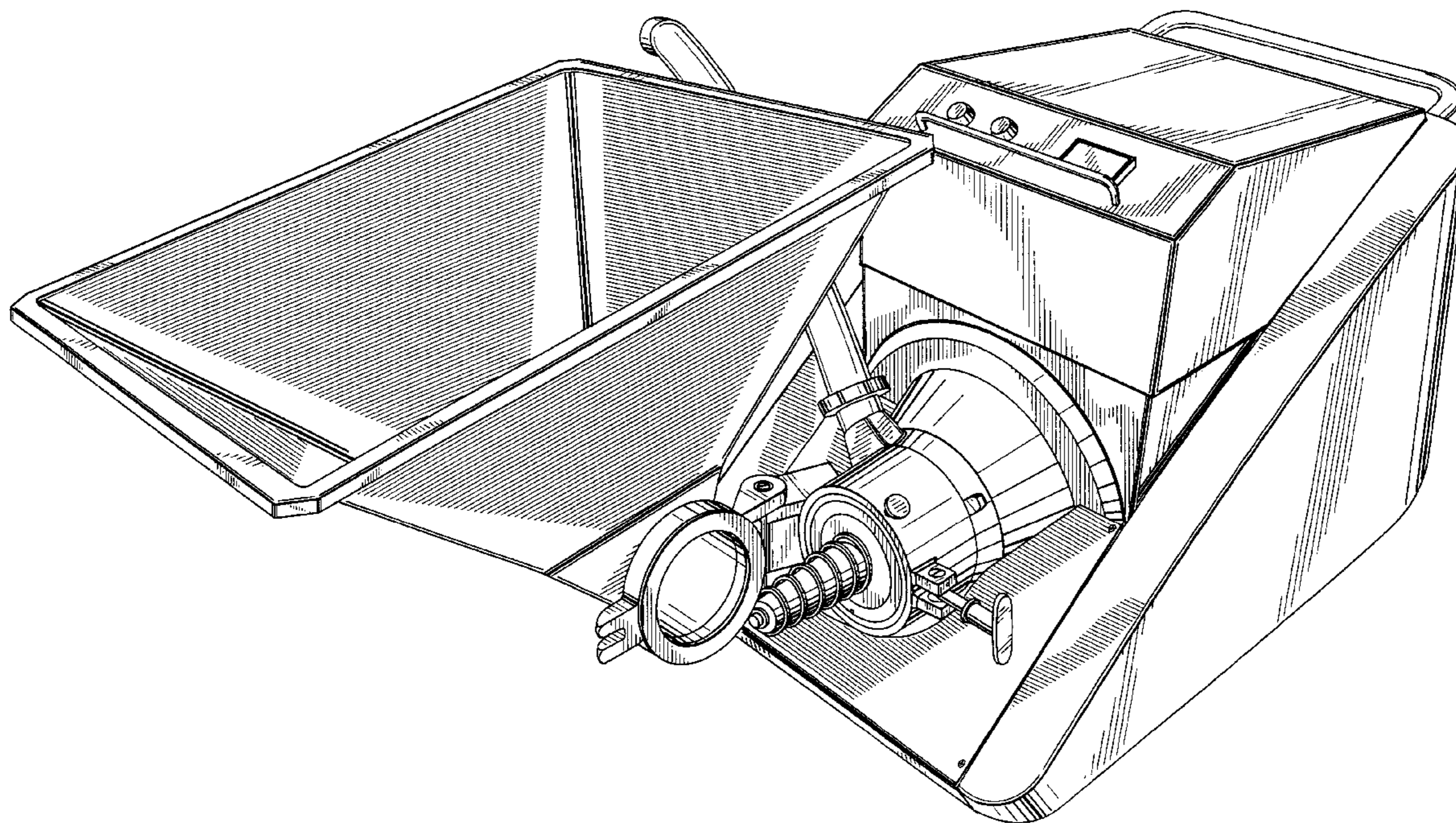
FIG. 8 is a right rear view;

FIG. 9 is a view of the right rear;

FIG. 10 is a view of the right front; and,

FIG. 11 is a view of the right side.

1 Claim, 11 Drawing Sheets



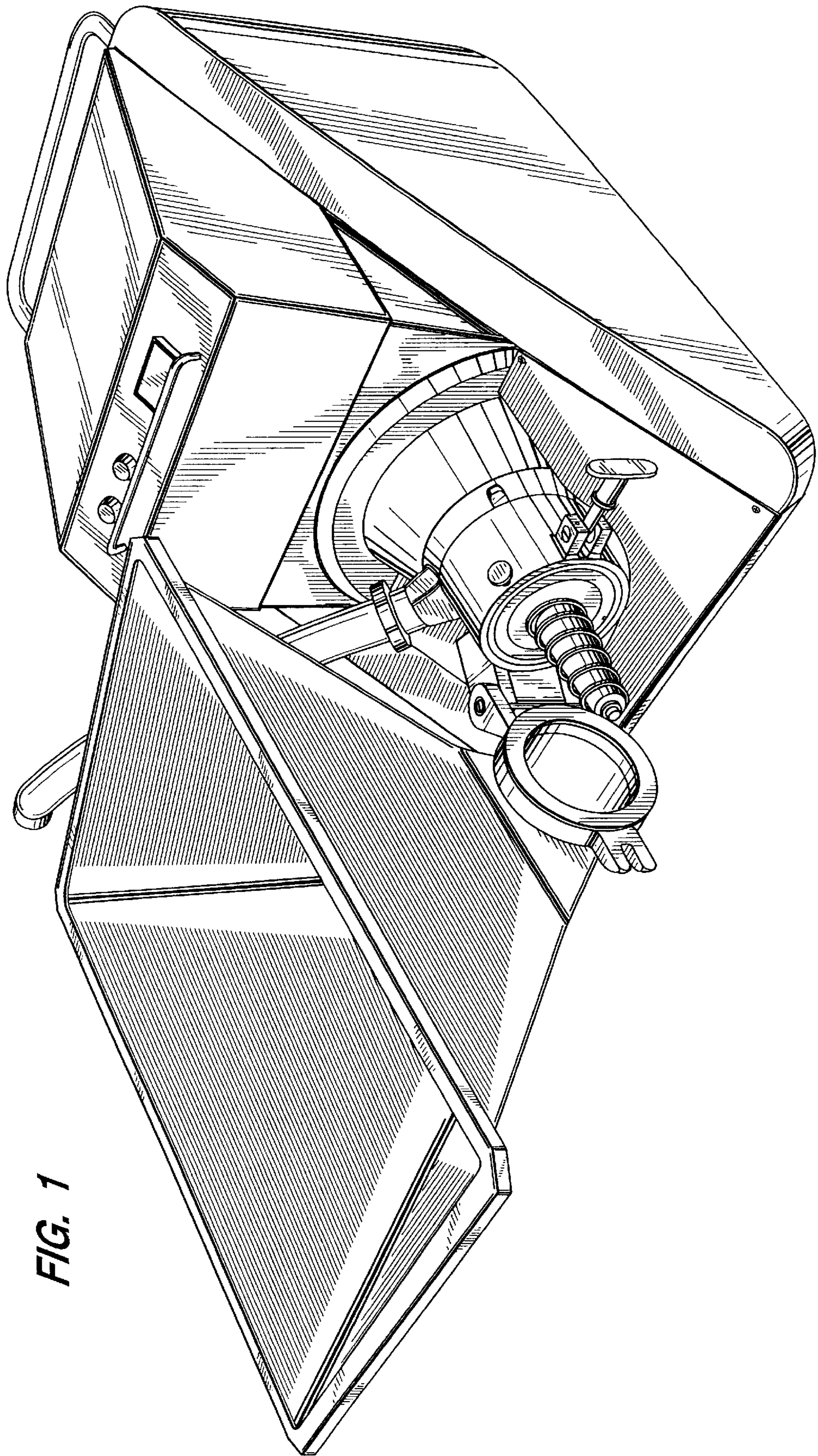


FIG. 1

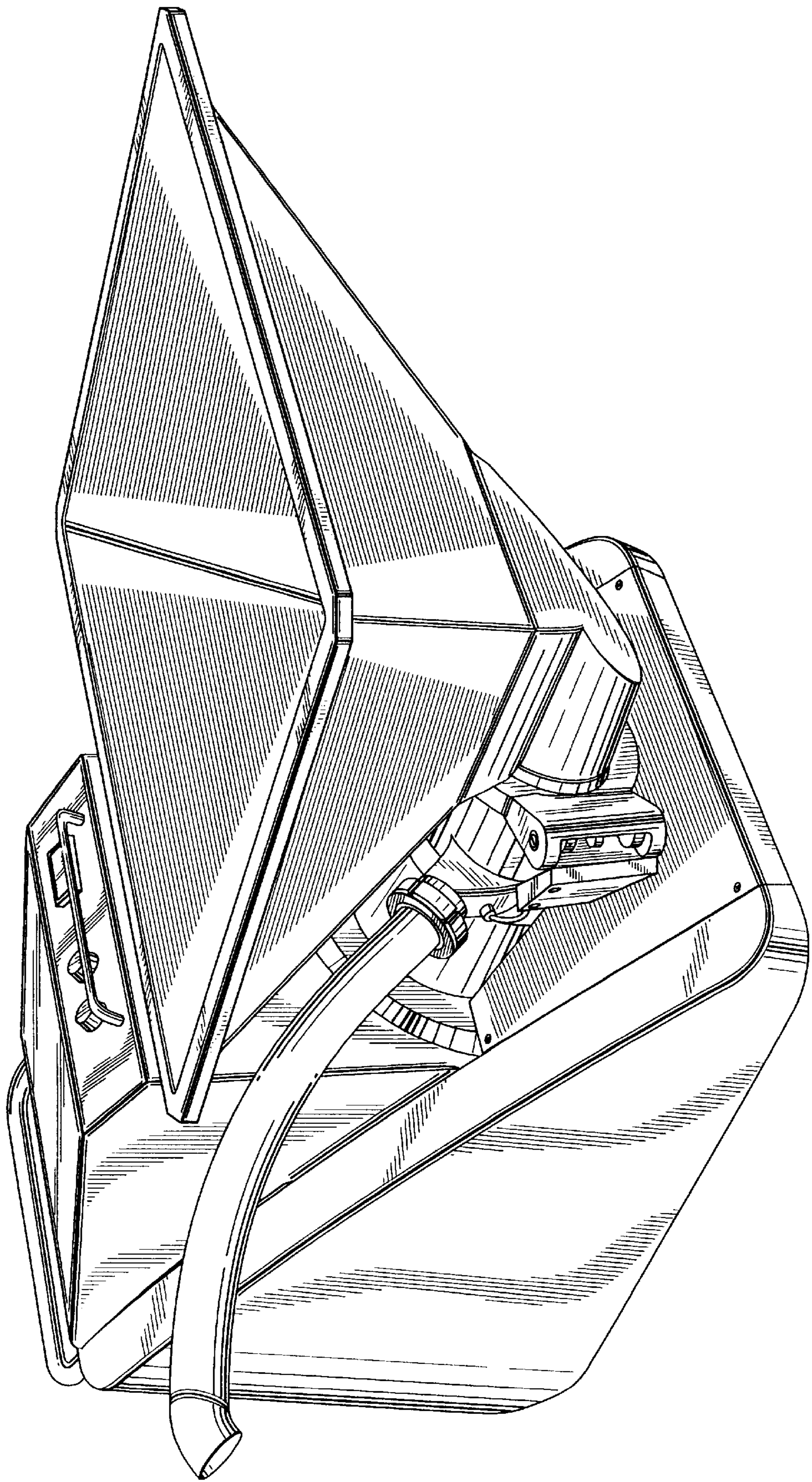


FIG. 2

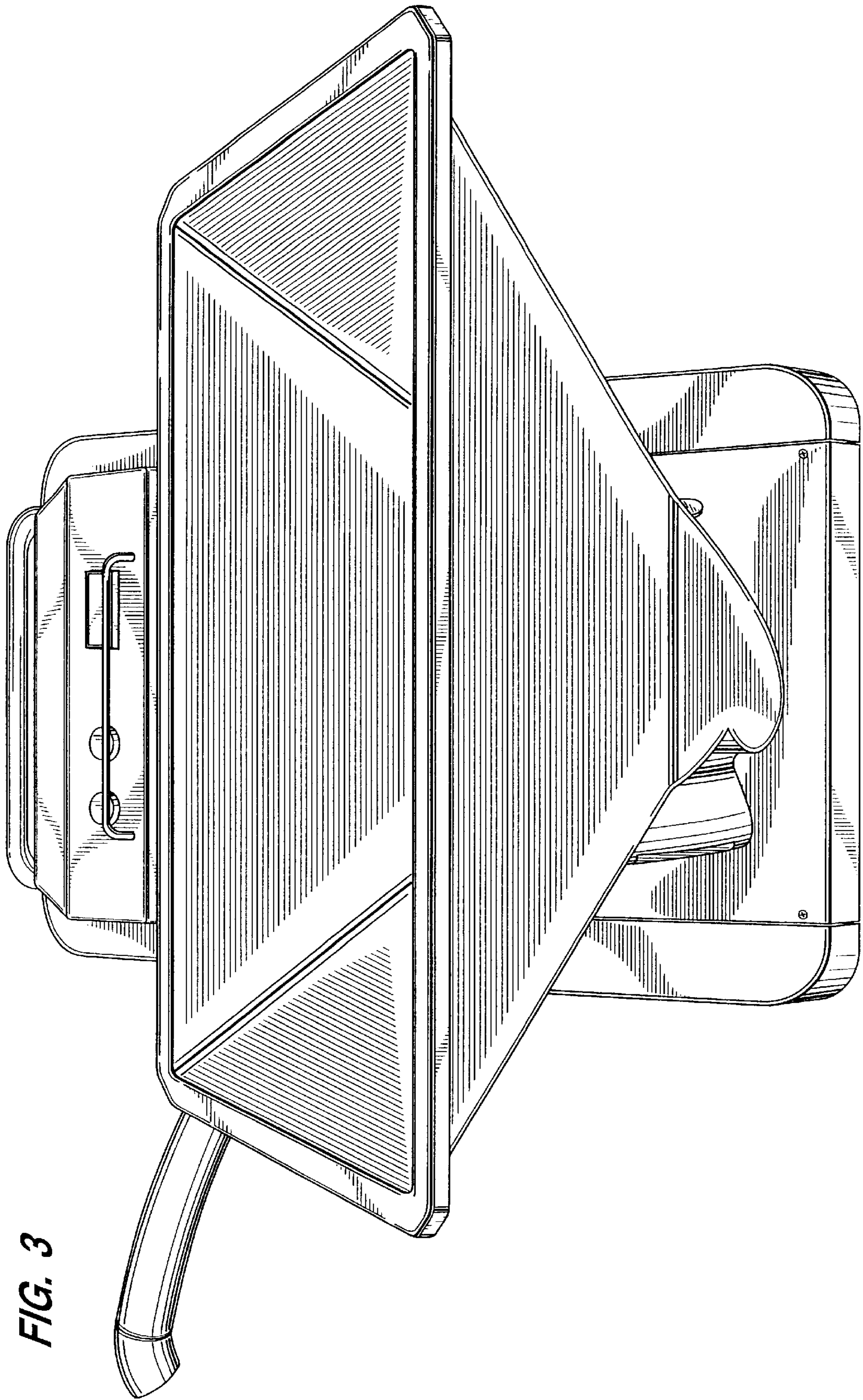


FIG. 3

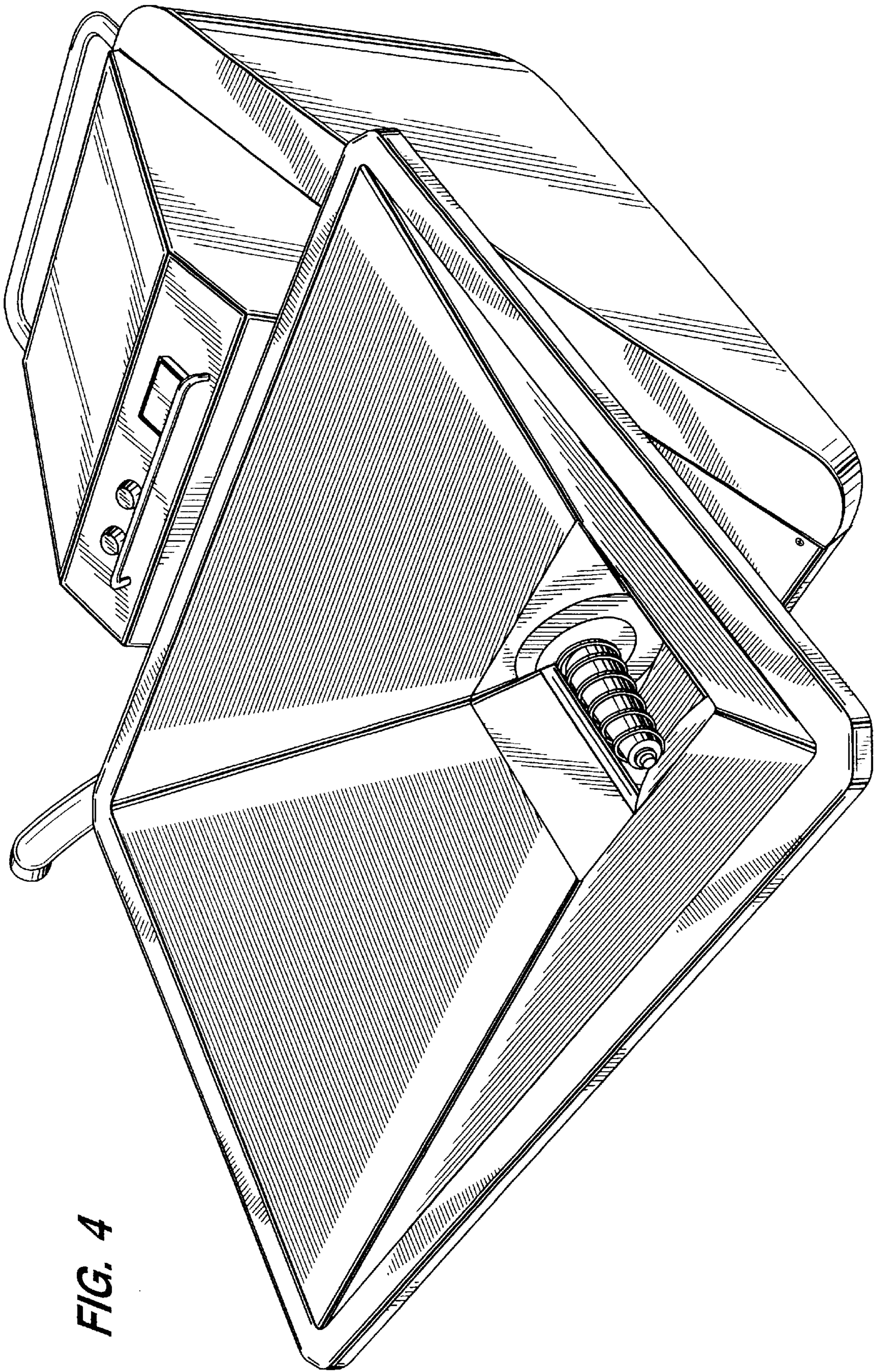


FIG. 4

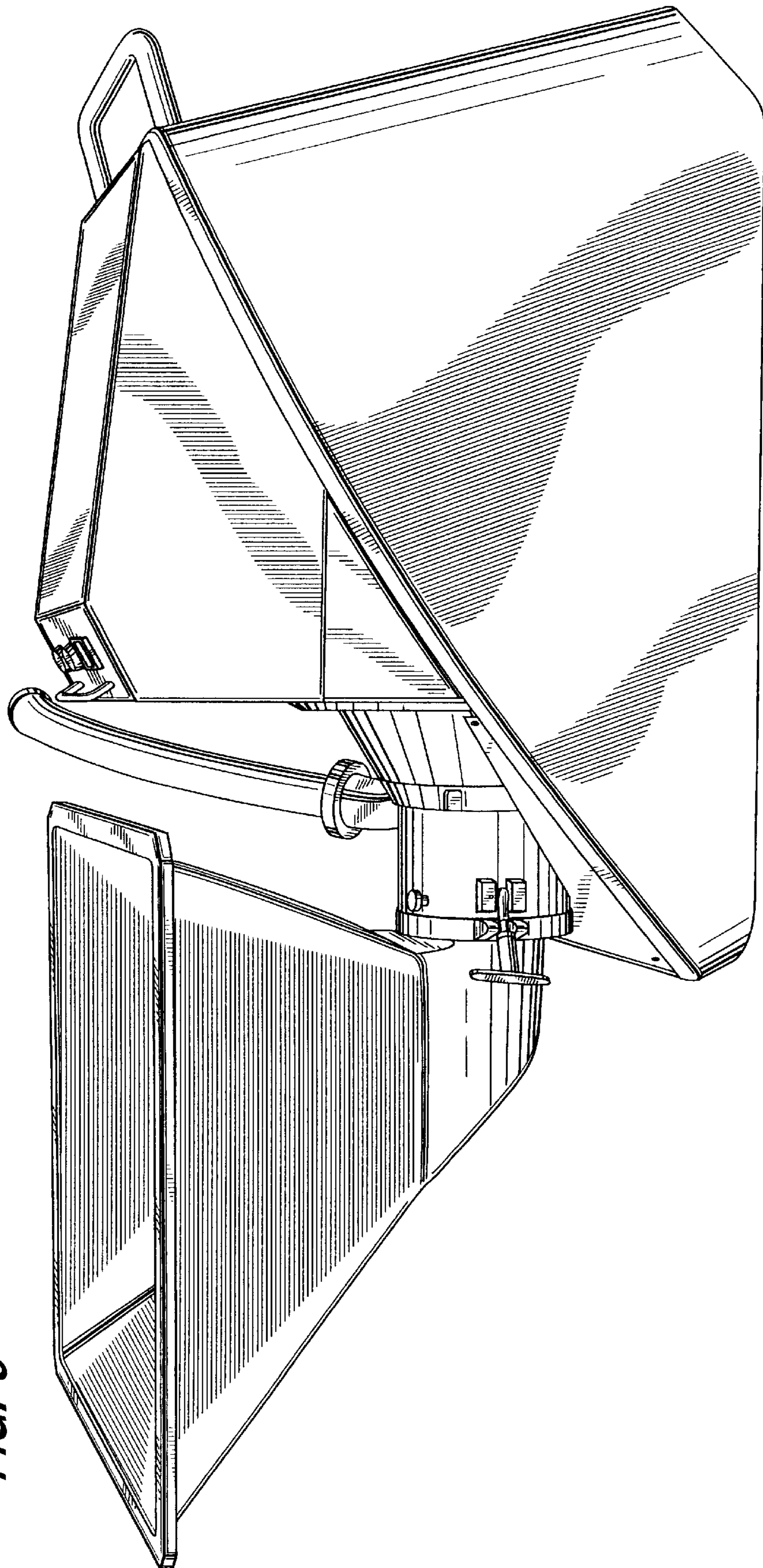


FIG. 5

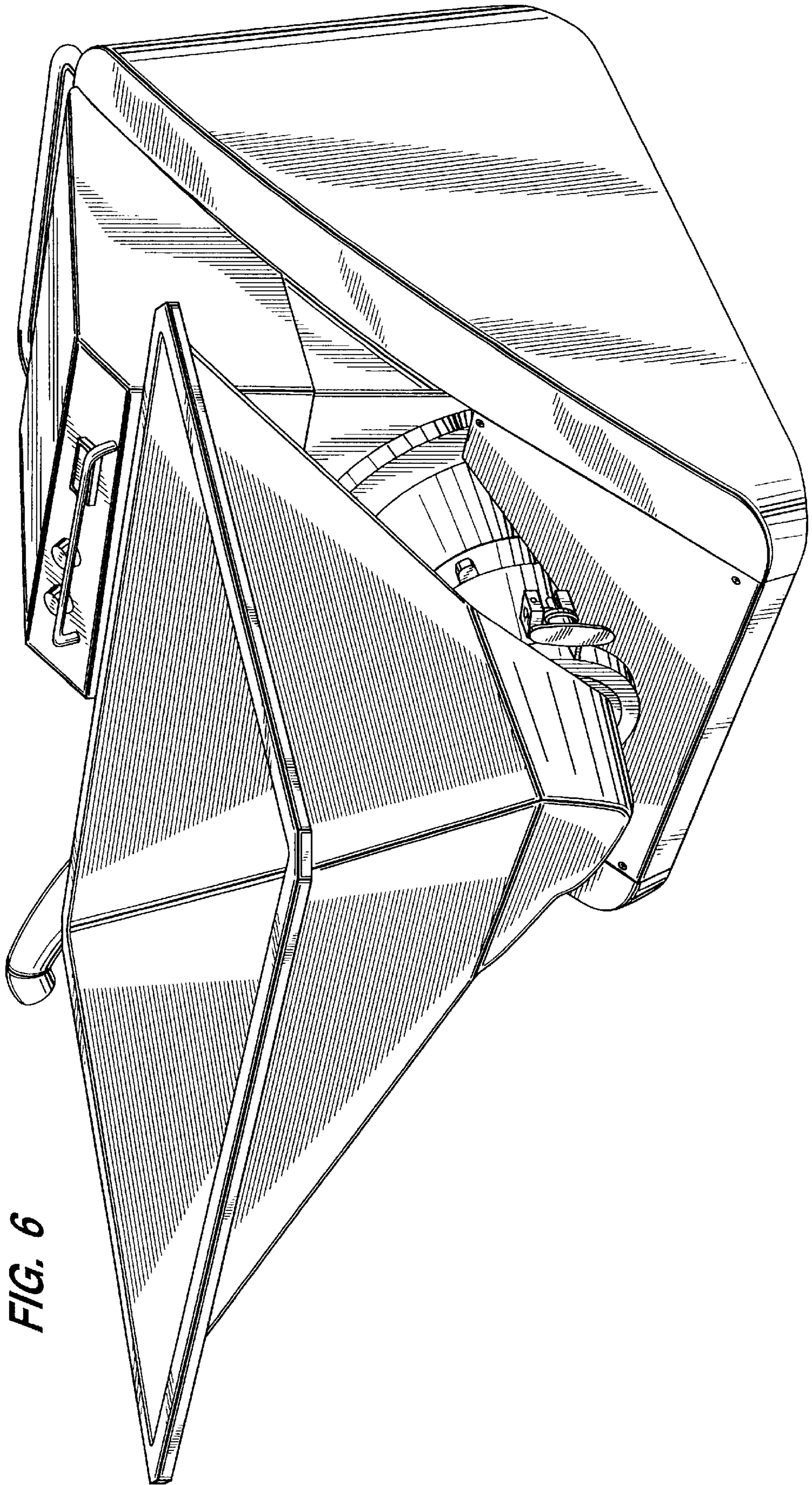


FIG. 6

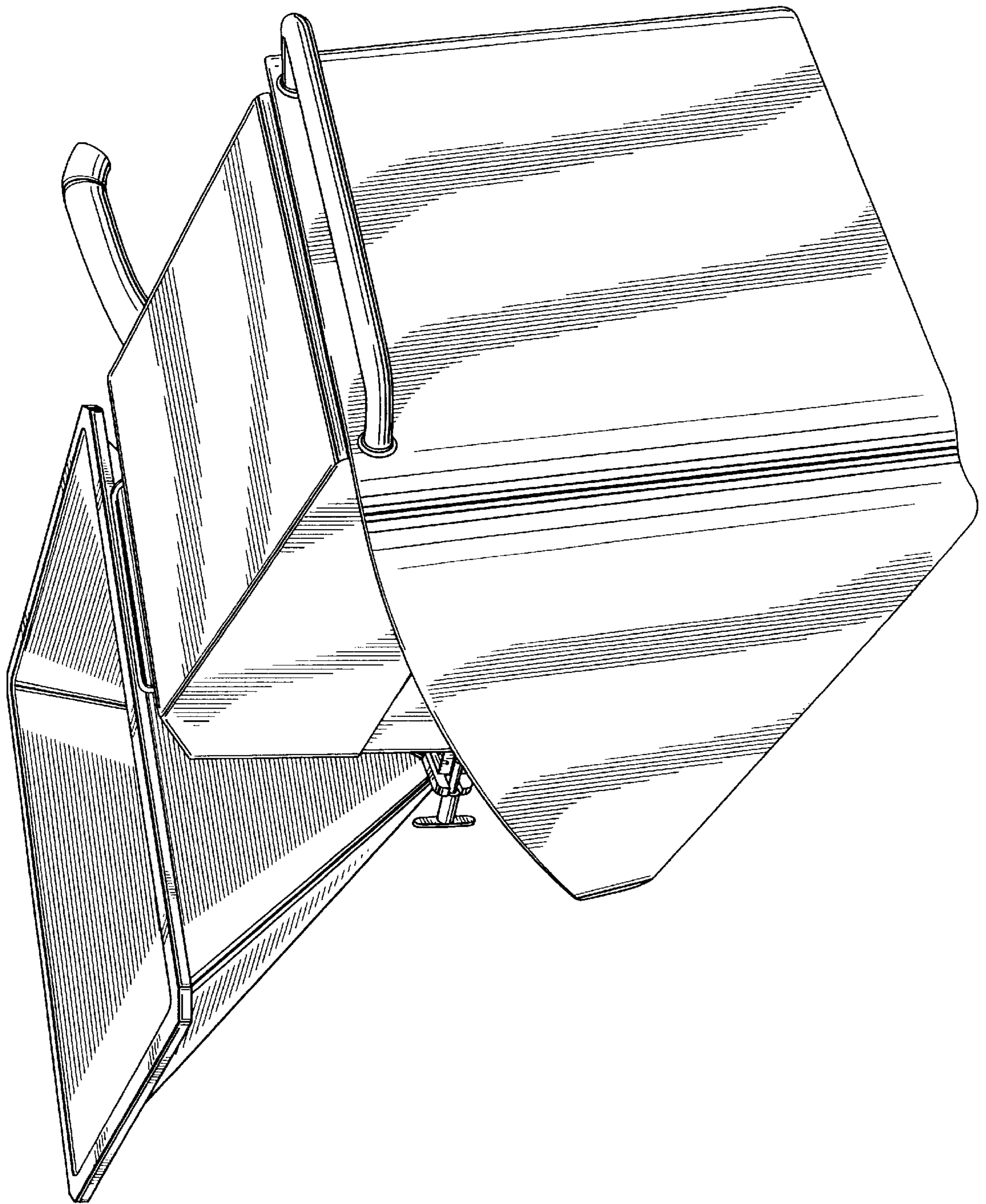
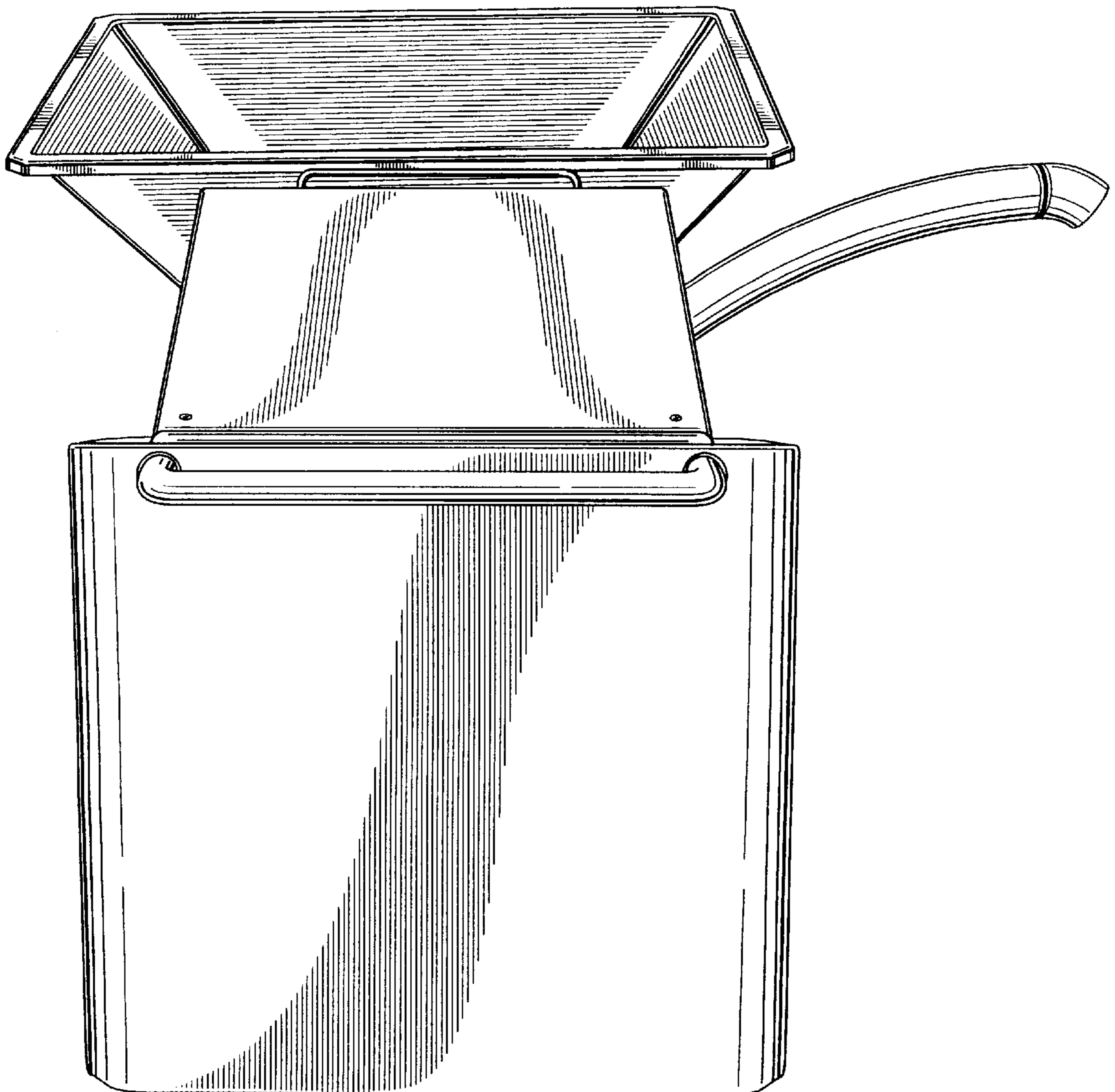


FIG. 7

FIG. 8



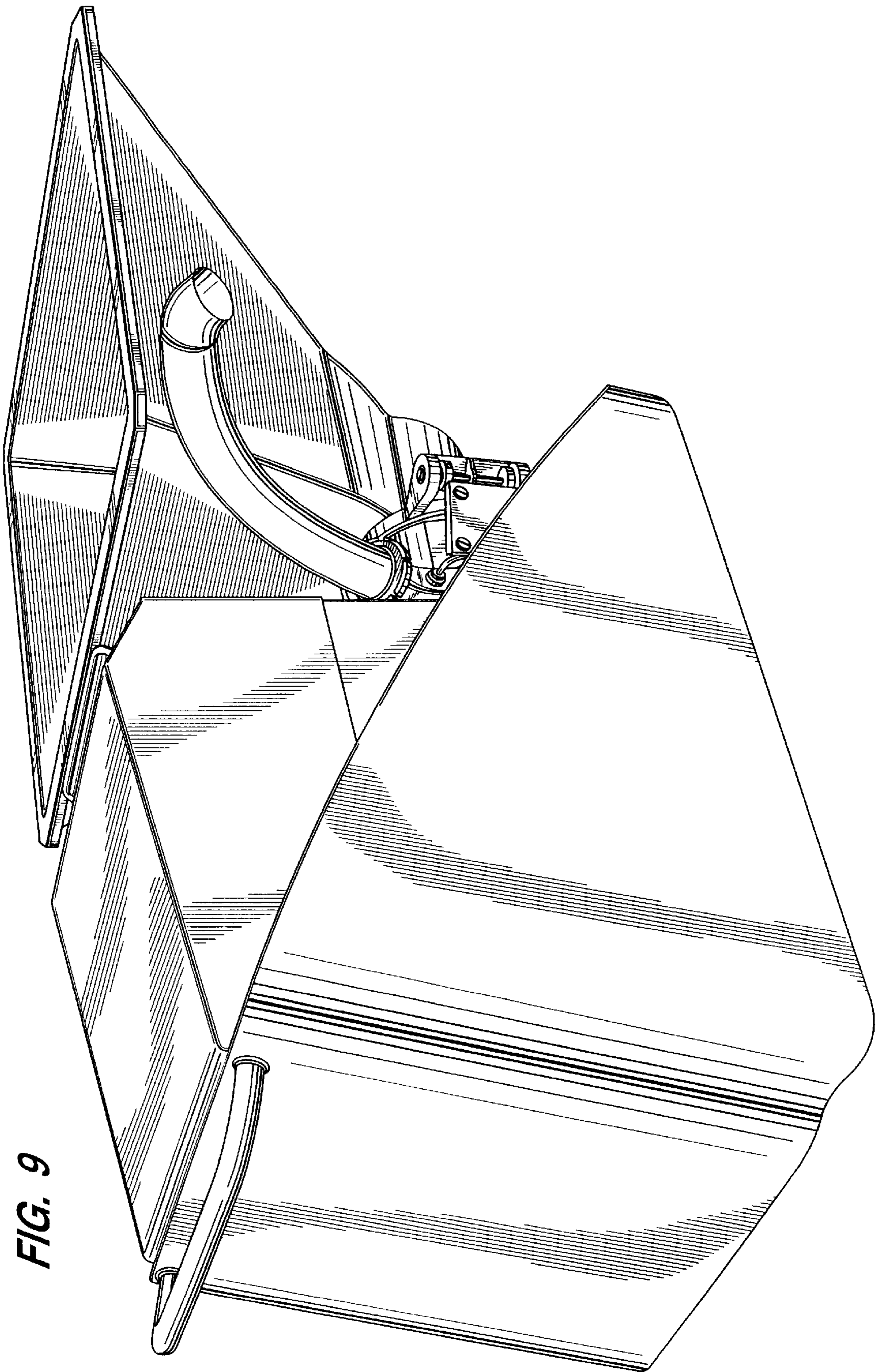


FIG. 9

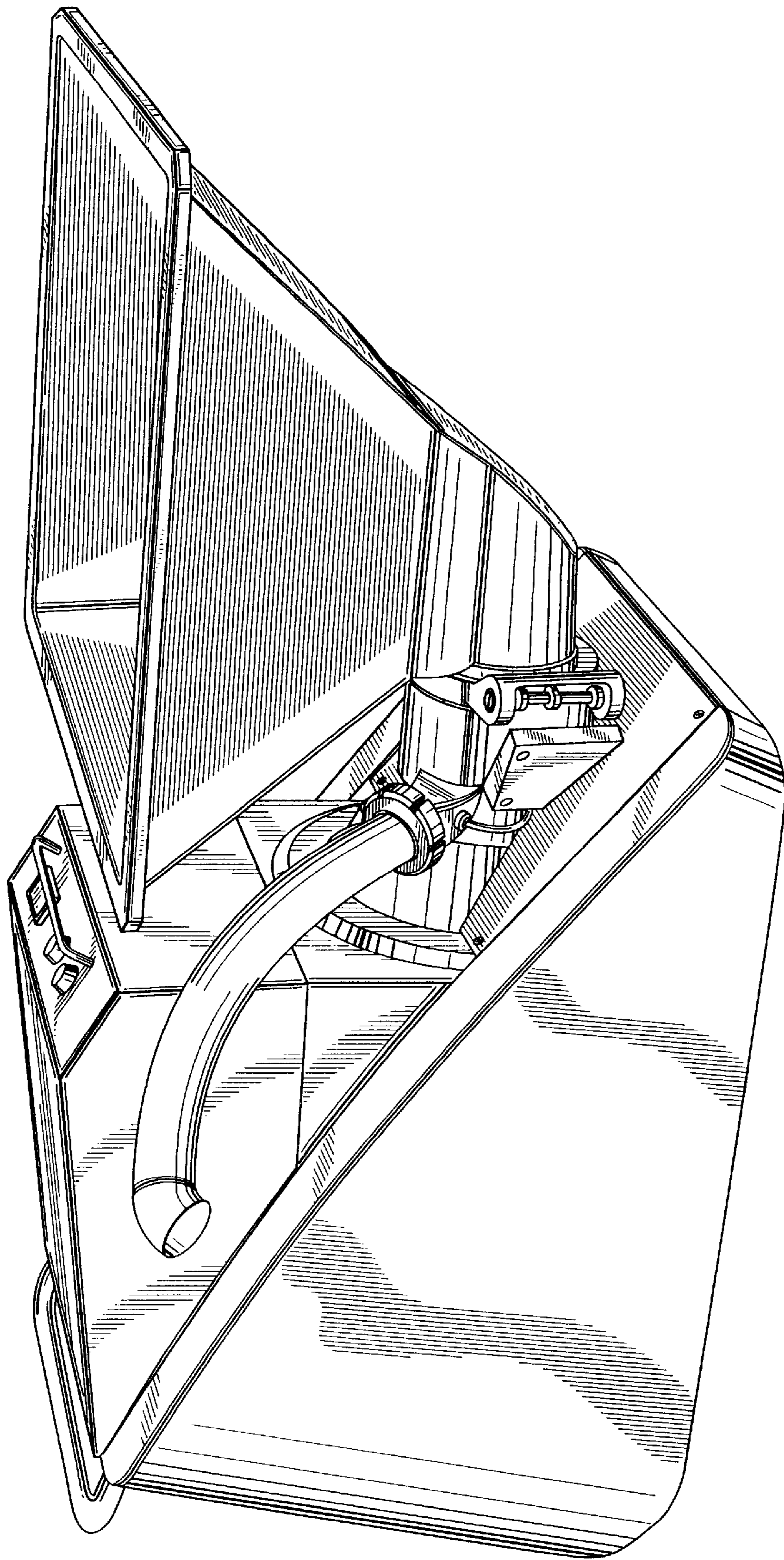


FIG. 10

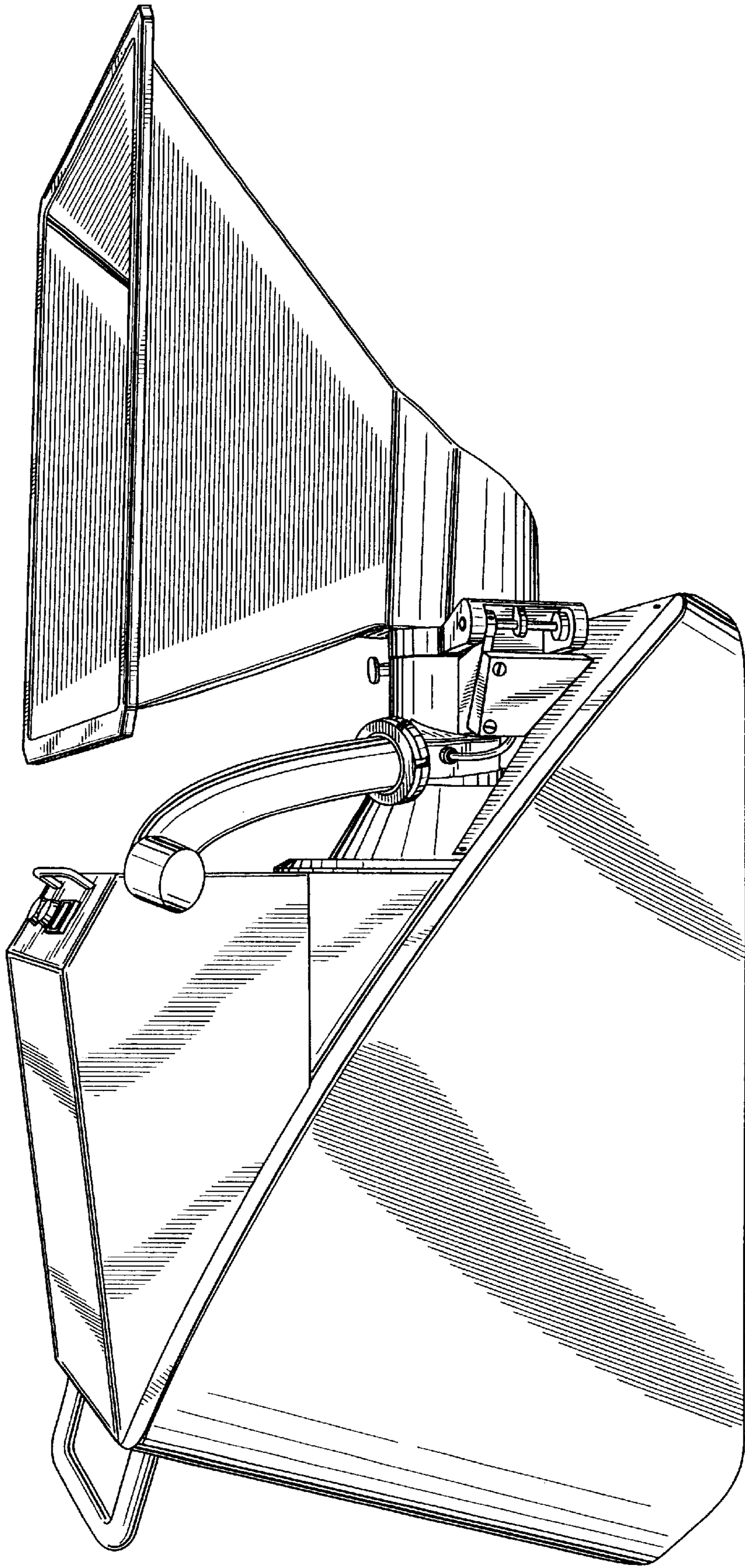


FIG. 11