



US00D413907S

United States Patent [19]

Suzaki et al.

[11] **Patent Number: Des. 413,907**

[45] **Date of Patent: ** Sep. 14, 1999**

[54] **CRAWLER DRILL**

5,806,616 9/1998 Enlund et al. 180/9.52

[75] Inventors: **Toshio Suzaki**, Kashiwa; **Kazuya Goto**; **Yoichi Koroku**, both of Tano-gun, all of Japan

Primary Examiner—Antoine Duval Davis
Attorney, Agent, or Firm—Young & Basile, P.C.

[73] Assignee: **Furukawa Co., Ltd.**, Japan

[57] **CLAIM**

[**] Term: **14 Years**

The ornamental design for a crawler drill, as shown and described.

[21] Appl. No.: **29/086,251**

DESCRIPTION

[22] Filed: **Apr. 8, 1998**

FIG. 1 is a front elevational view of a crawler drill showing our new design;

[51] **LOC (6) Cl.** **15-04**

FIG. 2 is a rear elevational view thereof;

[52] **U.S. Cl.** **D15/132**

FIG. 3 is a left side elevational view thereof;

[58] **Field of Search** D15/132; 178/6, 178/11, 189, 190; 175/24, 66, 206, 209; 209/137; 180/9.1–9.44, 9.54, 9.62, 9.52, 308, 41, 6.48, 9.6; 37/907; 305/120

FIG. 4 is a right side elevational view thereof;

FIG. 5 is a top plan view thereof;

FIG. 6 is a bottom plan view thereof;

FIG. 7 is a front, top and left side perspective view thereof; and,

FIG. 8 is a rear, top and left side perspective view thereof.

[56] **References Cited**

U.S. PATENT DOCUMENTS

5,699,656 12/1997 Hamada et al. 180/9.44 X

1 Claim, 8 Drawing Sheets

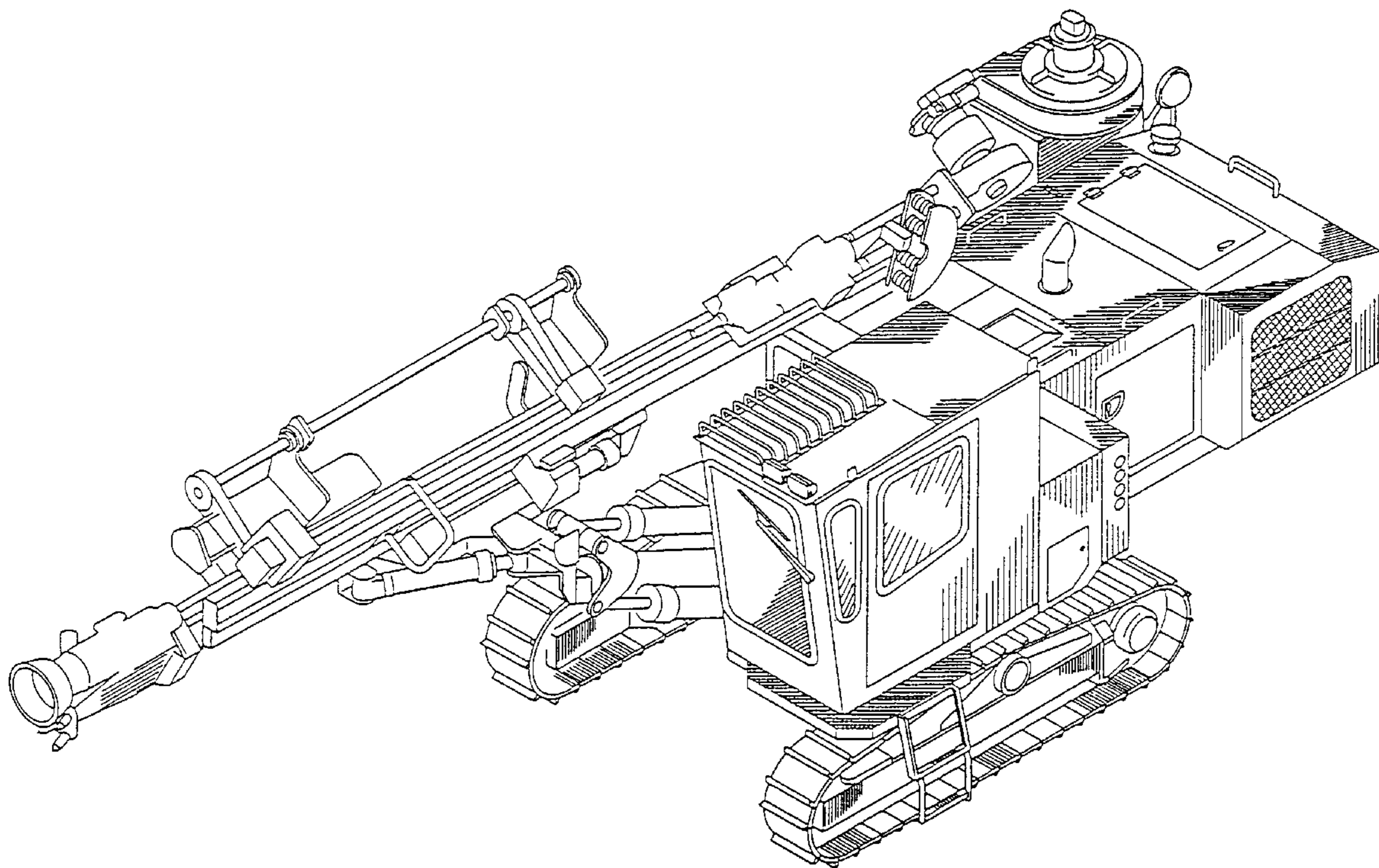


FIG. 1

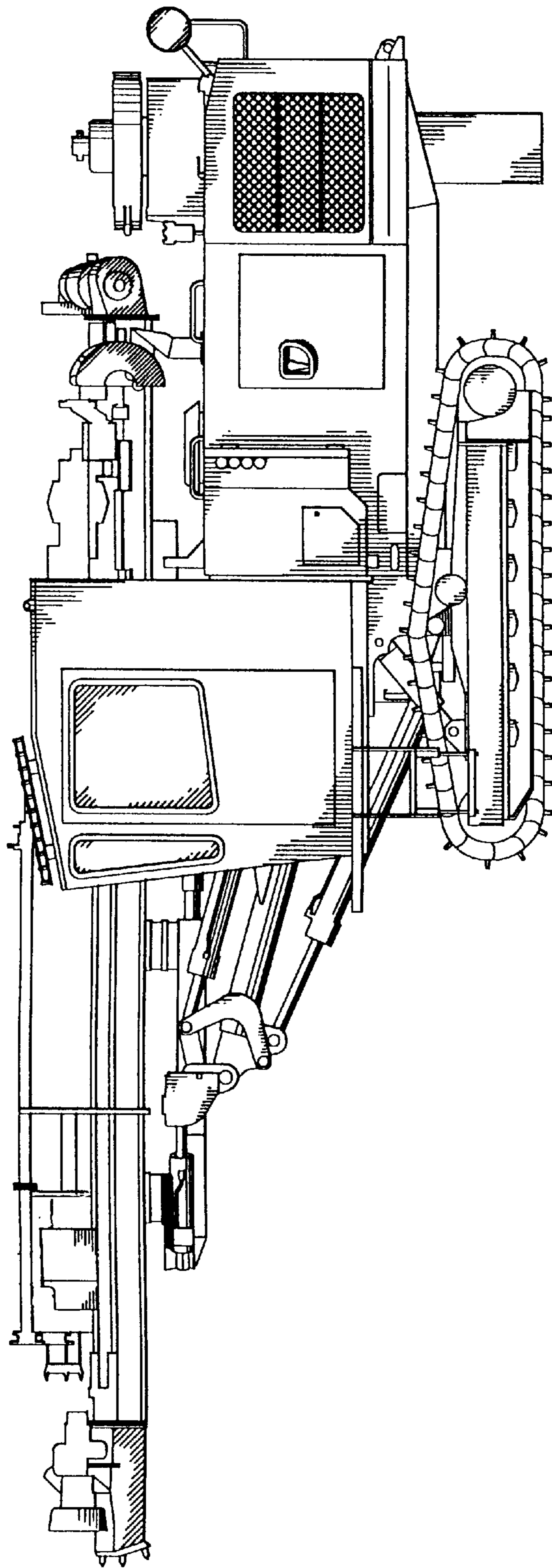


FIG. 2

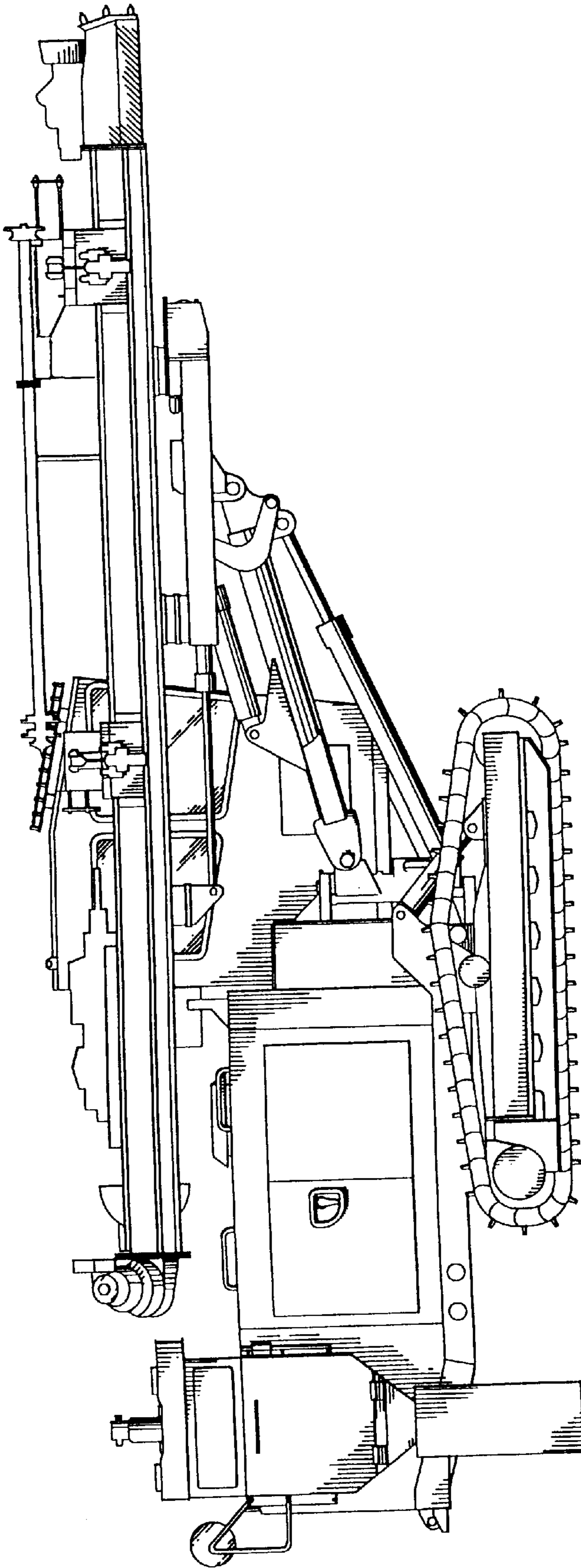
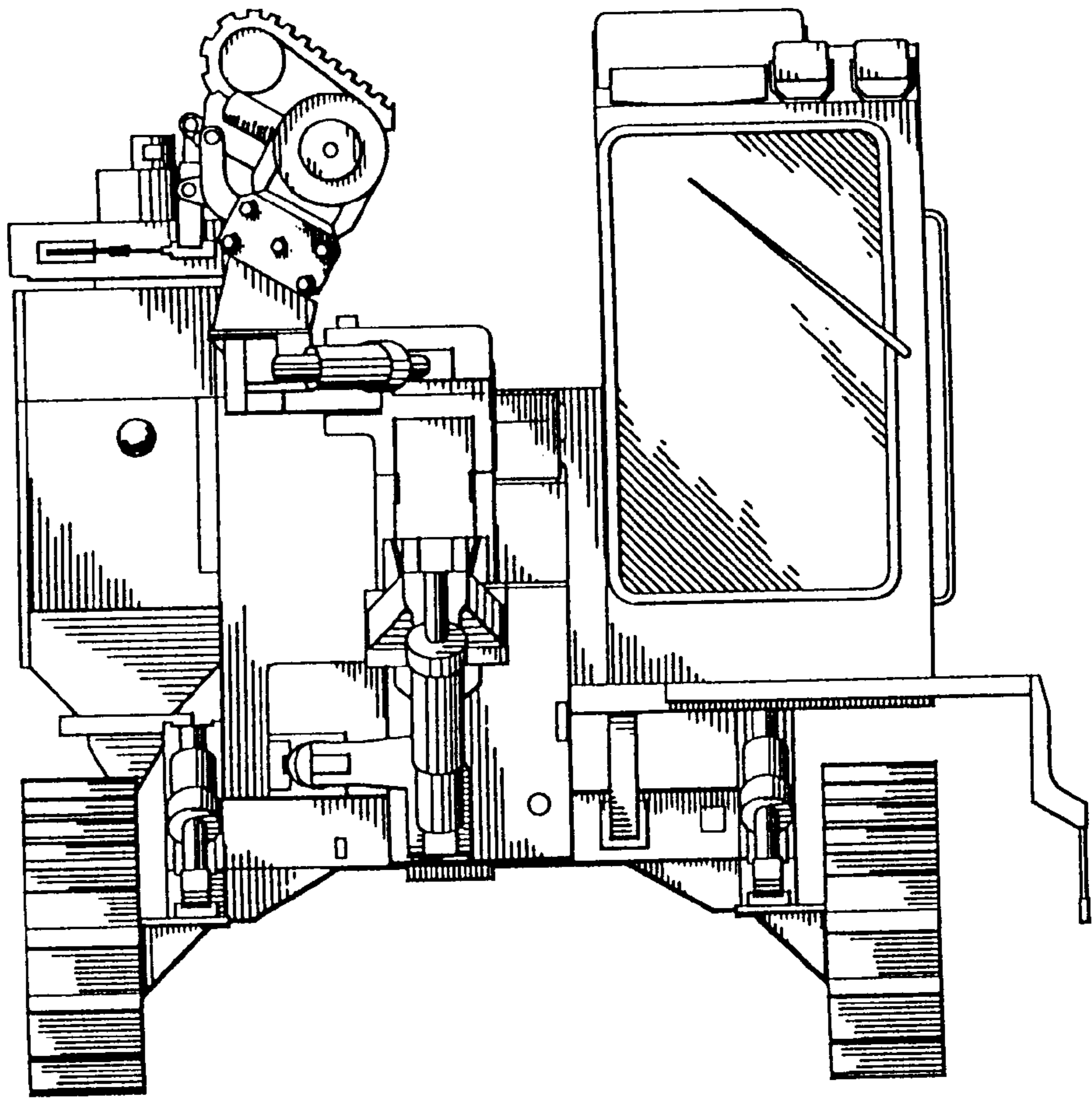


FIG. 3



F I G . 4

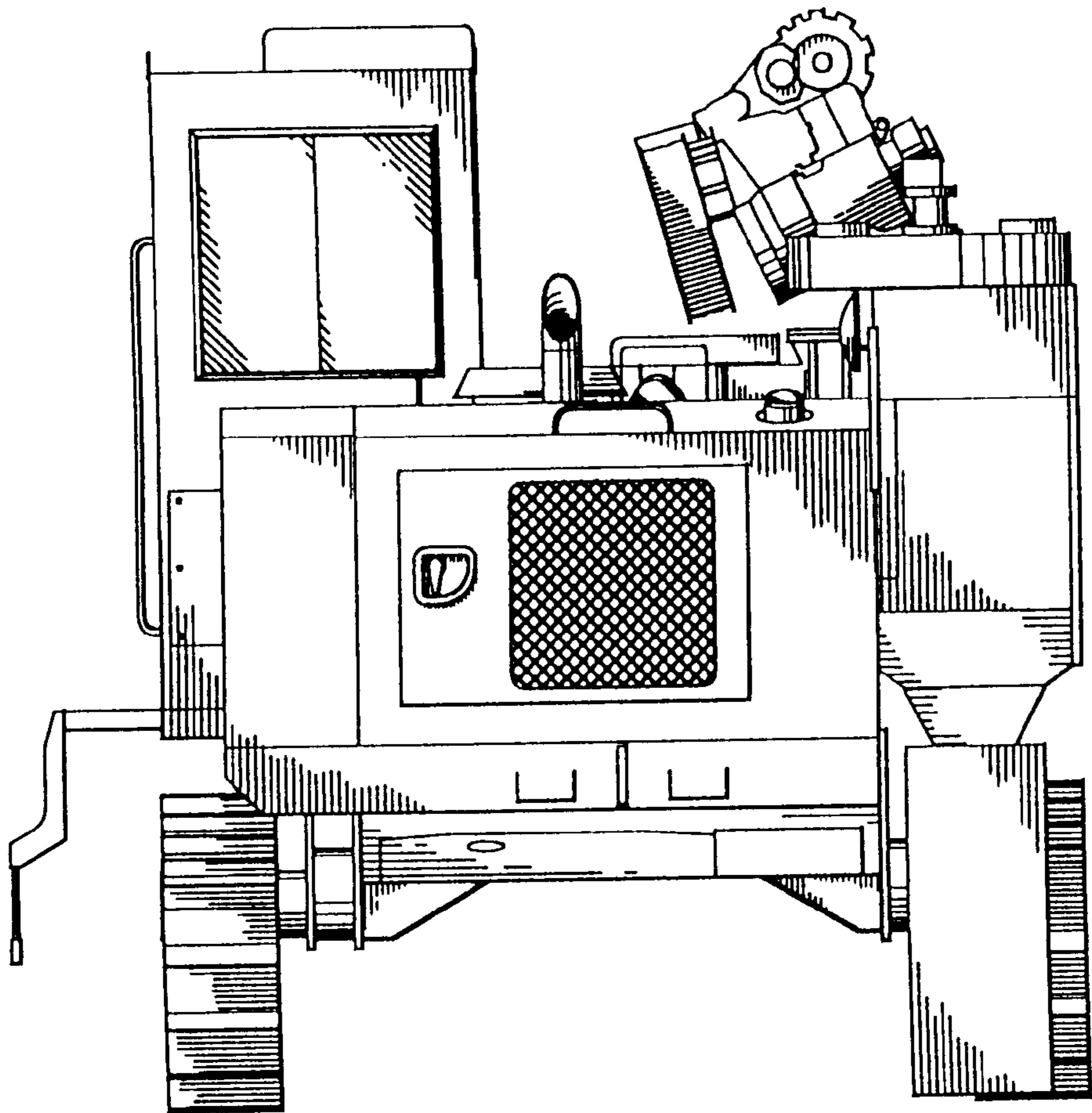


FIG. 5

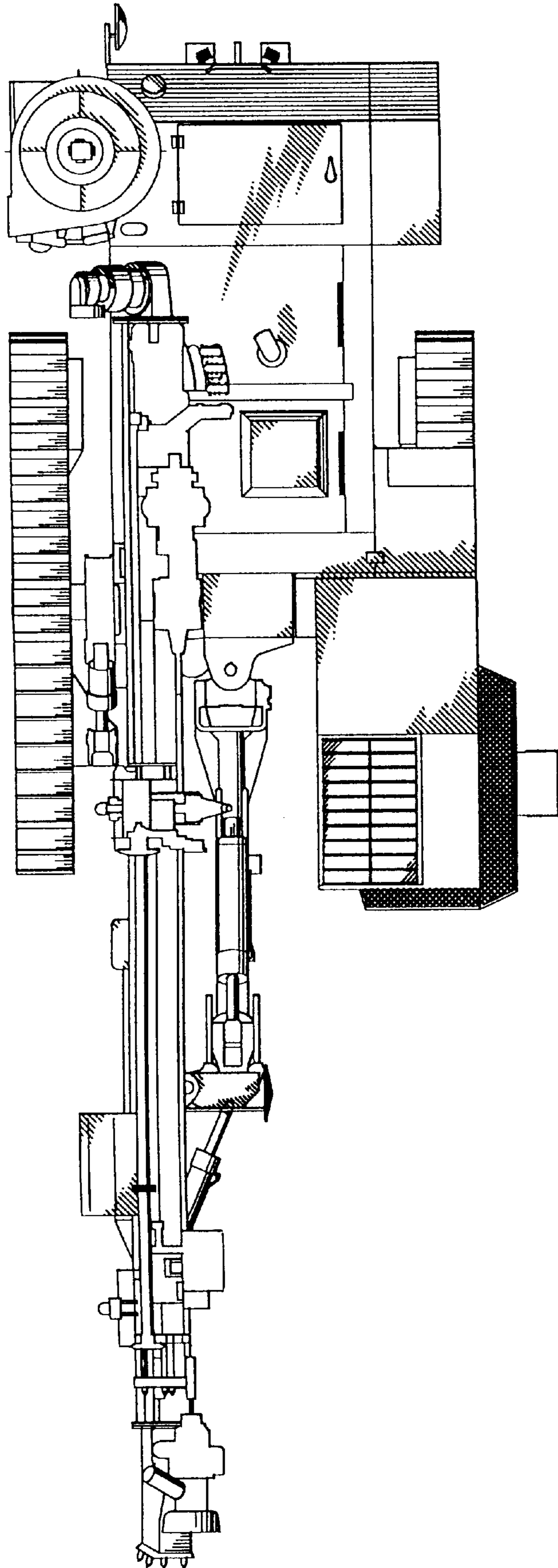
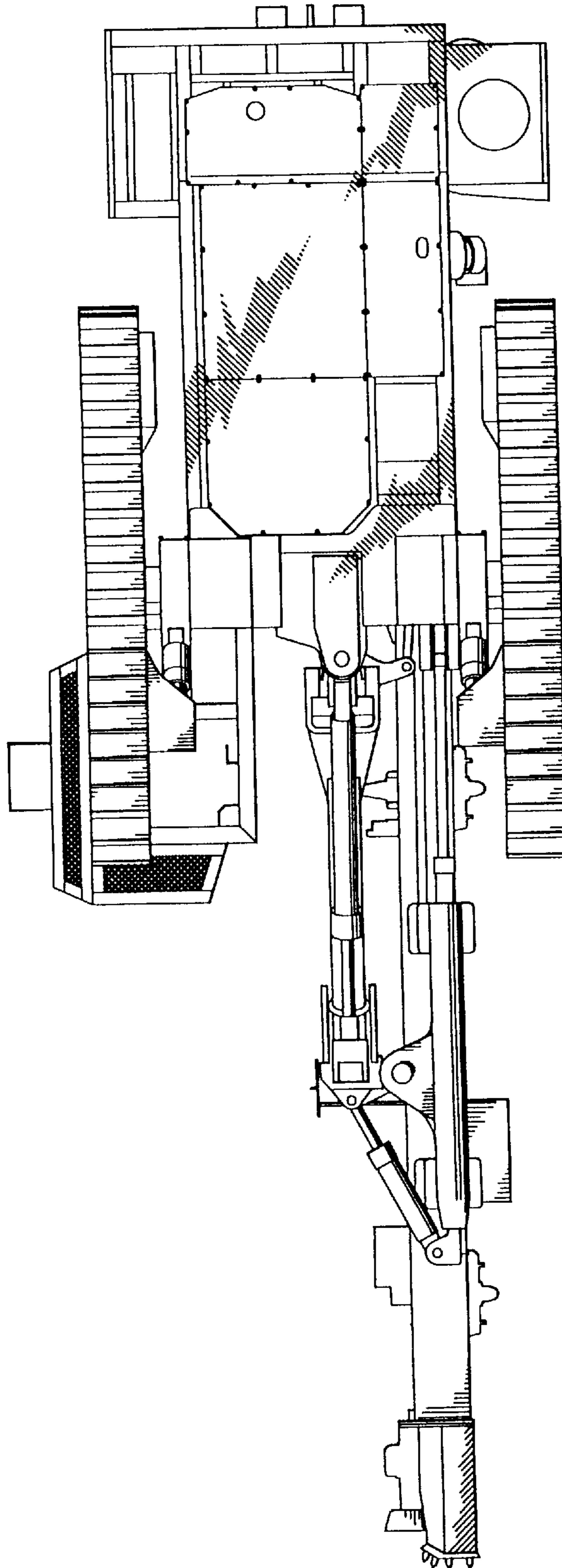


FIG. 6



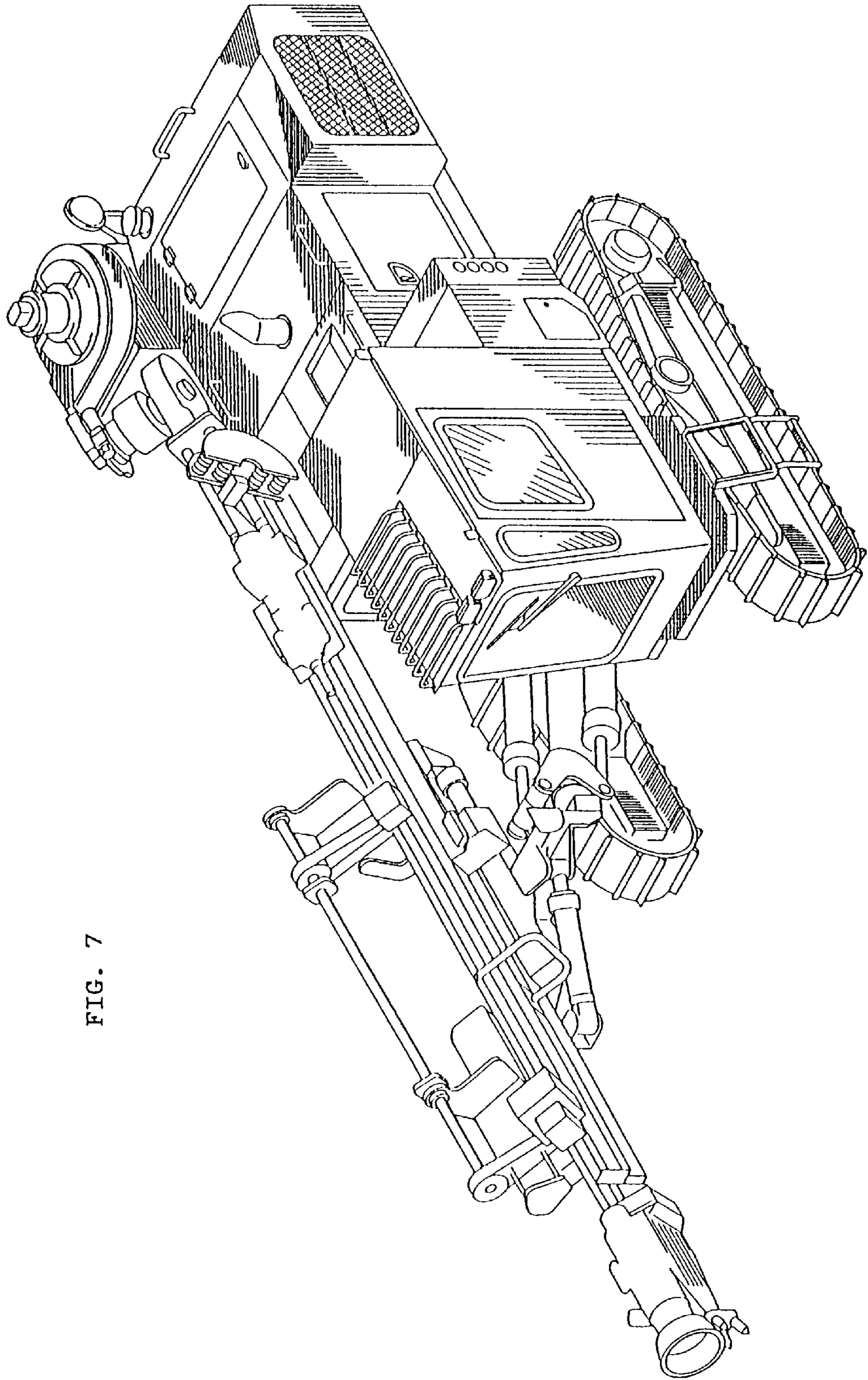


FIG. 7

FIG. 8

