



US00D413906S

# United States Patent [19] Tremblay

[11] Patent Number: Des. 413,906

[45] Date of Patent: \*\* Sep. 14, 1999

[54] TUBE END MACHINING TOOL

5,619,893 4/1997 Pierce ..... 82/113

[75] Inventor: **Clement Tremblay**, Citrus Heights, Calif.

*Primary Examiner*—Antoine Duval Davis  
*Attorney, Agent, or Firm*—Bacon & Thomas, PLLC

[73] Assignee: **Tri Tool Inc.**, Rancho Cordova, Calif.

### [57] CLAIM

[\*\*] Term: **14 Years**

The ornamental design for a tube end machining tool, as shown and described.

[21] Appl. No.: **29/085,905**

### DESCRIPTION

[22] Filed: **Apr. 1, 1998**

[51] LOC (6) Cl. .... **15-09**

[52] U.S. Cl. .... **D15/122**

[58] Field of Search ..... D15/122, 199;  
30/96; 82/120, 121, 113; 408/106, 108;  
409/179

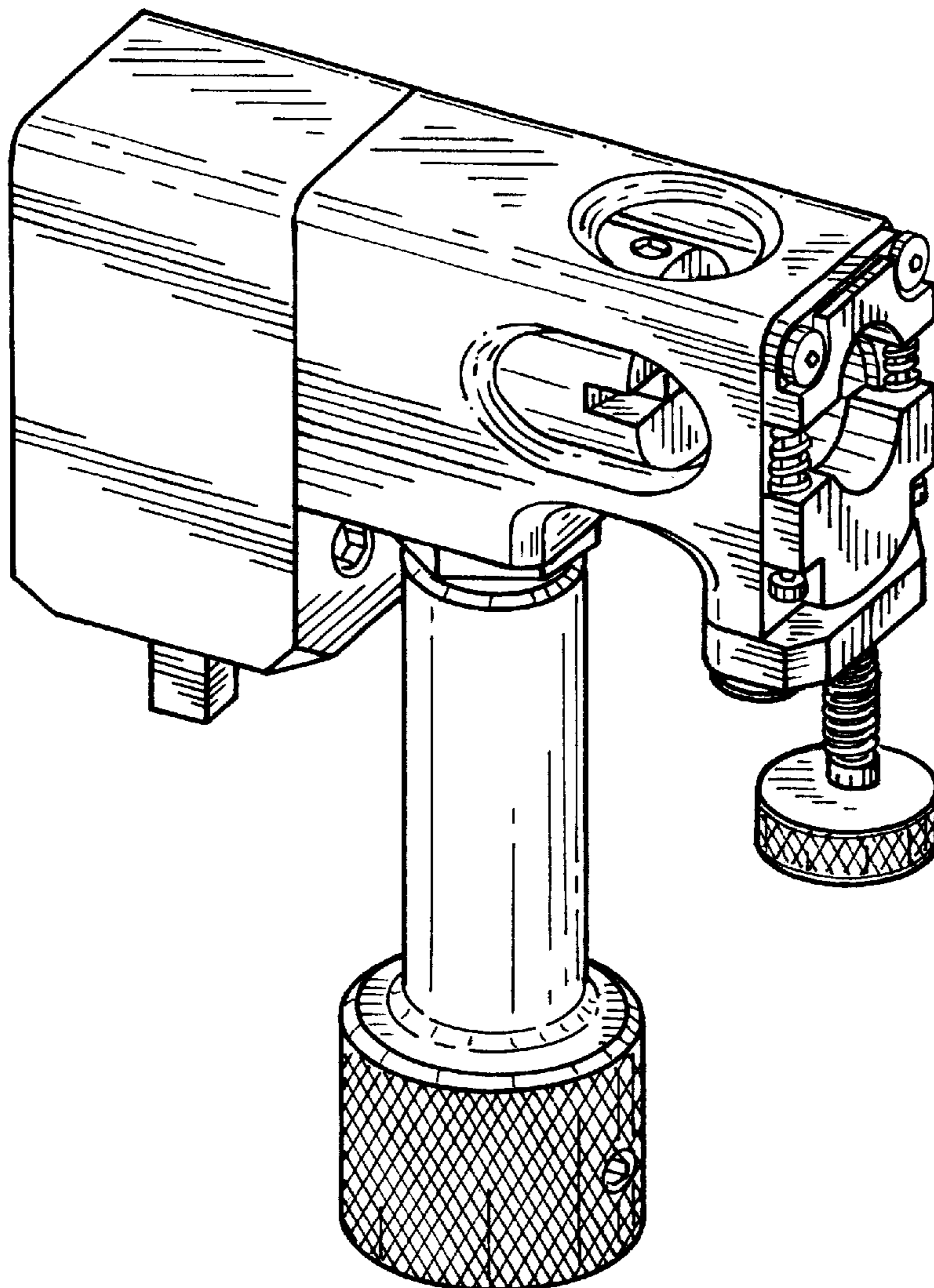
FIG. 1 is an upper left side perspective view of a tube end machining tool showing my new design; FIG. 2 is a top plan view thereof; FIG. 3 is a left side view thereof; FIG. 4 is a right side view thereof; FIG. 5 is a front elevation view thereof; FIG. 6 is a rear elevation view thereof; and, FIG. 7 is a bottom view thereof.

### [56] References Cited

#### U.S. PATENT DOCUMENTS

4,739,682 4/1988 Birkestrand ..... 82/113

**1 Claim, 3 Drawing Sheets**



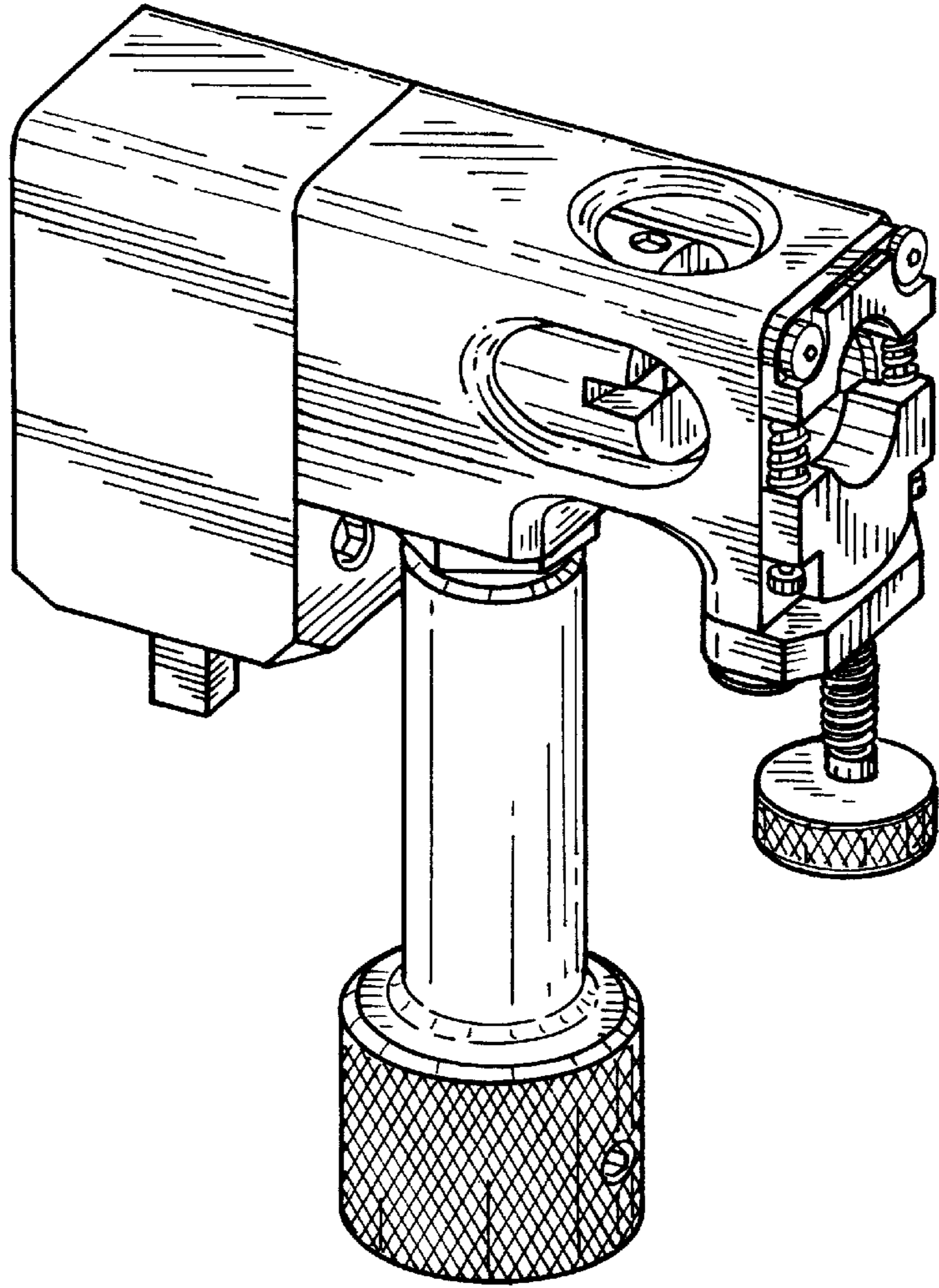


FIG. 1

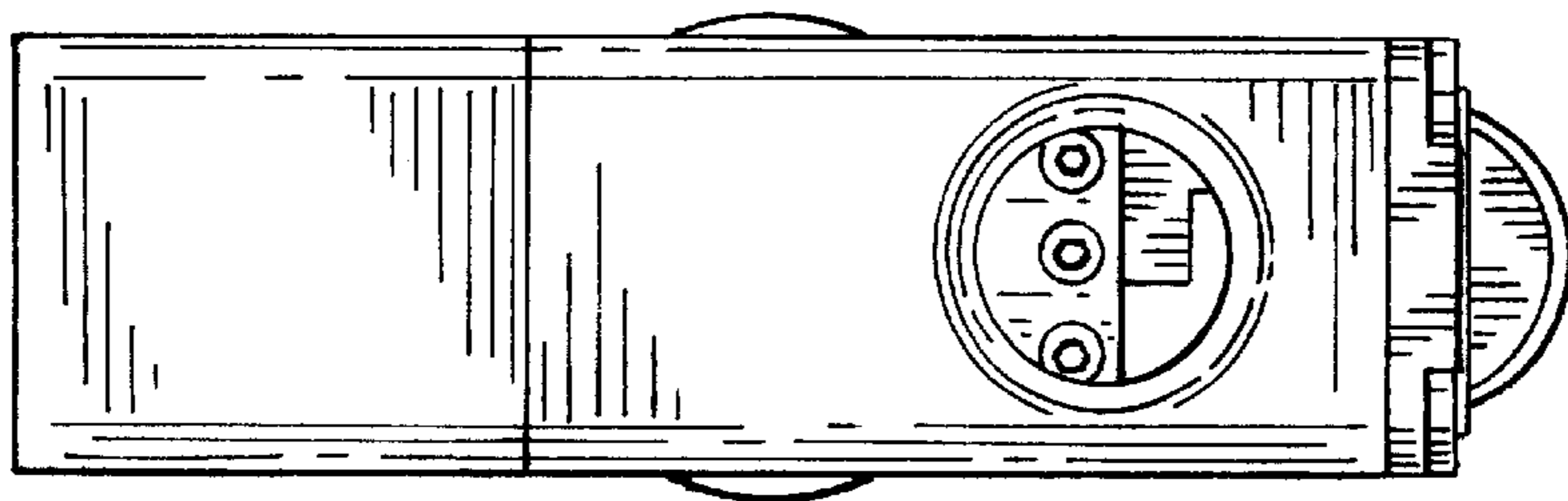


FIG. 2

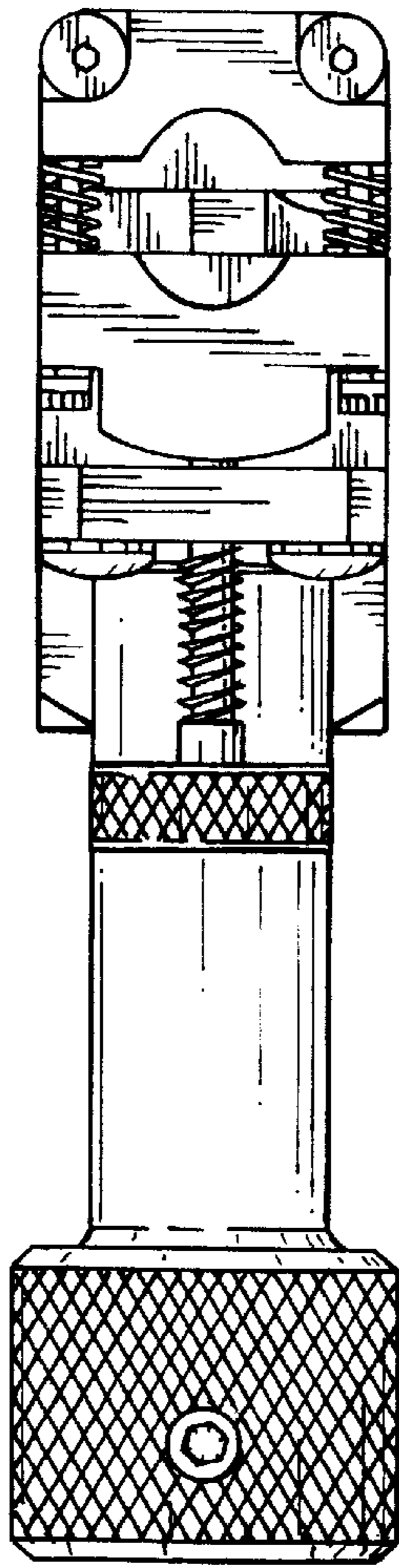


FIG. 3

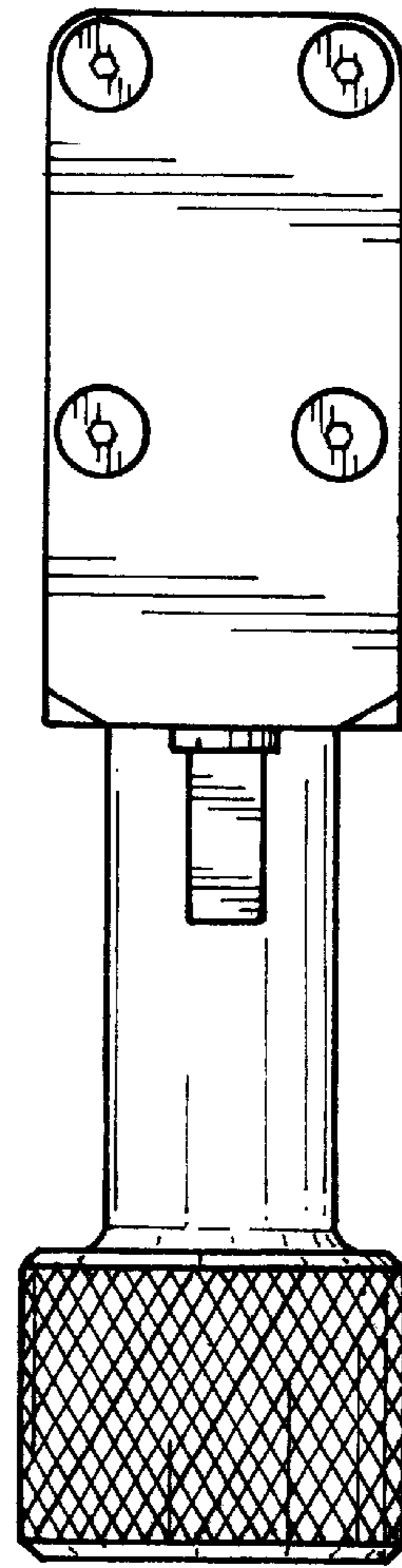


FIG. 4

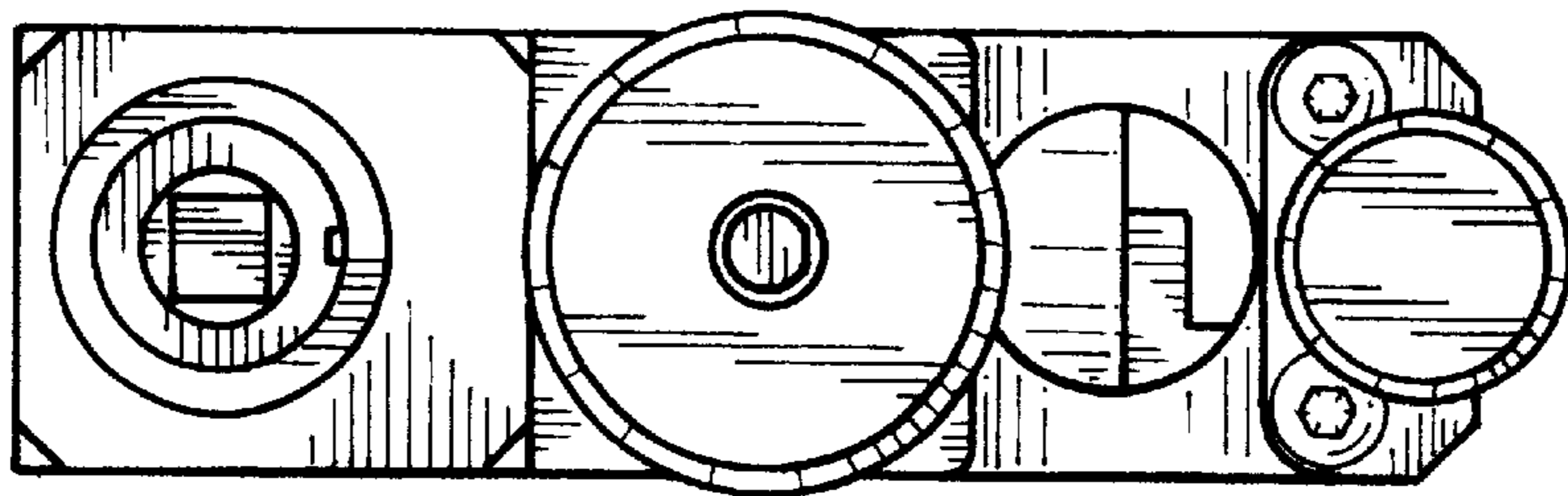


FIG. 5

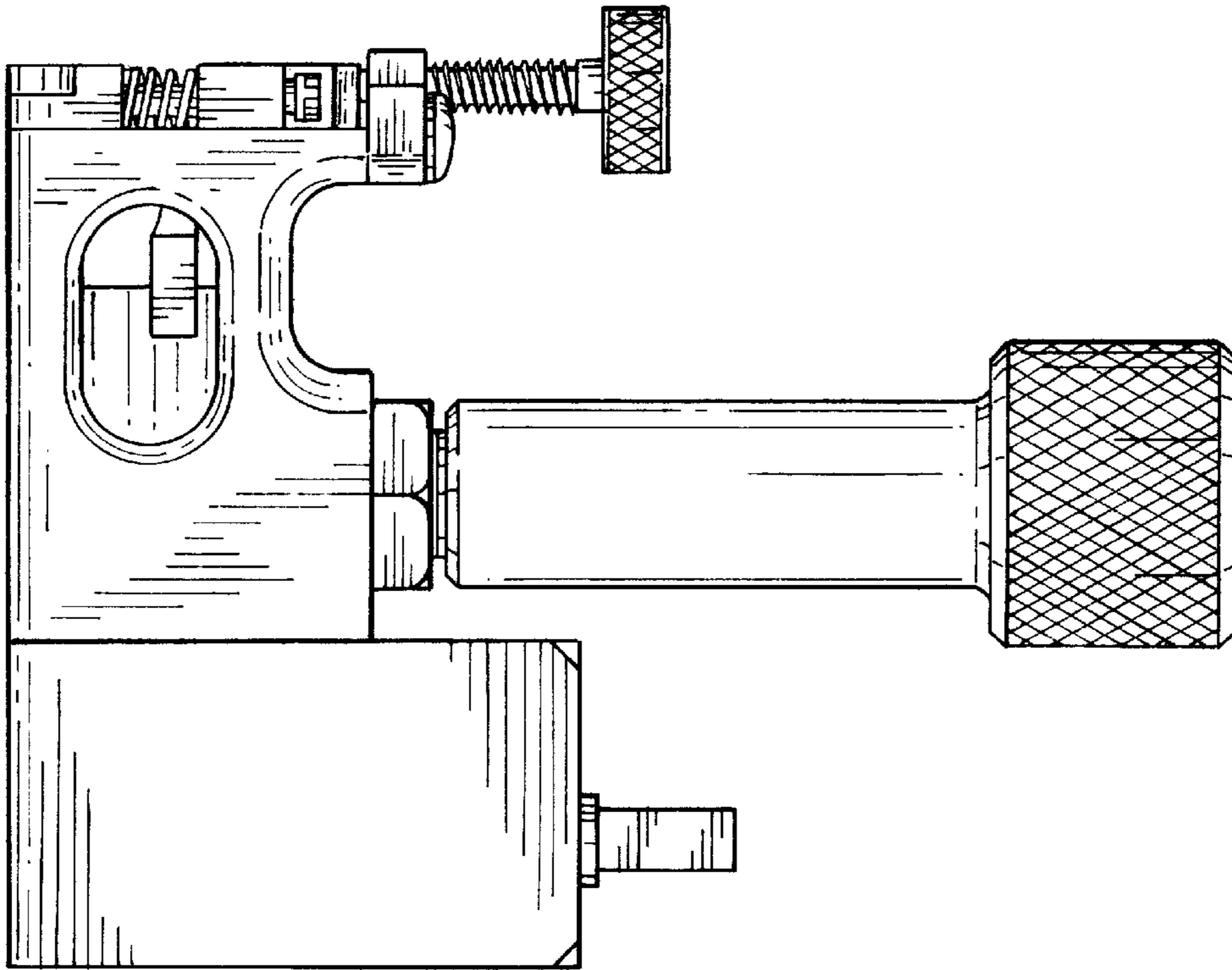


FIG. 7

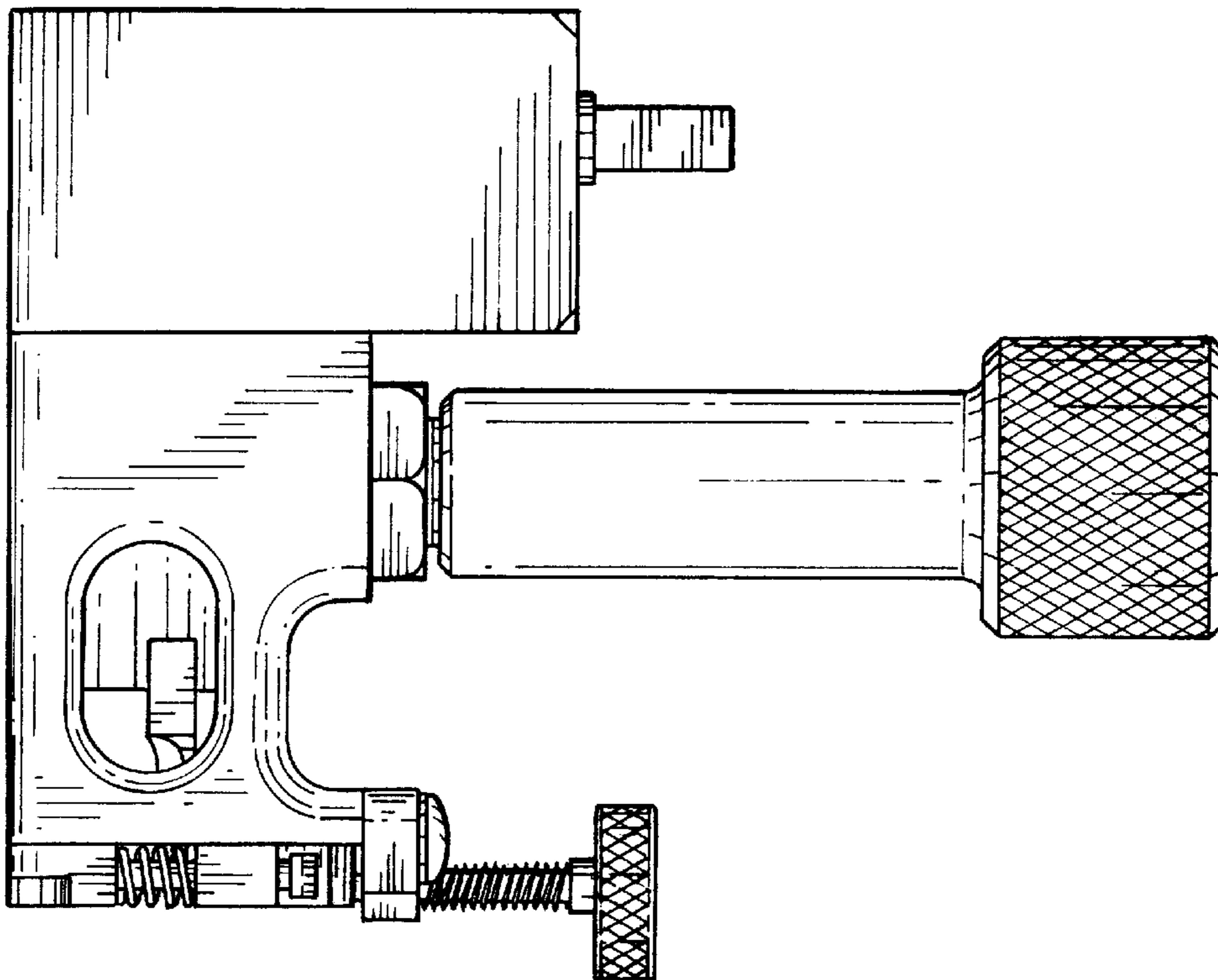


FIG. 6