



US00D413905S

# United States Patent [19]

Schmidt et al.

[11] Patent Number: **Des. 413,905**

[45] Date of Patent: **\*\* \*Sep. 14, 1999**

[54] **TRACTOR HOOD**

[75] Inventors: **John Schmidt**, Grosse Point Woods;  
**Milton Antonick**, Royal Oak, both of Mich.

[73] Assignee: **AGCO Limited**, United Kingdom

[\*] Notice: This patent is subject to a terminal disclaimer.

[\*\*] Term: **14 Years**

[21] Appl. No.: **29/067,902**

[22] Filed: **Mar. 12, 1997**

### [30] Foreign Application Priority Data

Sep. 14, 1996 [GB] United Kingdom ..... 2059309

[51] **LOC (6) Cl.** ..... **15-03**

[52] **U.S. Cl.** ..... **D15/31**

[58] **Field of Search** ..... D15/14-17, 22,  
D15/23, 28, 31; 56/17.5, 249, 255, 295,  
320.1, 320.2

### [56] References Cited

#### U.S. PATENT DOCUMENTS

- D. 193,838 10/1962 Dreyfuss .
- D. 246,370 11/1977 Lorenz ..... D15/31
- D. 297,330 8/1988 Monehaie et al. .... D15/31
- D. 311,543 10/1990 Hardzinski et al. .... D15/17
- D. 329,242 9/1992 Holm et al. .... D15/17

- D. 341,365 11/1993 Little et al. .... D15/31
- D. 381,025 7/1997 Bataille ..... D15/31
- D. 389,492 1/1998 Schmidt et al. .... D15/31

#### OTHER PUBLICATIONS

Massey Ferguson 1210/1220/1230 Compact Tractors catalog, 1993.

Massey Ferguson 1250/1260 Compact Tractors catalog, 1993.

Massey Ferguson Lawn Tractor Range catalog, 1990.

Massey Ferguson Grass Equipment catalog (undated).

Massey Ferguson 300 Series catalog, 1993.

Massey Ferguson 3000/3100 Series catalog, 1993.

Massey Ferguson 3600 Series catalog, 1993.

*Primary Examiner*—Sandra L. Morris

*Attorney, Agent, or Firm*—MacMillan, Sobanski & Todd, LLC

### [57] CLAIM

The ornamental design for a tractor hood, as shown and described.

### DESCRIPTION

FIG. 1 is a perspective view of a tractor hood, showing our new design;

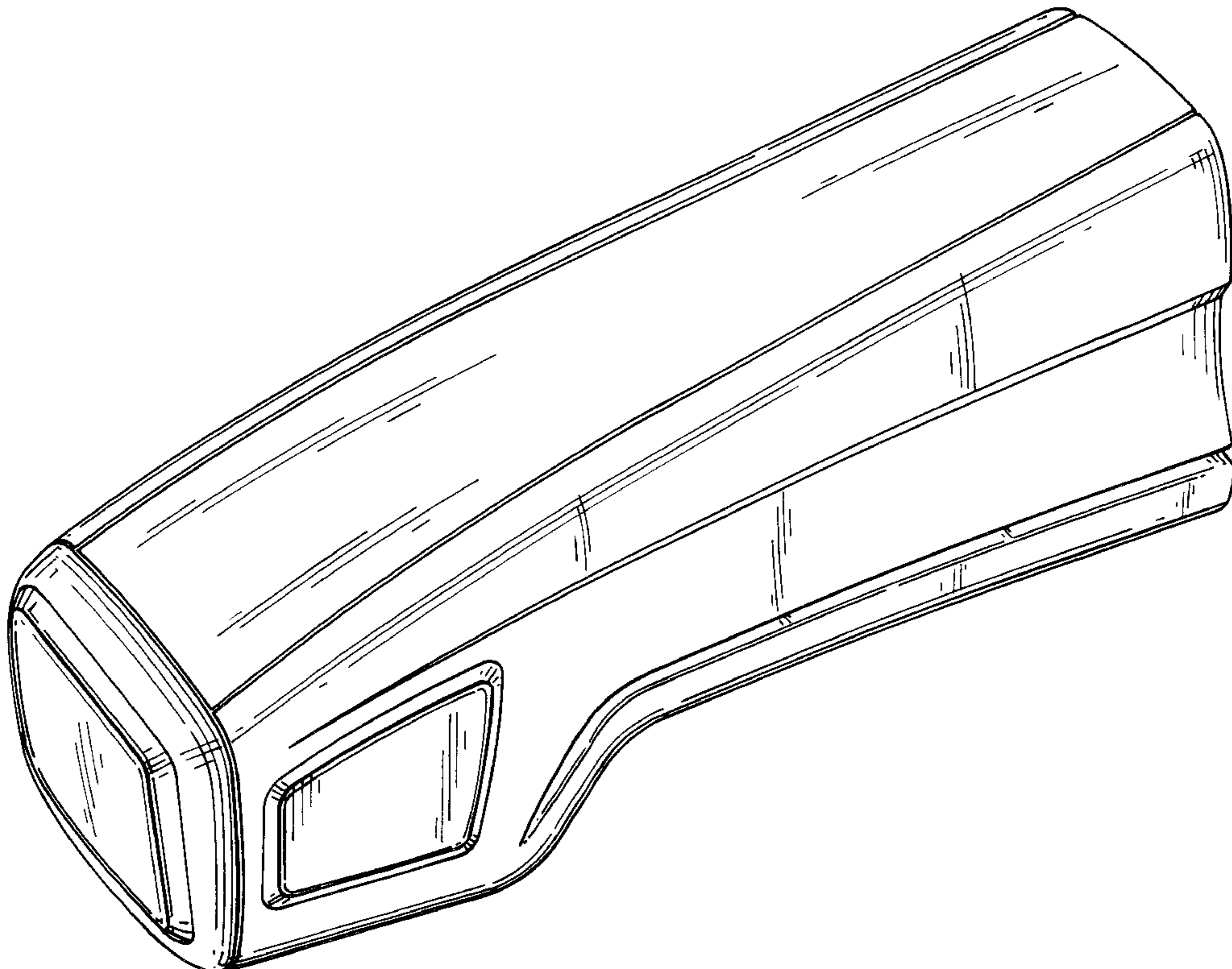
FIG. 2 is a side elevational view thereof, the other side being identical;

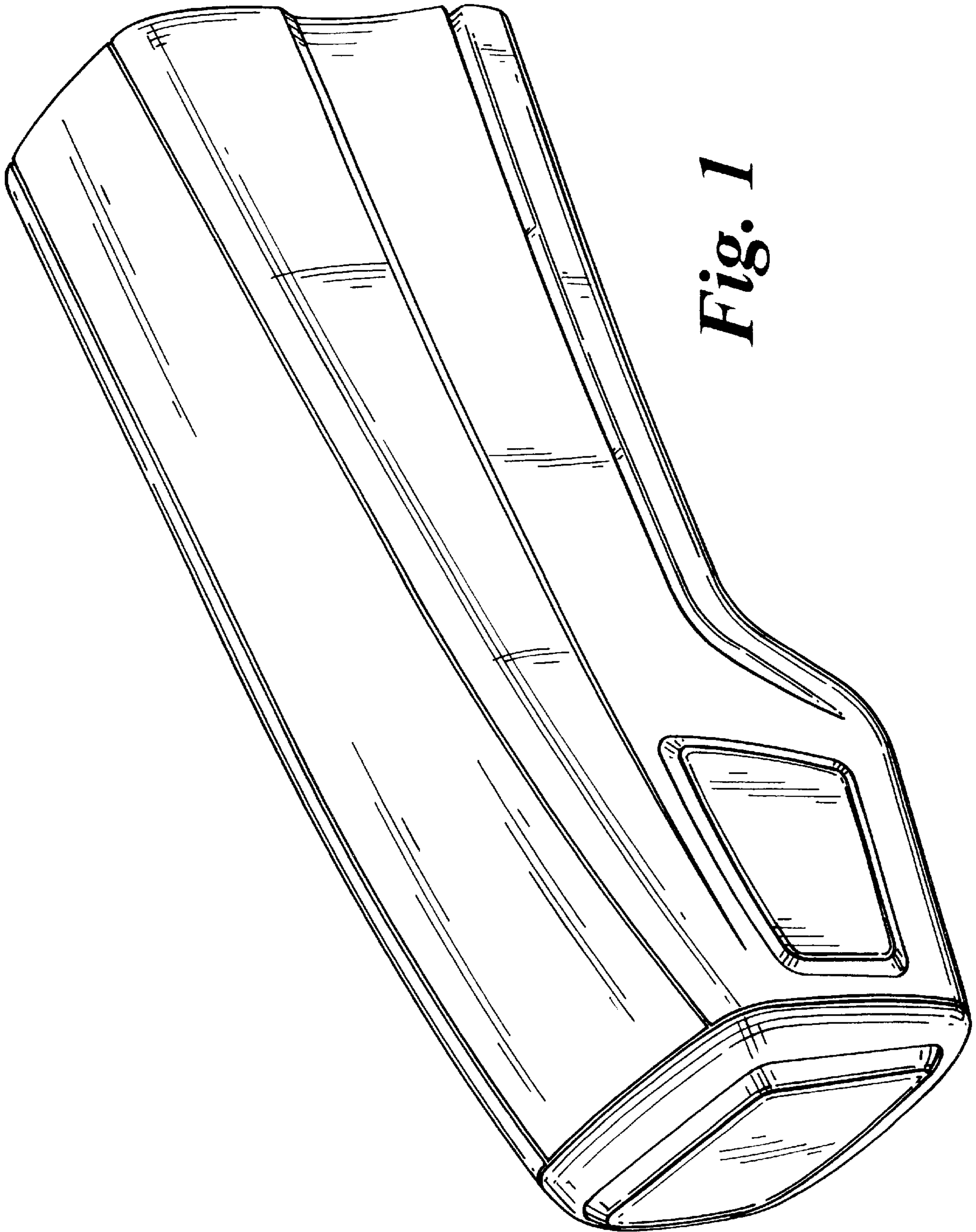
FIG. 3 is a top plan view thereof;

FIG. 4 is a front elevational view thereof; and,

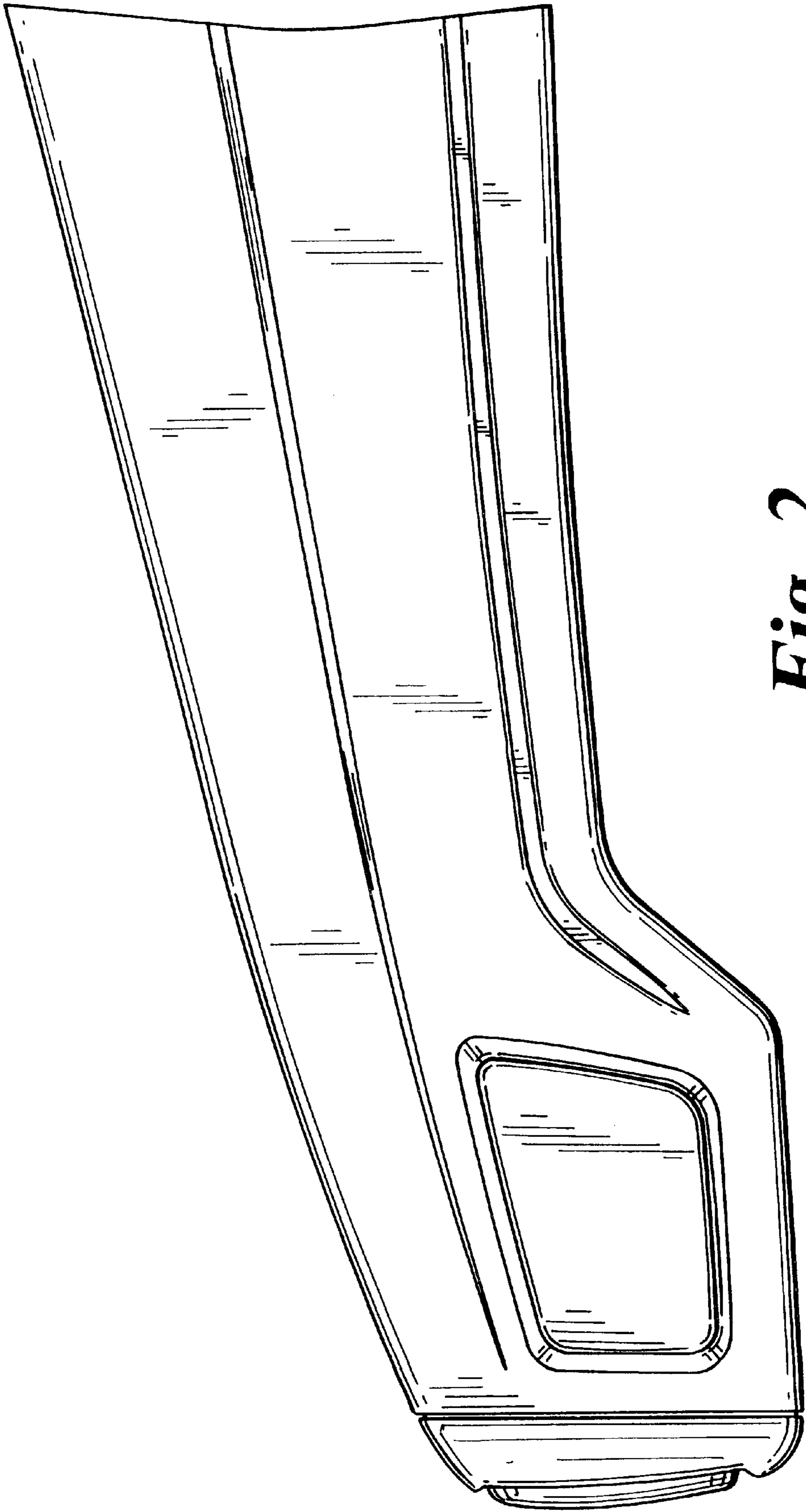
FIG. 5 is a rear elevational view thereof.

**1 Claim, 5 Drawing Sheets**

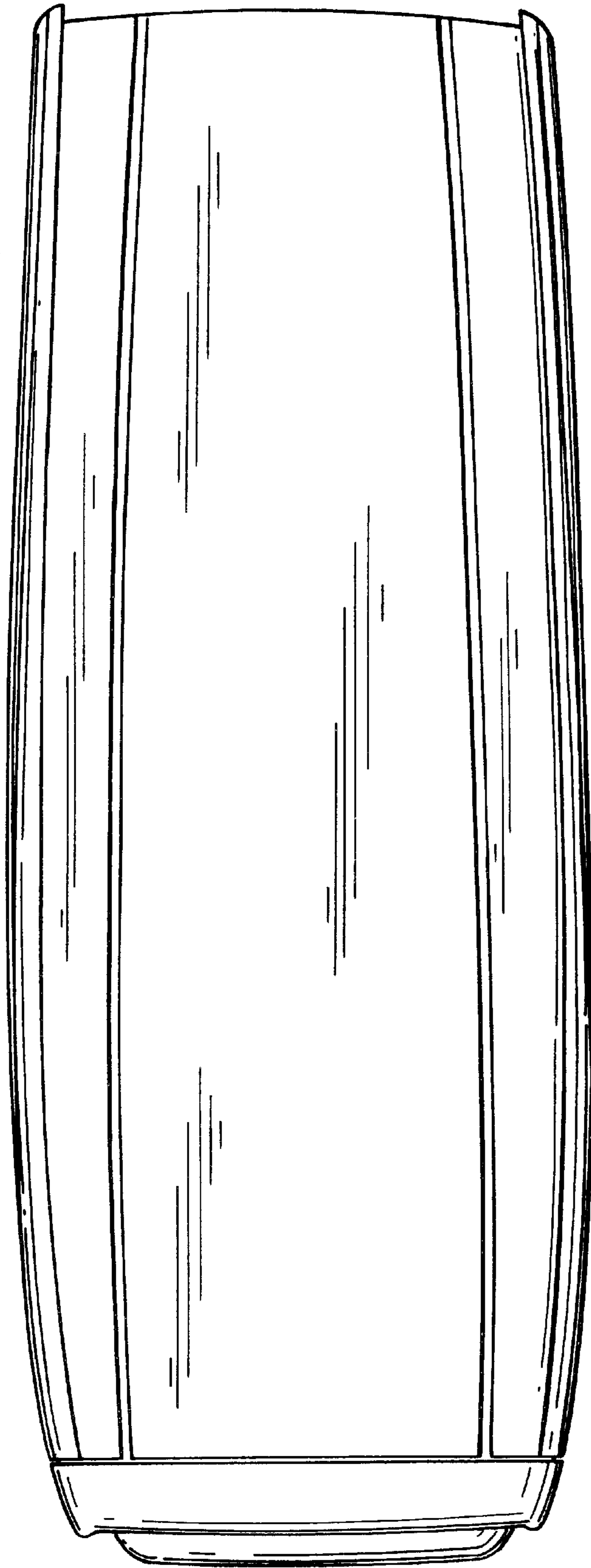




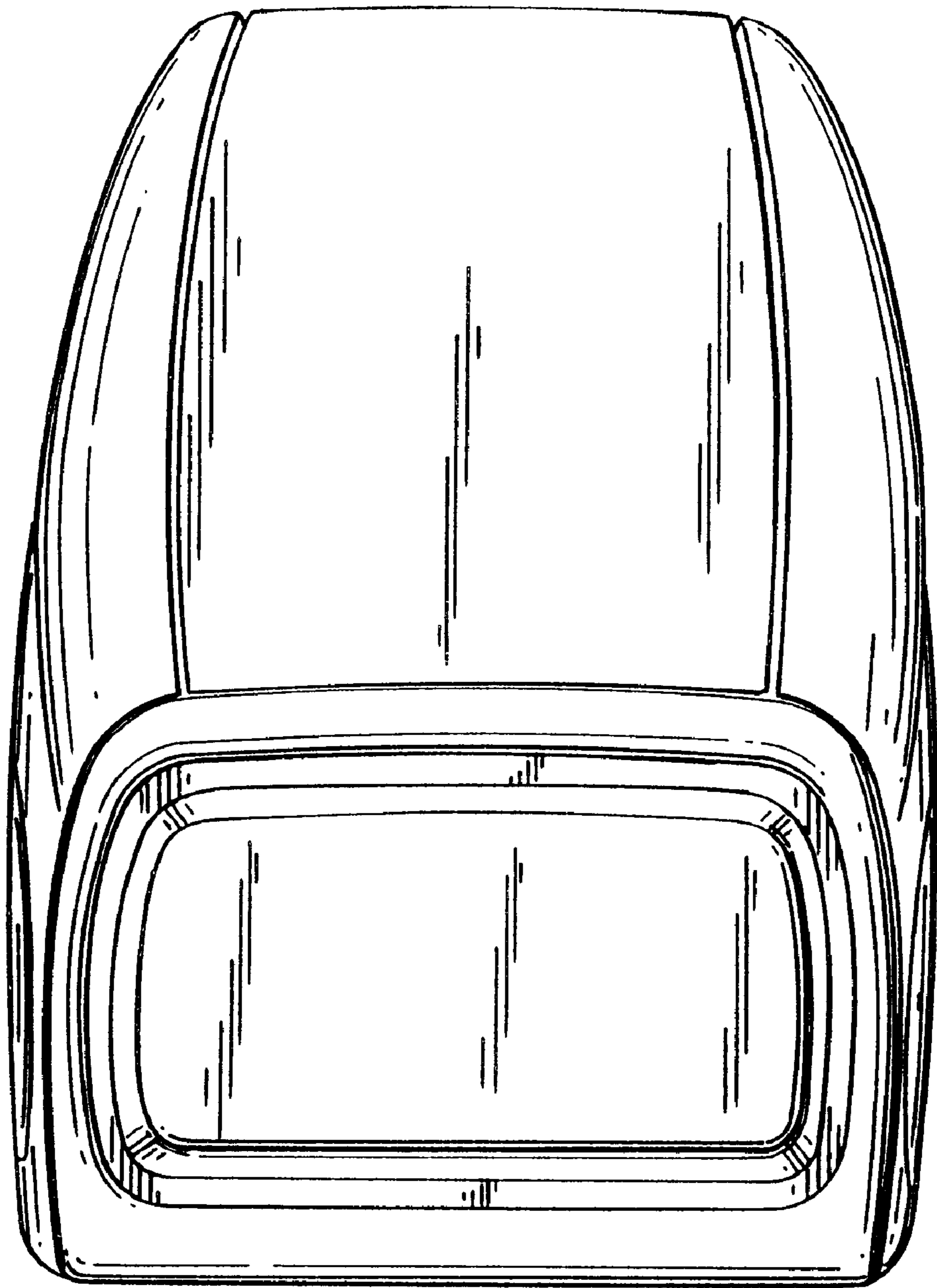
*Fig. 1*



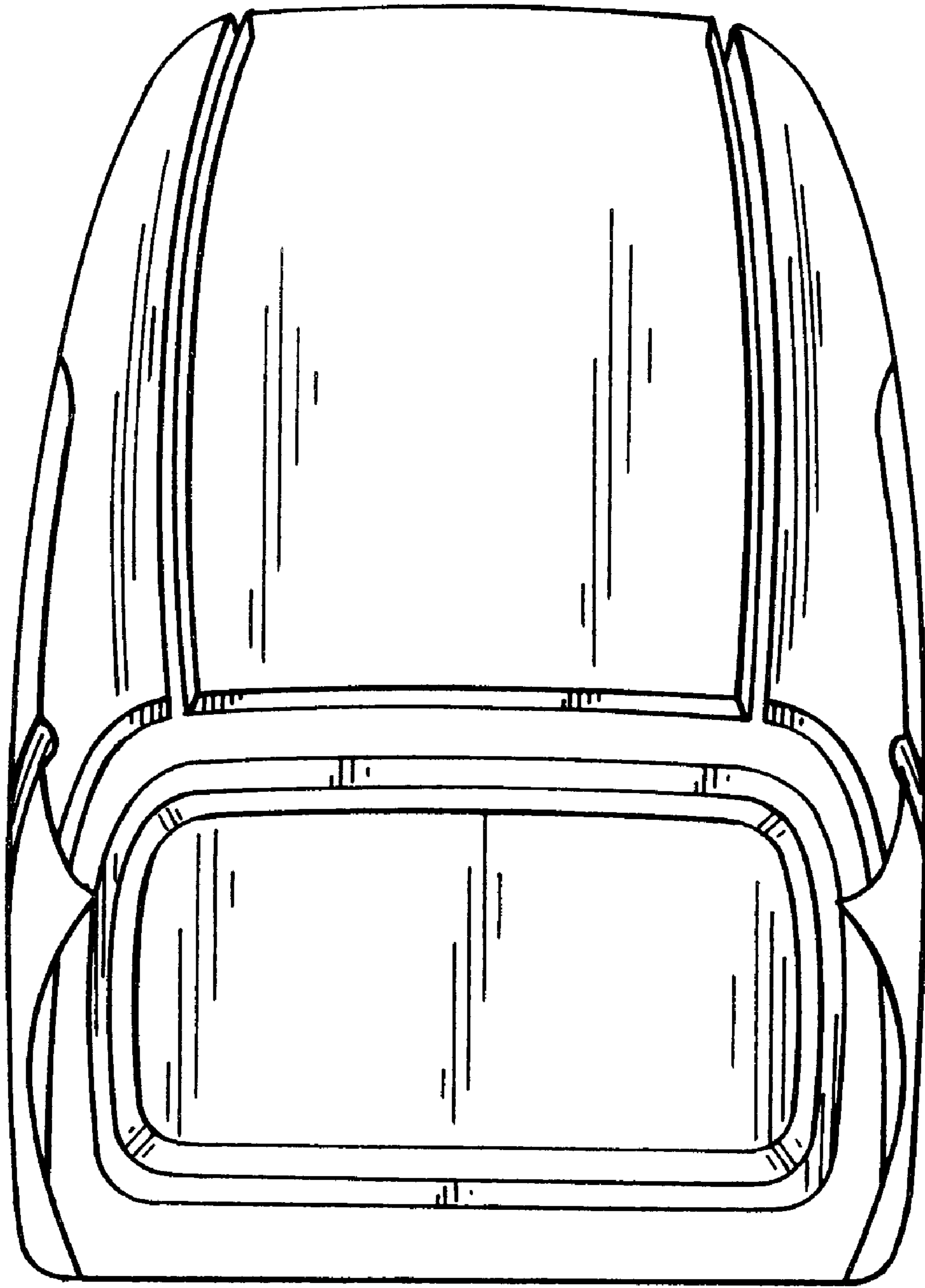
*Fig. 2*



*Fig. 3*



*Fig. 4*



*Fig. 5*