



US00D413904S

# United States Patent [19] Spear

[11] Patent Number: Des. 413,904

[45] Date of Patent: \*\* Sep. 14, 1999

[54] DUAL MODE SPREADER

[75] Inventor: Kenneth J. Spear, Vienna, W. Va.

[73] Assignee: O. Ames Co., Parkersburg, W. Va.

[\*\*] Term: 14 Years

[21] Appl. No.: 29/100,643

[22] Filed: Feb. 16, 1999

[51] LOC (6) Cl. .... 15-03

[52] U.S. Cl. .... D15/13

[58] Field of Search ..... D15/10-14; 222/45,  
222/625; 239/650, 681-689

[56] **References Cited**

U.S. PATENT DOCUMENTS

D. 373,367	9/1996	Havlovitz	.....	D15/13
D. 376,155	12/1996	Havlovitz	.....	D15/13
D. 384,679	10/1997	Havlovitz et al.	.....	D15/13
4,032,074	6/1977	Amerine	.....	239/685
5,597,092	1/1997	Havlovitz	.....	222/45
5,842,648	12/1998	Havlovitz et al.	.....	239/650

Primary Examiner—Sandra L. Morris  
Attorney, Agent, or Firm—W. Warren Taltavull; Farkas & Manelli PLL

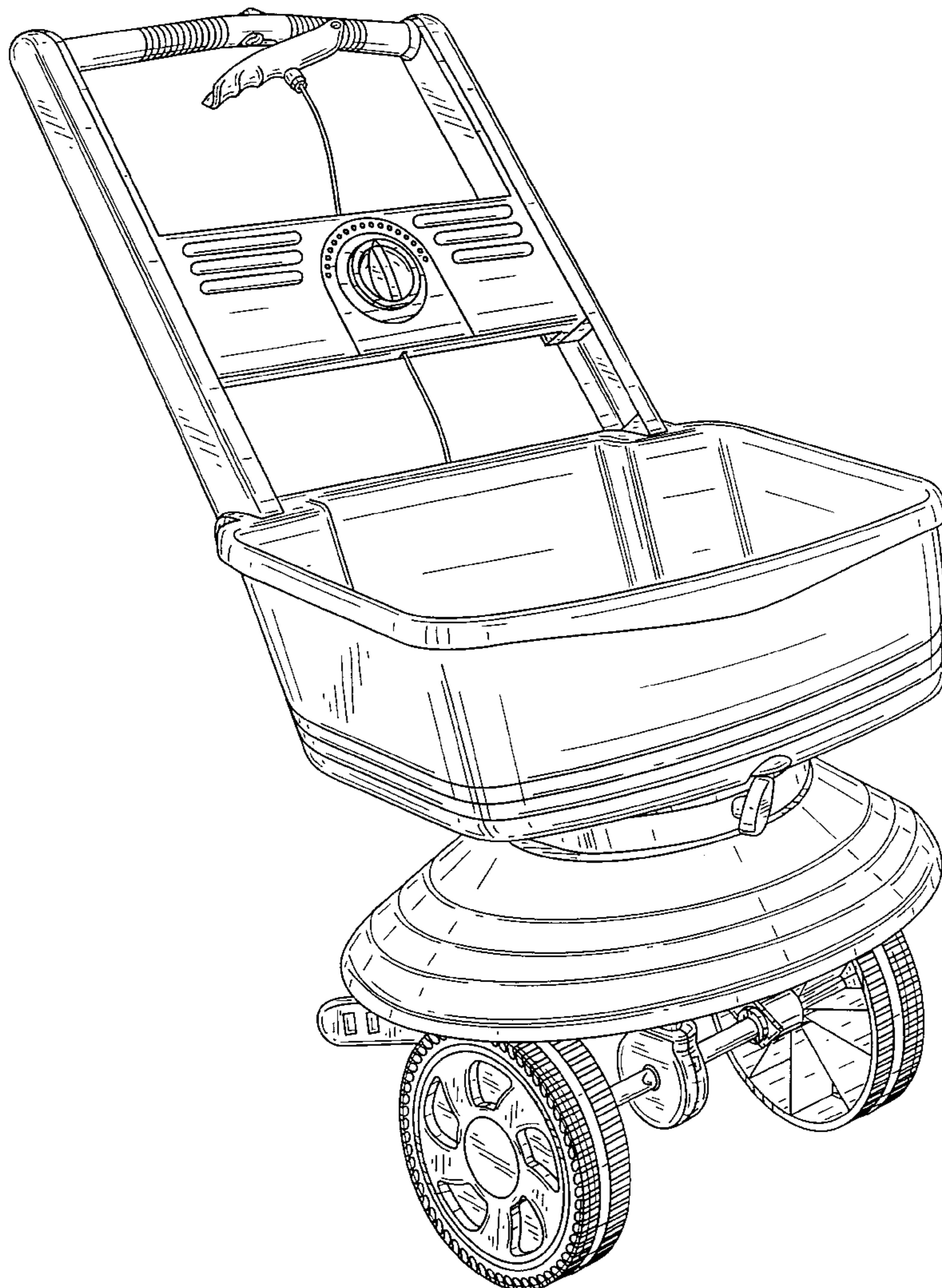
[57] **CLAIM**

The ornamental design for a dual mode spreader, as shown and described.

**DESCRIPTION**

FIG. 1 is a perspective view of a dual mode spreader in a broadcast mode embodying my new design, the perspective looking down on the front and right side thereof; FIG. 2 is a left side elevational view thereof; FIG. 3 is a right side elevational view thereof; FIG. 4 is a front elevational view thereof; FIG. 5 is a rear elevational view thereof; FIG. 6 is a top plan view thereof; FIG. 7 is a bottom plan view thereof; FIG. 8 is a view similar to FIG. 2 showing the dual mode spreader in a folded storage or transporting position; and, FIG. 9 is a view similar to FIG. 1 with the dual mode spreader in a drop mode.

1 Claim, 9 Drawing Sheets



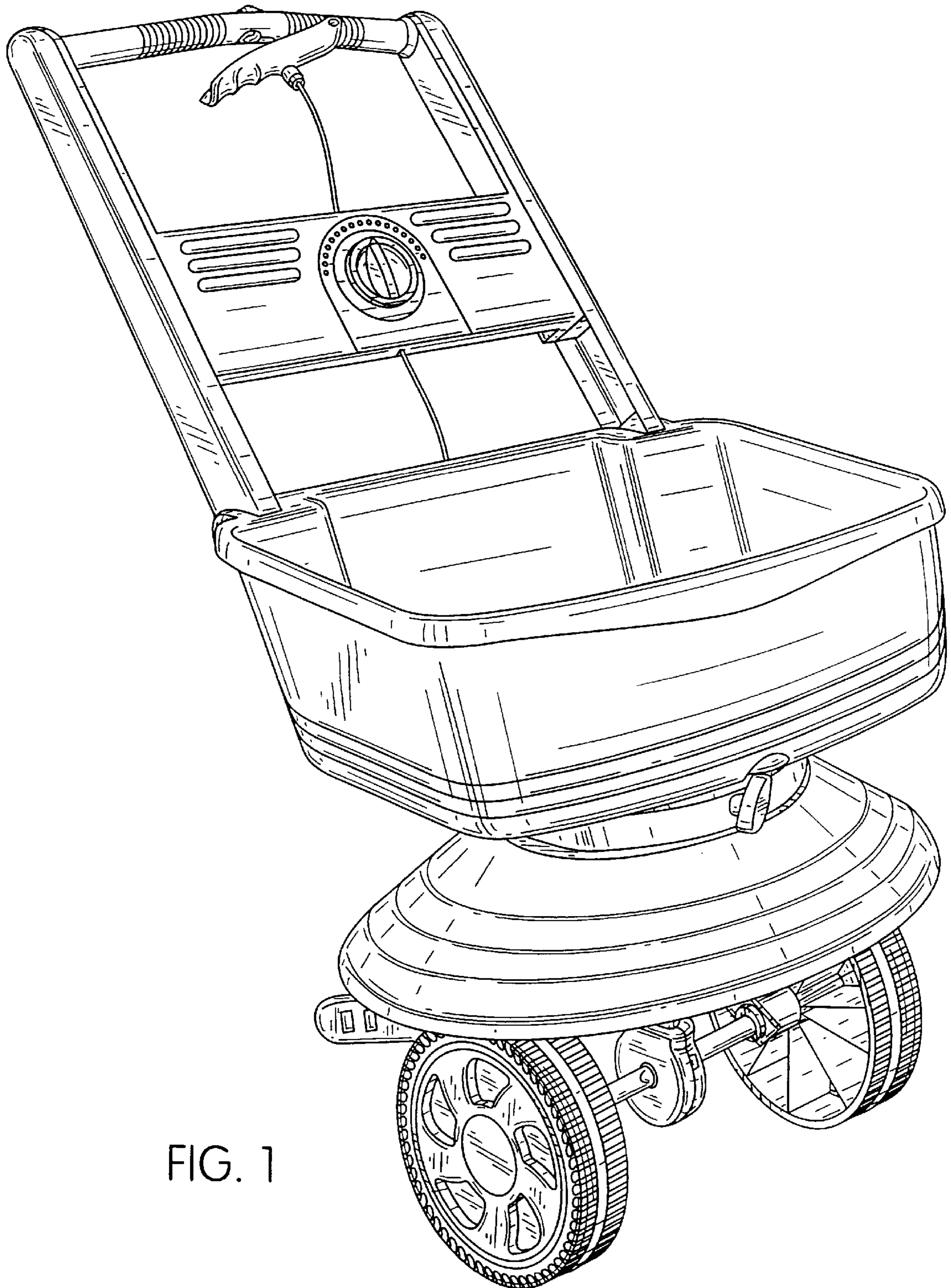


FIG. 1

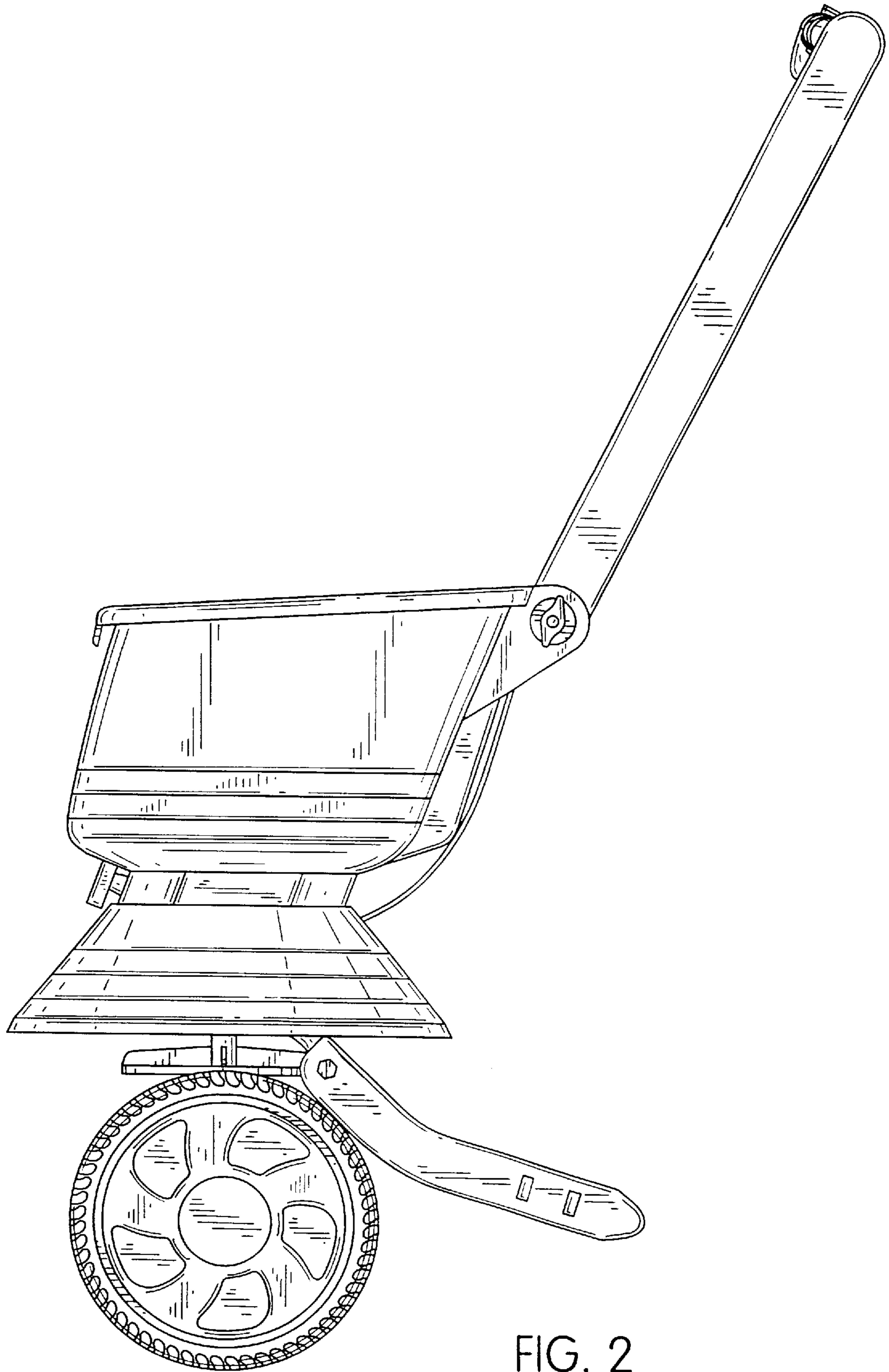


FIG. 2

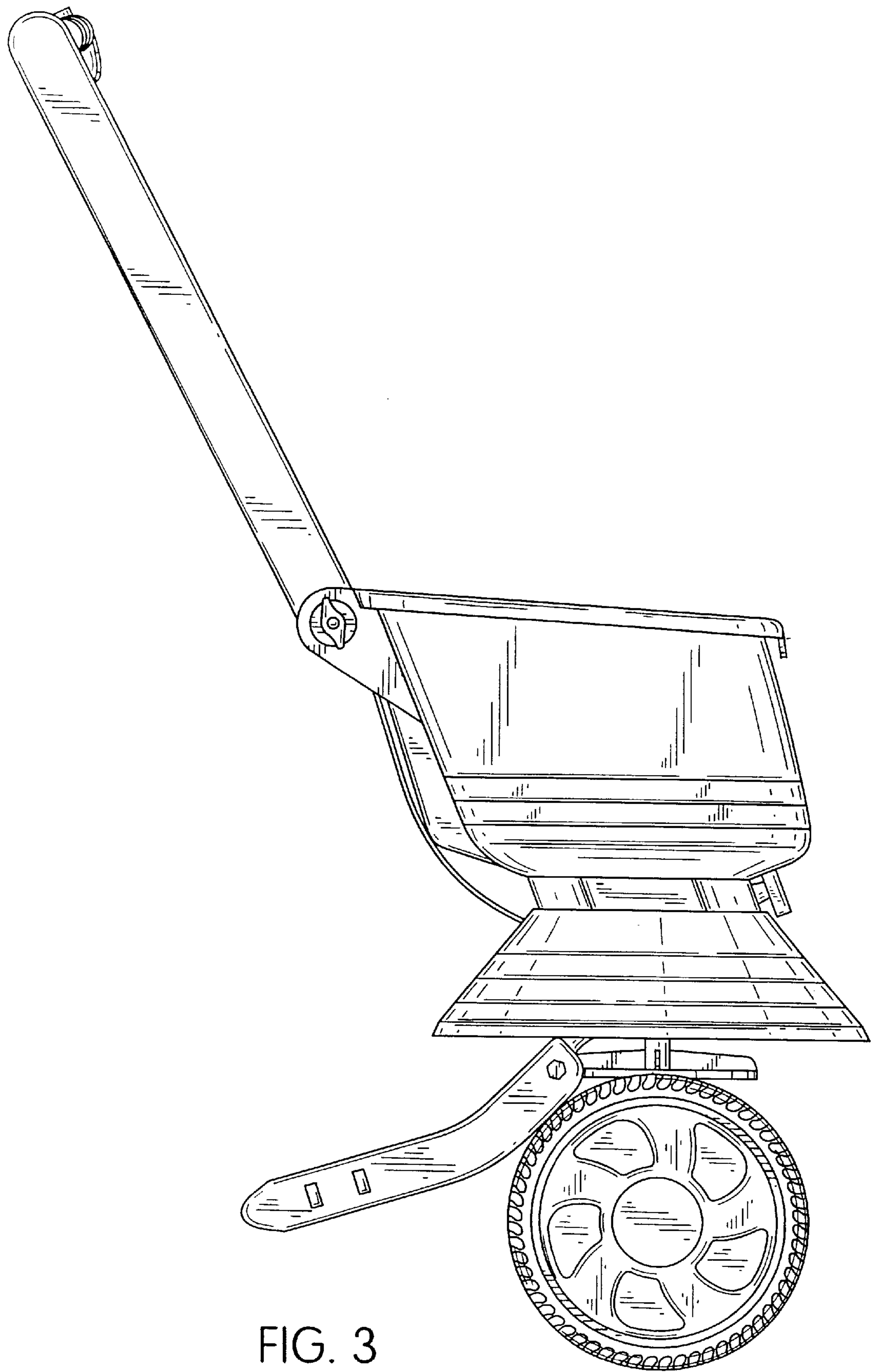


FIG. 3

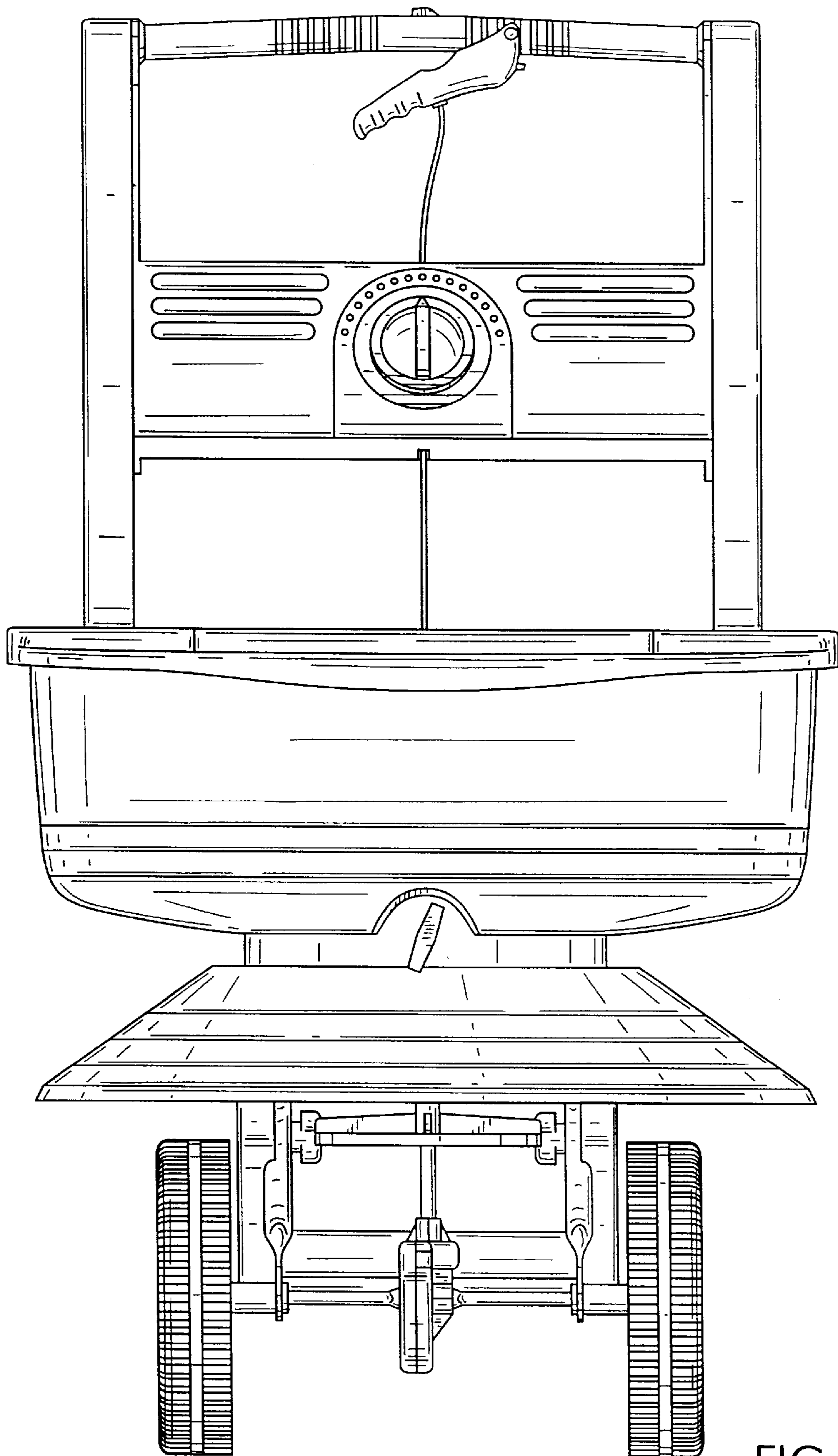


FIG. 4

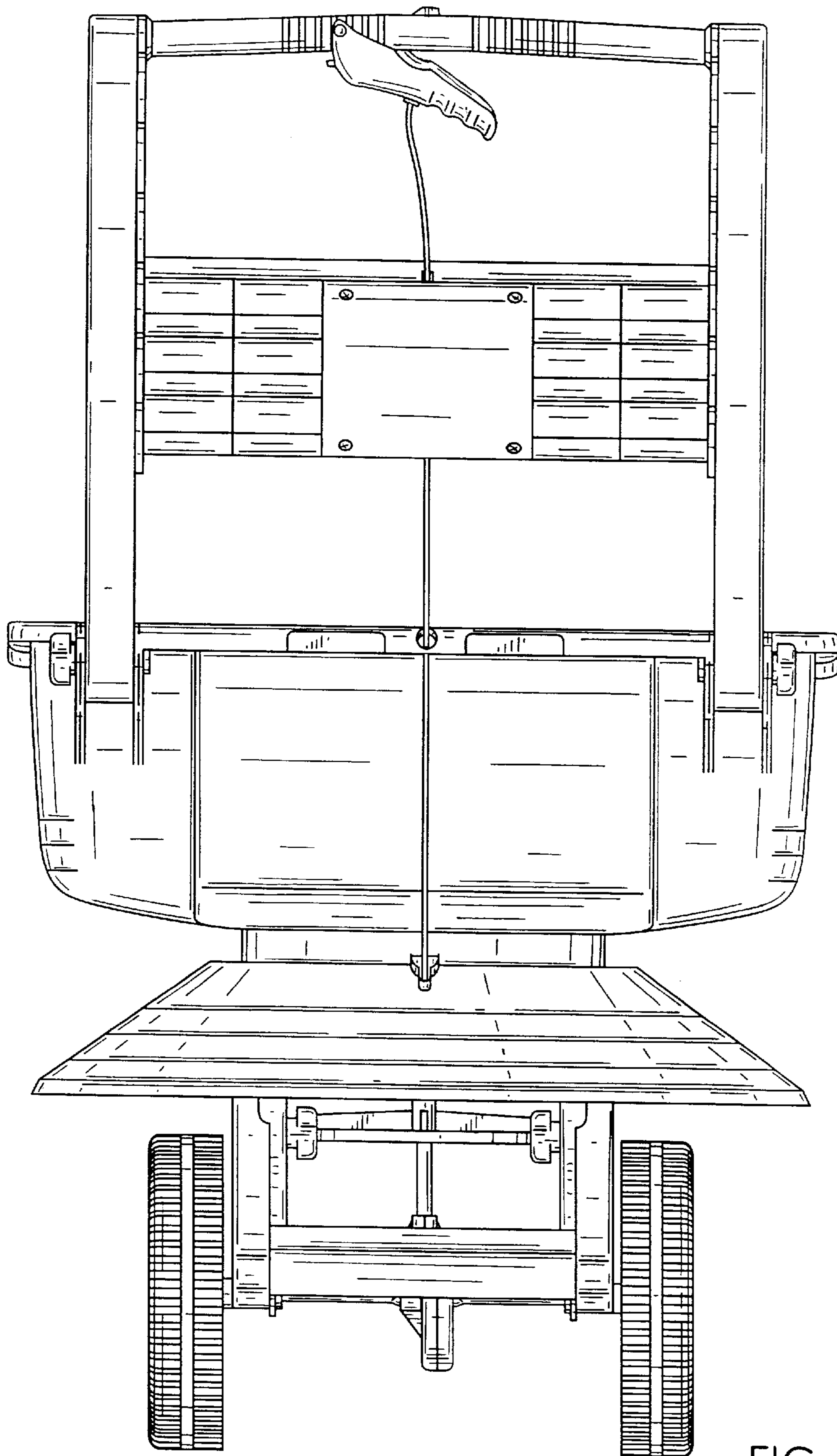


FIG. 5

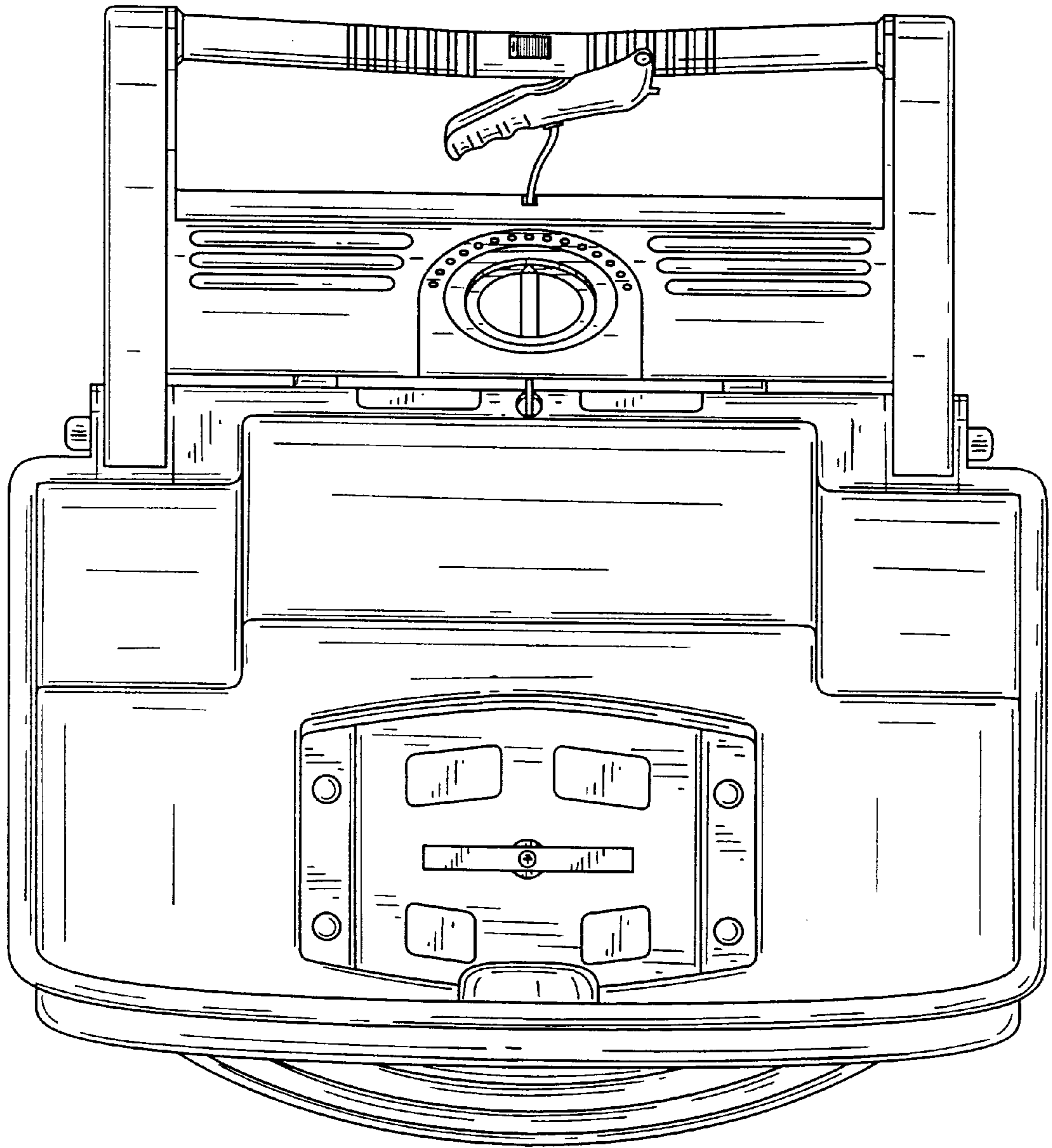


FIG. 6

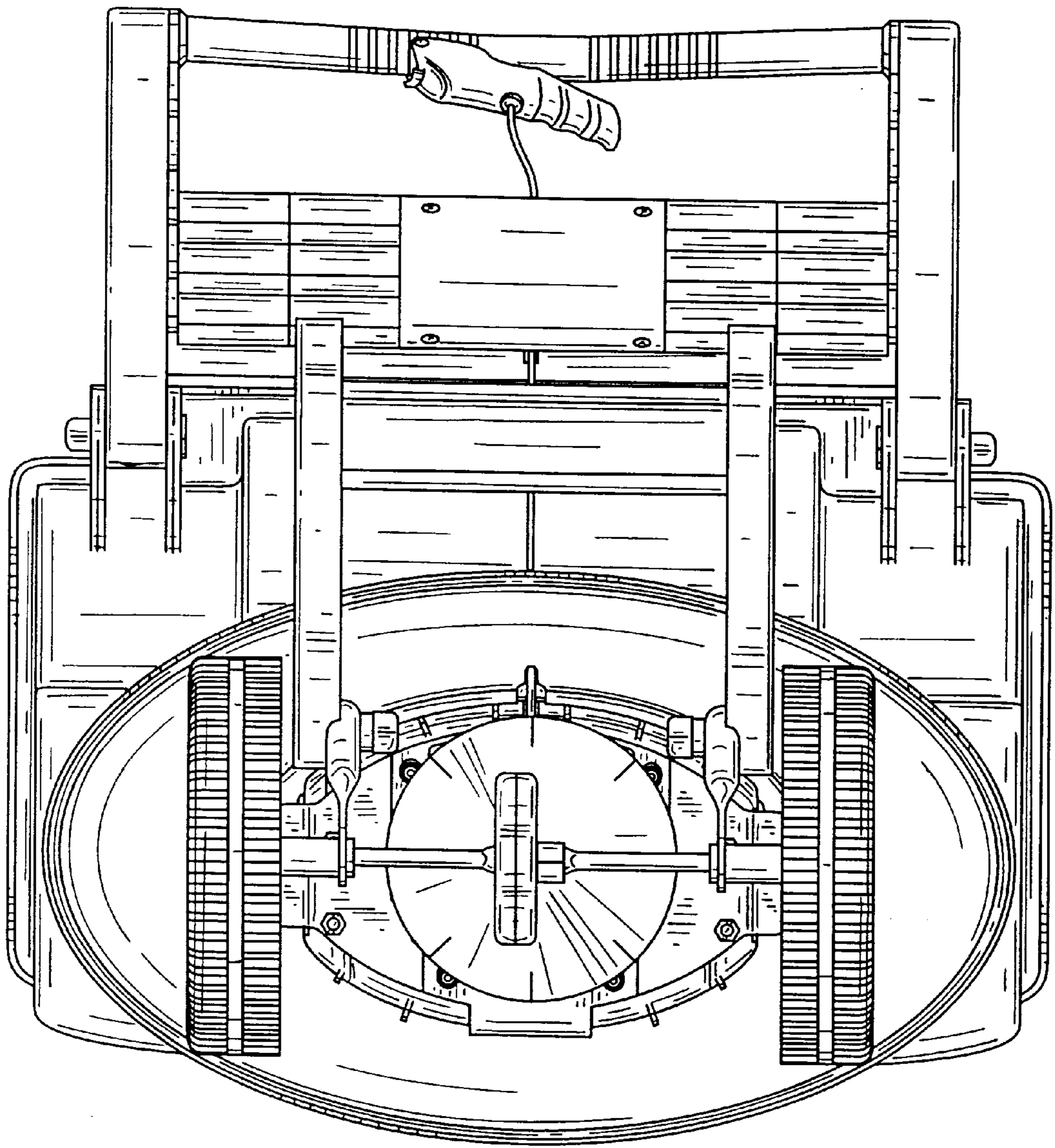


FIG. 7



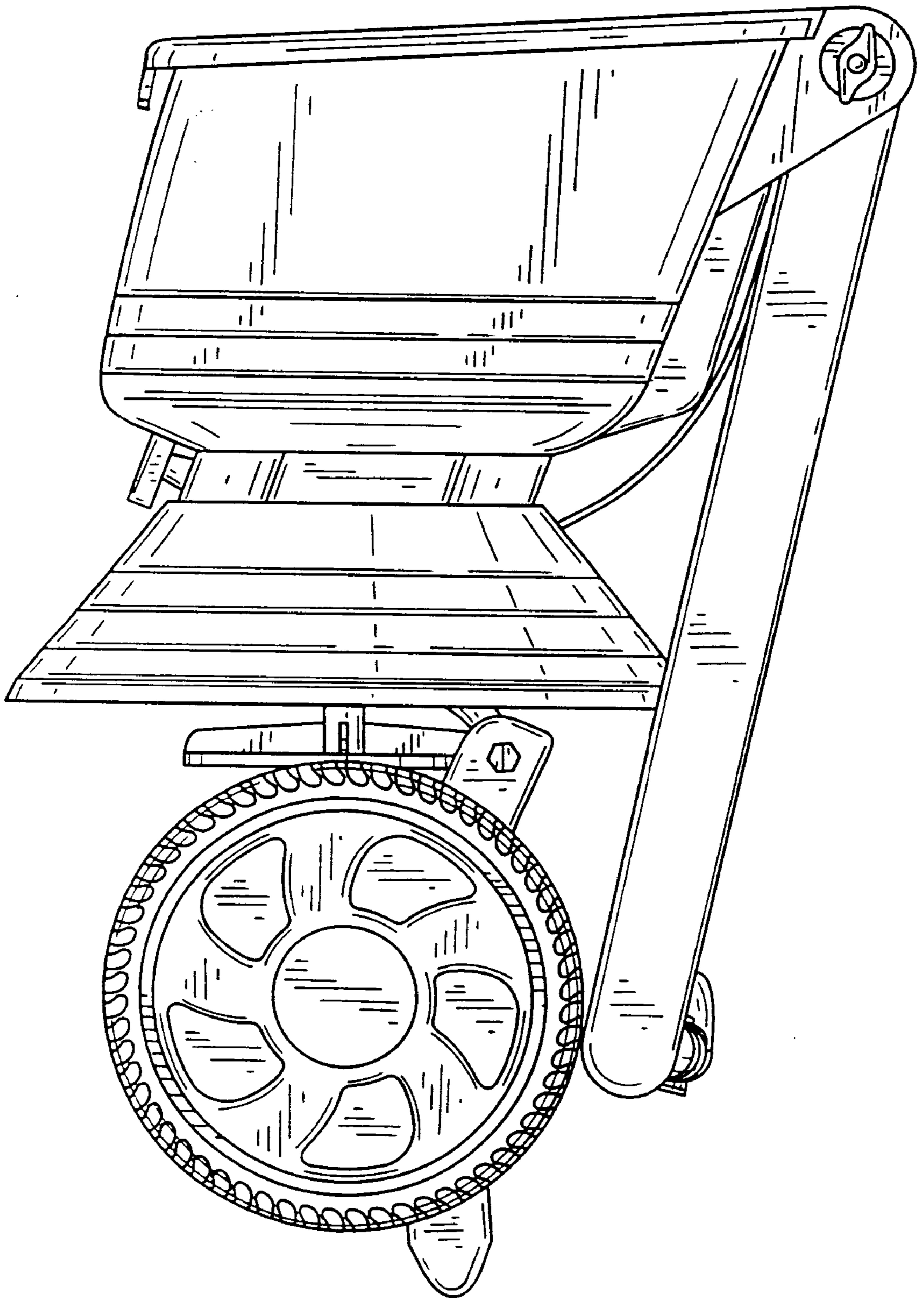


FIG. 8

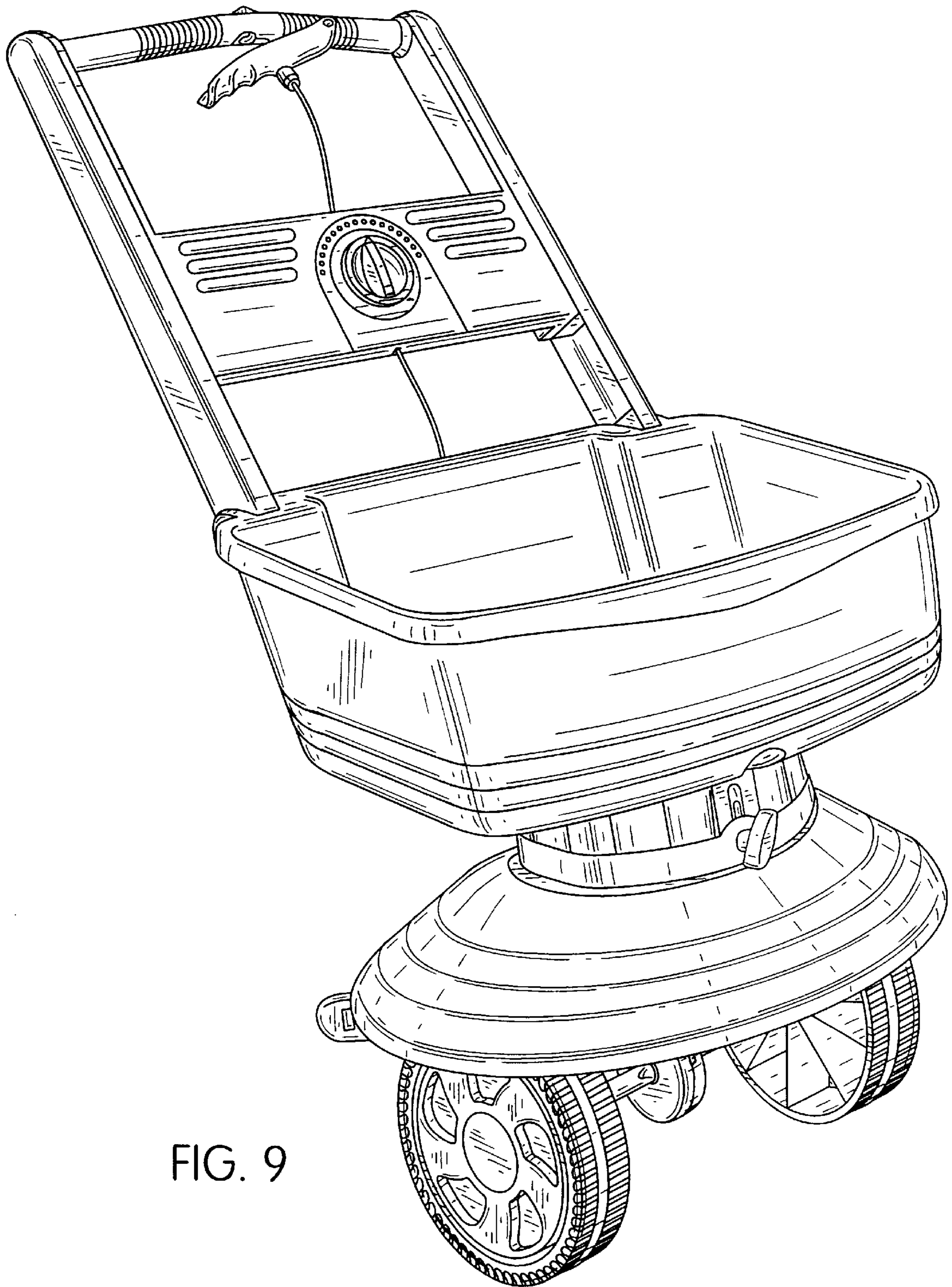


FIG. 9