



US00D413903S

United States Patent [19] Spear

[11] **Patent Number: Des. 413,903**

[45] **Date of Patent: ** Sep. 14, 1999**

[54] **DROP SPREADER**

[75] Inventor: **Kenneth J. Spear**, Vienna, W. Va.

[73] Assignee: **O. Ames Co.**, Parkersburg, W. Va.

[**] Term: **14 Years**

[21] Appl. No.: **29/097,669**

[22] Filed: **Dec. 11, 1998**

[51] **LOC (6) Cl. 15-03**

[52] **U.S. Cl. D15/13**

[58] **Field of Search D15/10.14; 222/45,
222/625; 239/650, 681-689**

[56] **References Cited**

U.S. PATENT DOCUMENTS

D. 373,367	9/1996	Havlovitz	D15/13
D. 376,155	12/1996	Havlovitz	D15/13
D. 384,679	10/1997	Havlovitz et al.	D15/13
5,597,092	1/1997	Havlovitz	222/45
5,842,648	12/1998	Havlovitz et al.	239/650

Primary Examiner—Sandra L. Morris
Attorney, Agent, or Firm—W. Warren Taltavull; Farkas & Manelli PLLC

[57] **CLAIM**

The ornamental design for a drop spreader, as shown and described.

DESCRIPTION

FIG. 1 is a perspective view of a drop spreader embodying my new design, the perspective looking down on the front and right side thereof;

FIG. 2 is a right side elevational view thereof;

FIG. 3 is a left side elevational view thereof;

FIG. 4 is a front elevational view thereof;

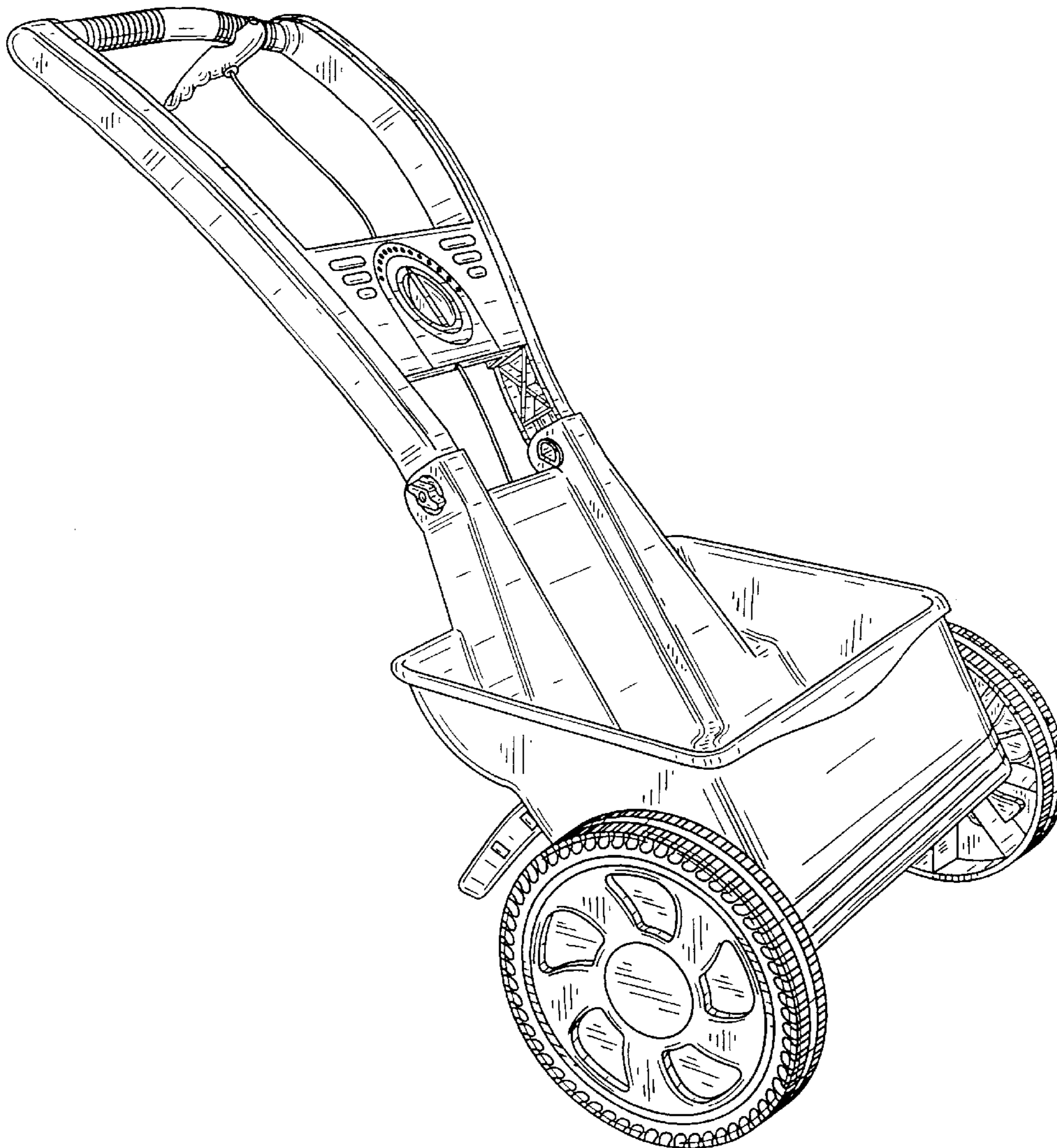
FIG. 5 is a rear elevational view thereof;

FIG. 6 is a top plan view thereof;

FIG. 7 is a bottom plan view thereof; and,

FIG. 8 is a view similar to FIG. 2 showing the drop spreader in a folded storage or transporting position.

1 Claim, 8 Drawing Sheets



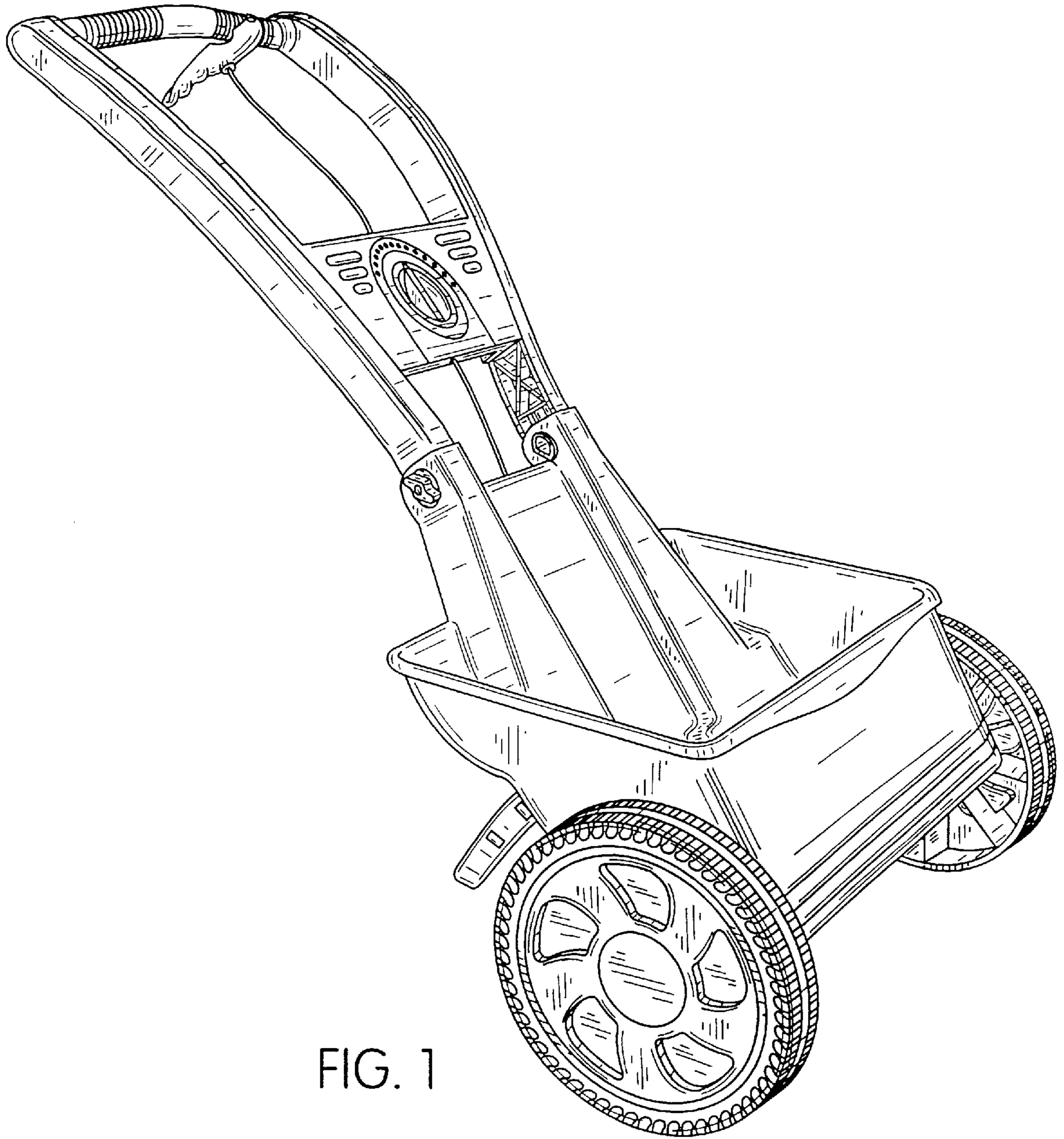


FIG. 1

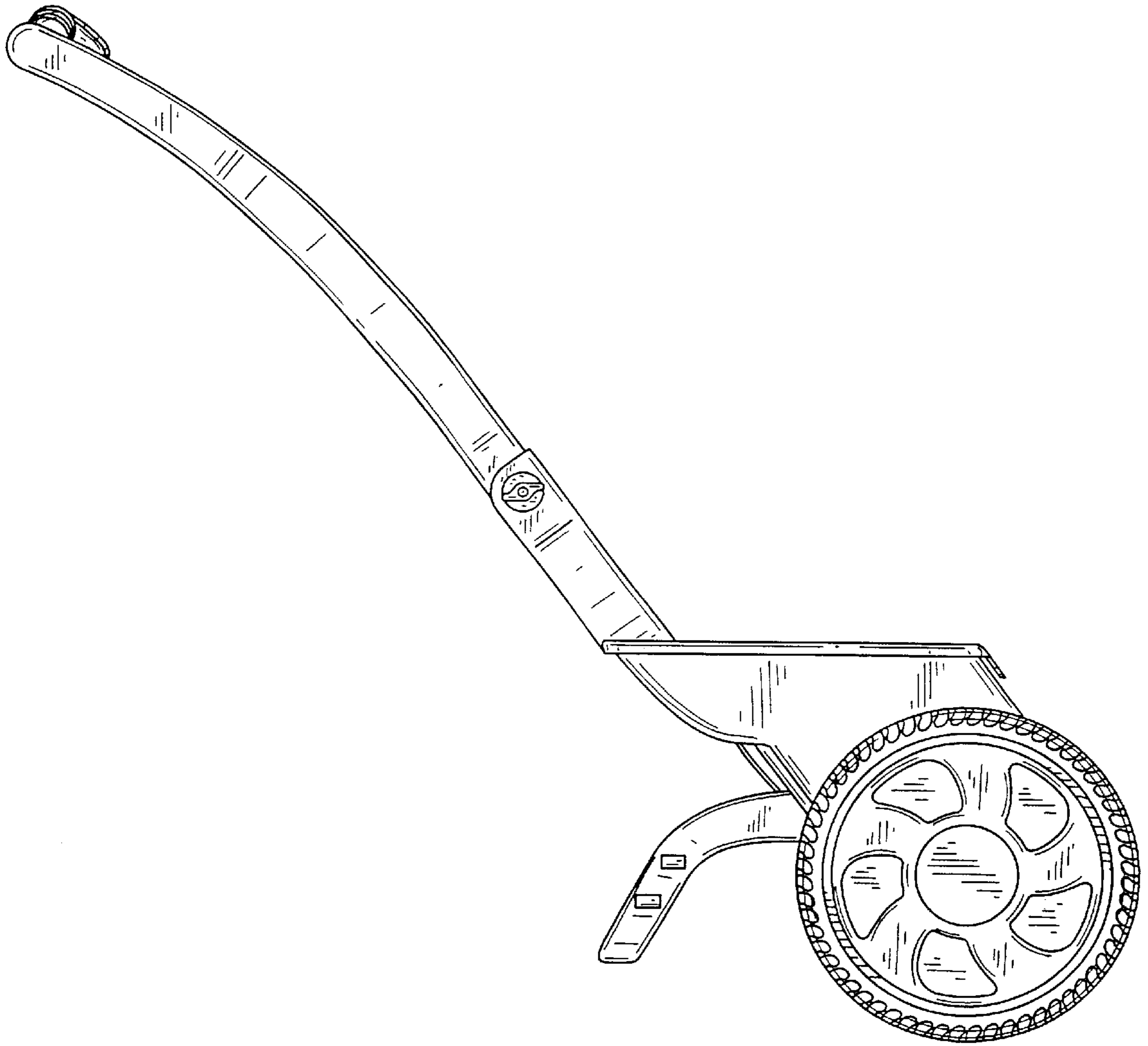


FIG. 2

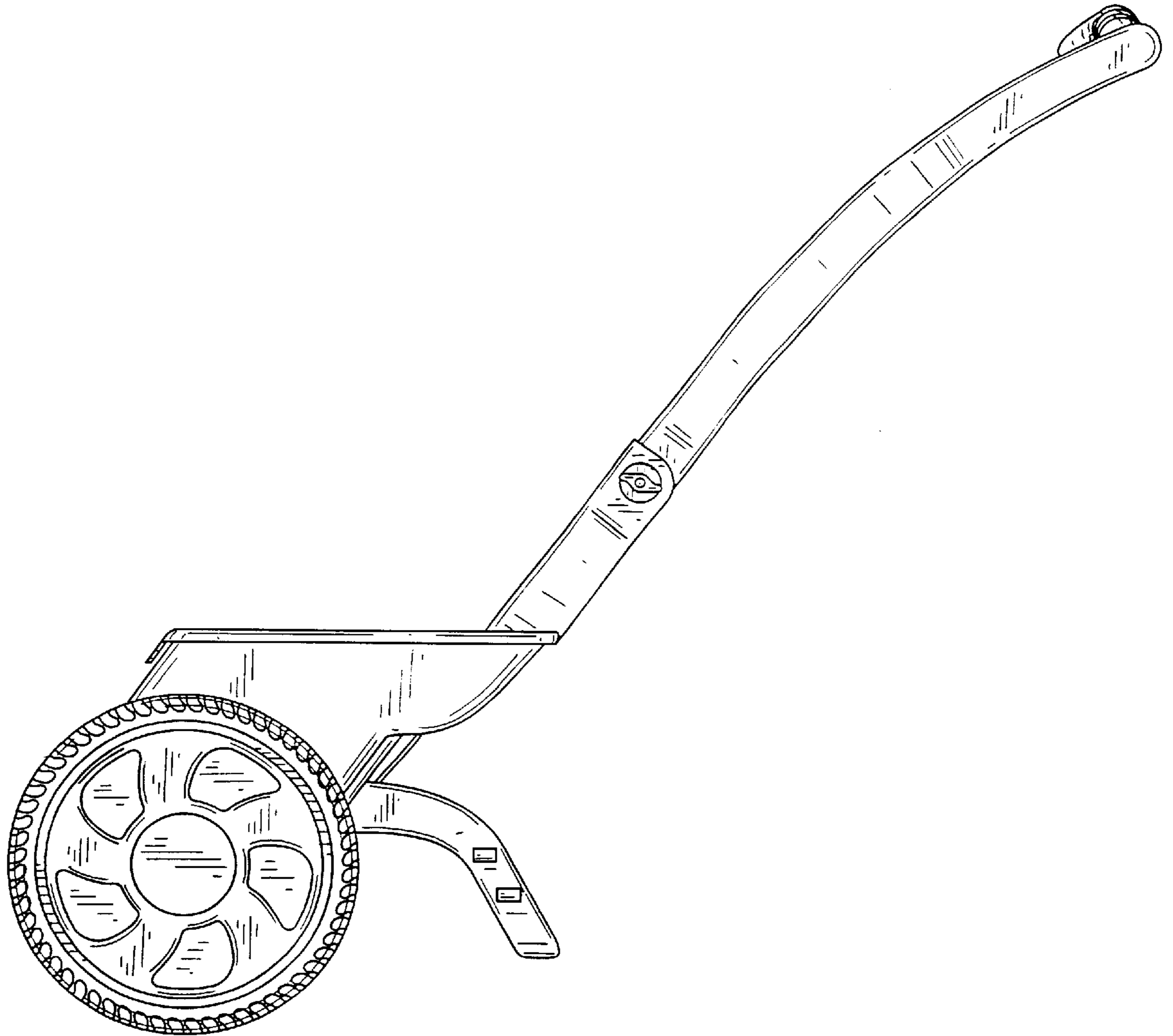


FIG. 3

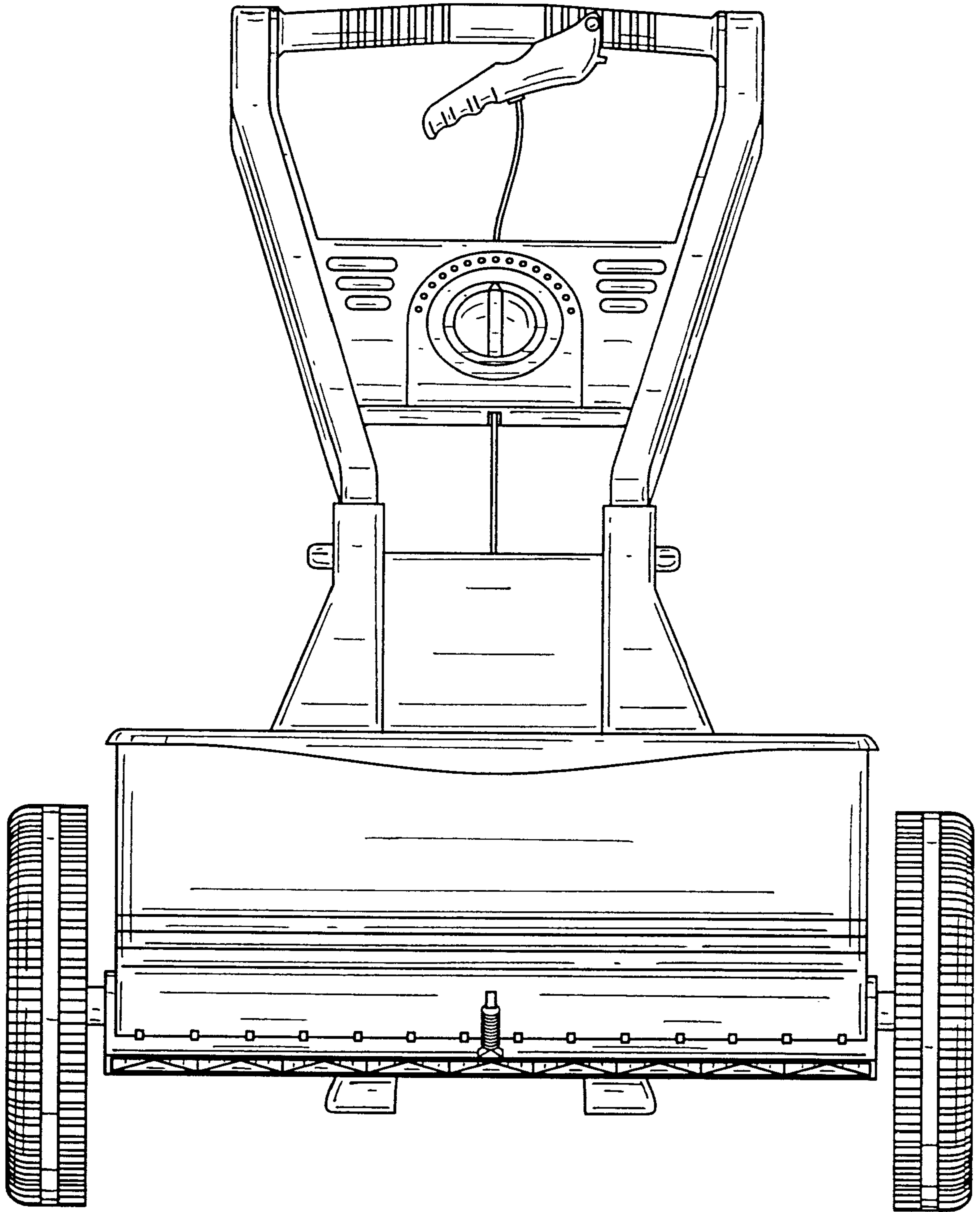


FIG. 4

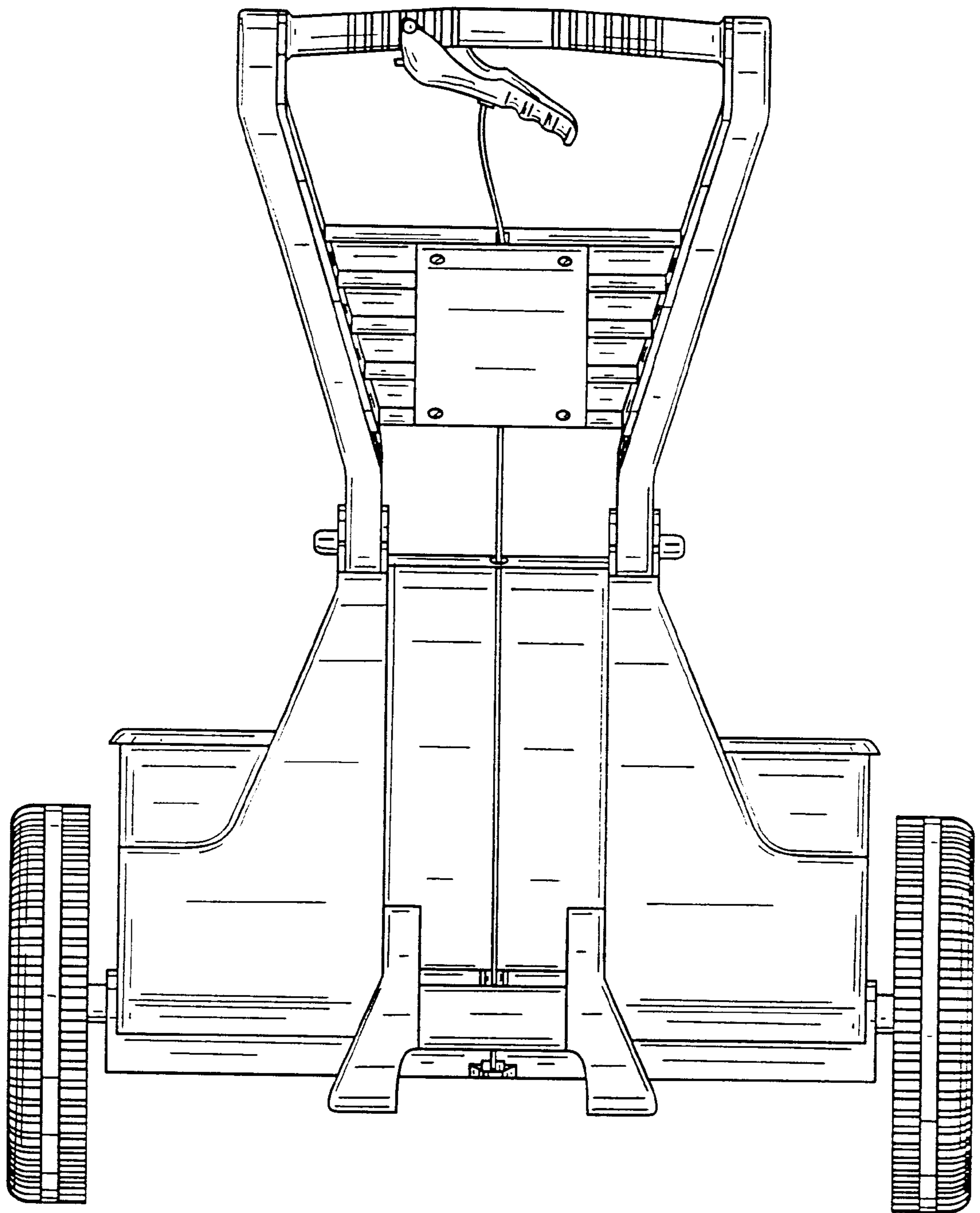


FIG. 5

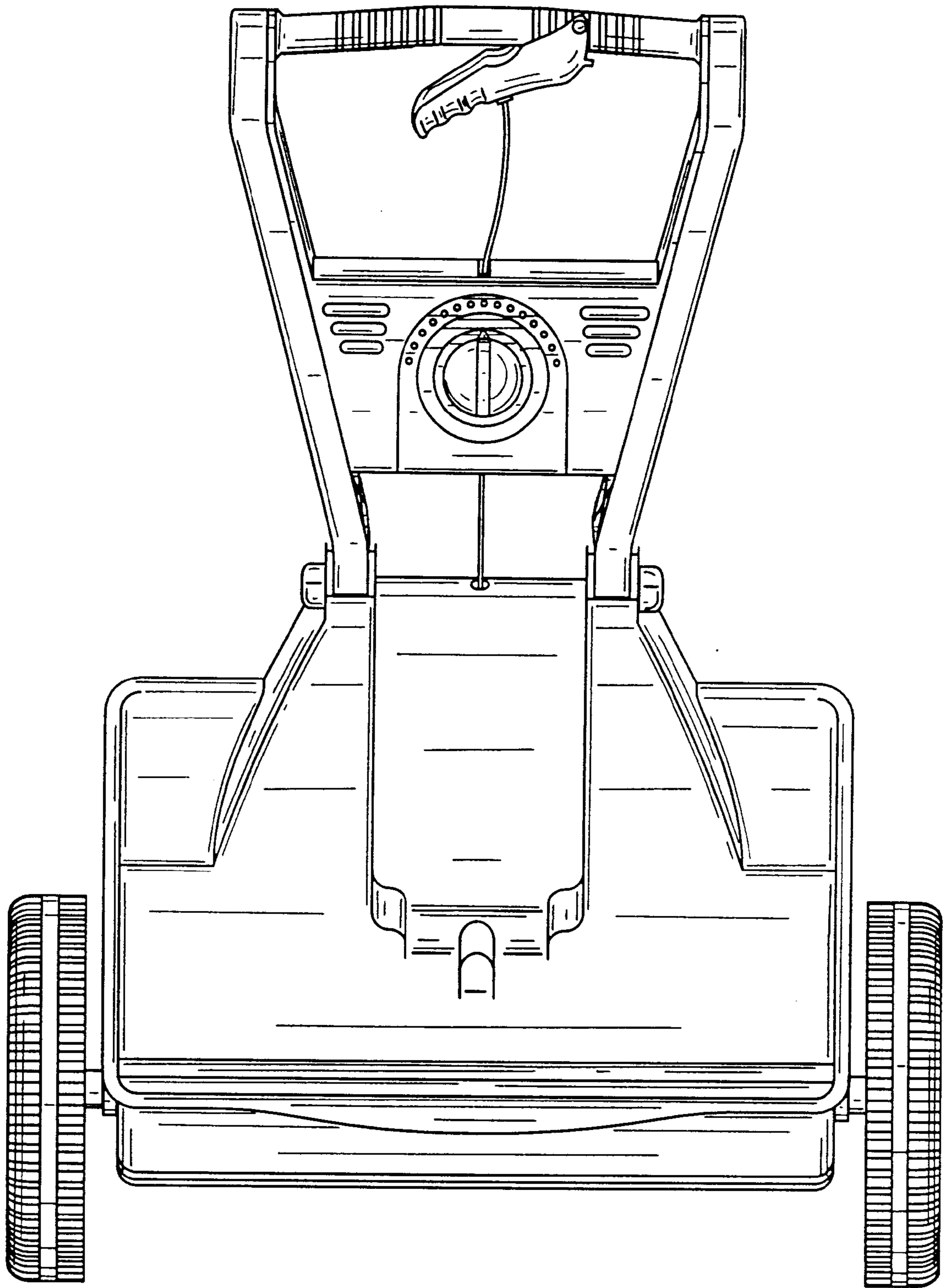


FIG. 6

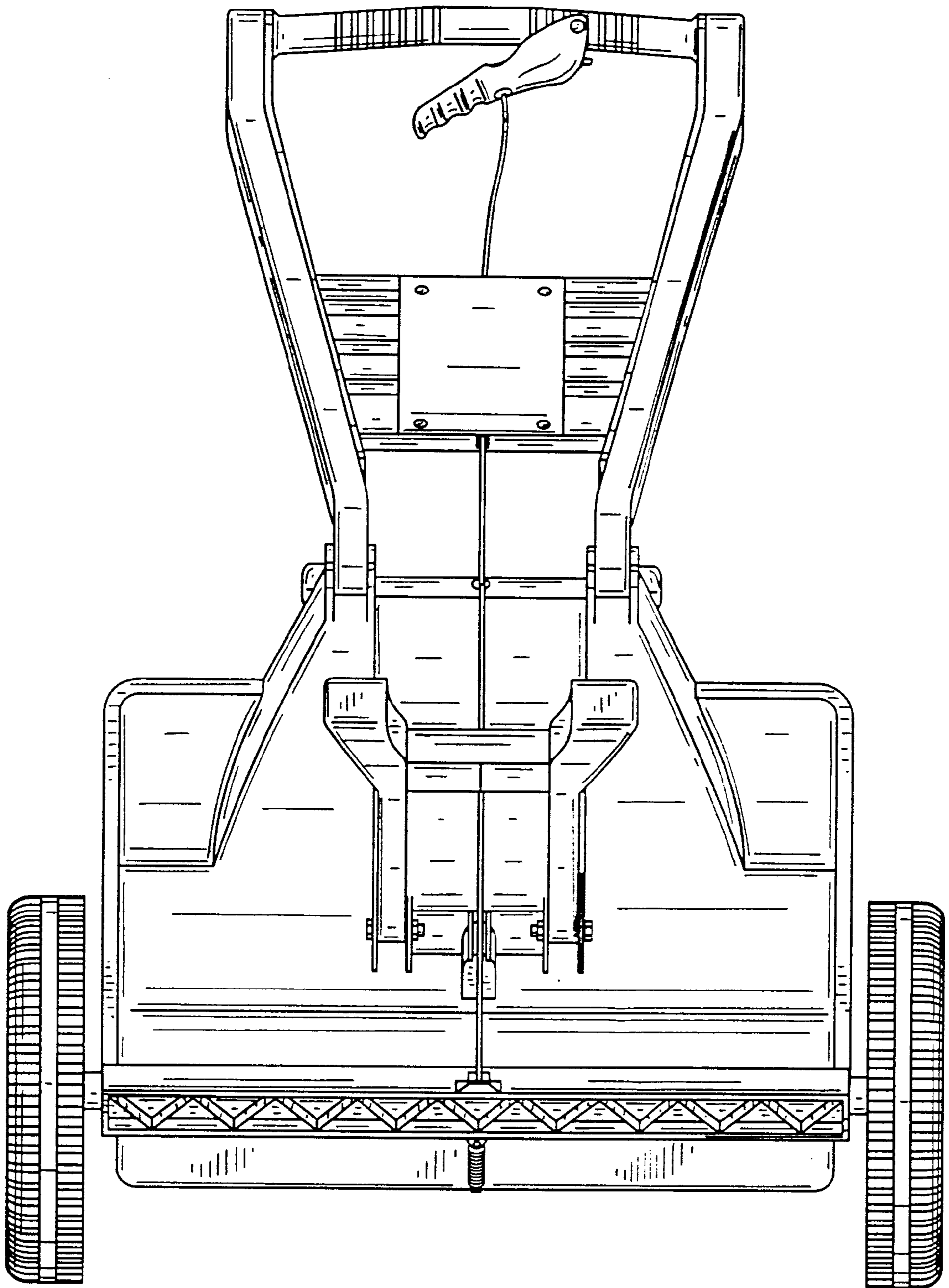


FIG. 7

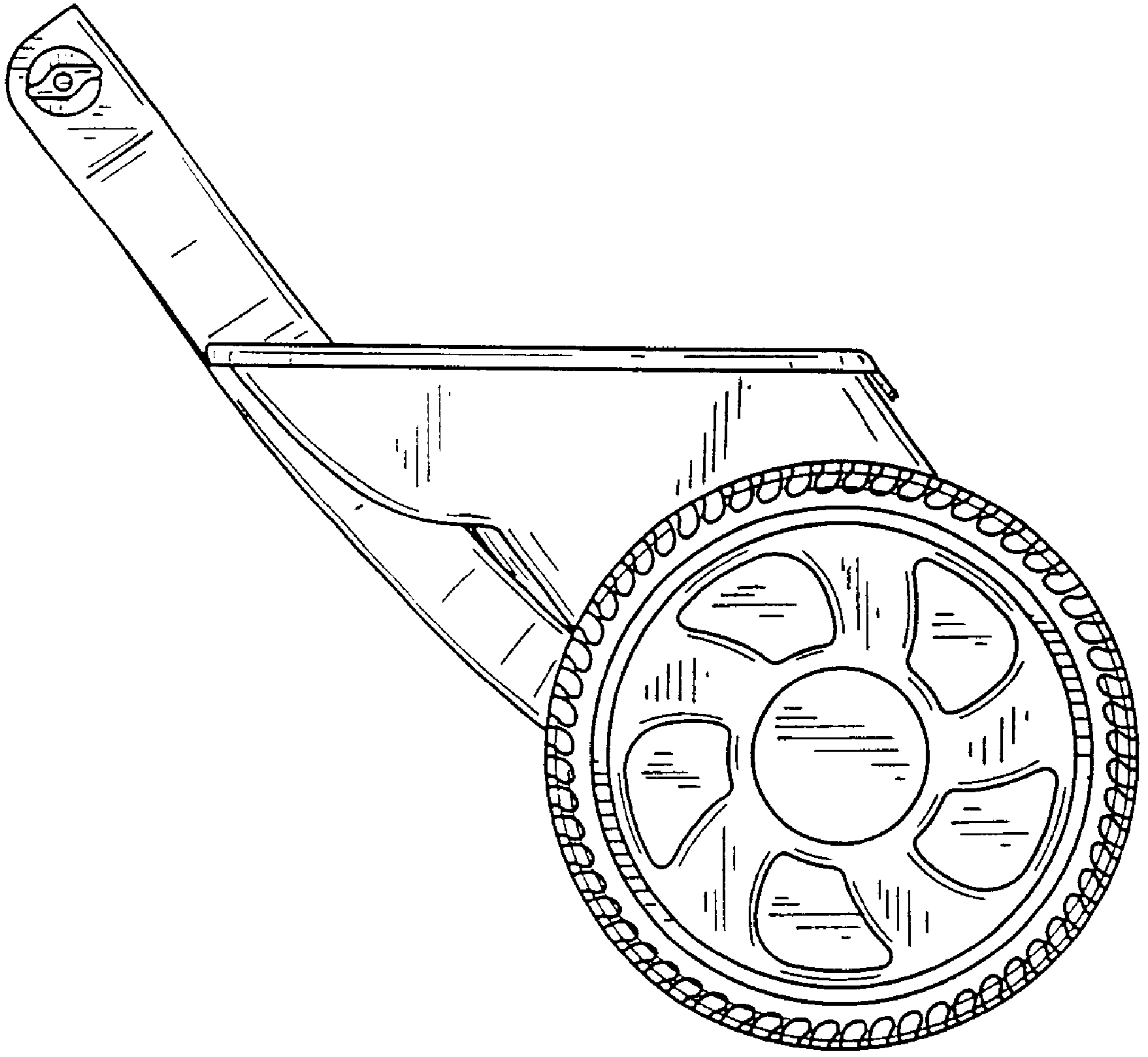


FIG. 8