



US00D413900S

United States Patent [19]

Takahashi

[11] **Patent Number: Des. 413,900**

[45] **Date of Patent: ** Sep. 14, 1999**

[54] **MAGNETIC HEAD**

5,657,300 8/1997 Takahashi 369/13
5,663,937 9/1997 Takahashi 369/13

[75] Inventor: **Tomoyuki Takahashi**, Tokyo, Japan

[73] Assignee: **Sony Corporation**, Tokyo, Japan

[**] Term: **14 Years**

Primary Examiner—Ted Shooman
Assistant Examiner—Nanda Bondade
Attorney, Agent, or Firm—Foley & Lardner

[21] Appl. No.: **29/063,130**

[22] Filed: **Nov. 27, 1996**

[57] **CLAIM**

The ornamental design for a magnetic head, as shown and described.

[51] **LOC (6) Cl.** **14-99**

[52] **U.S. Cl.** **D14/260**

[58] **Field of Search** D14/260; 360/104,
360/114; 369/13

DESCRIPTION

FIG. 1 is a perspective view of a magnetic head showing my new design;
FIG. 2 is a top plan view thereof;
FIG. 3 is a front elevational view thereof;
FIG. 4 is a right side elevational view thereof;
FIG. 5 is a left side elevational view thereof;
FIG. 6 is a rear elevational view thereof; and,
FIG. 7 is a bottom plan view thereof.

[56] **References Cited**

U.S. PATENT DOCUMENTS

5,384,757 1/1995 Ohmori et al. 369/13
5,644,554 7/1997 Harada et al. 369/13
5,648,943 7/1997 Omi et al. 369/13

1 Claim, 4 Drawing Sheets

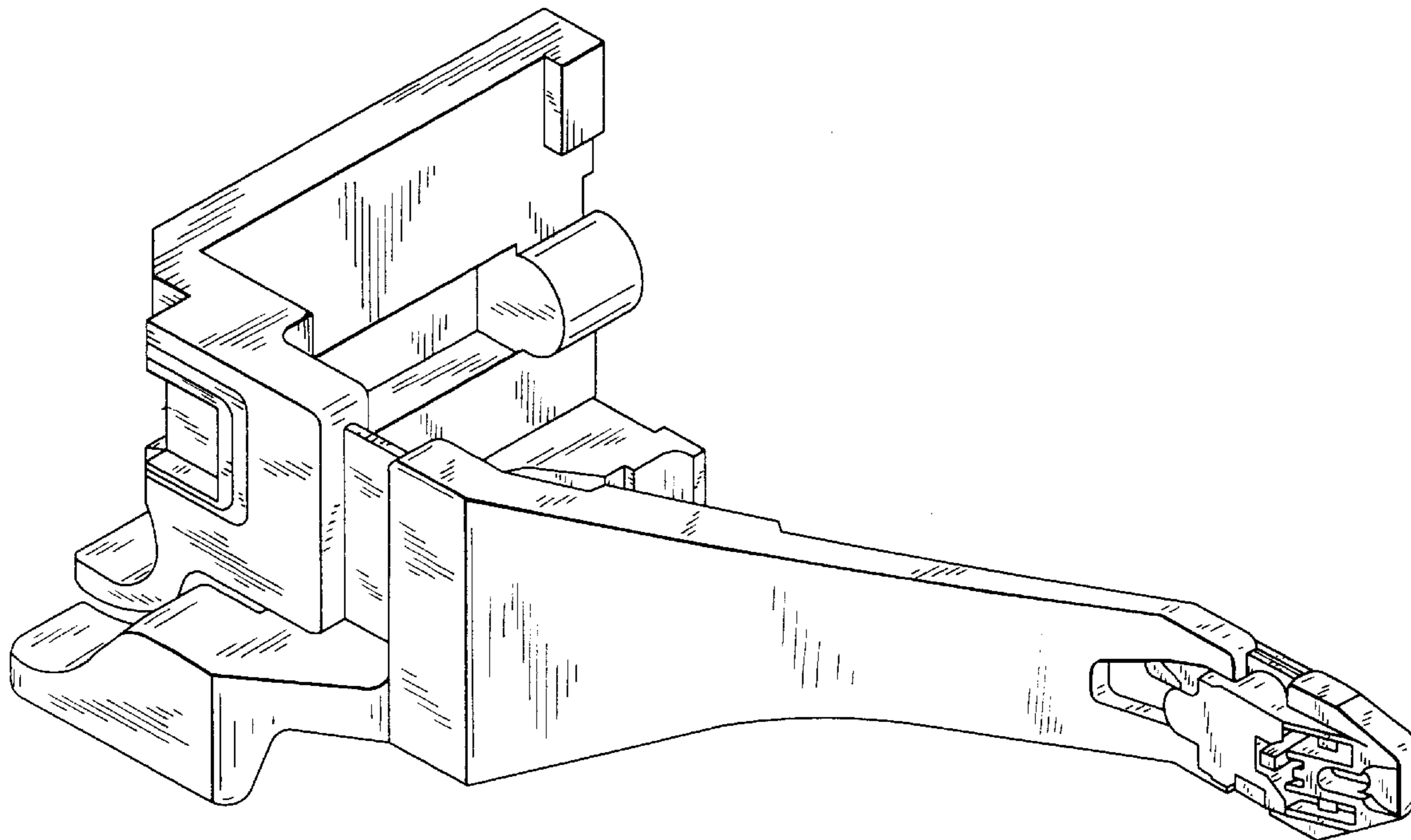


FIG. 1

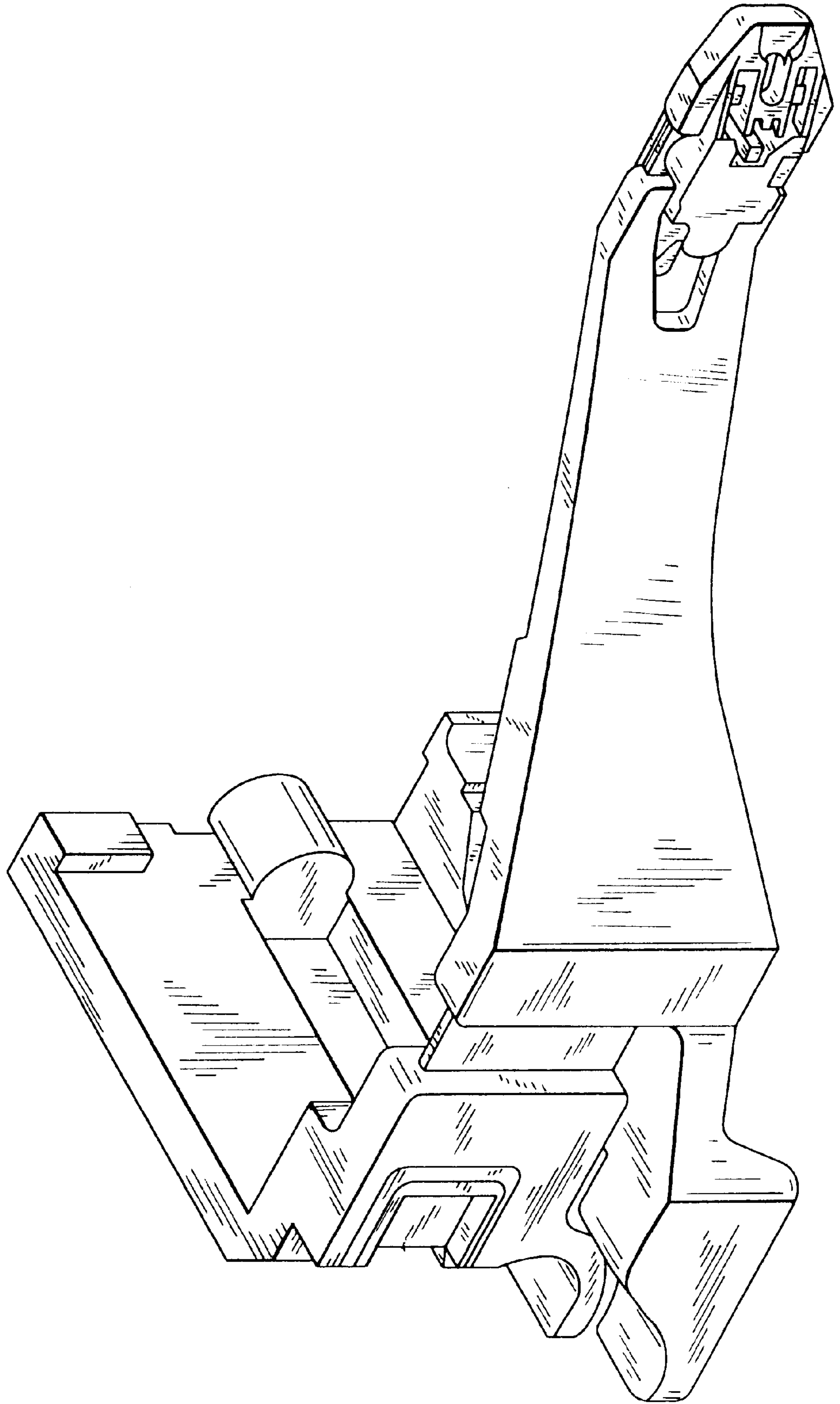


FIG. 2

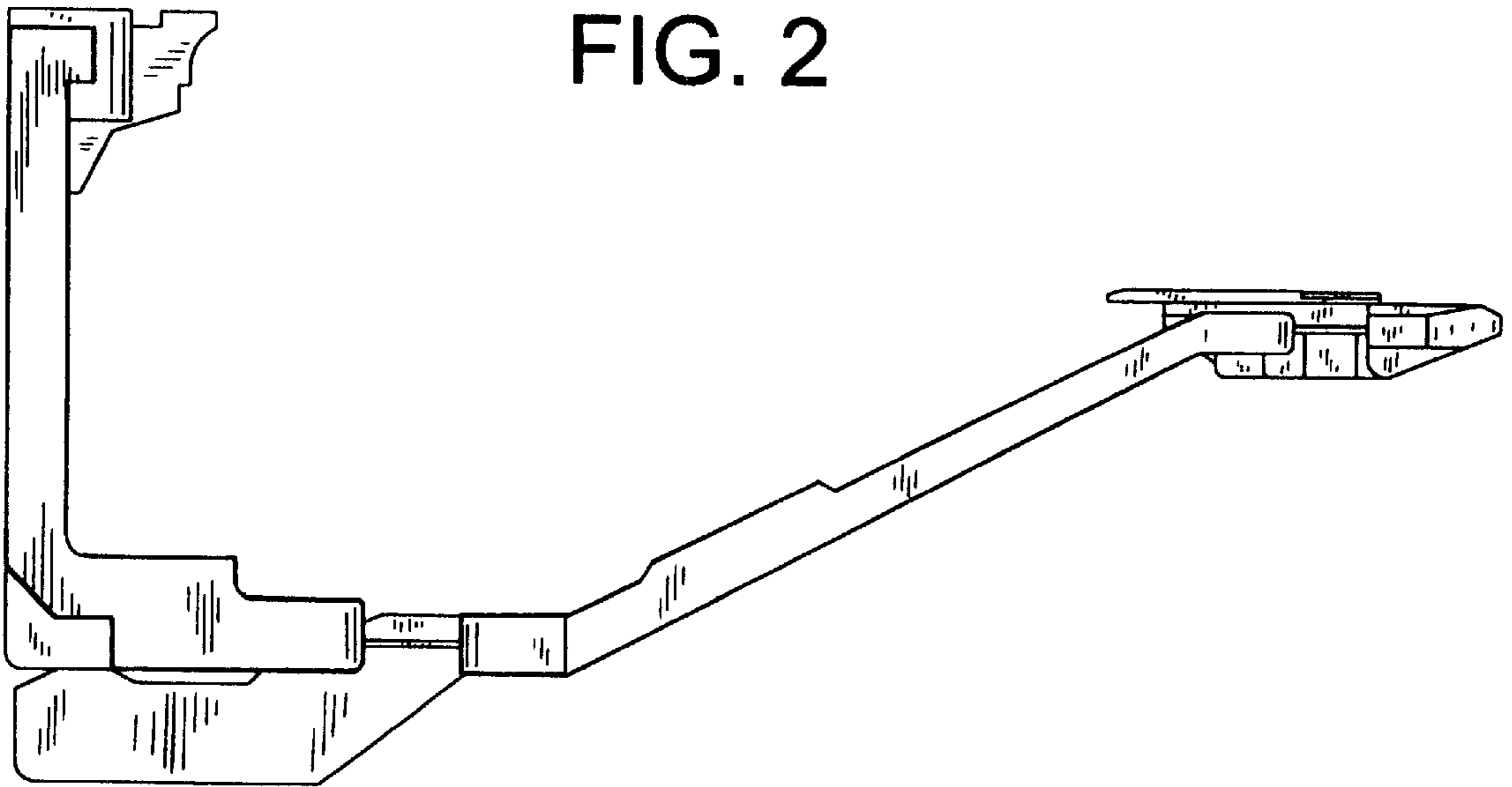


FIG. 3

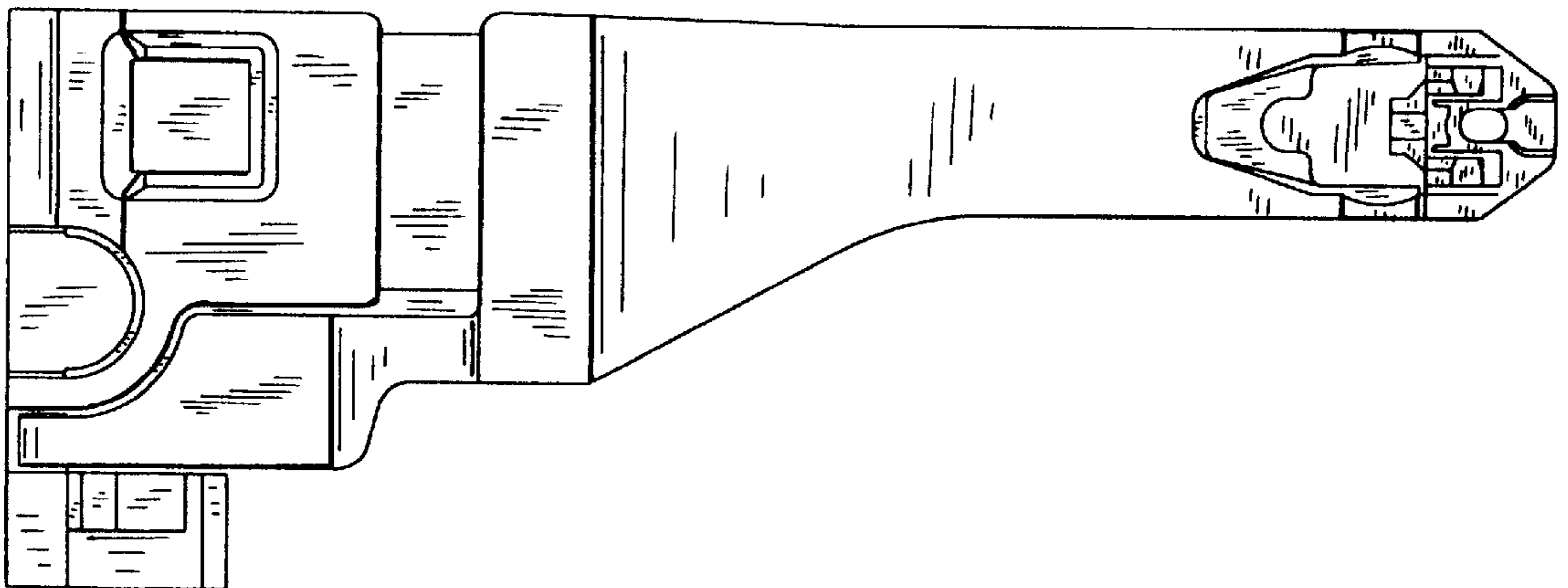


FIG. 4

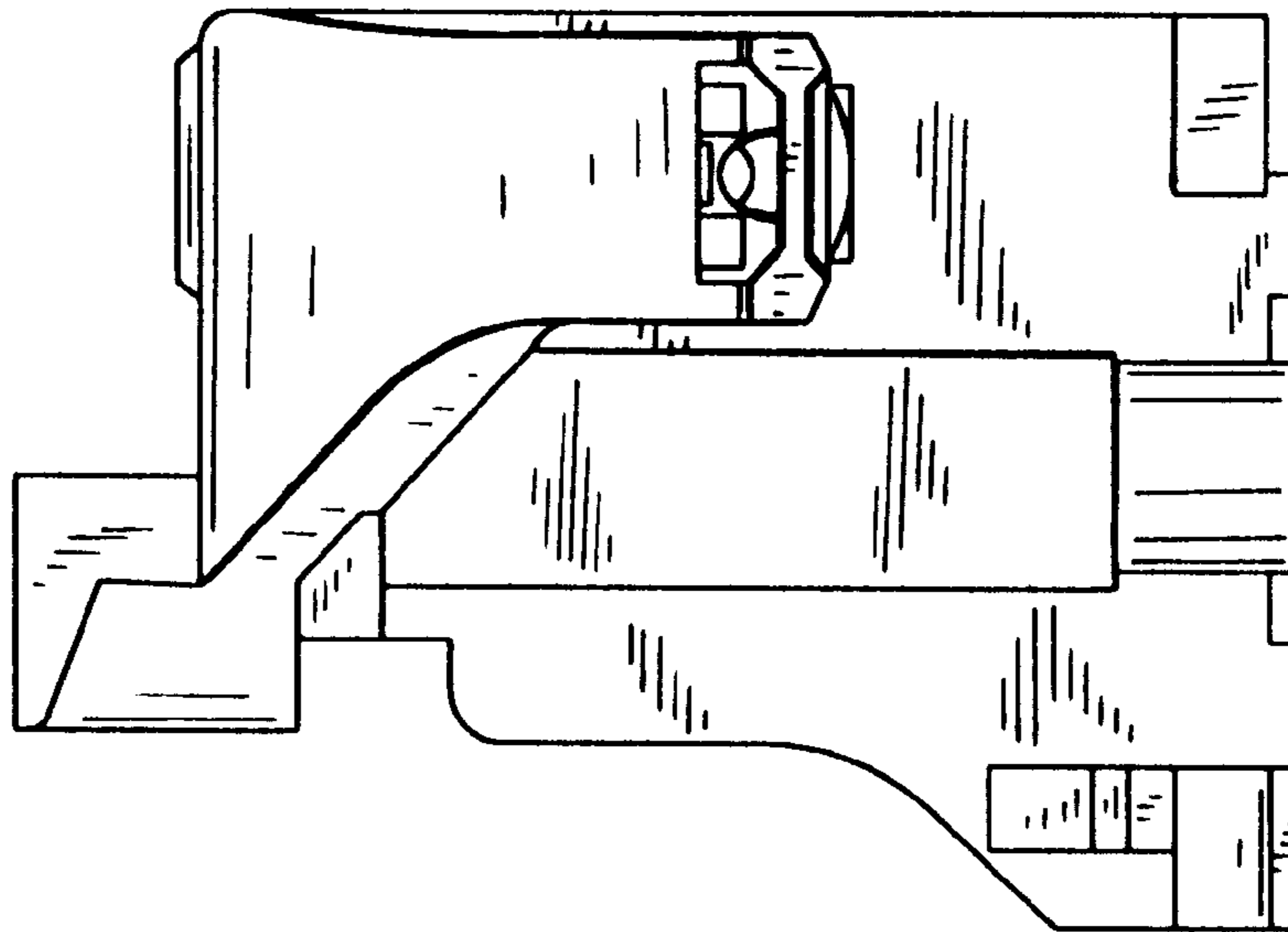


FIG. 5

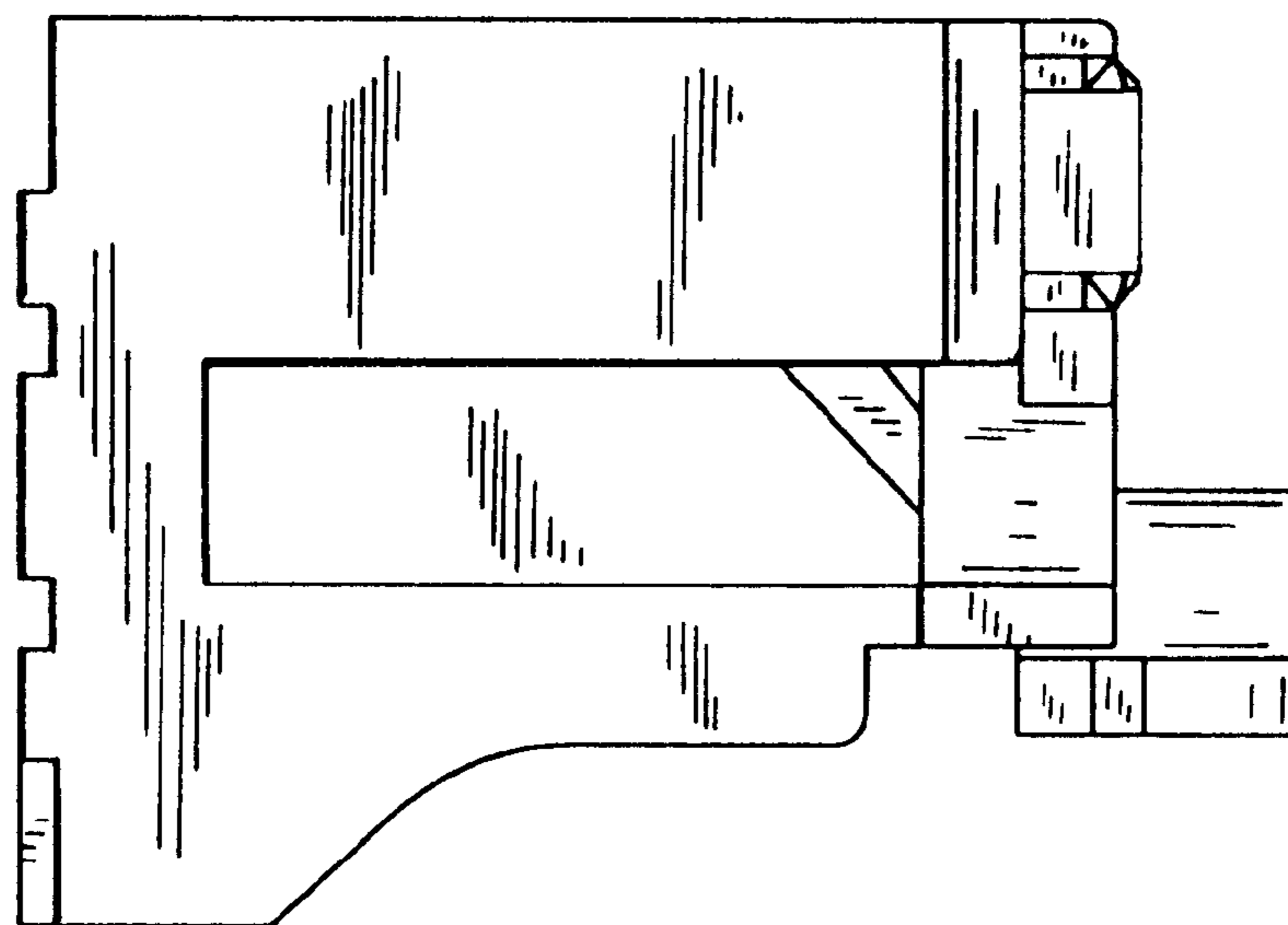


FIG. 6

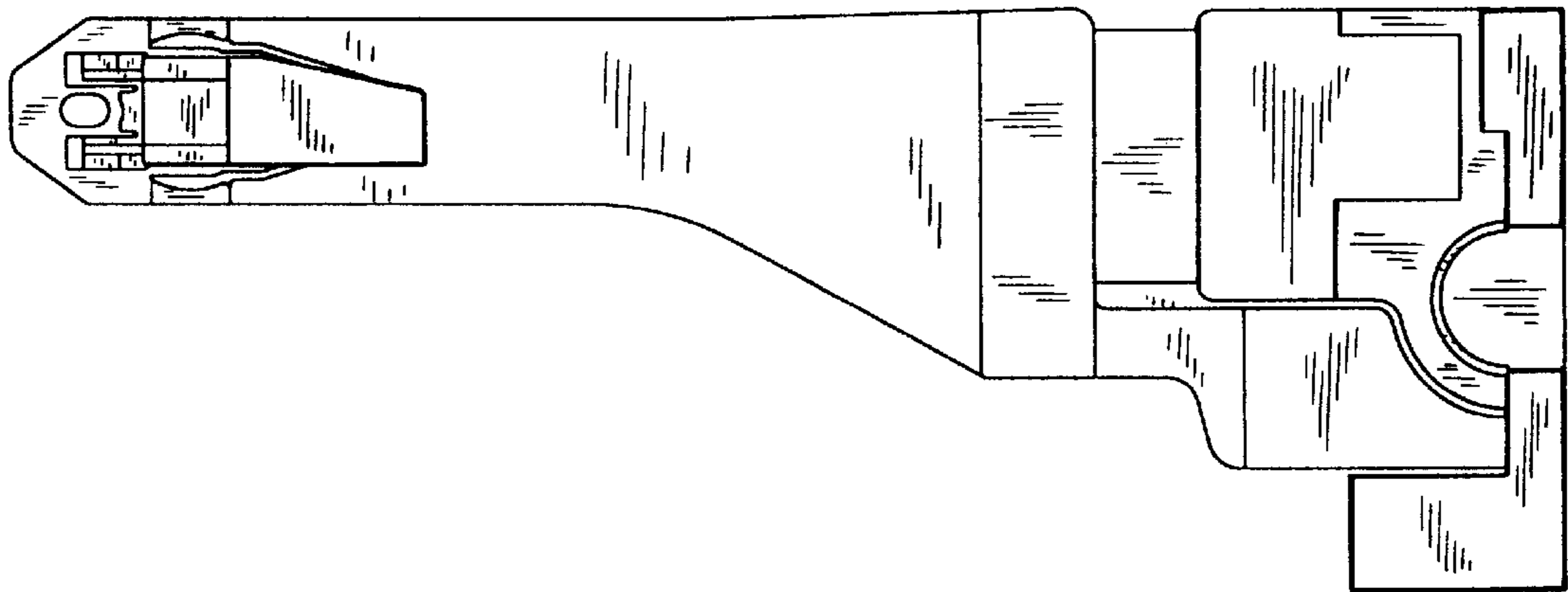


FIG. 7

