



US00D413898S

# United States Patent [19]

Lohrding et al.

[11] Patent Number: Des. 413,898

[45] Date of Patent: \*\* Sep. 14, 1999

[54] **RADIOTELEPHONE ACCESSORY CONNECTOR HOUSING**

[75] Inventors: **Bradley K. Lohrding**, Gurnee, Ill.;  
**Michael Naughton**, Burlington, Wis.

[73] Assignee: **Motorola, Inc.**, Schaumburg, Ill.

[\*\*] Term: **14 Years**

[21] Appl. No.: **29/088,210**

[22] Filed: **May 18, 1998**

[51] **LOC (6) Cl.** ..... **14-03**

[52] **U.S. Cl.** ..... **D14/256; D13/147; D13/154**

[58] **Field of Search** ..... **D13/146, 147;**  
**D14/107, 240, 256; 439/620; 314/441,**  
**442, 443, 445; 455/557**

[56] **References Cited**

**U.S. PATENT DOCUMENTS**

D. 353,577	12/1994	Shoda et al. ....	D13/147
D. 357,898	5/1995	Richards et al. ....	D13/133
D. 363,918	11/1995	Buongervino et al. ....	D13/147

*Primary Examiner*—Joel Sincavage  
*Attorney, Agent, or Firm*—John J. Oskorep; Rolland R. Hackbart

[57] **CLAIM**

The ornamental design for a radiotelephone accessory connector housing, as shown and described.

**DESCRIPTION**

FIG. 1 is a front, top, and left side perspective view showing our new design for a radiotelephone accessory connector housing;

FIG. 2 is a front elevational view thereof;

FIG. 3 is a right side elevational view thereof;

FIG. 4 is a bottom plan view thereof;

FIG. 5 is a top plan view thereof;

FIG. 6 is a rear elevational view thereof; and

FIG. 7 is a left side elevational view thereof.

FIG. 8 is a front, top, and left side perspective view showing an alternate embodiment of our new design for a radiotelephone accessory connector housing;

FIG. 9 is a front elevational view thereof;

FIG. 10 is a right side elevational view thereof;

FIG. 11 is a bottom plan view thereof;

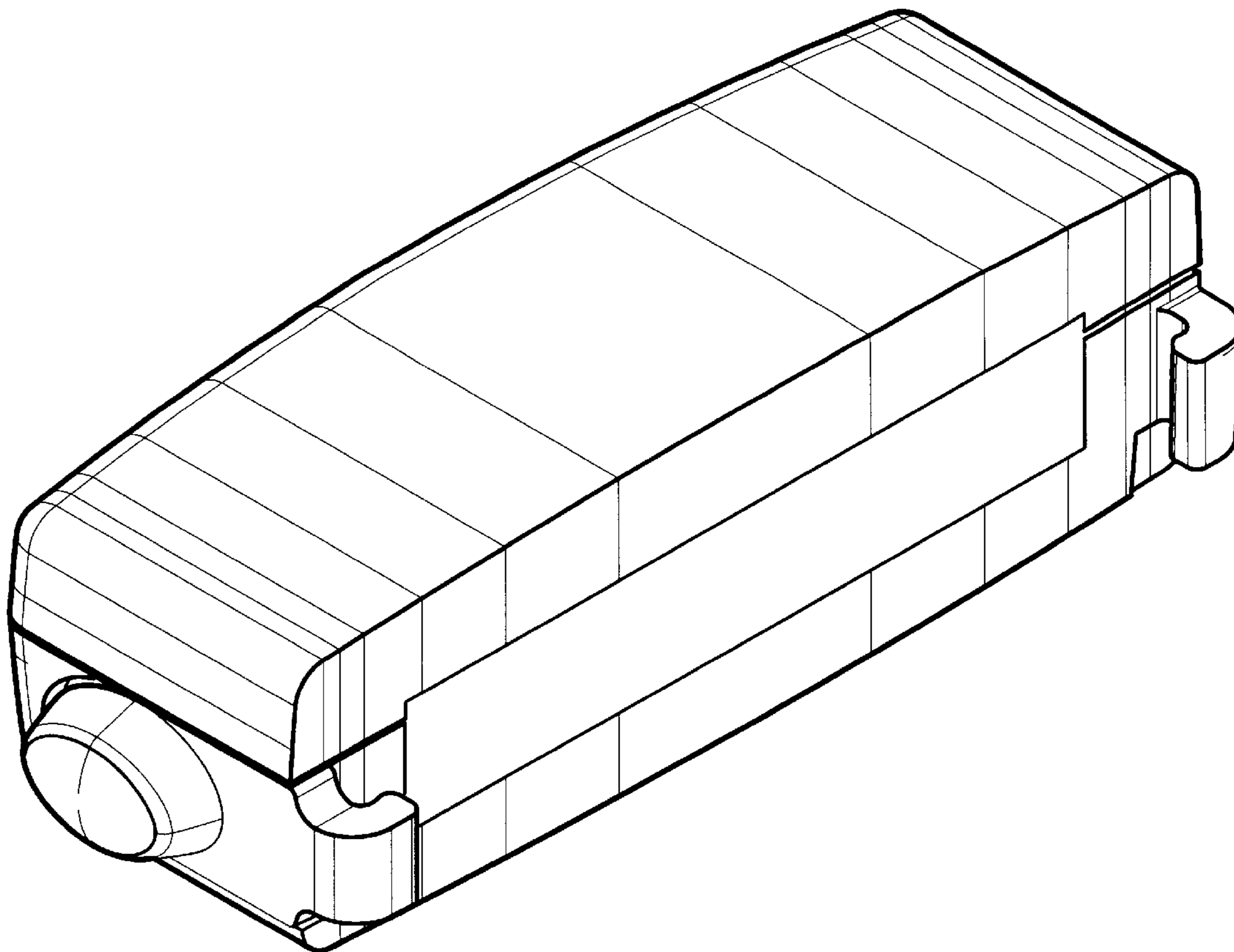
FIG. 12 is a top plan view thereof;

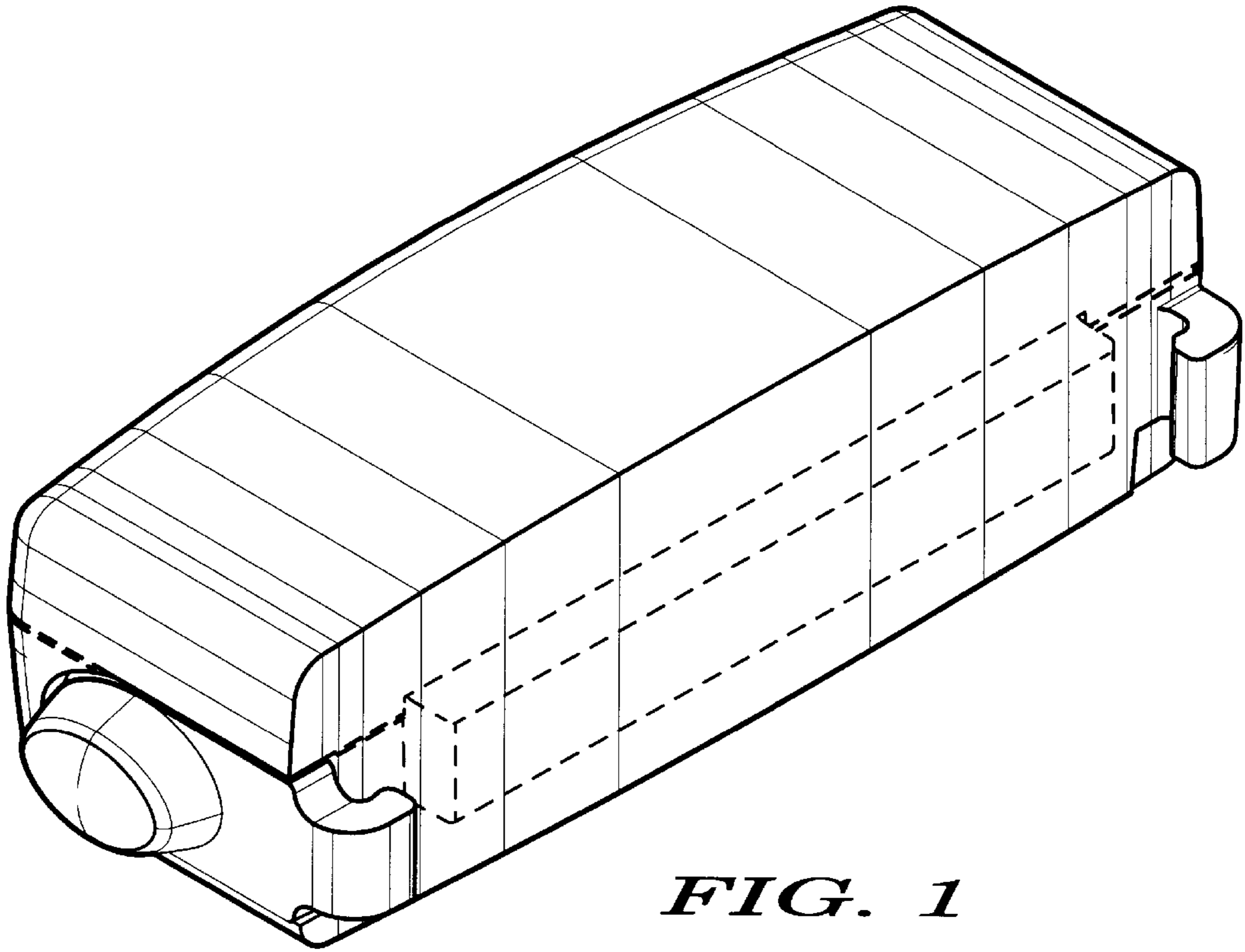
FIG. 13 is a rear elevational view thereof; and,

FIG. 14 is a left side elevational view thereof.

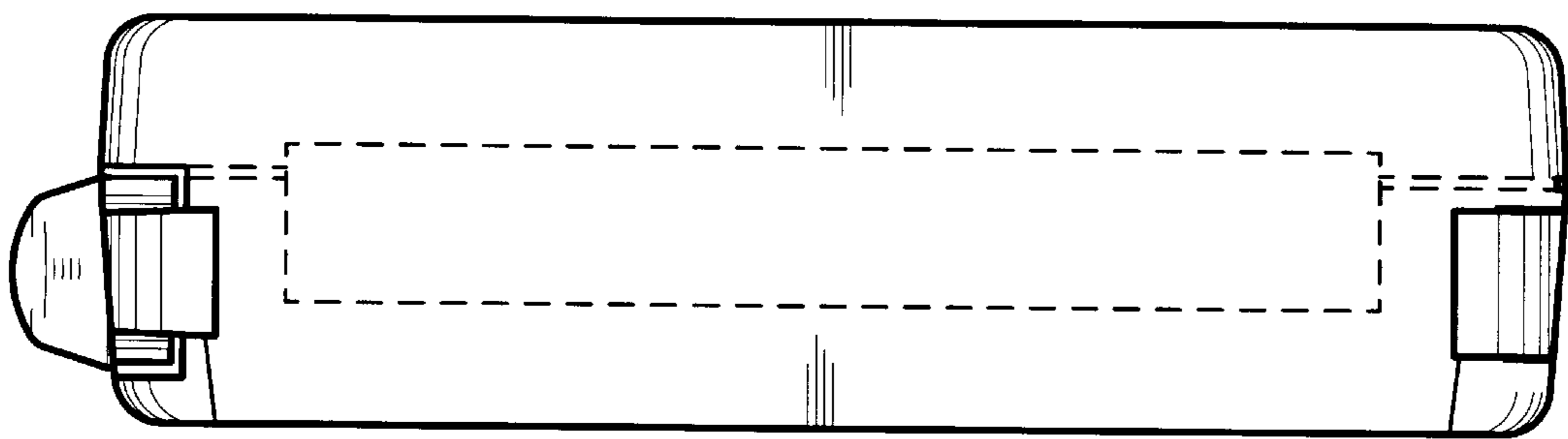
The broken line matter in the drawings is for illustrative purposes only and forms no part of the embodiment of FIGS. 1-7.

**1 Claim, 4 Drawing Sheets**

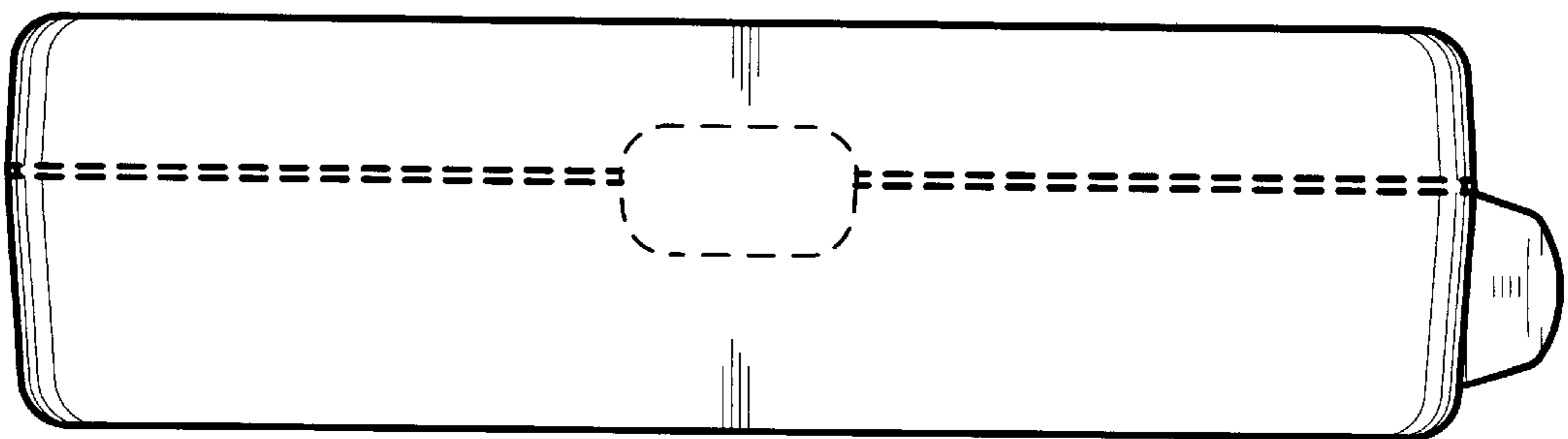




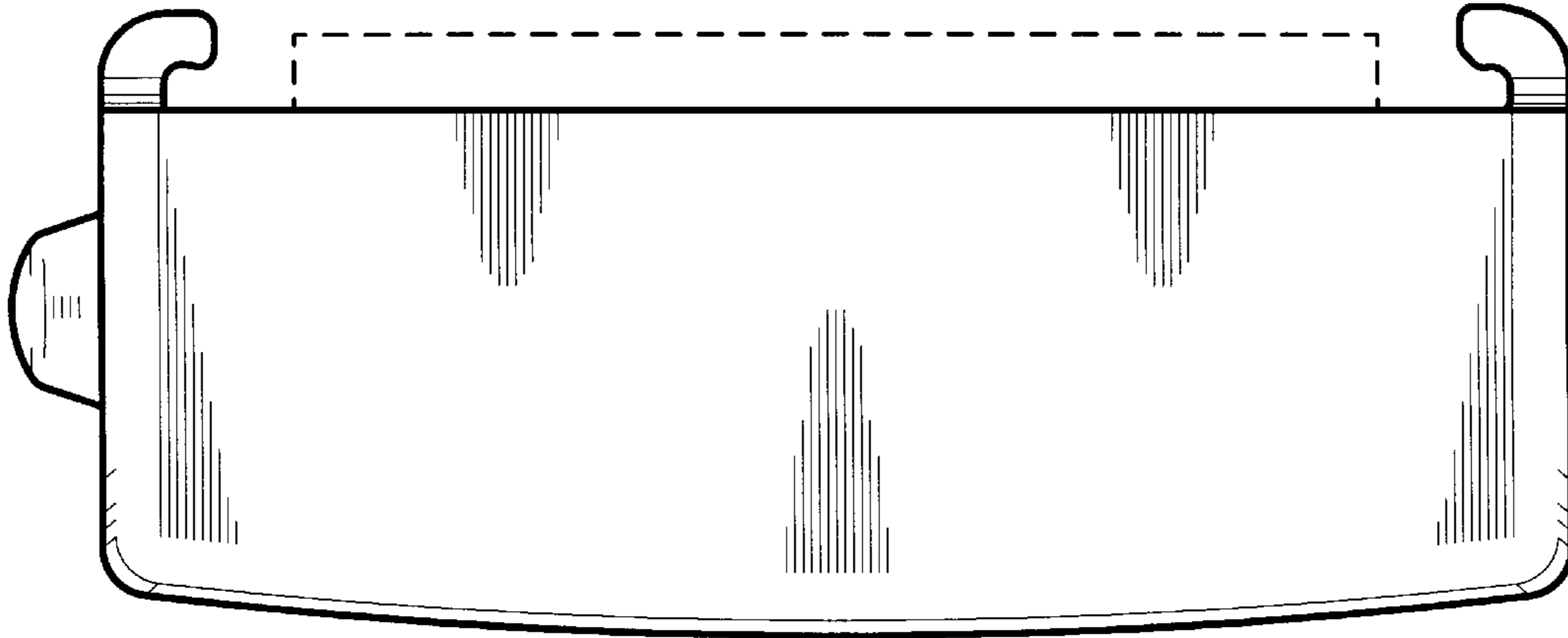
*FIG. 1*



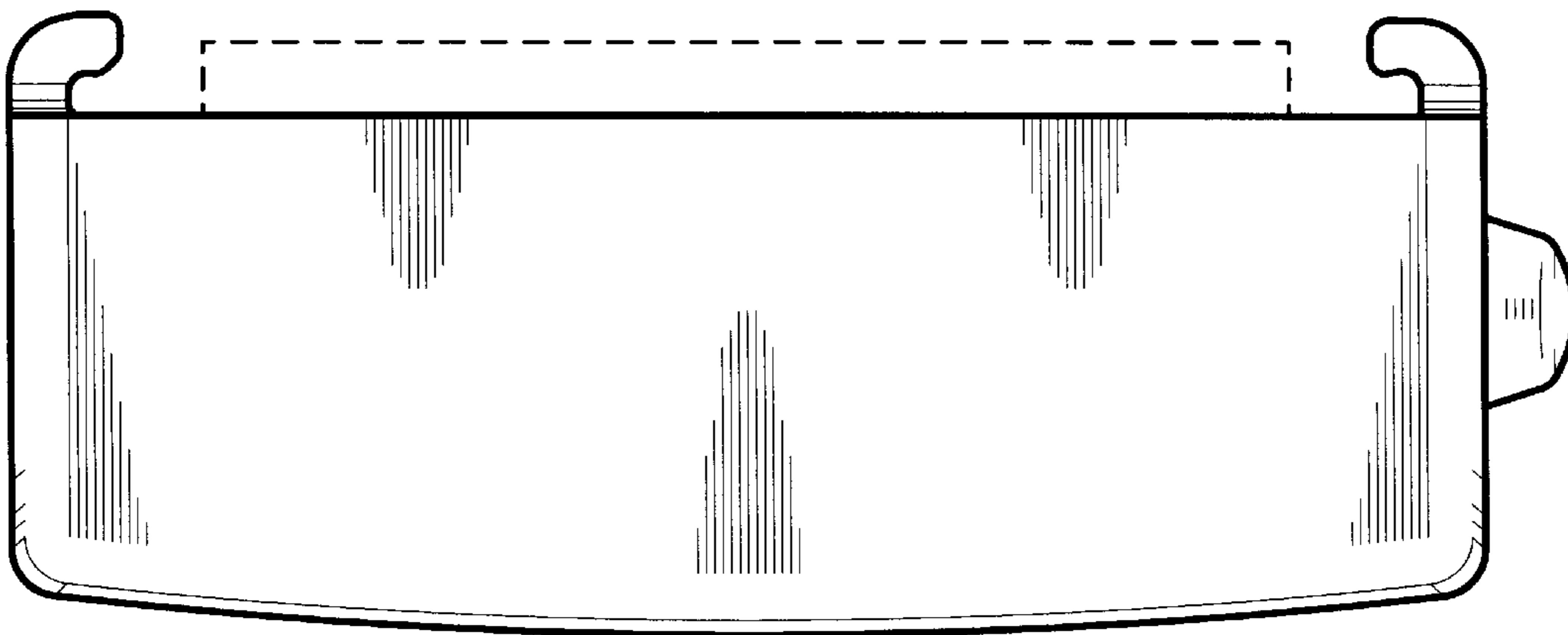
*FIG. 2*



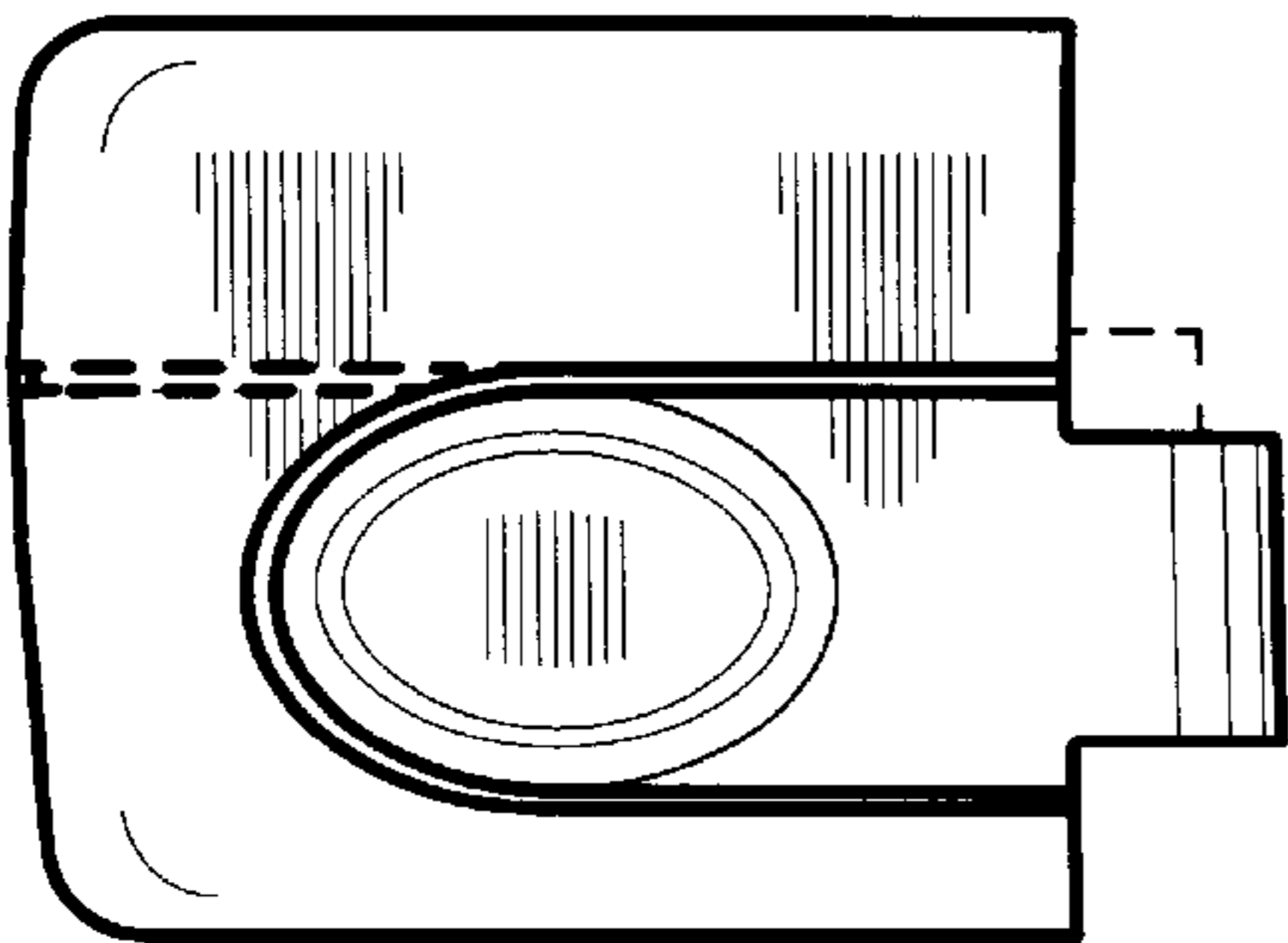
*FIG. 6*



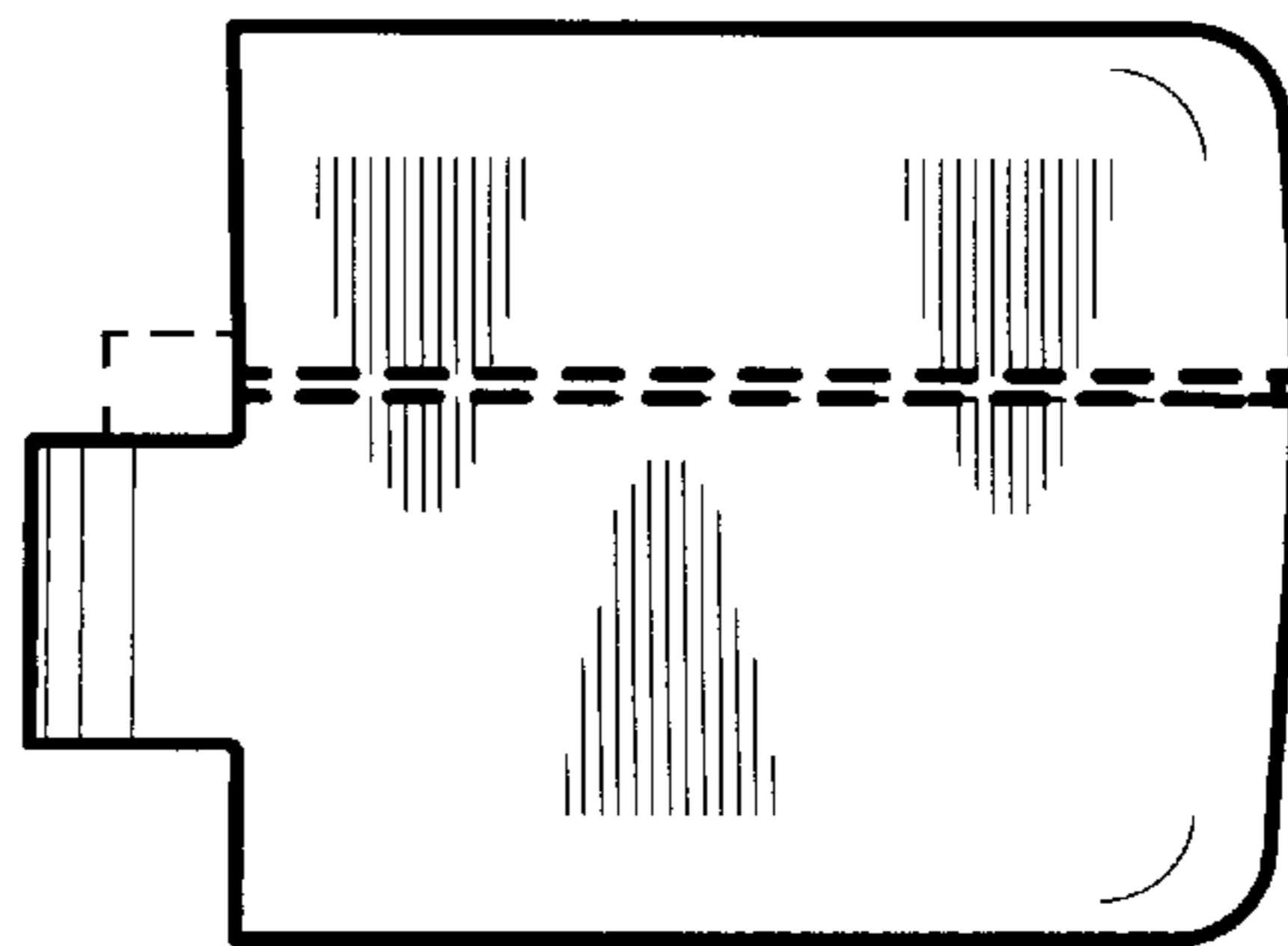
*FIG. 4*



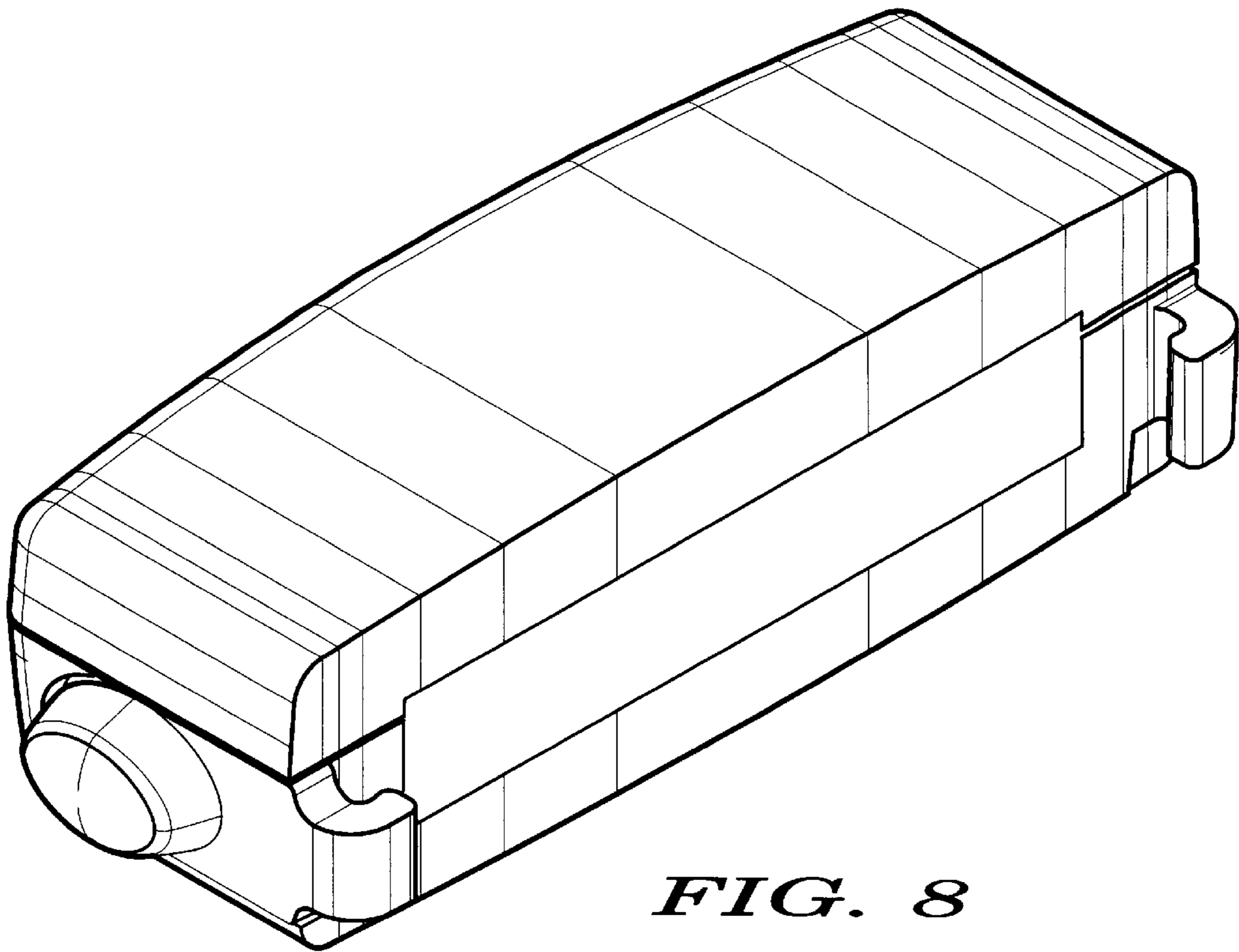
*FIG. 5*



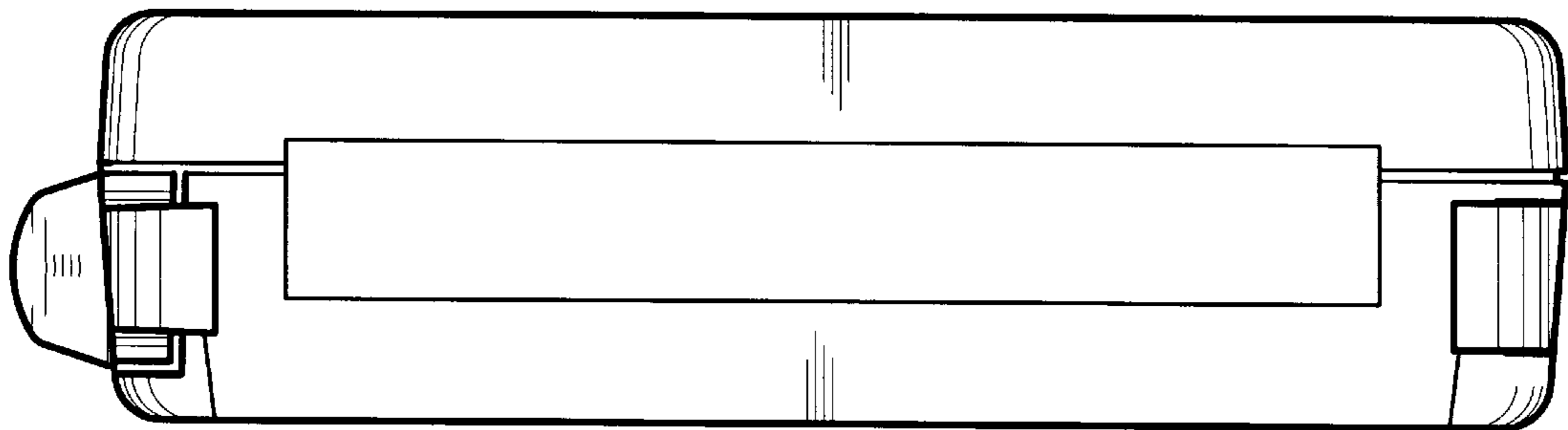
*FIG. 7*



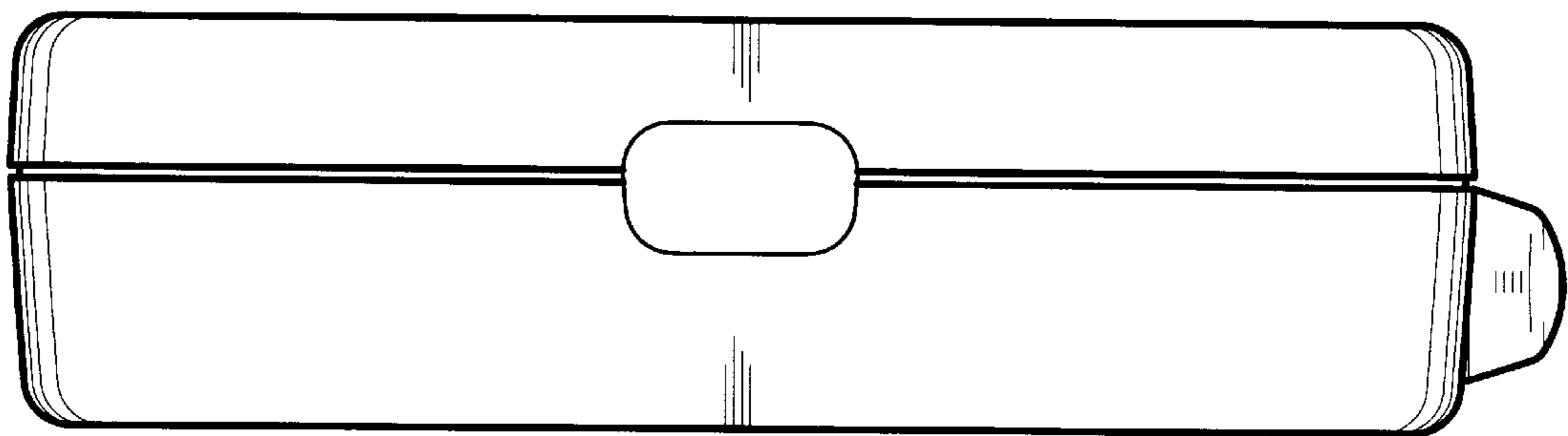
*FIG. 3*



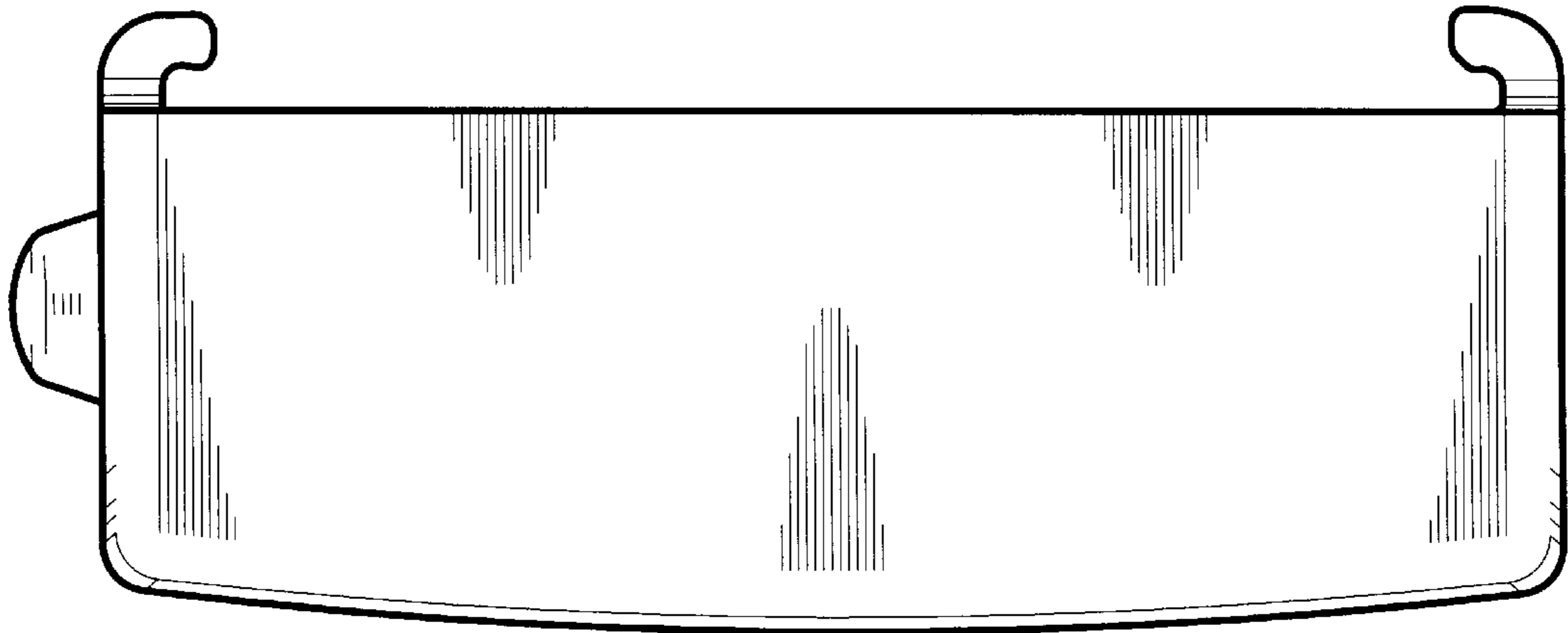
*FIG. 8*



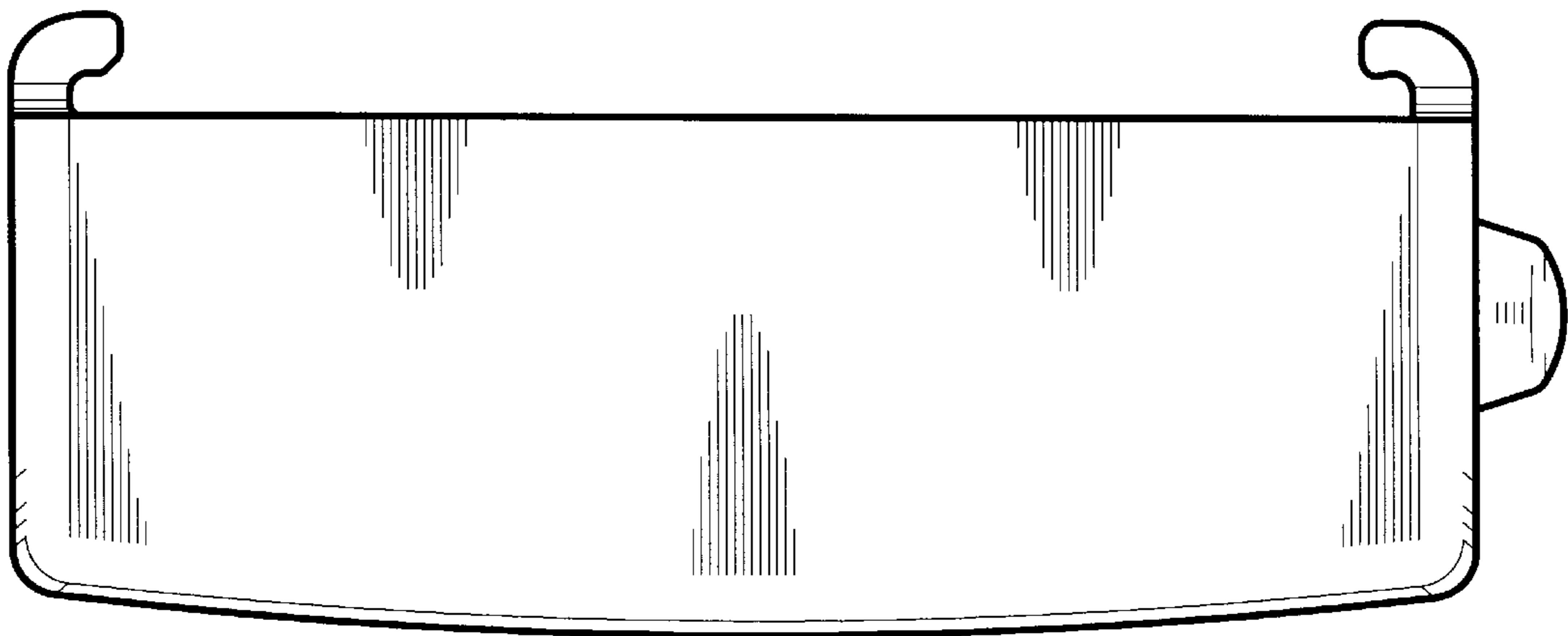
*FIG. 9*



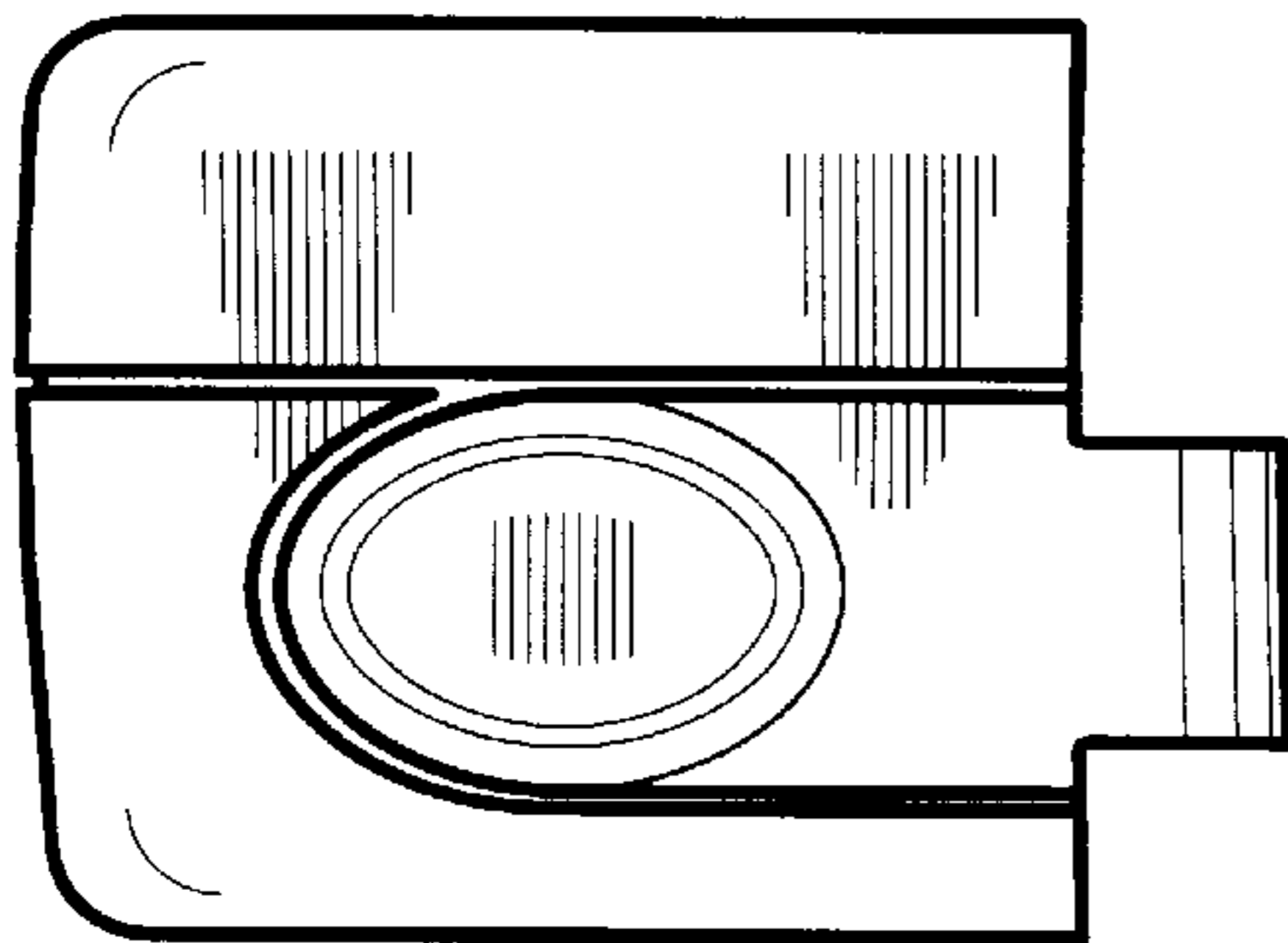
*FIG. 13*



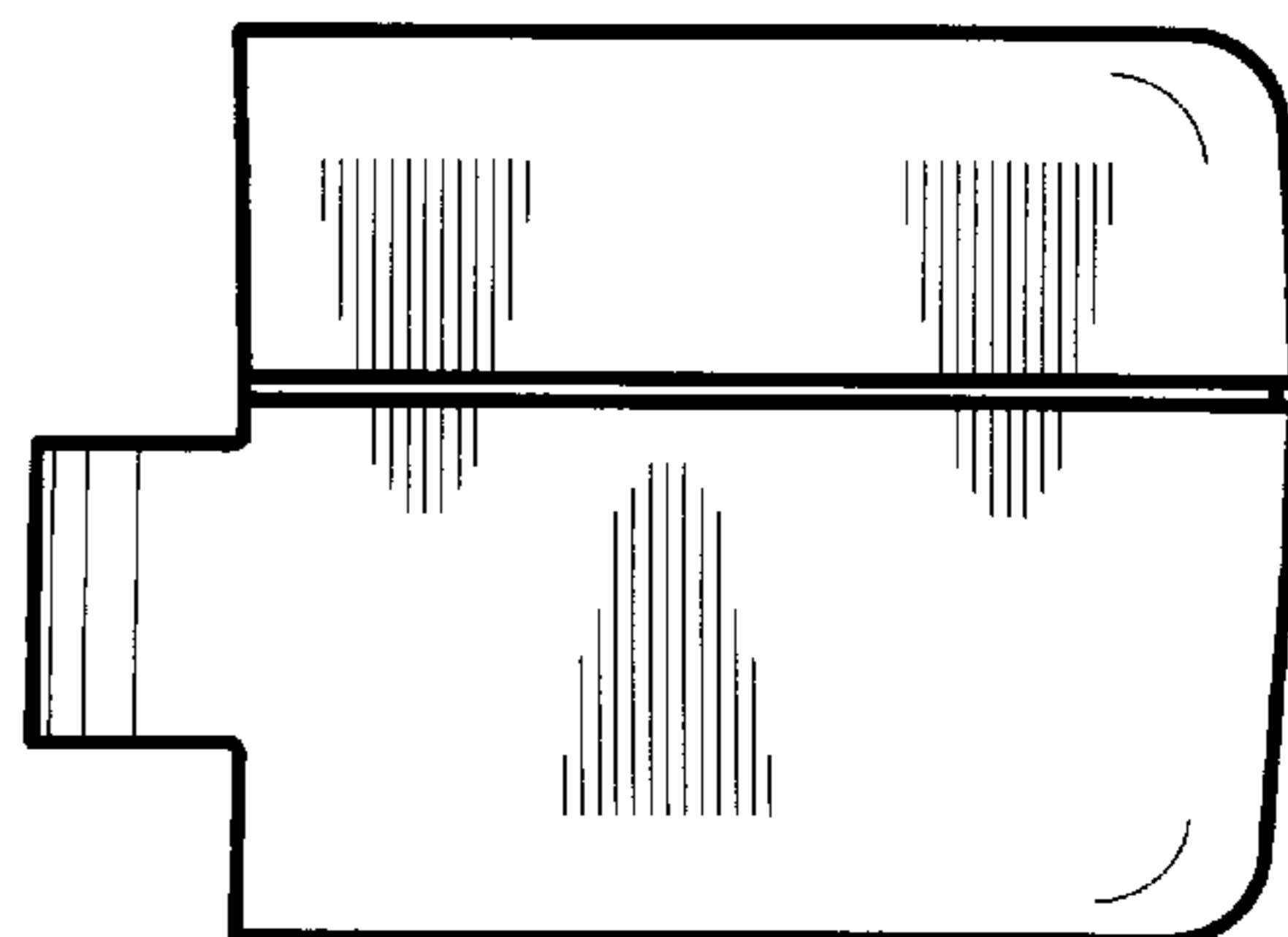
*FIG. 11*



*FIG. 12*



*FIG. 14*



*FIG. 10*