



US00D413885S

# United States Patent [19] Irimajiri et al.

[11] **Patent Number: Des. 413,885**  
[45] **Date of Patent: \*\* Sep. 14, 1999**

## [54] **COMBINED WIRELESS TELEPHONE AND KEYBOARD**

[75] Inventors: **Mayu Irimajiri; Aya Furumura; Yoshiaki Kumagai**, all of Tokyo, Japan

[73] Assignee: **Sony Corporation**, Tokyo, Japan

[\*\*] Term: **14 Years**

[21] Appl. No.: **29/079,158**

[22] Filed: **Nov. 17, 1997**

### [30] **Foreign Application Priority Data**

May 21, 1997 [JP] Japan ..... 9-55014

[51] **LOC (6) Cl.** ..... **14-02**

[52] **U.S. Cl.** ..... **D14/144; D14/100**

[58] **Field of Search** ..... D14/137, 106, D14/138, 107, 147-148, 247-248, 250, 240, 140-142, 100, 115, 144; 379/433, 434, 419, 420, 428, 440, 110.01, 112; 455/550-575, 90; 364/705.05

### [56] **References Cited**

#### U.S. PATENT DOCUMENTS

D. 354,072	1/1995	Yatabe	.....	D18/2
D. 361,754	8/1995	Jambekar et al.	.....	D14/100
D. 362,865	10/1995	Komuta et al.	.....	D18/2
D. 371,775	7/1996	Steiner et al.	.....	D14/115
D. 377,341	1/1997	Imai et al.	.....	D14/100
D. 387,343	12/1997	Huang	.....	D14/115
D. 389,838	1/1998	Brunner et al.	.....	D14/218
D. 390,541	2/1998	Chiba	.....	D14/100
D. 392,968	3/1998	Johansson	.....	D14/144
D. 401,914	12/1998	Kamegi	.....	D14/100
5,189,632	2/1993	Paaanen et al.	.....	455/556 X
5,526,411	6/1996	Krieter	.....	379/433
5,719,936	2/1998	Hillenmayer	.....	379/447

### FOREIGN PATENT DOCUMENTS

3-104432 5/1991 Japan .

### OTHER PUBLICATIONS

Mobile Computing and Communications, The Nokia 9000 Communicator at center of page, May 1997.

Mobile Computing and Communications, The Novatel Wireless ad at bottom of page, Nov. 1997.

Japanese advertisement showing Casio PA-2100, Jun. 1997.

*Primary Examiner*—Jeffrey Asch

*Attorney, Agent, or Firm*—Foley & Lardner

### [57] **CLAIM**

The ornamental design for a combined wireless telephone and keyboard, as shown and described.

### **DESCRIPTION**

FIG. 1 is a perspective view of a first embodiment of a combined wireless telephone and keyboard showing our new design;

FIG. 2 is a top plan view thereof;

FIG. 3 is a left side elevational view thereof, a right side elevational view thereof being a mirror image;

FIG. 4 is a front elevational view thereof;

FIG. 5 is a bottom plan view thereof;

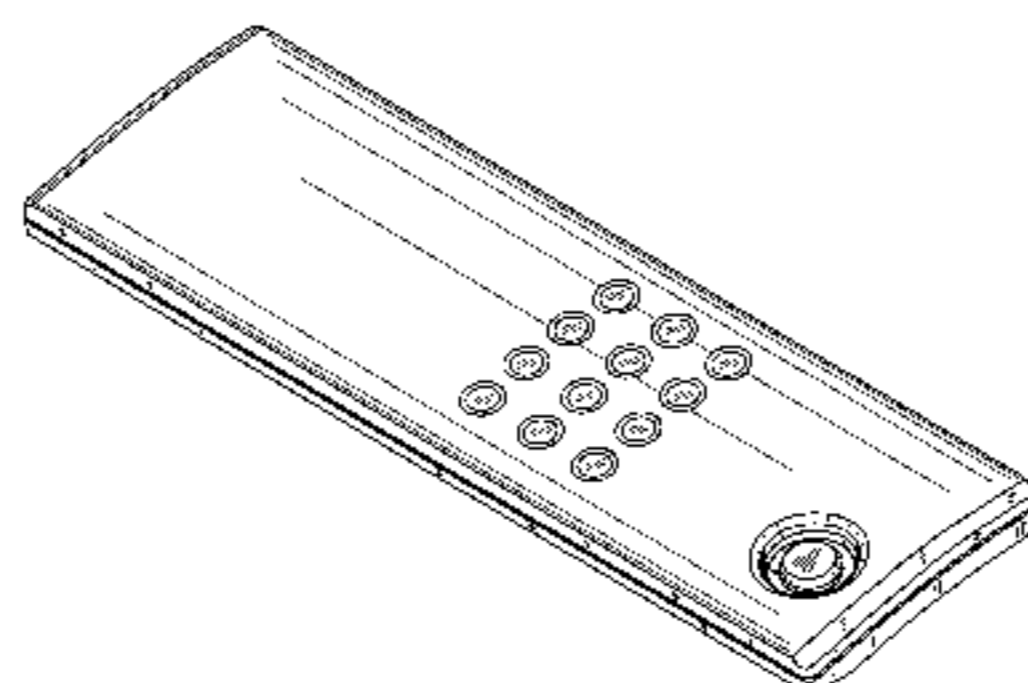
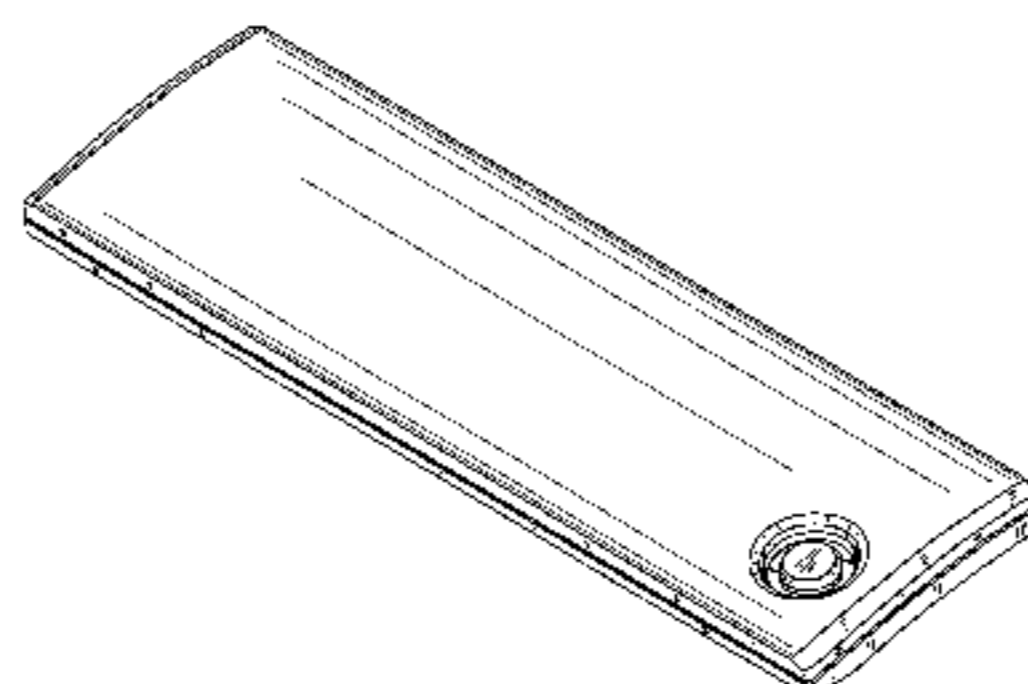
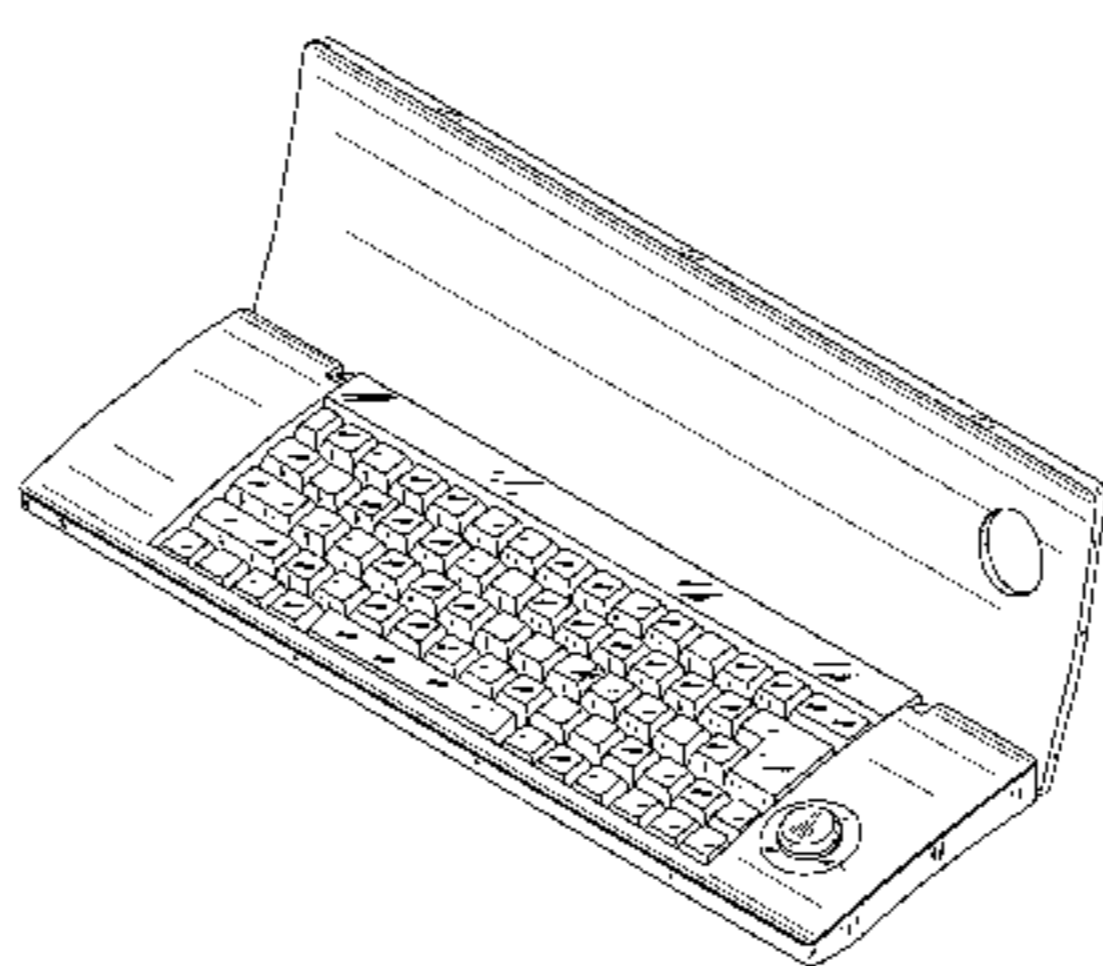
FIG. 6 is a rear elevational view thereof;

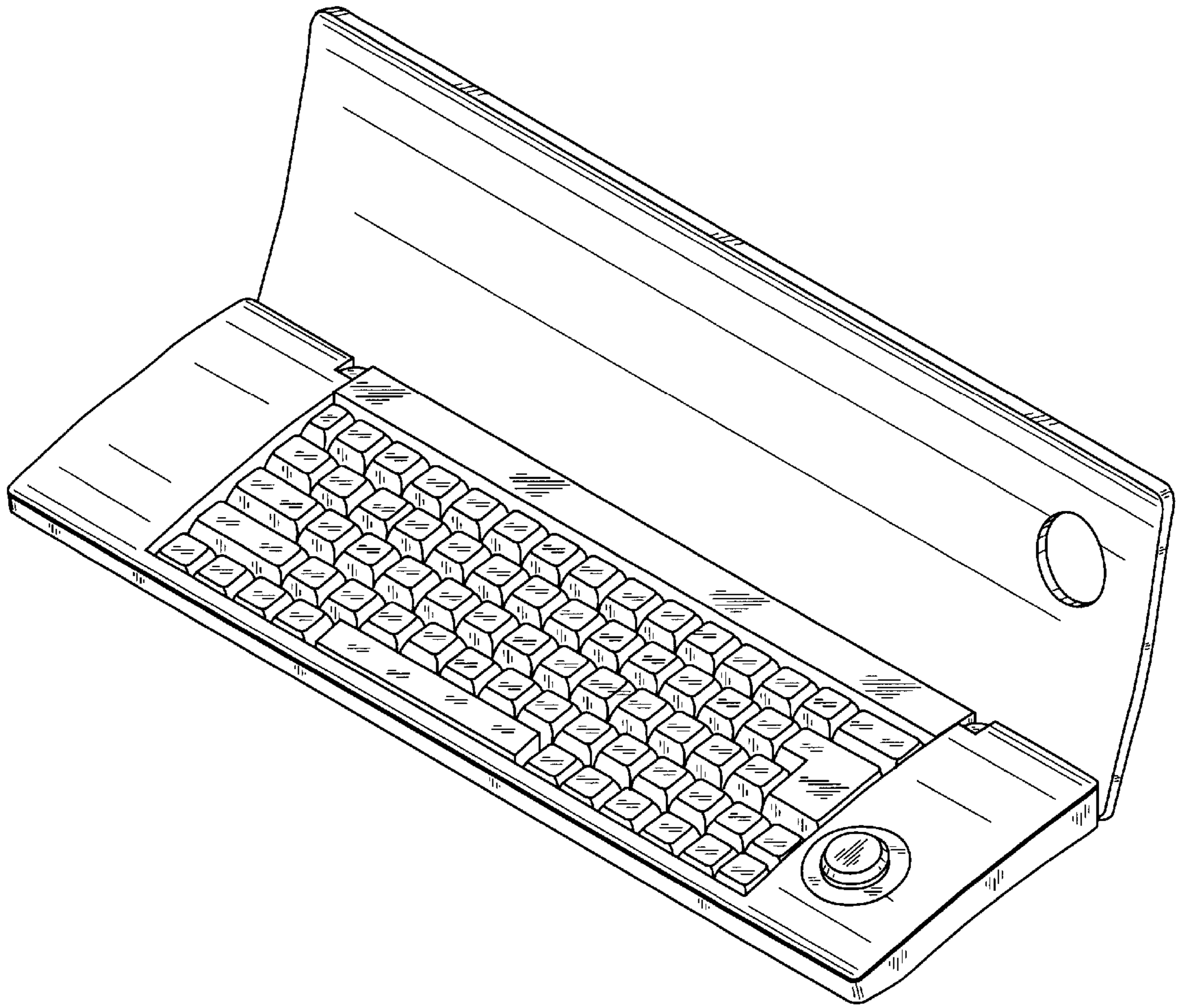
FIG. 7 is another perspective view thereof wherein the cover is in the closed position;

FIG. 8 is a rear elevational view of a second embodiment of a combined wireless telephone and keyboard showing our new design; and,

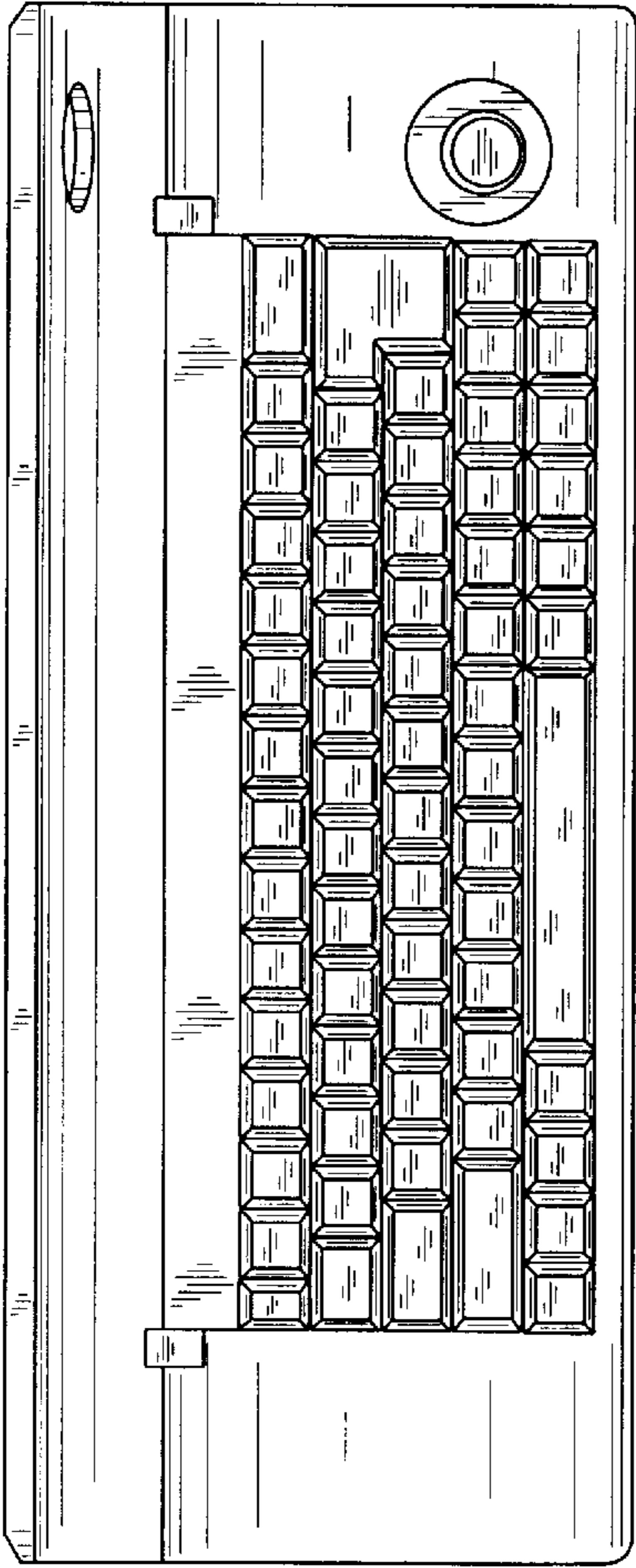
FIG. 9 is a perspective view thereof wherein the cover is in the closed position, the rest of the views of the second embodiment being the same as those of the first embodiment.

**1 Claim, 4 Drawing Sheets**

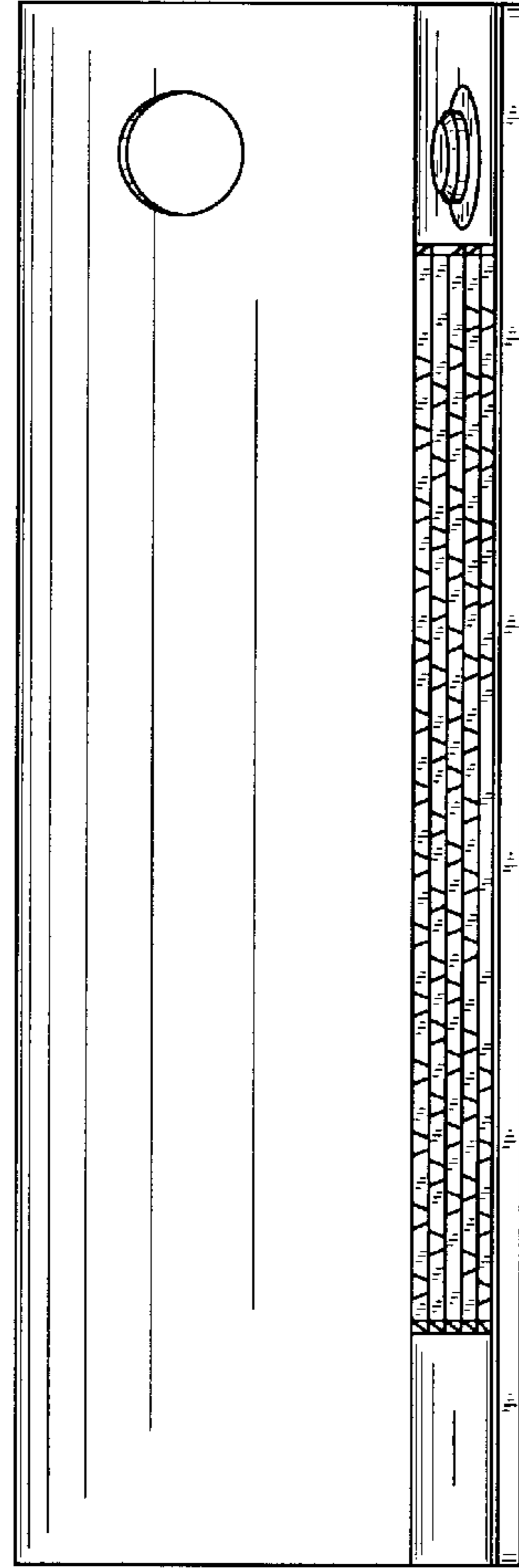




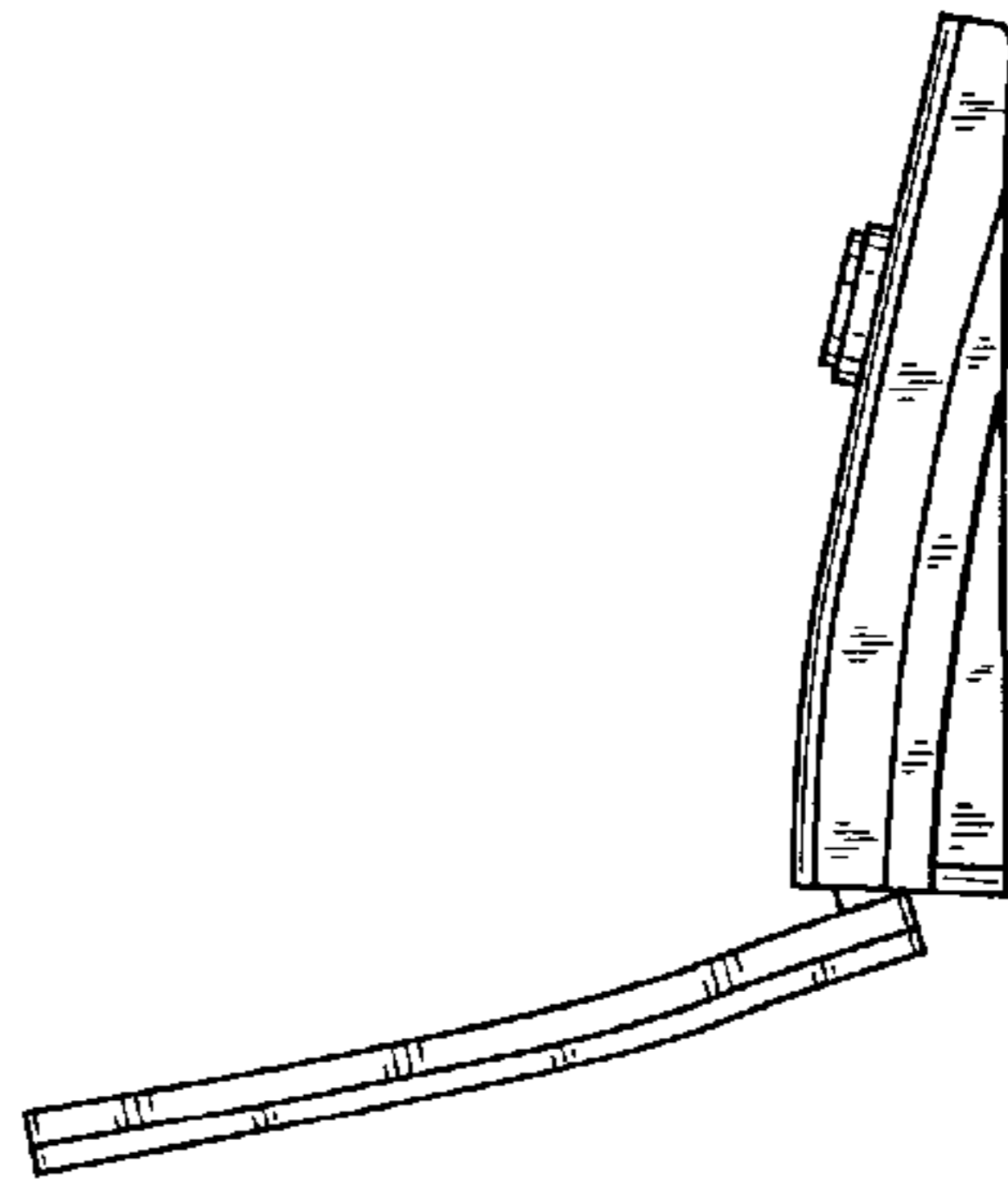
**FIG. 1**



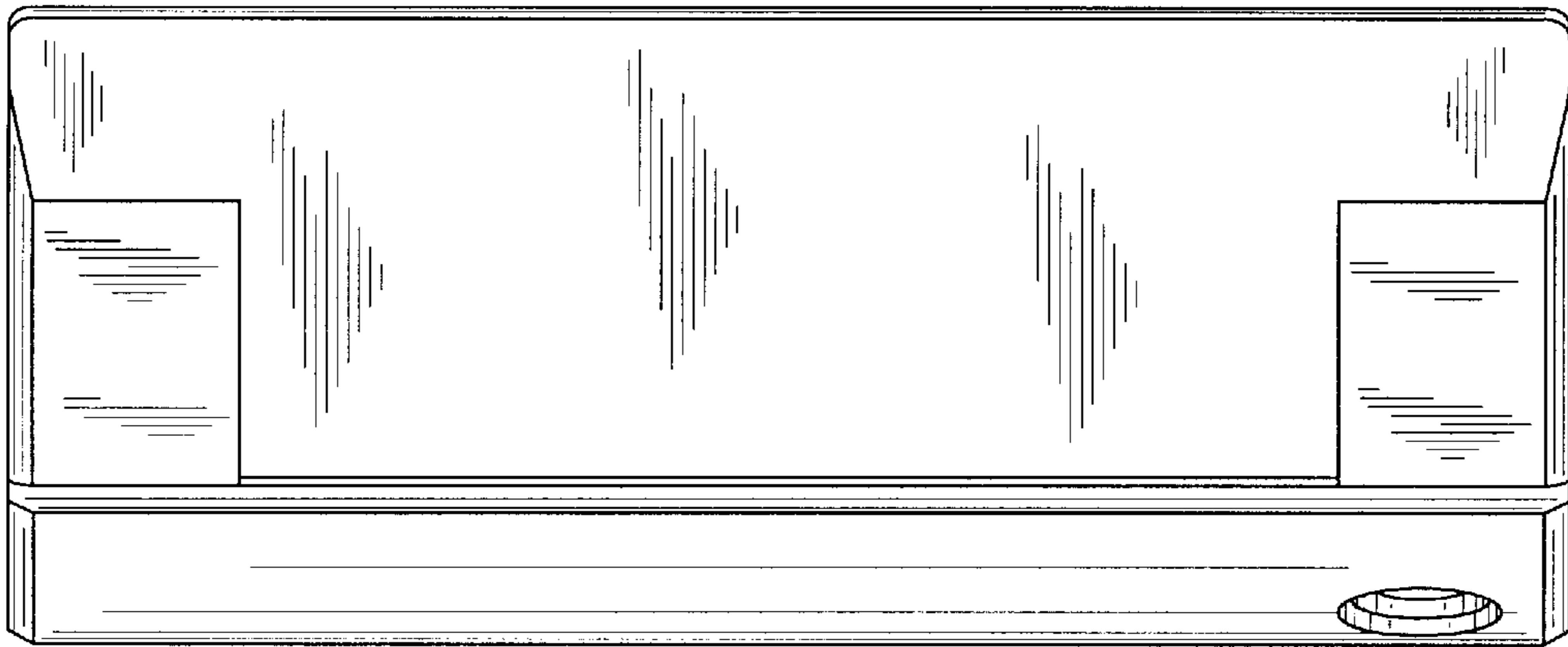
**FIG. 2**



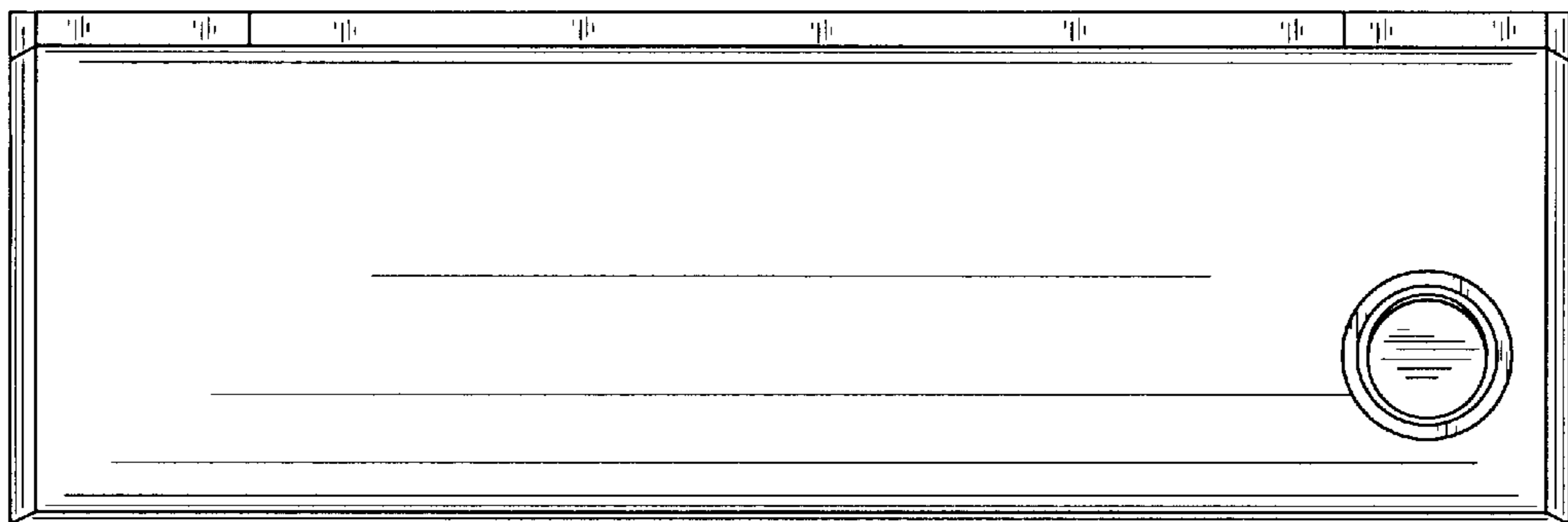
**FIG. 4**



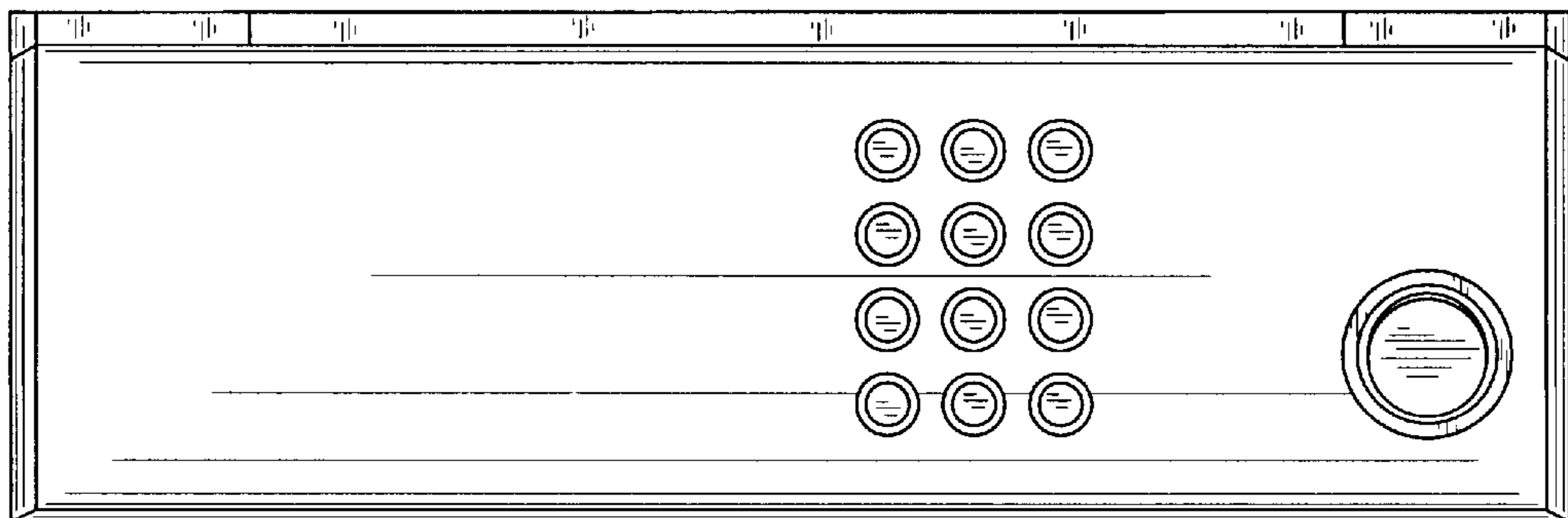
**FIG. 3**



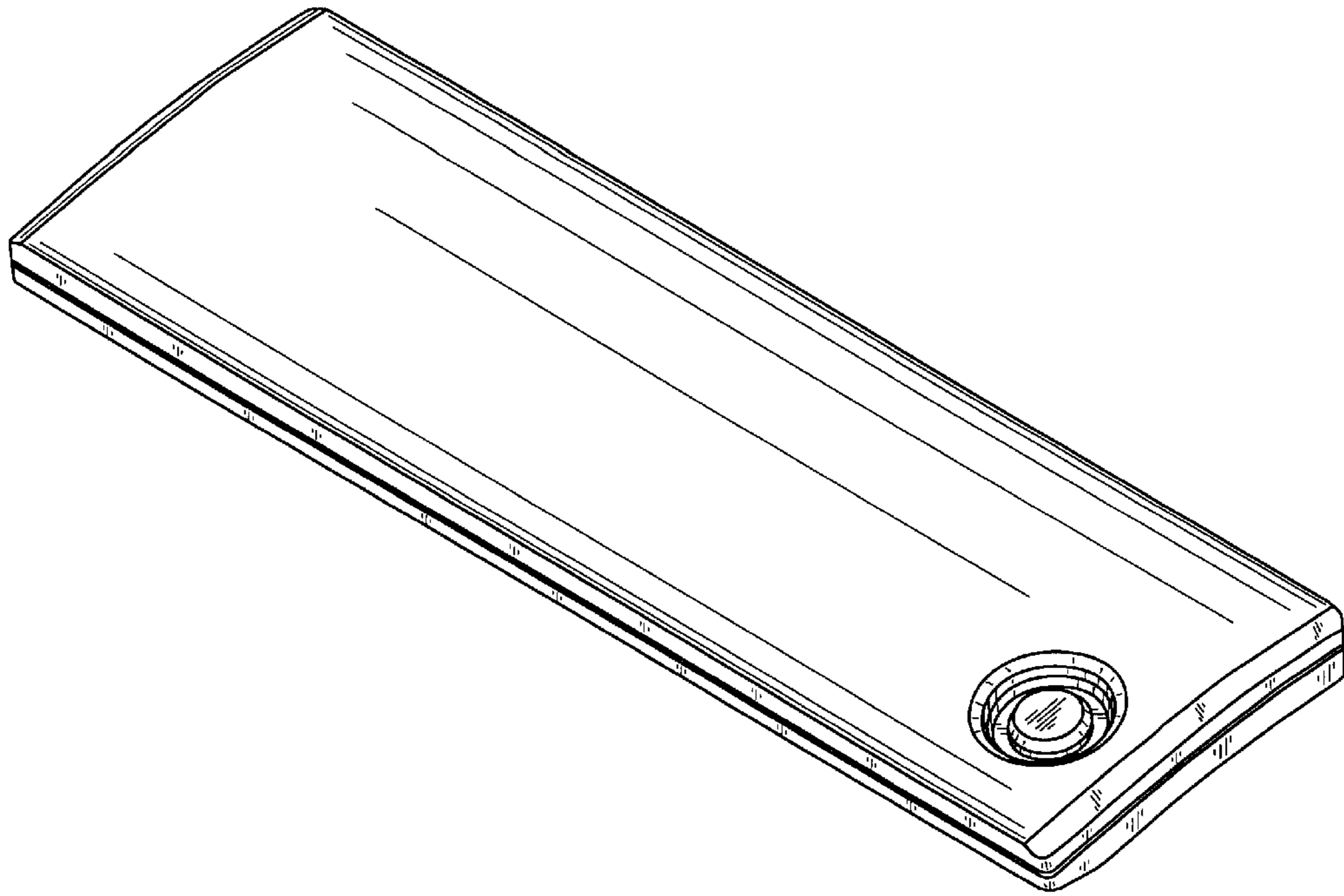
**FIG. 5**



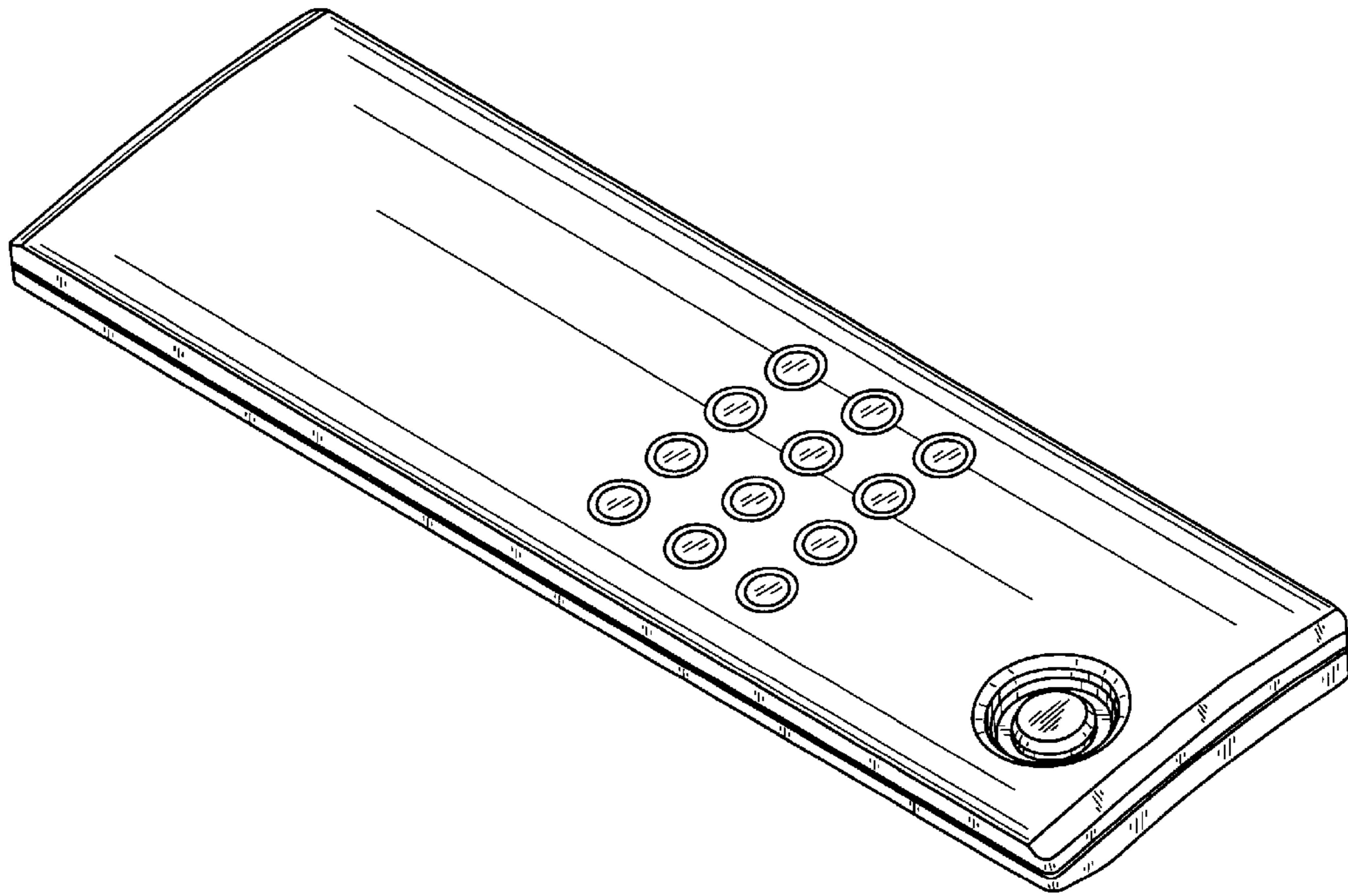
**FIG. 6**



**FIG. 8**



**FIG. 7**



**FIG. 9**