



US00D413879S

United States Patent [19] Wu

[11] **Patent Number: Des. 413,879**

[45] **Date of Patent: ** Sep. 14, 1999**

[54] **INPUT/OUTPUT CARD**

[75] Inventor: **Kun-Tsan Wu**, Taipei Hsien, Taiwan

[73] Assignee: **Hon Hai Precision Ind. Co., Ltd.**,
Taipei Hsien, Taiwan

[**] Term: **14 Years**

[21] Appl. No.: **29/087,198**

[22] Filed: **Apr. 28, 1998**

[30] **Foreign Application Priority Data**

Dec. 15, 1997 [TW] Taiwan 86310733

[51] **LOC (6) Cl.** **14-02**

[52] **U.S. Cl.** **D14/117; D14/114**

[58] **Field of Search** D14/114, 117,
D14/107; D13/147, 164; D16/202; 235/380,
382, 382.5, 492; 361/728, 737

[56] **References Cited**

U.S. PATENT DOCUMENTS

D. 355,412 2/1995 Rak et al. D14/107

D. 371,770 7/1996 Larson et al. D14/107
D. 378,085 2/1997 Kerklaan et al. D14/114
D. 388,803 1/1998 Shinano D16/202

Primary Examiner—Freda Nunn

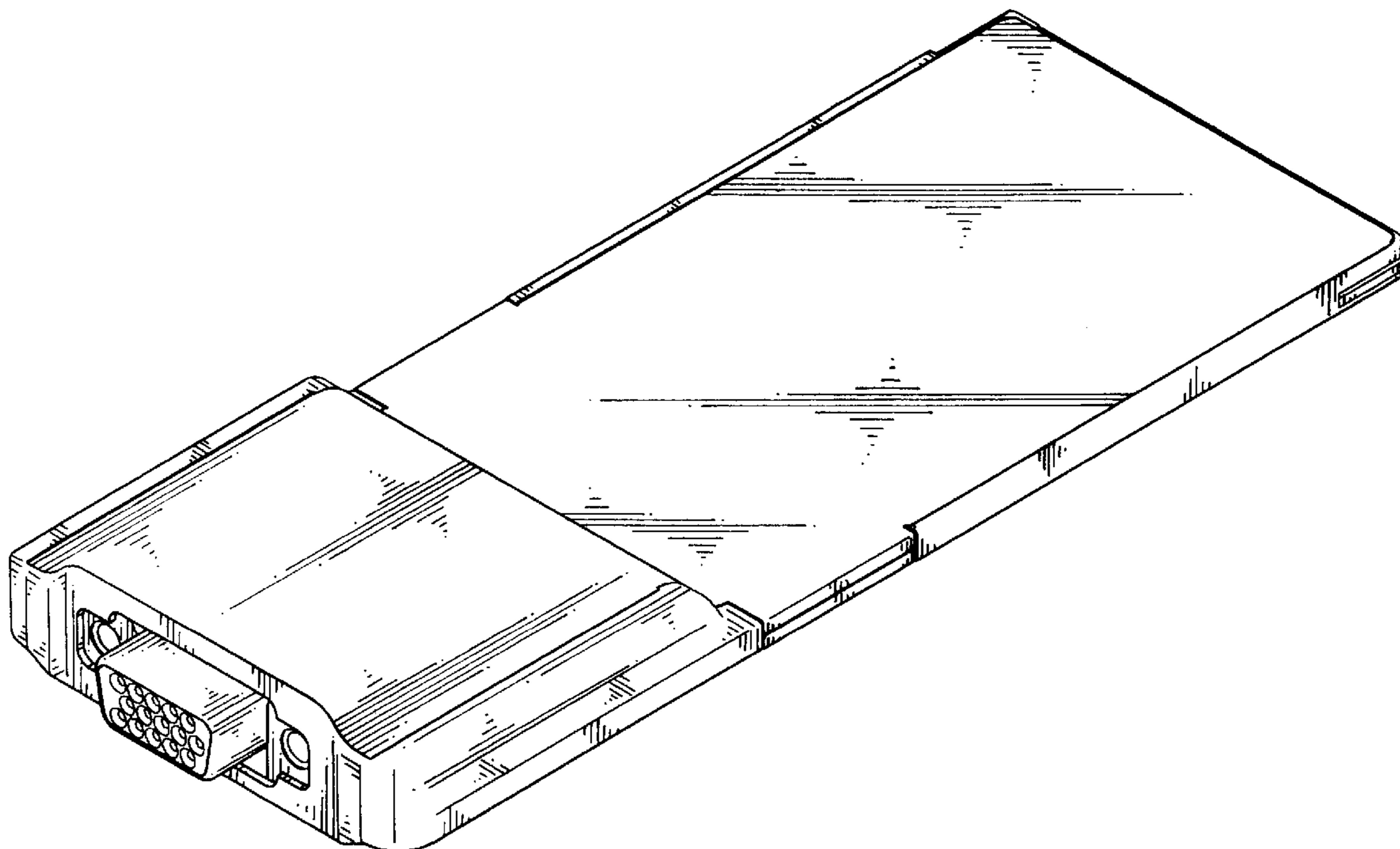
[57] **CLAIM**

The ornamental design for an input/output card, as shown.

DESCRIPTION

FIG. 1 is a front-right-top perspective view of an input/output card showing my new design;
FIG. 2 is a front elevational view thereof;
FIG. 3 is a rear elevational view thereof;
FIG. 4 is a left side elevational view thereof;
FIG. 5 is a right side elevational view thereof;
FIG. 6 is a top plan view thereof; and,
FIG. 7 is a bottom plan view thereof.

1 Claim, 7 Drawing Sheets



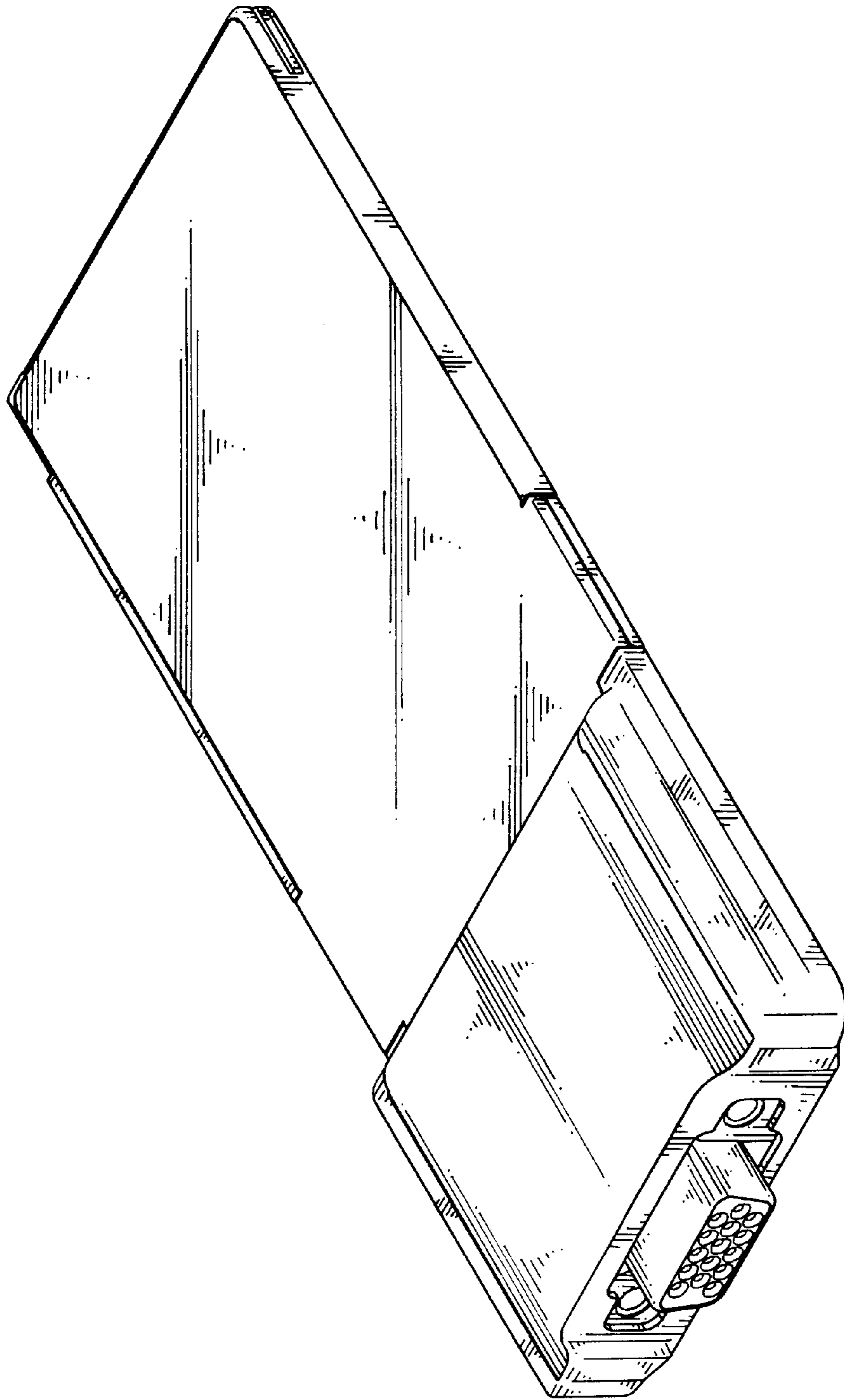


FIG.1

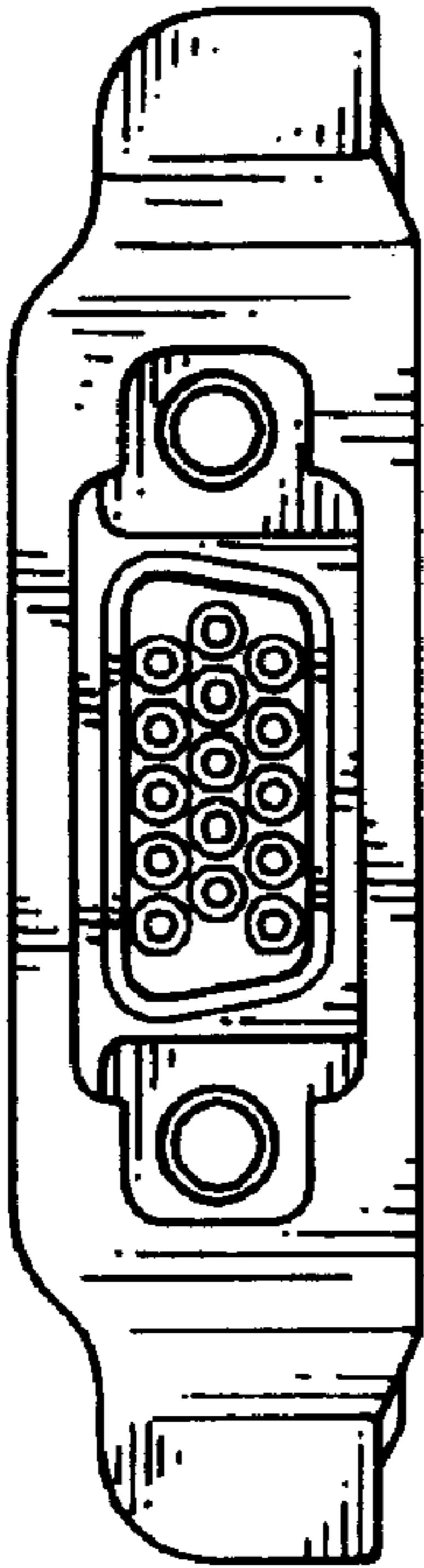


FIG. 2

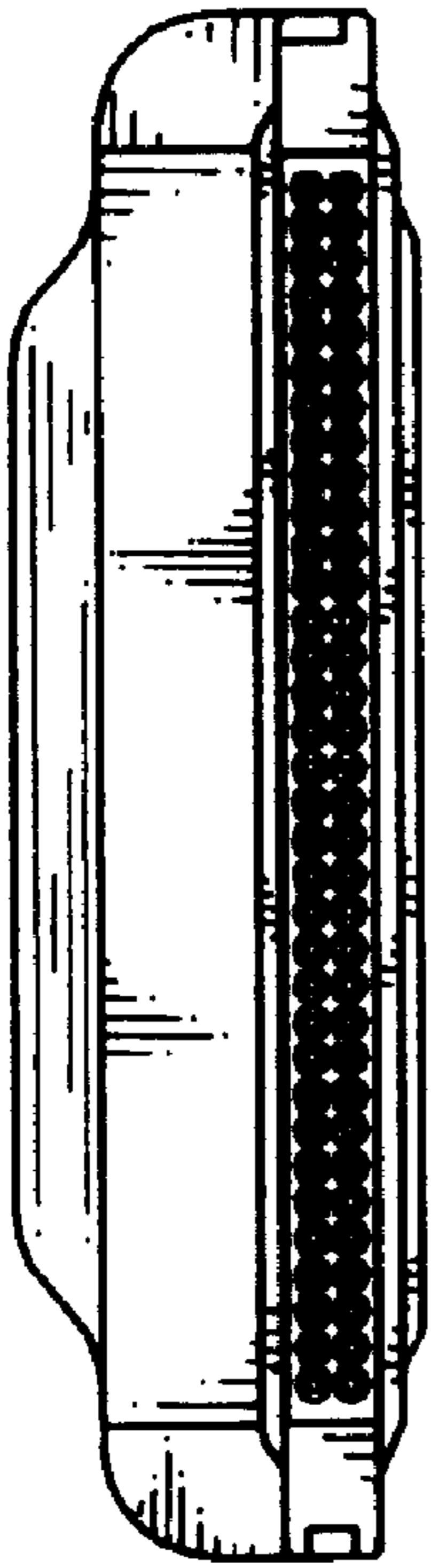


FIG. 3

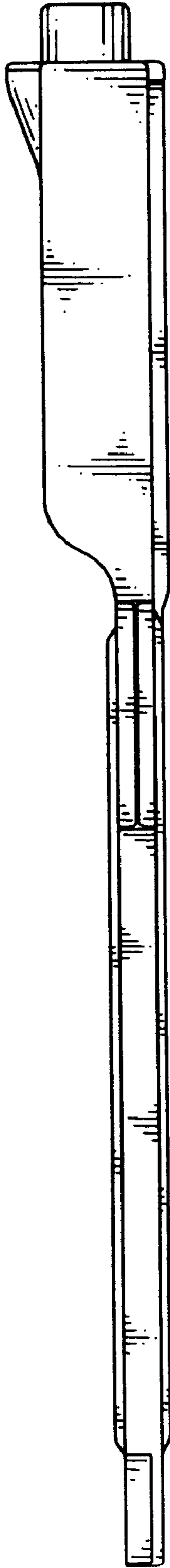


FIG. 4

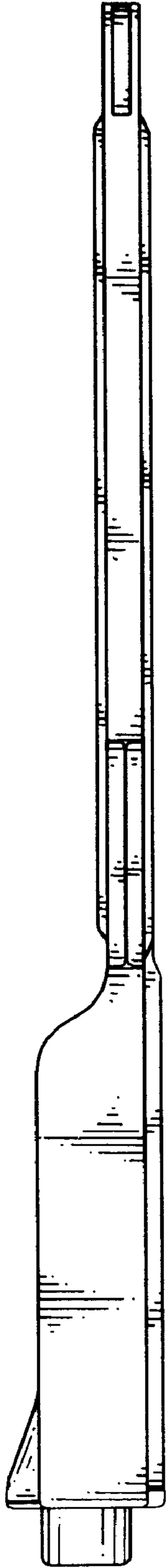


FIG. 5

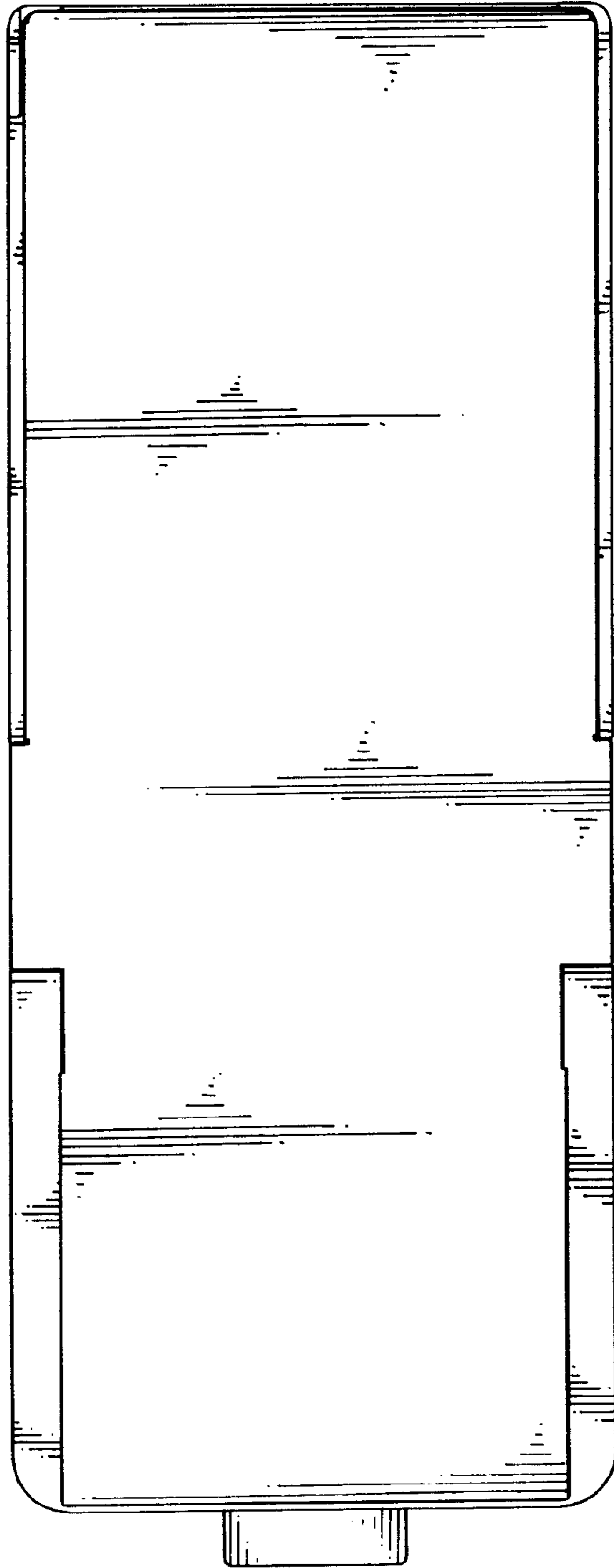


FIG. 6

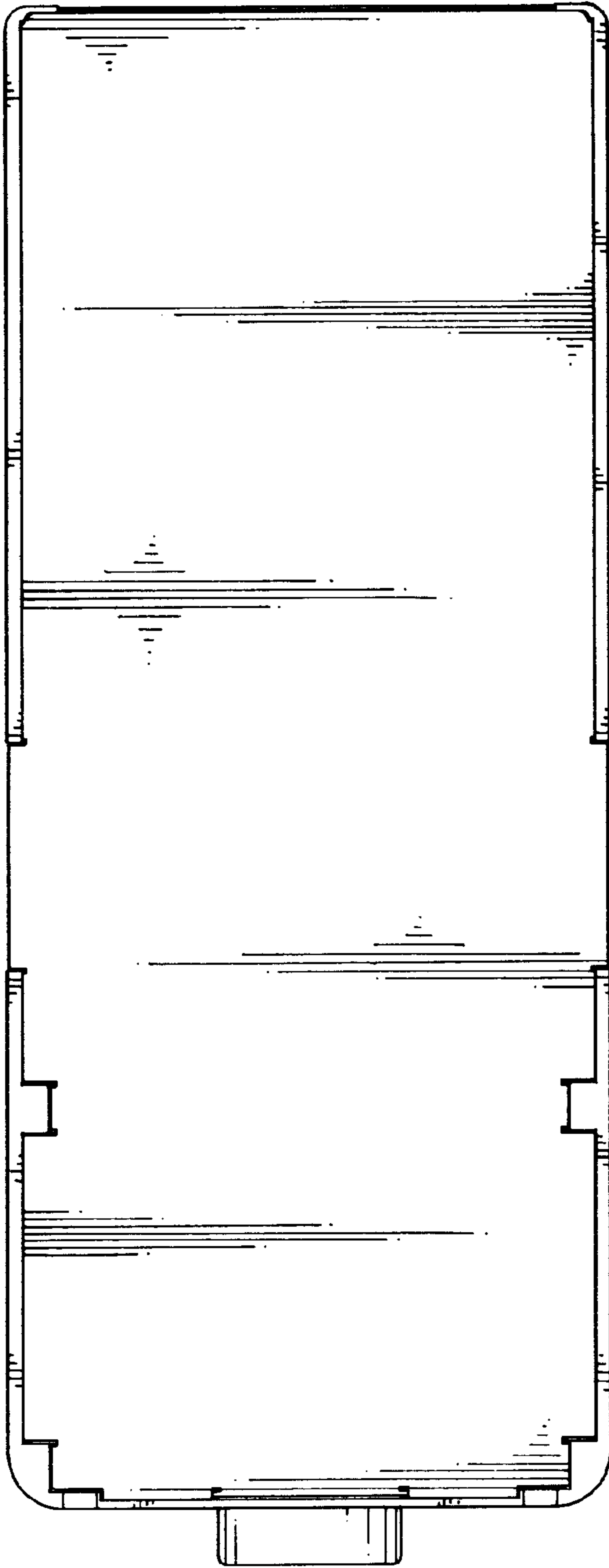


FIG. 7