



US00D413875S

United States Patent [19] Lawrence

[11] **Patent Number: Des. 413,875**

[45] **Date of Patent: ** Sep. 14, 1999**

[54] **ARM/WRIST REST**

[75] Inventor: **James Irwin Lawrence**, Georgetown, Tex.

[73] Assignee: **JSJ Seating Corporation**, Belton, Tex.

[**] Term: **14 Years**

[21] Appl. No.: **29/093,259**

[22] Filed: **Sep. 8, 1998**

[51] **LOC (6) Cl.** **14-02**

[52] **U.S. Cl.** **D14/114**

[58] **Field of Search** D14/114; 248/118, 248/118.1-118.5, 176; 400/715; D18/127, 99

[56] **References Cited**

U.S. PATENT DOCUMENTS

D. 352,933 11/1994 Vaule D14/114
D. 352,934 11/1994 Juster D14/114

D. 362,665 9/1995 Knighton et al. D14/114
3,300,250 1/1967 Dollgener et al. 248/118.1
5,170,971 12/1992 Schaeffer et al. 248/118.1

Primary Examiner—Kay H. Chin
Attorney, Agent, or Firm—Warner Norcross & Judd

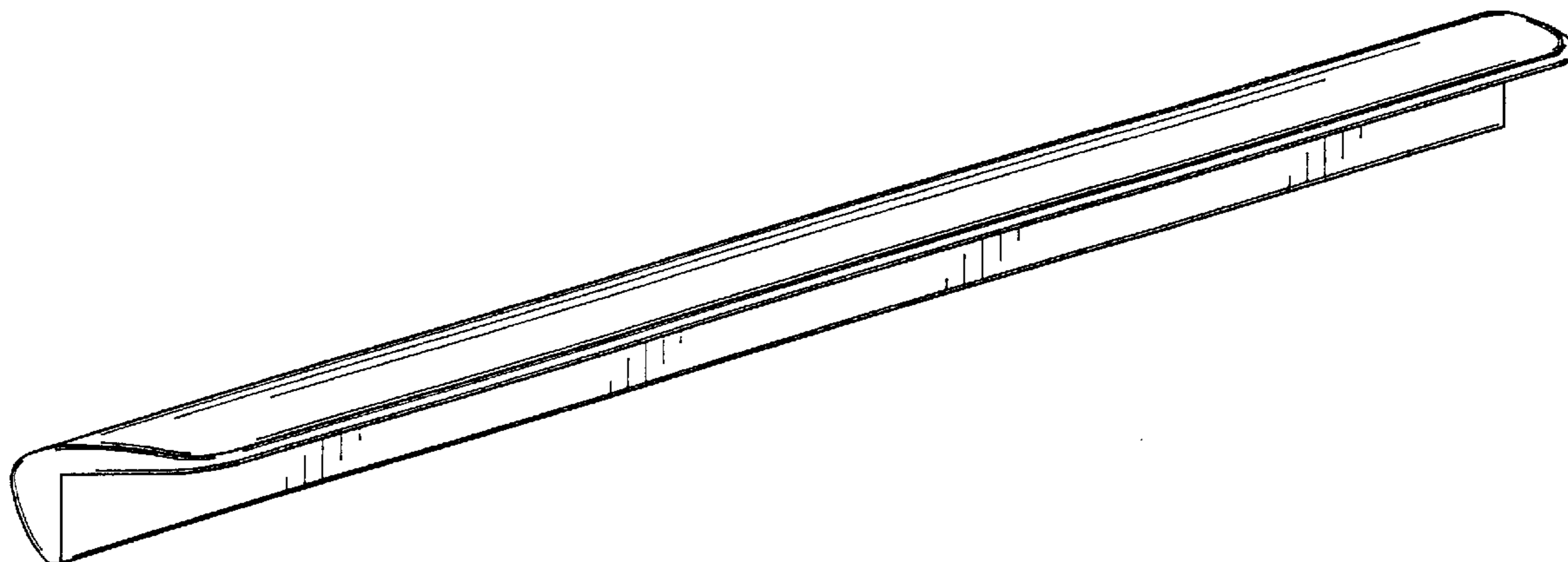
[57] **CLAIM**

The ornamental design for arm/wrist rest, as shown and described.

DESCRIPTION

FIG. 1 is a perspective view of the arm/wrist rest showing my new design;
FIG. 2 is a front elevational view thereof;
FIG. 3 is a rear elevational view thereof;
FIG. 4 is a top plan view thereof;
FIG. 5 is a bottom plan view thereof; and,
FIG. 6 is a right end elevational view thereof, the left end being the mirror image thereof.

1 Claim, 2 Drawing Sheets



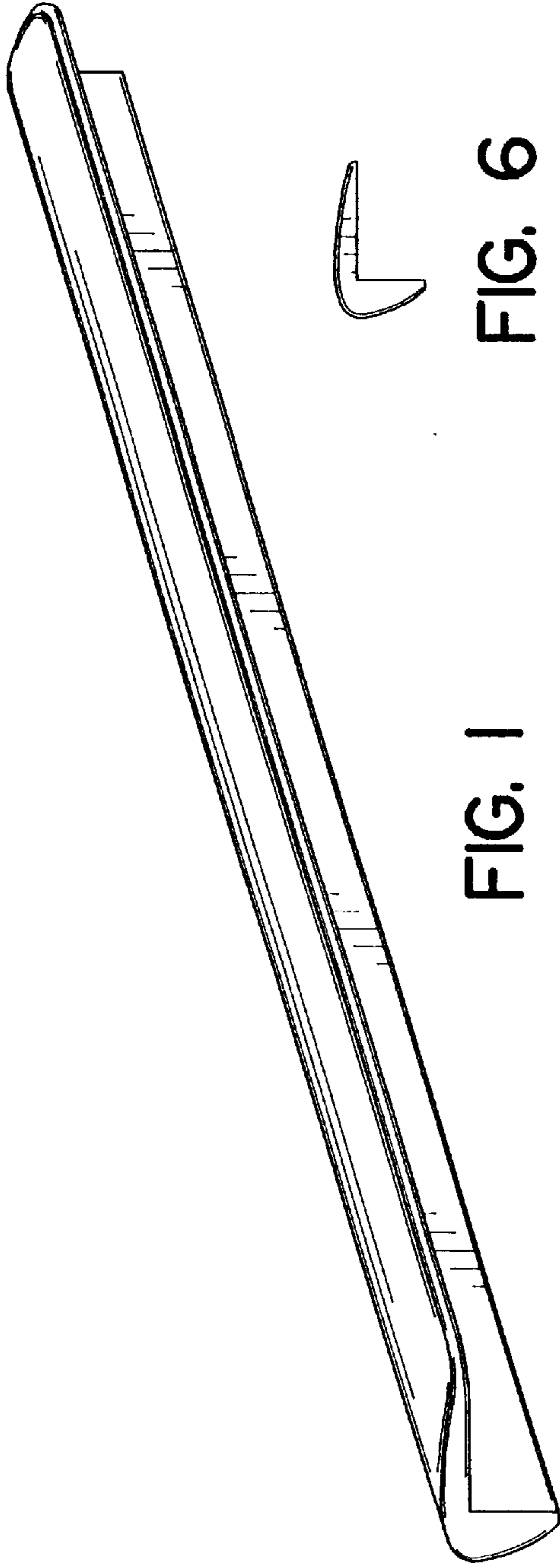


FIG. 1

FIG. 6

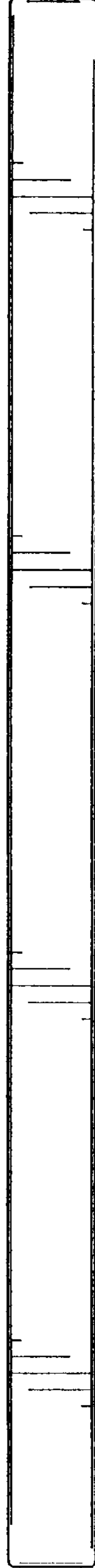


FIG. 2

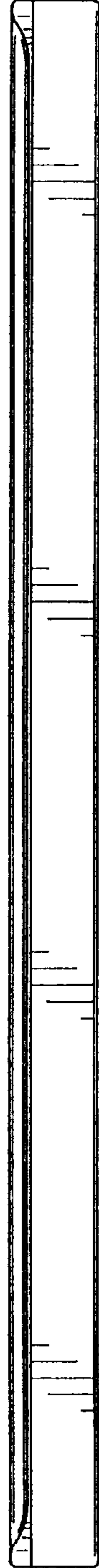


FIG. 3

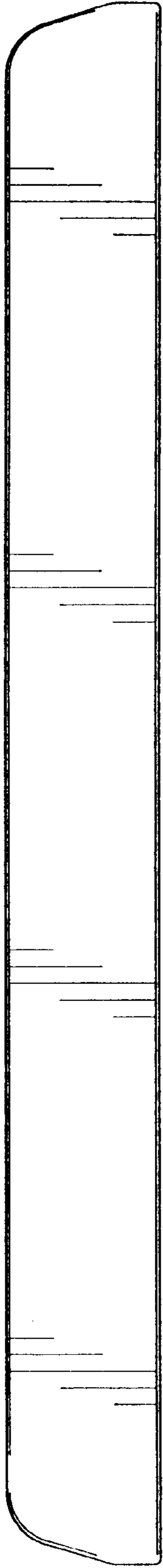


FIG. 4

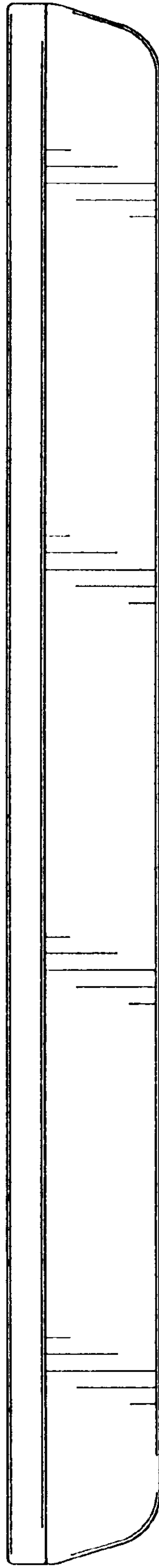


FIG. 5