



US00D413874S

United States Patent [19]
Giles et al.

[11] **Patent Number: Des. 413,874**

[45] **Date of Patent: ** Sep. 14, 1999**

[54] **COMPUTER MOUSE**

[76] Inventors: **Susan L. Giles**, 739 Nevada Ave., San Mateo, Calif. 94402; **Patrick A. Mavrakis**, 35427 Reymuth Dr., Newark, Calif. 94560; **George V. Anastas**, 832 Sunset Dr., San Carlos, Calif. 94070

[**] Term: **14 Years**

[21] Appl. No.: **29/088,206**

[22] Filed: **May 18, 1998**

[51] **LOC (6) Cl.** **14-02**

[52] **U.S. Cl.** **D14/114**

[58] **Field of Search** D14/114, 100, D14/117.1-117.9; D13/158; D21/385, 333; 200/5 R, 5 A, 6 R, 6 A; 273/148 B; 345/156-67; 74/471 XY; 463/36-39

[56] **References Cited**

U.S. PATENT DOCUMENTS

- D. 335,874 5/1993 Chen D14/114
- D. 362,431 9/1995 Kaneko et al. D14/114

- D. 373,350 9/1996 Verstockt D14/114
- D. 381,014 7/1997 Kraus et al. D14/114
- D. 381,968 8/1997 Edwards et al. D14/114
- 5,157,381 10/1992 Cheng D14/114 X

OTHER PUBLICATIONS

Kiddy™ Mouse web page, Jan. 25, 1999.

Primary Examiner—M. H. Tung
Attorney, Agent, or Firm—Dergosits & Noah LLP

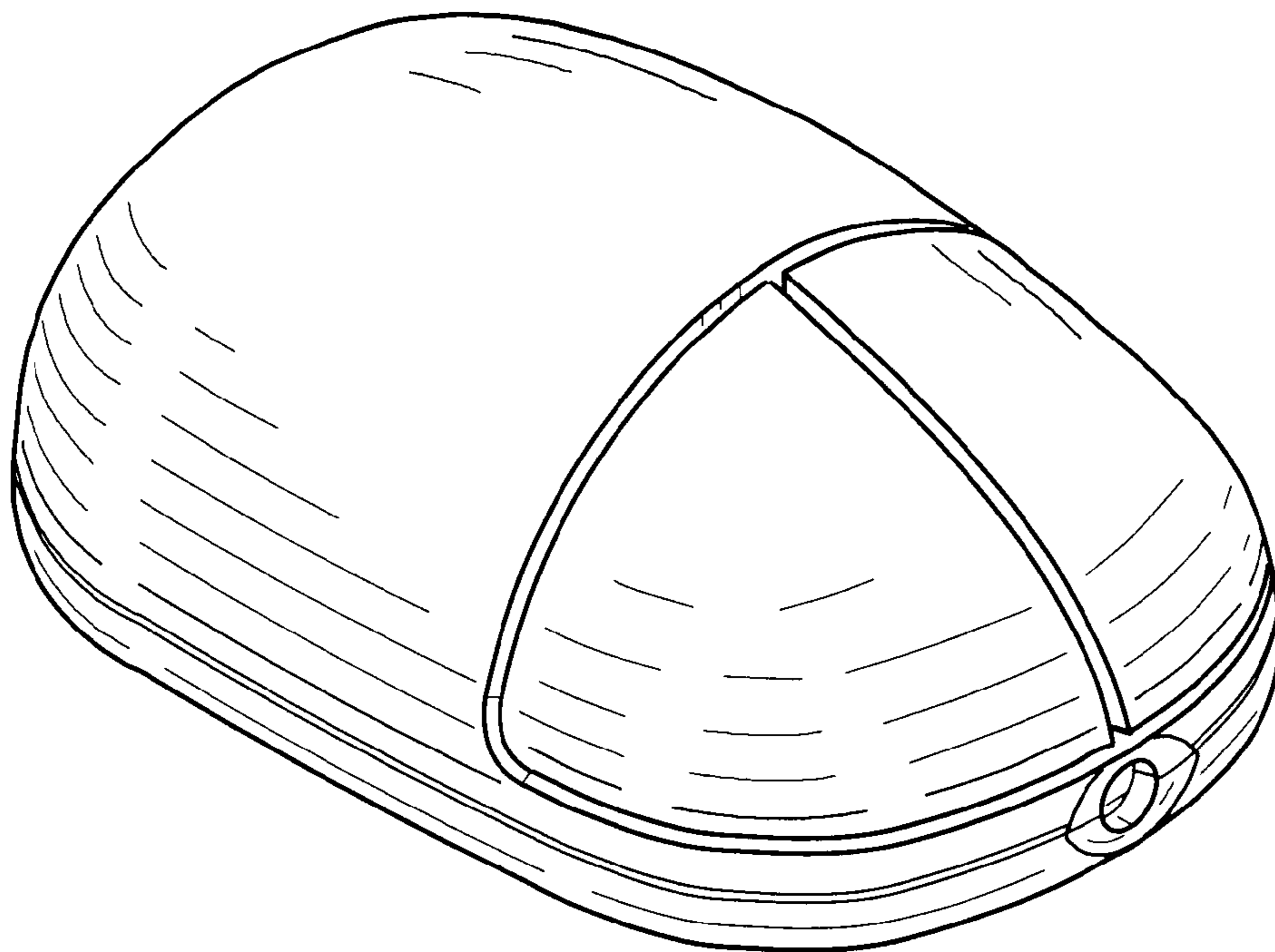
[57] **CLAIM**

The design for a computer mouse, as shown and described.

DESCRIPTION

FIG. 1 is a perspective view of the computer mouse showing our new design;
FIG. 2 is a right side elevation view of the computer mouse showing our design;
FIG. 3 is a left side elevation view thereof;
FIG. 4 is a front elevation view thereof;
FIG. 5 is a rear elevation view thereof;
FIG. 6 is a top plan view thereof; and,
FIG. 7 is a bottom plan view thereof.

1 Claim, 2 Drawing Sheets



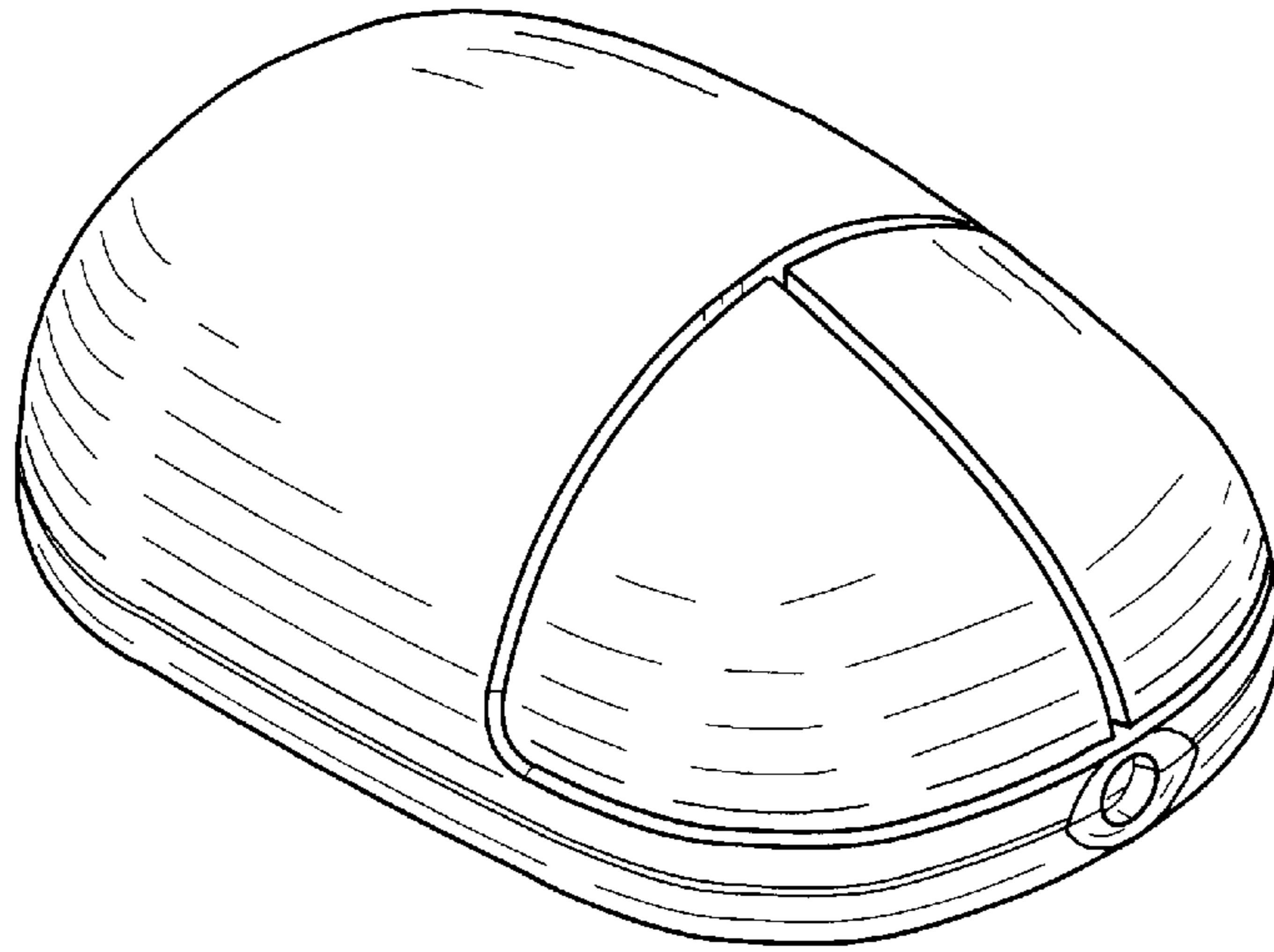


FIG. 1

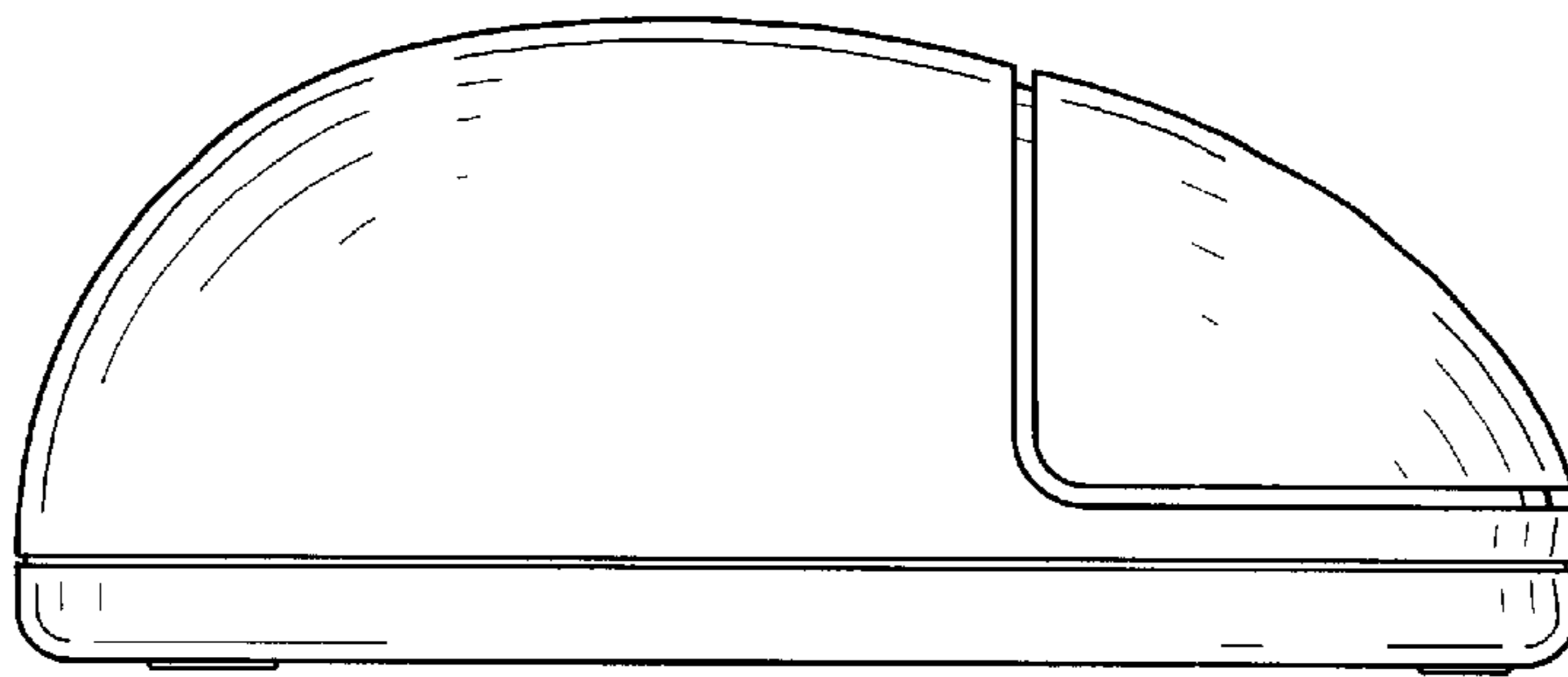


FIG. 2

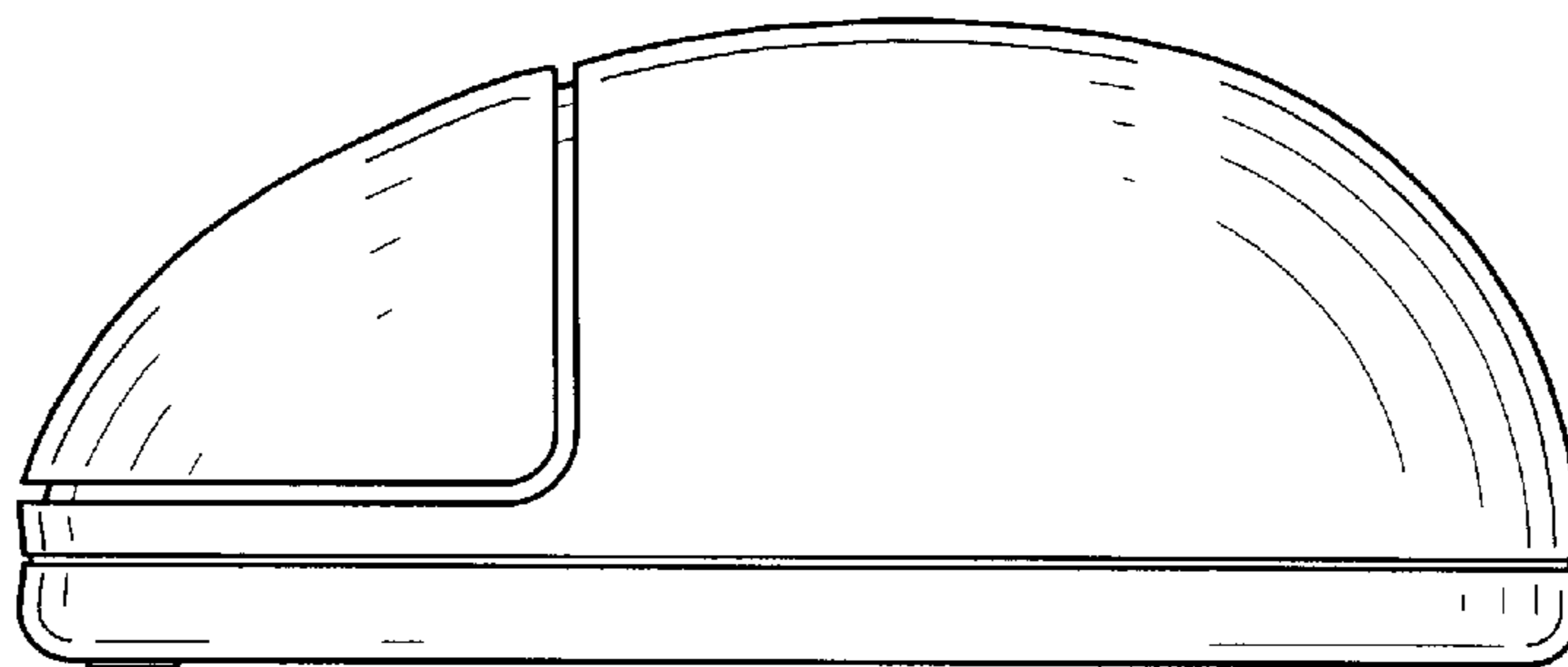


FIG. 3

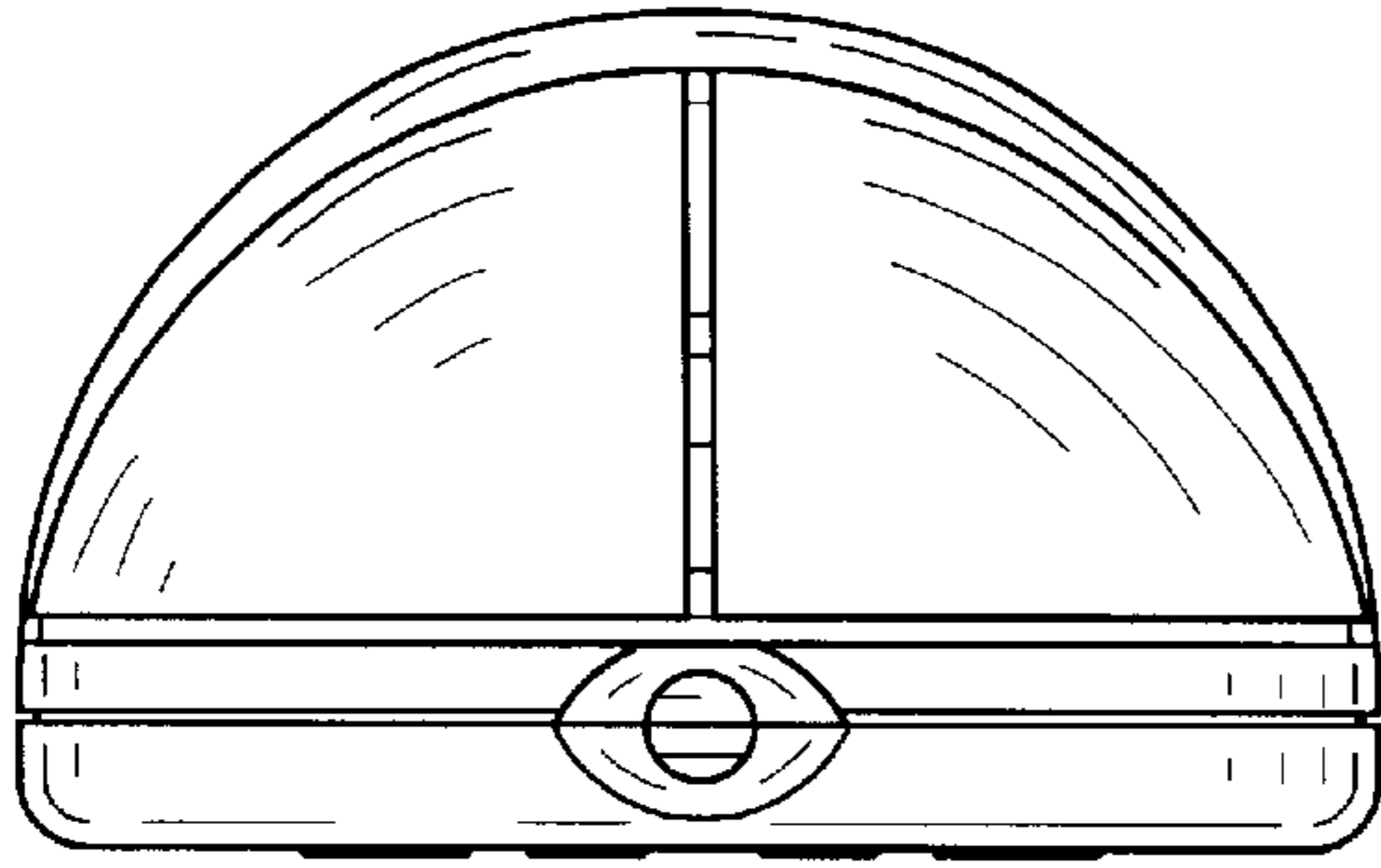


FIG. 4

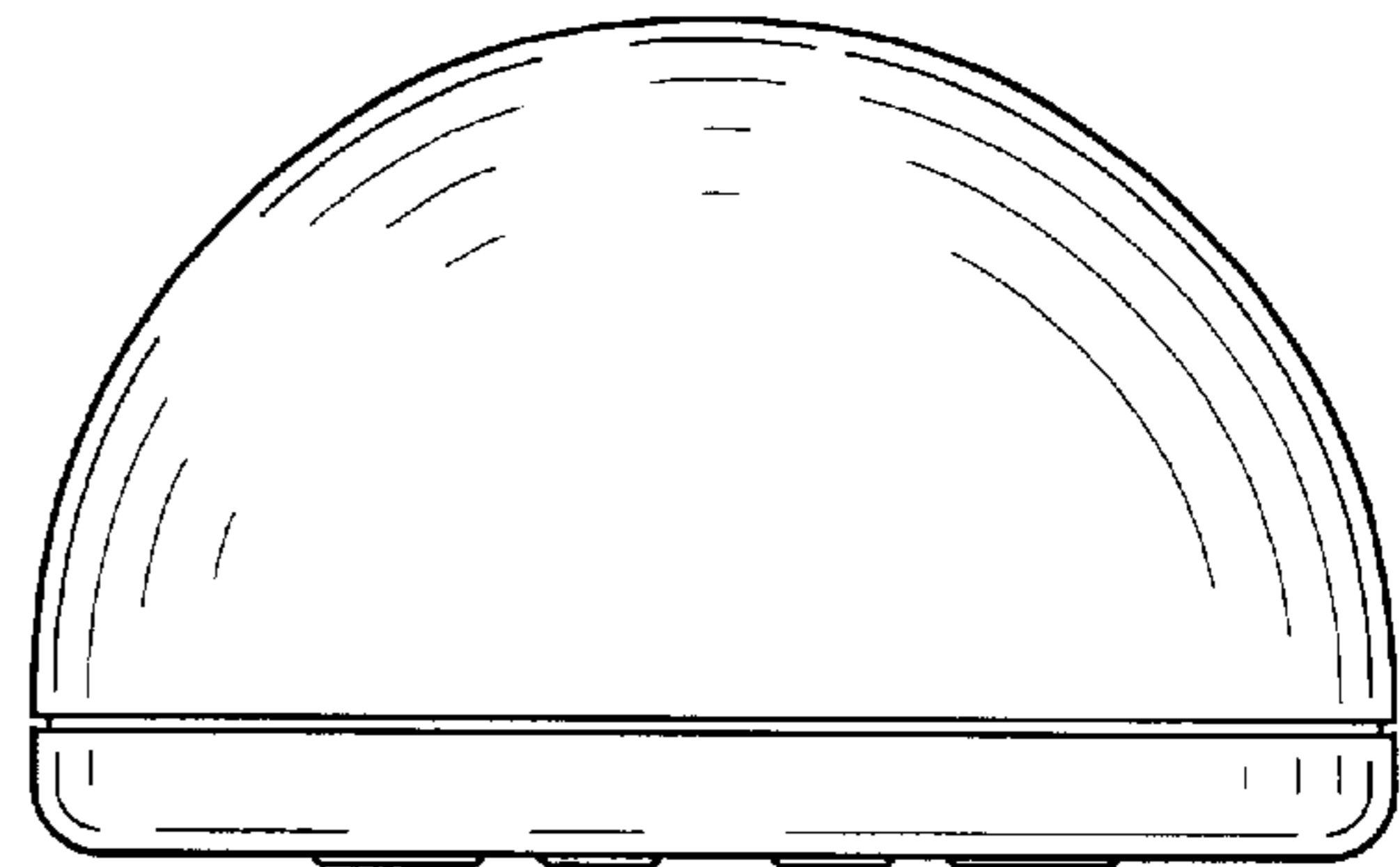


FIG. 5

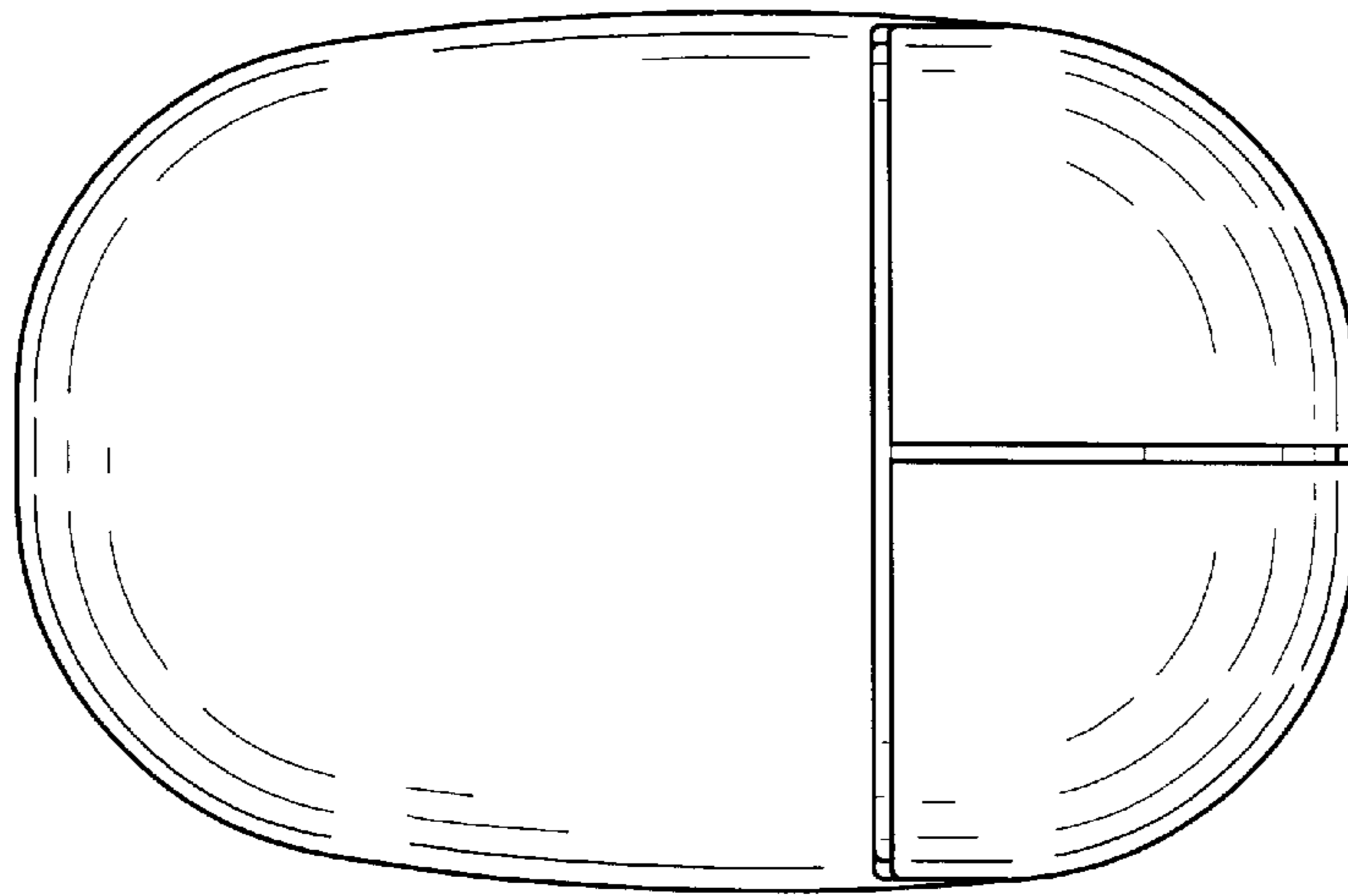


FIG. 6

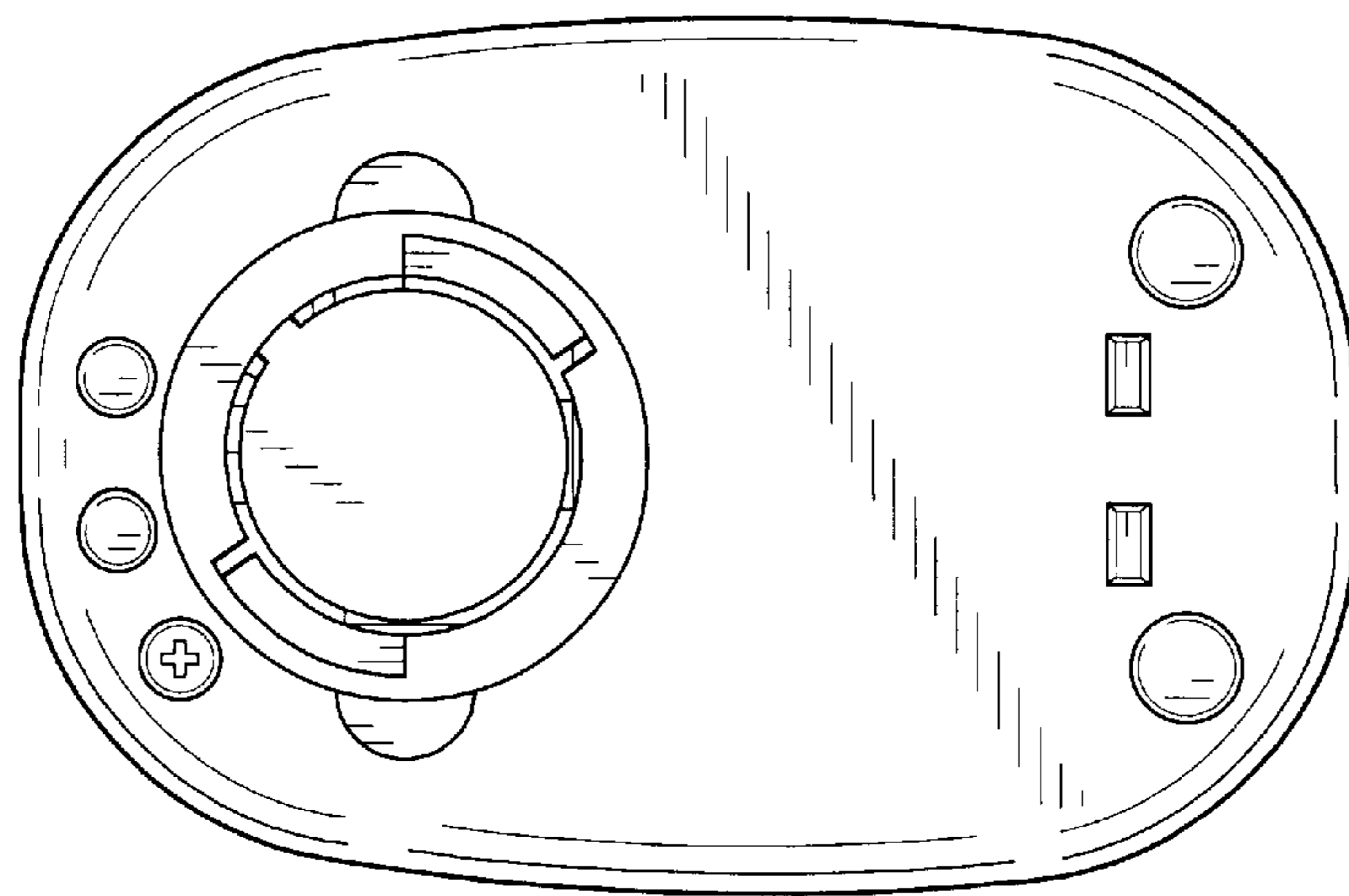


FIG. 7