



US00D413873S

United States Patent [19]

Daly et al.

[11] Patent Number: **Des. 413,873**

[45] Date of Patent: **** Sep. 14, 1999**

[54] **COMPUTER CHASSIS COVER**

[75] Inventors: **John Joseph Daly**, Irvine; **Robert Dennis Brunner**, Los Gatos; **Tina Zimmerman**, San Francisco, all of Calif.

[73] Assignee: **Toshiba America Information Systems, Inc.**, Irvine, Calif.

[**] Term: **14 Years**

[21] Appl. No.: **29/084,972**

[22] Filed: **Mar. 13, 1998**

Related U.S. Application Data

[63] Continuation-in-part of application No. 29/084,340, Feb. 26, 1998.

[51] **LOC (6) Cl.** **14-02**

[52] **U.S. Cl.** **D14/114**

[58] **Field of Search** D14/100, 107, D14/105, 109, 114; D13/184, 199; 360/97.01-99.12; 361/683, 679-85; 321/208.1

[56] References Cited

U.S. PATENT DOCUMENTS

- D. 377,645 1/1997 Iwamoto et al. D14/105
- D. 383,446 9/1997 Han D14/100
- D. 384,944 10/1997 Brezovar D14/100

- D. 386,752 11/1997 Han D14/100
- D. 391,236 2/1998 Moffatt et al. D14/100
- D. 393,246 4/1998 Fynn et al. D14/100

Primary Examiner—M. H. Tung
Attorney, Agent, or Firm—Pillsbury Madison & Sutro

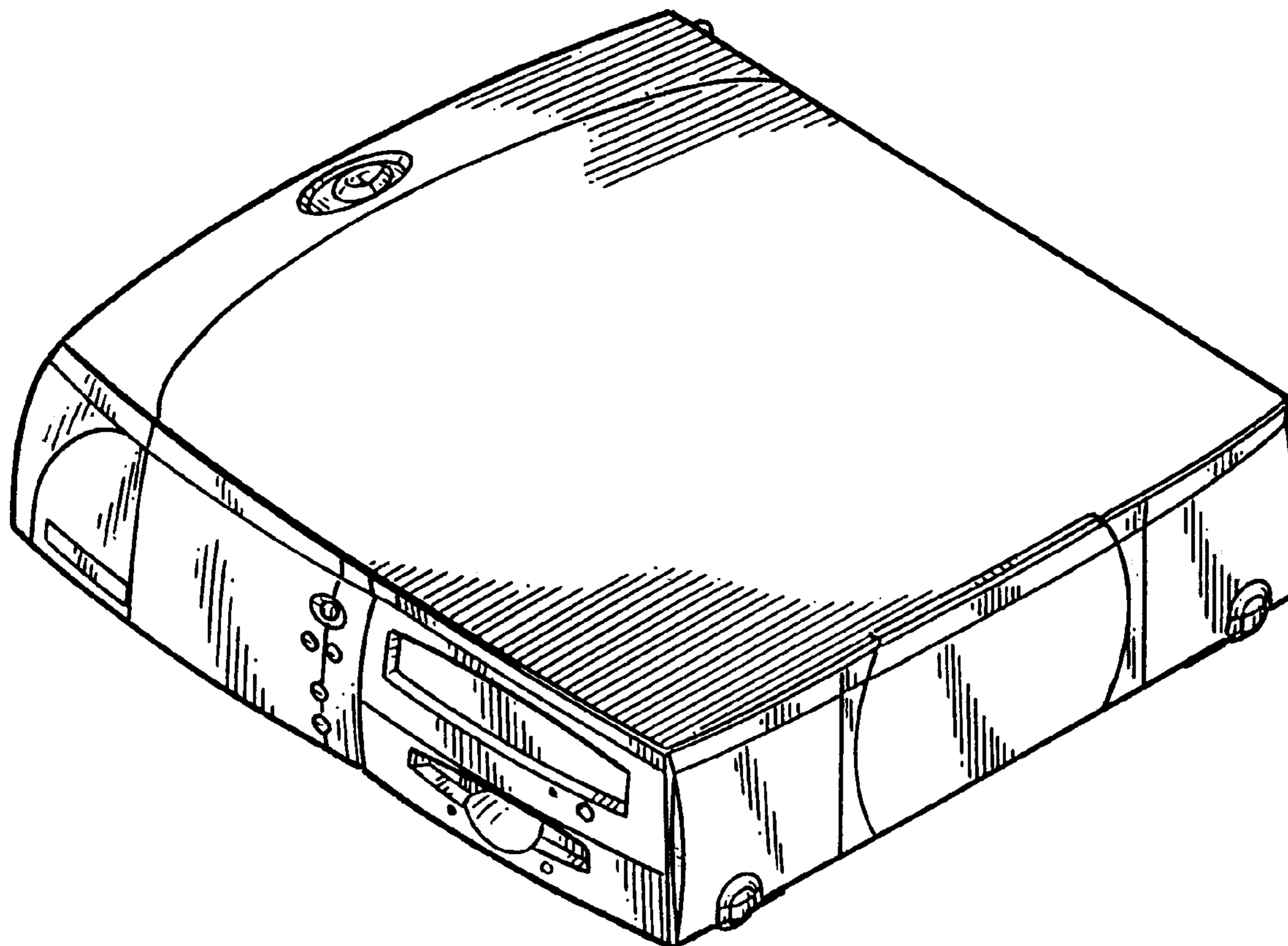
[57] CLAIM

The ornamental design for a computer chassis cover, as shown and described.

DESCRIPTION

FIG. 1 is a top, rear perspective view thereof; FIG. 2 is a perspective view thereof; FIG. 3 is a top view thereof, on an enlarged scale; FIG. 4 is a front view thereof, on an enlarged scale; FIG. 5 is a side view thereof, on an enlarged scale; FIG. 6 is a bottom view thereof, on an enlarged scale; FIG. 7 is a rear view thereof, on an enlarged scale; FIG. 8 is an opposite side view thereof, on an enlarged scale; FIG. 9 is a top-rear perspective view of a second embodiment; FIG. 10 is a bottom view thereof, on an enlarged scale; and, FIG. 11 is a rear view thereof, on an enlarged scale. The broken line drawing in FIGS. 2, 6 and 7 represent unclaimed subject matter in the embodiment. The front and side views of the second embodiment are identical to the front and side views of the first embodiment as shown in FIGS. 4 and 5, respectively.

1 Claim, 8 Drawing Sheets



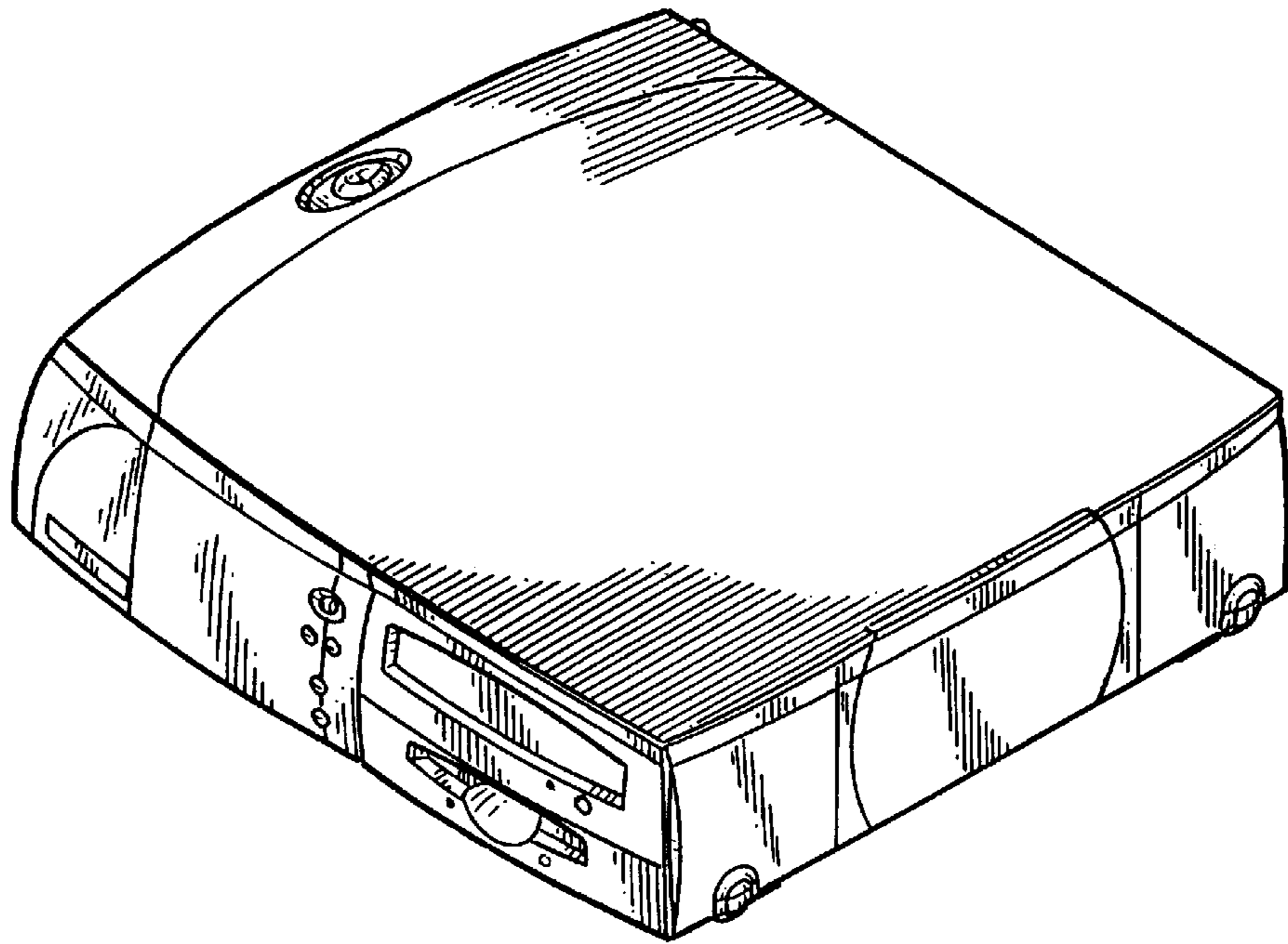


FIG. 1

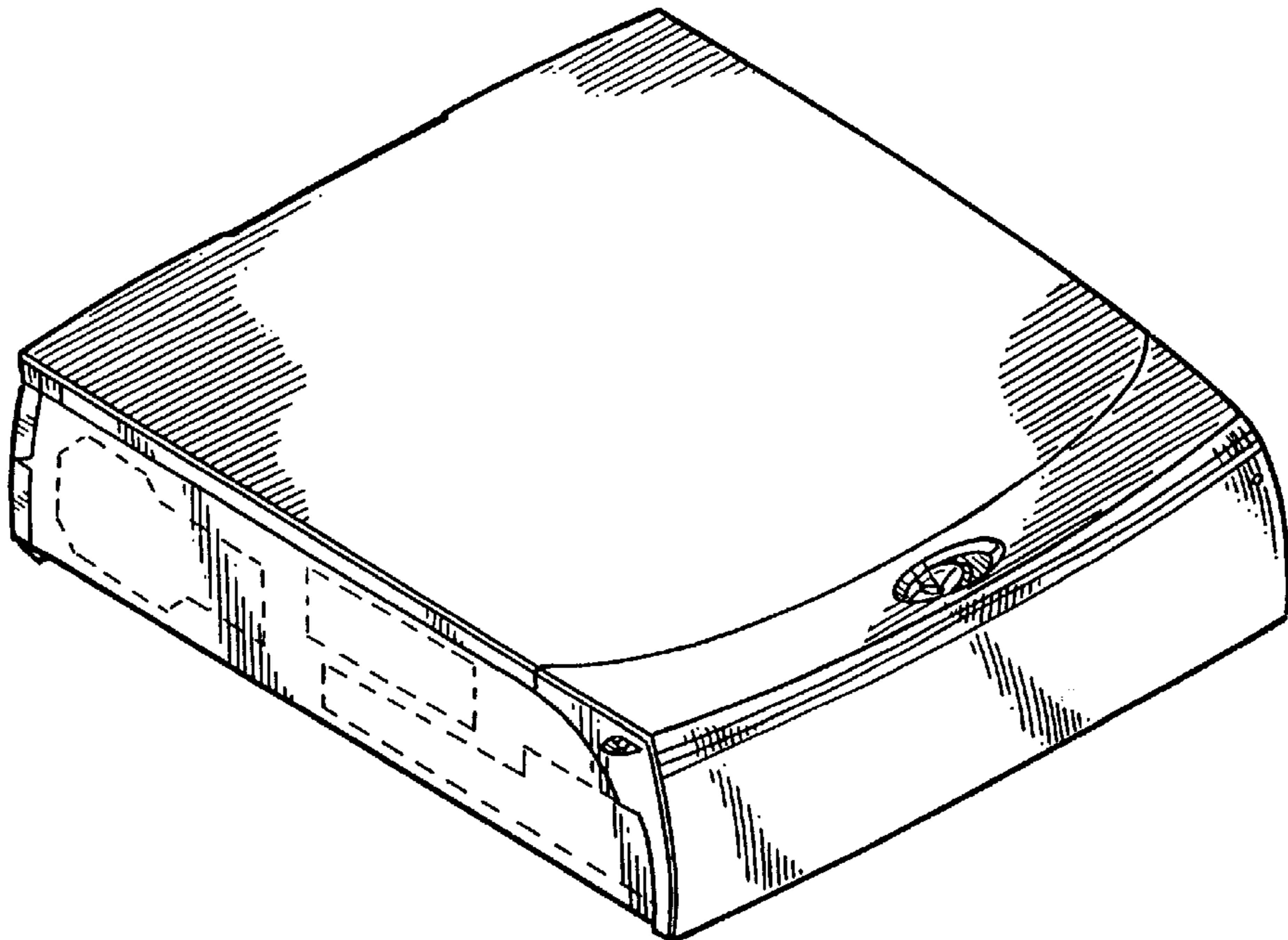


FIG. 2

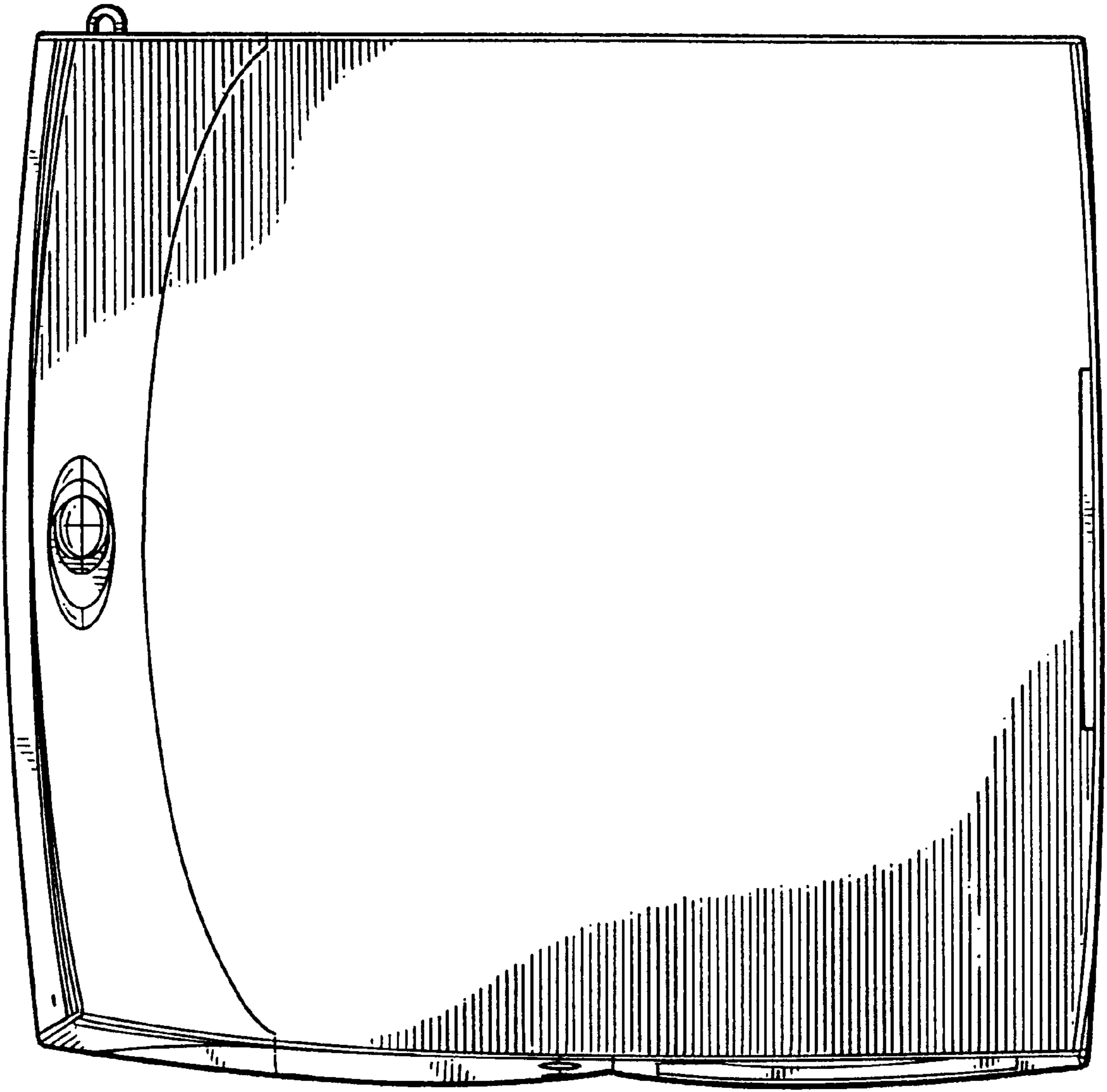


FIG. 3

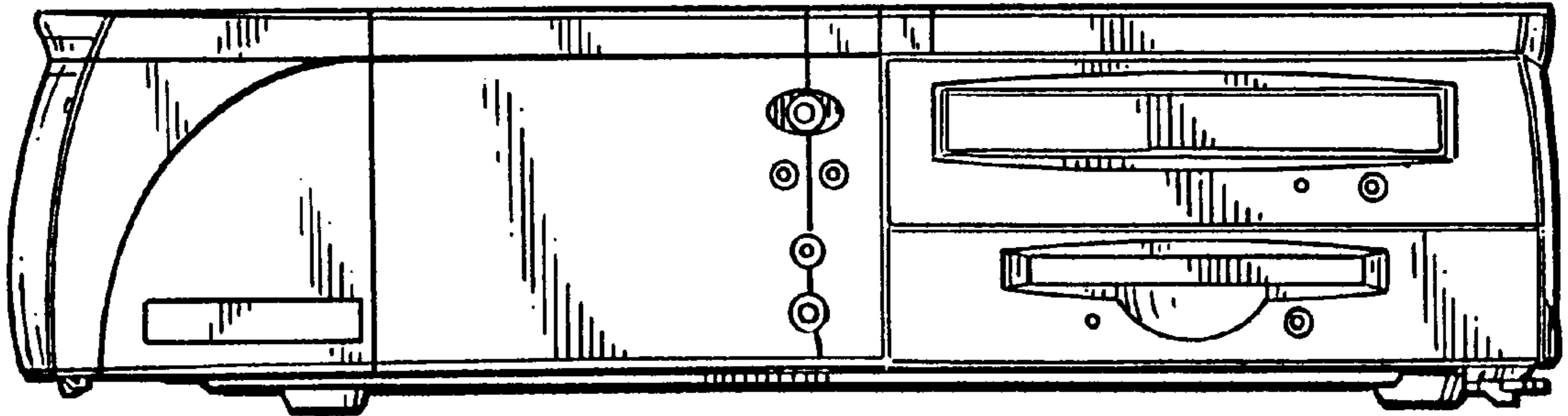


FIG. 4

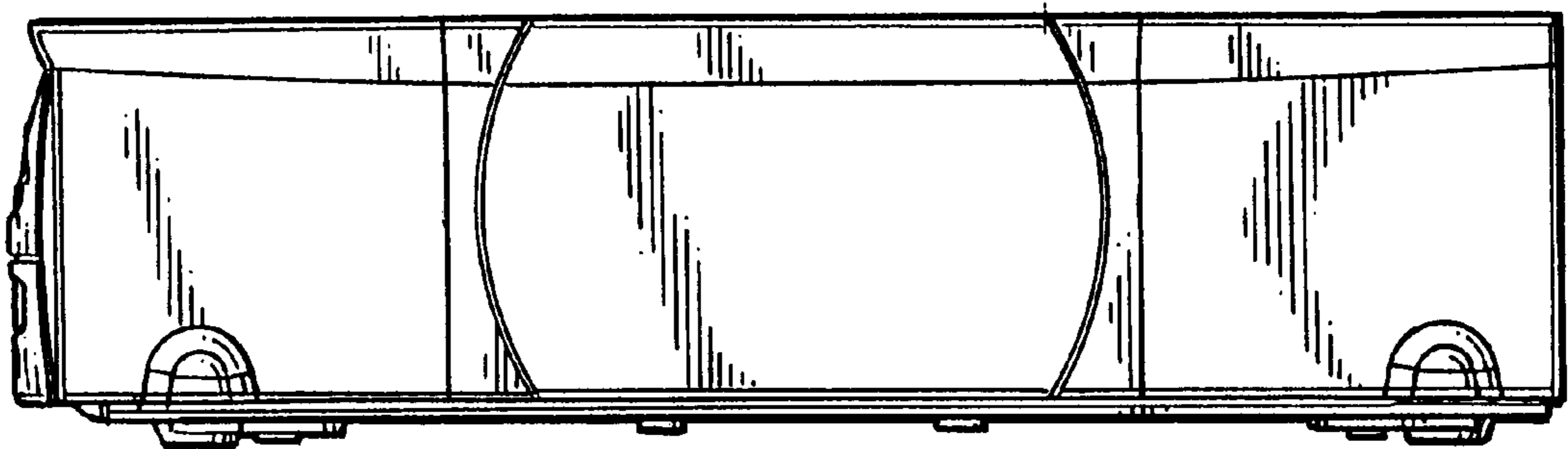


FIG. 5

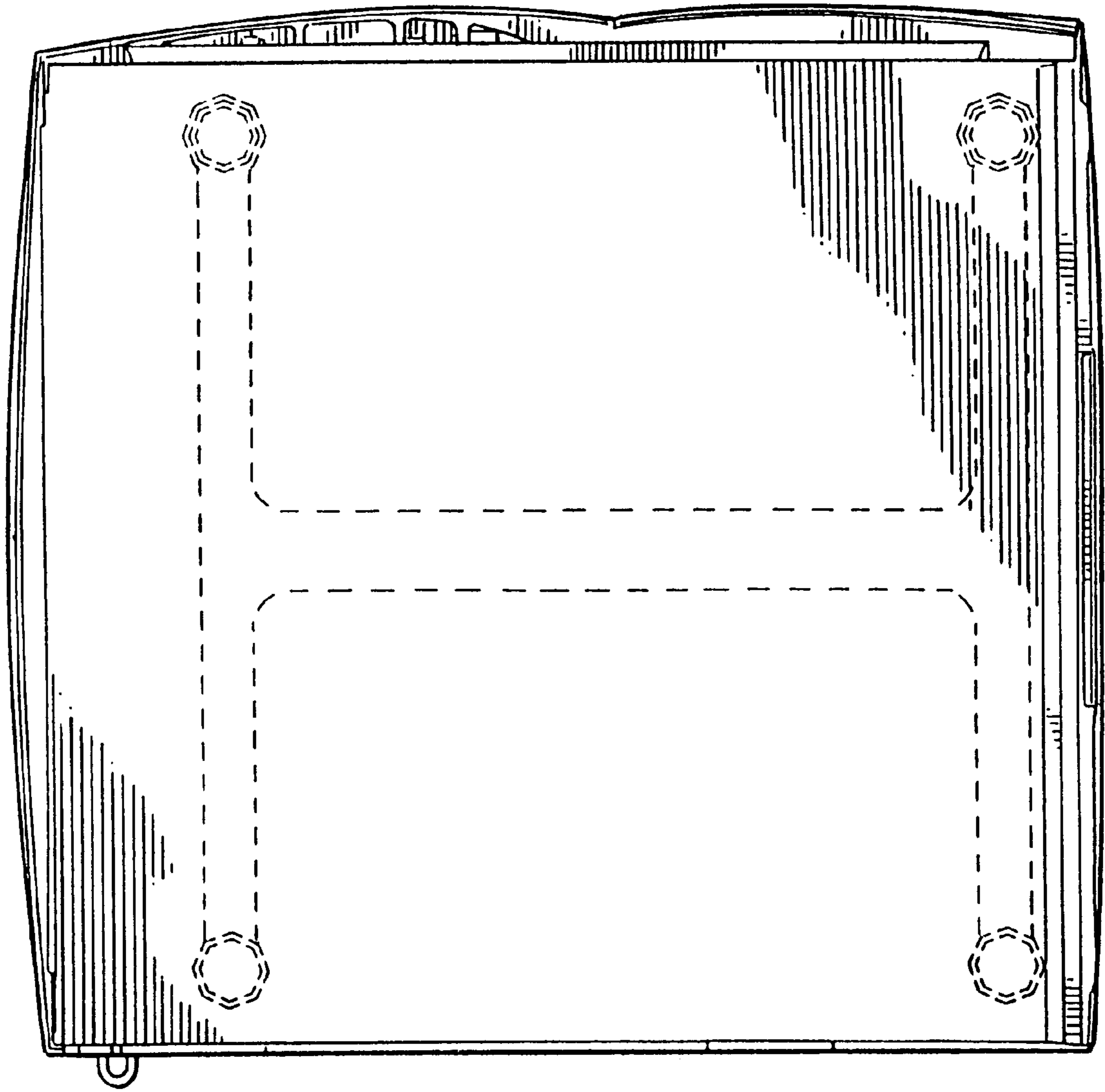


FIG. 6

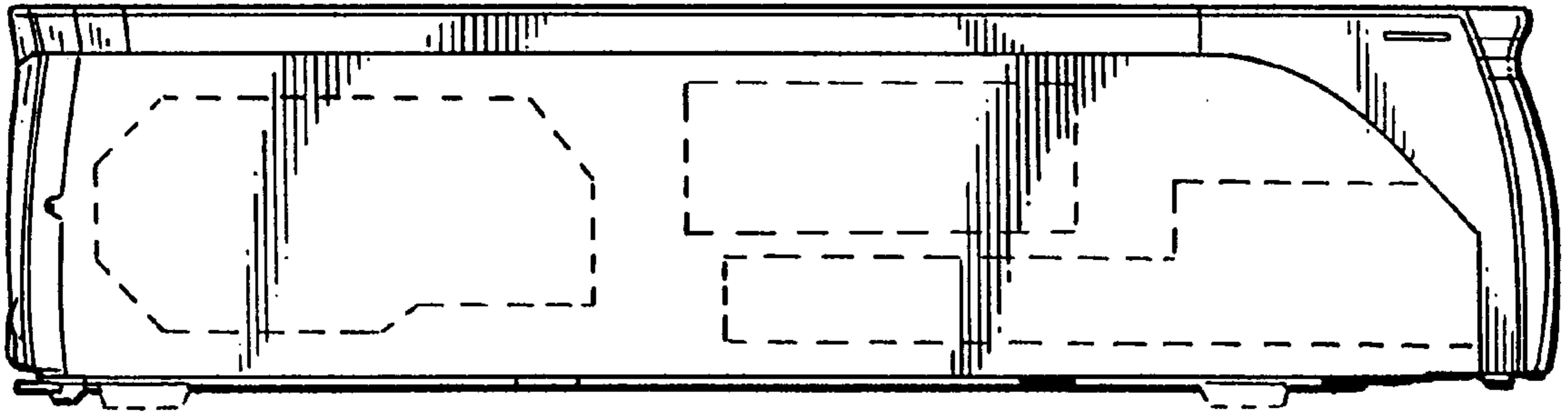


FIG. 7

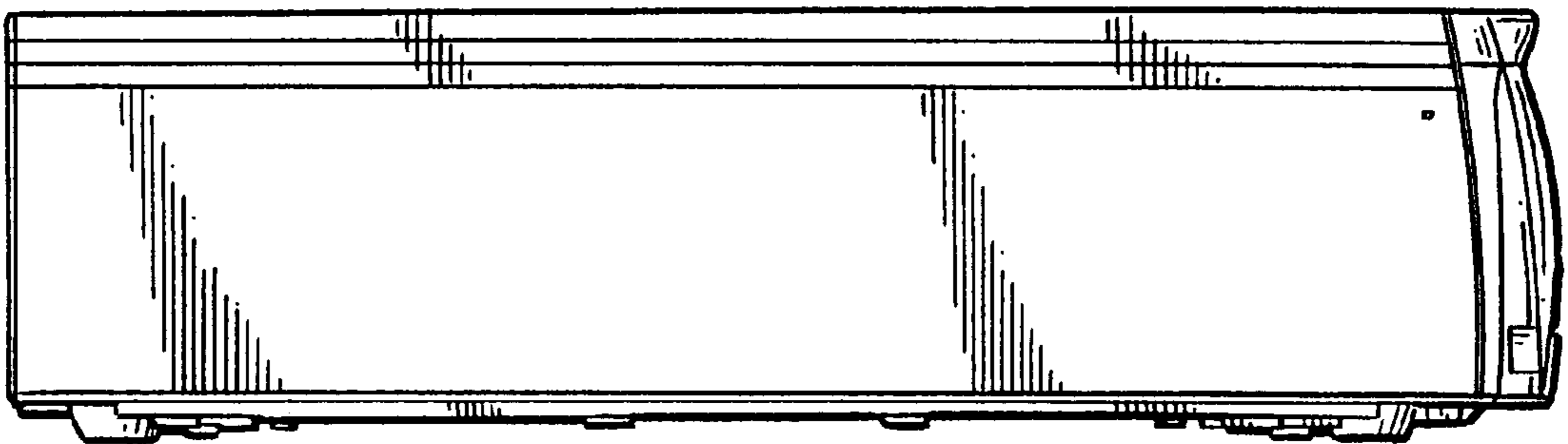


FIG. 8

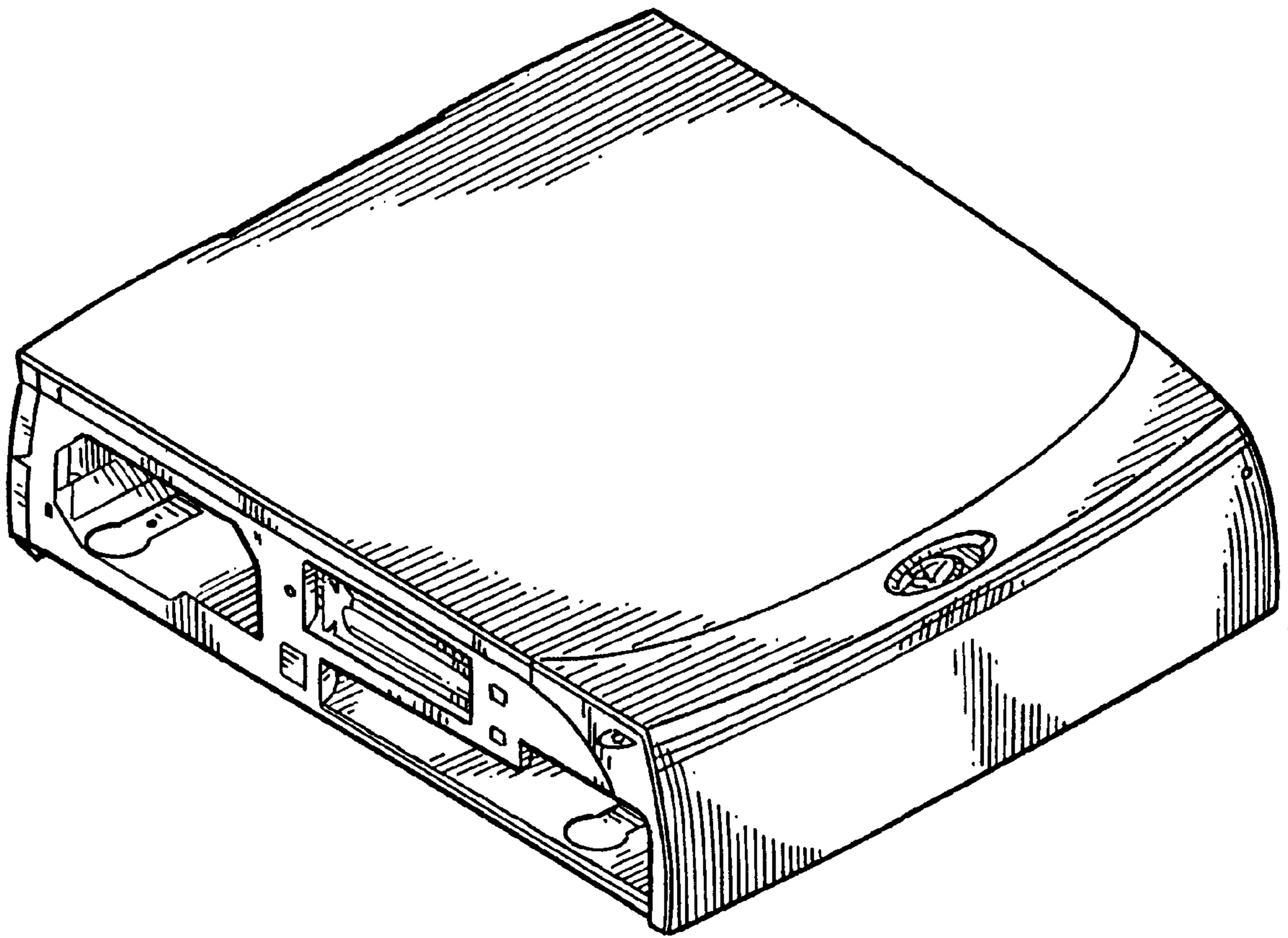


FIG. 9

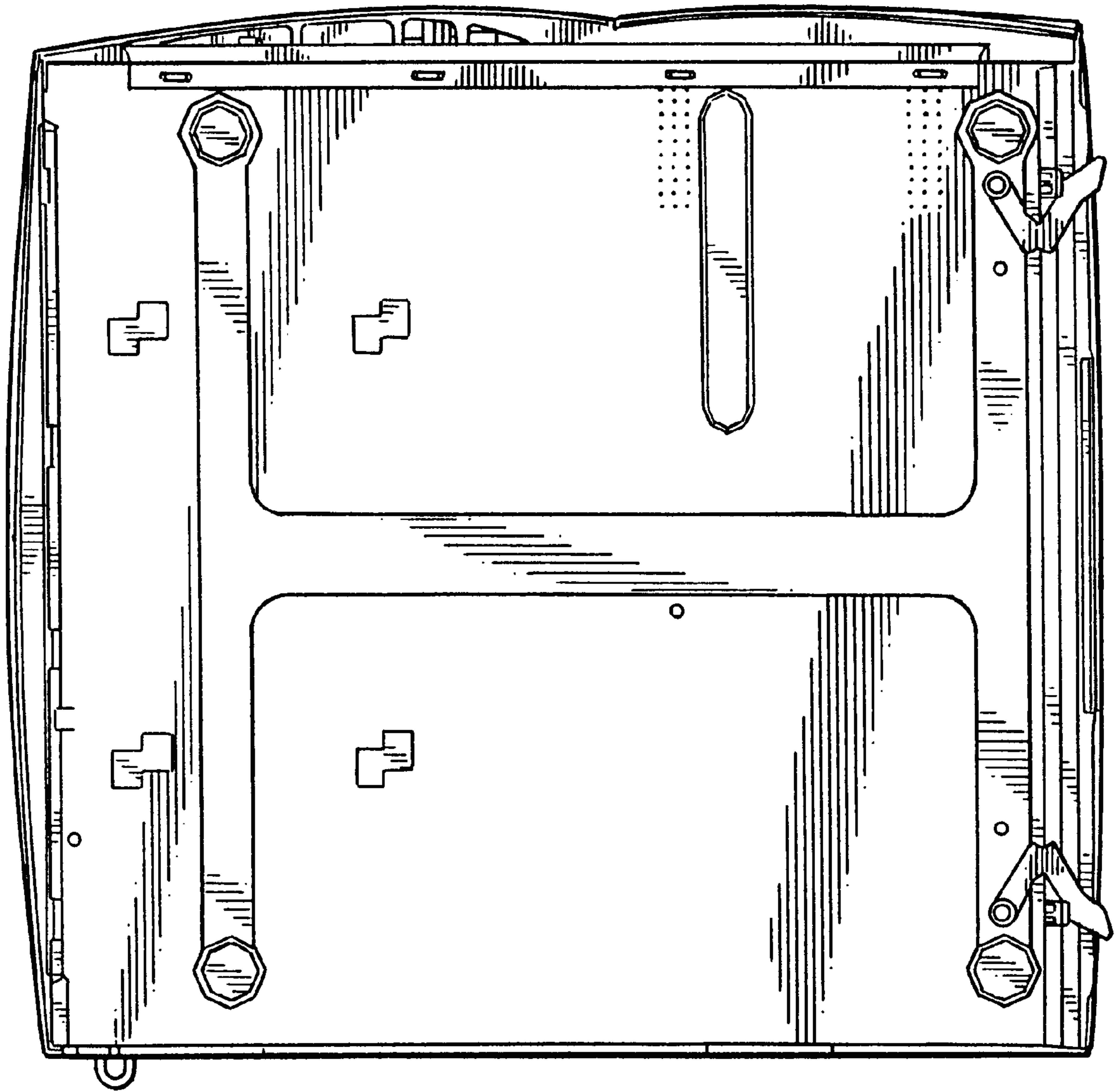


FIG. 10

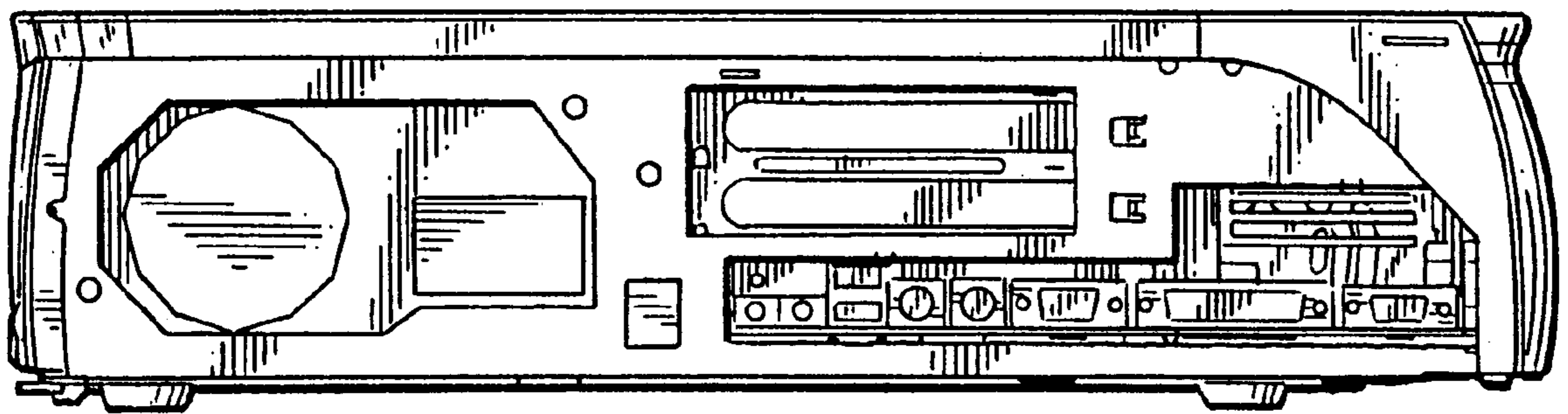


FIG. 11