



US00D413872S

United States Patent [19] Jessen

[11] **Patent Number: Des. 413,872**

[45] **Date of Patent: ** Sep. 14, 1999**

[54] **LAP TOP SUPPORT**

[75] Inventor: **Ulrich Jessen**, Bro, Sweden

[73] Assignee: **Jessen Produktion AB**, Bro, Sweden

[**] Term: **14 Years**

[21] Appl. No.: **29/084,184**

[22] Filed: **Feb. 26, 1998**

[51] **LOC (6) Cl.** **14-02**

[52] **U.S. Cl.** **D14/114**

[58] **Field of Search** D14/114, 100;
D6/449, 491, 445, 396, 512; 248/346.01,
346.03, 346.02, 917-24, 125.1, 127, 133,
177.1, 178.1, 179.1, 183.1, 188.1, 188.2;
361/679-85; D13/184, 199

[56] **References Cited**

U.S. PATENT DOCUMENTS

- D. 284,084 6/1986 Ferrara, Jr. D14/114
- D. 288,097 2/1987 Harter et al. D14/114
- D. 368,081 3/1996 Comley D14/114
- D. 375,298 11/1996 Calfee D14/114

- D. 392,958 3/1998 Gaete D14/114
- D. 395,640 5/1998 Goodman et al. D14/114
- D. 398,294 9/1998 Wilson D14/114

Primary Examiner—M. H. Tung
Attorney, Agent, or Firm—Young & Thompson

[57] **CLAIM**

The ornamental design for a lap top support, as shown and described.

DESCRIPTION

FIG. 1 is a front side perspective view of a lap top support in resting position, showing my new design, FIG. 2 is a back side perspective view of the lap top support in resting position, FIG. 3 is a front side perspective view in active position, FIG. 4 is a back side perspective view in active position, FIG. 5 is a front elevational view in active position, FIG. 6 is a back side elevational view in active position, FIG. 7 is a backside elevational view in resting position, FIG. 8 is a sectional view in resting position; and, FIG. 9 is a sectional view in active position.

1 Claim, 8 Drawing Sheets

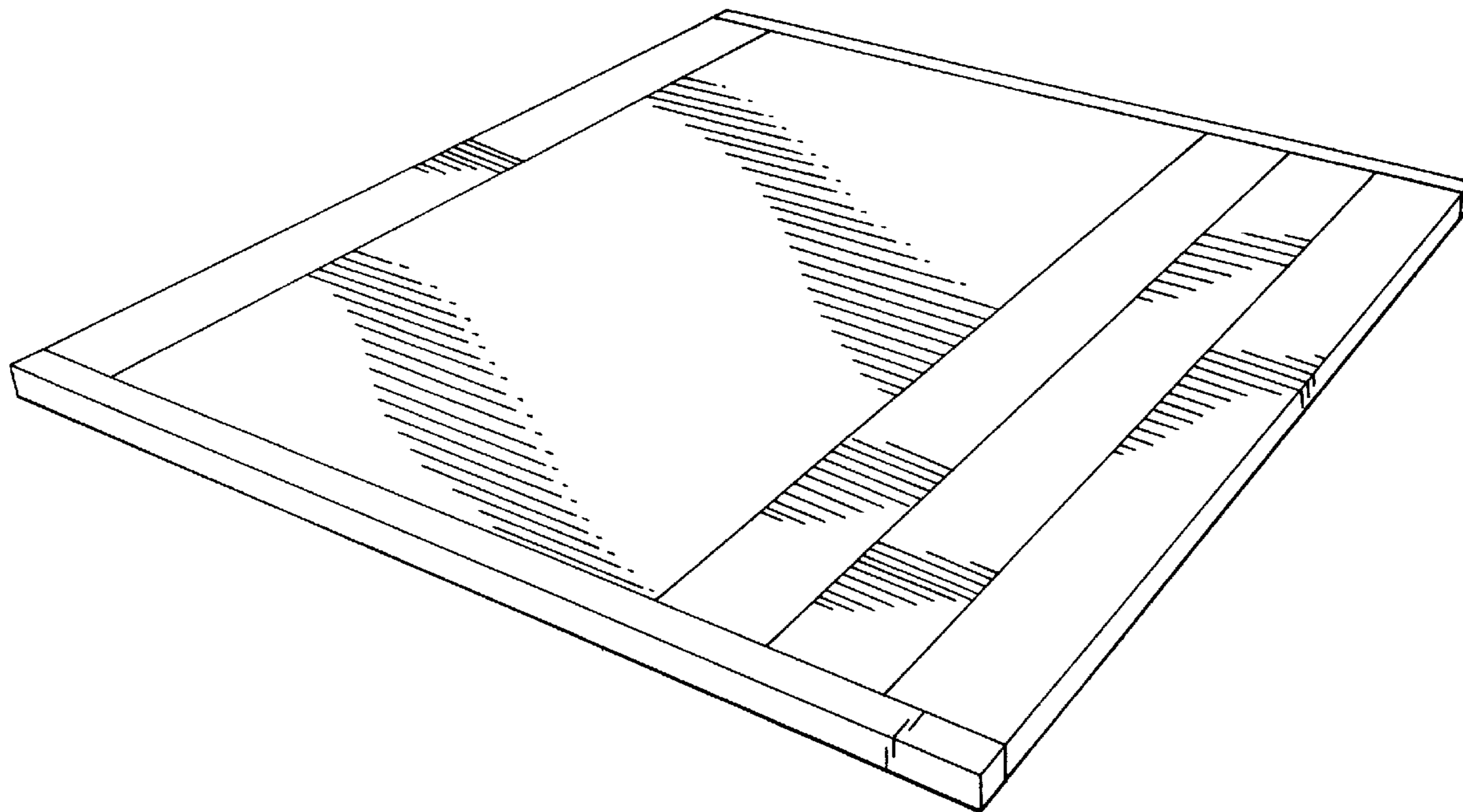


FIG. 1

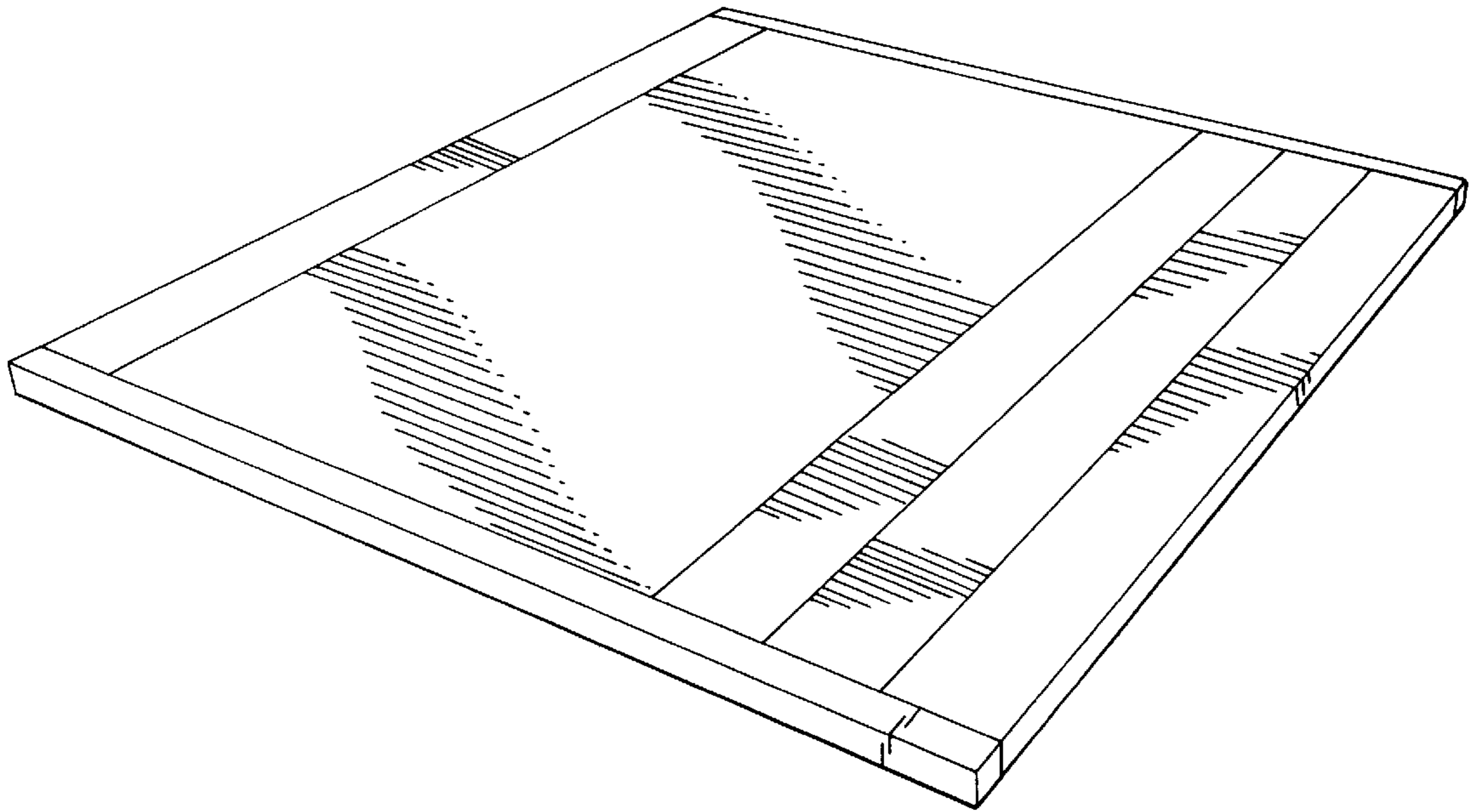


FIG. 2

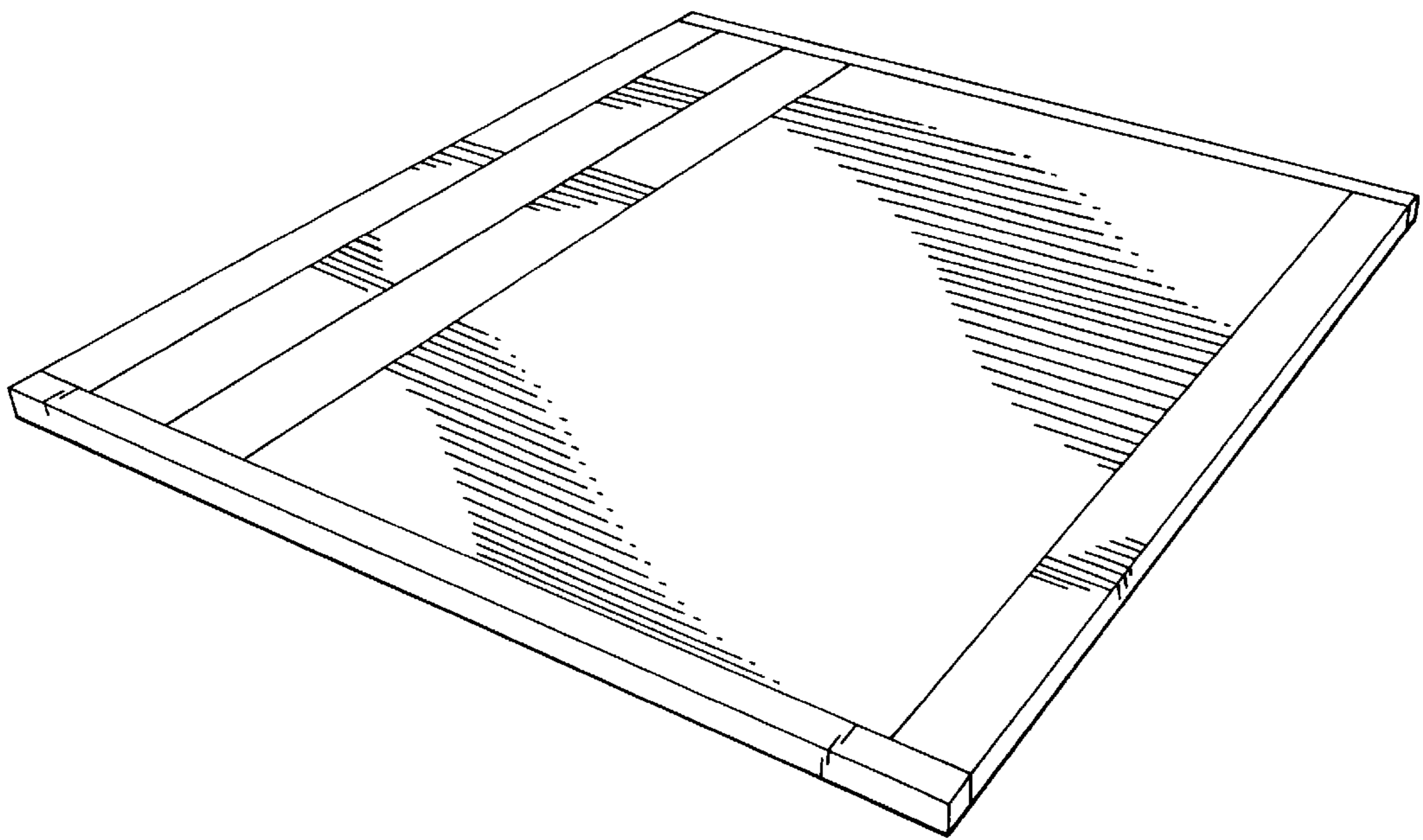


FIG. 3

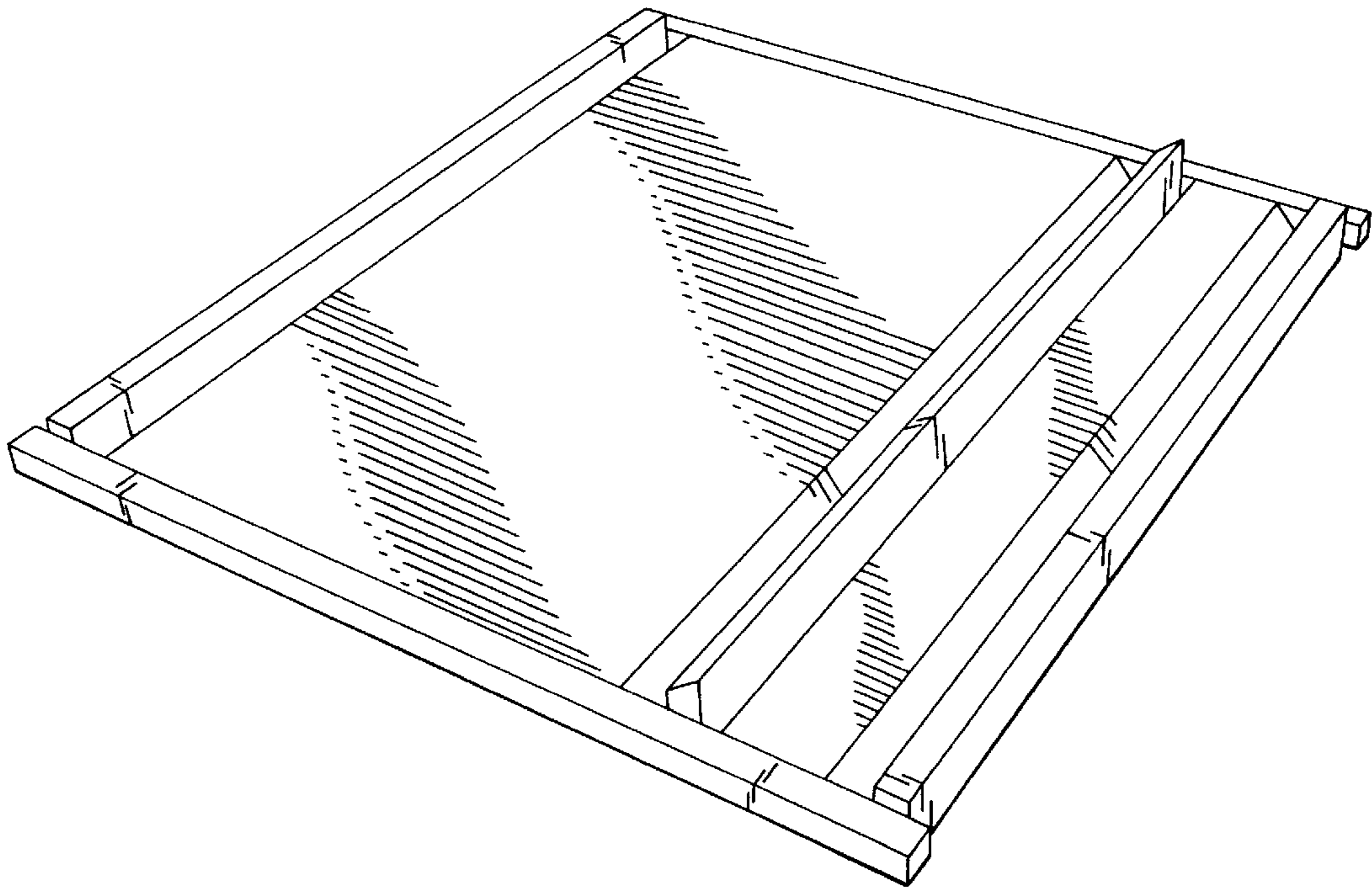
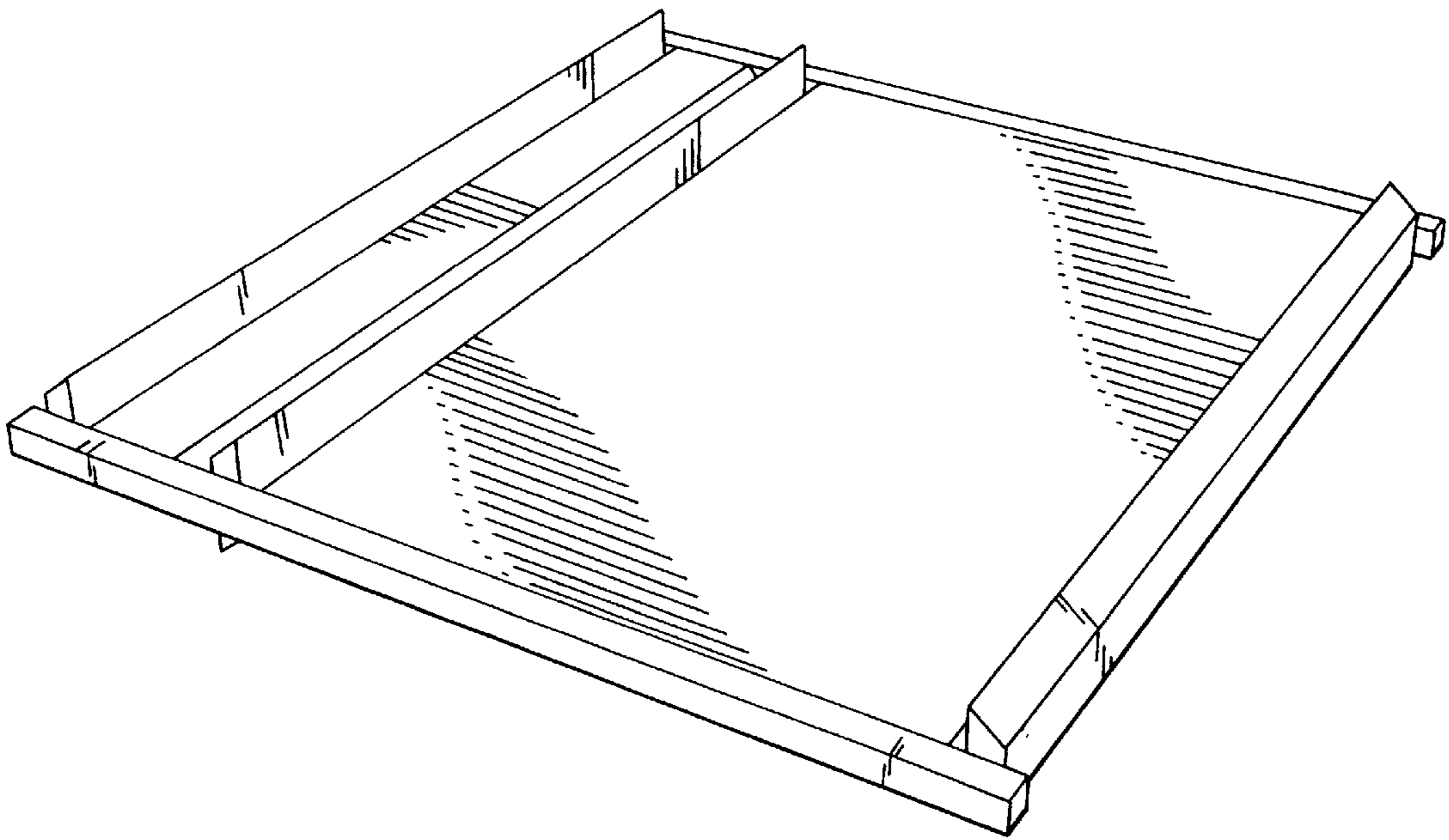


FIG. 4



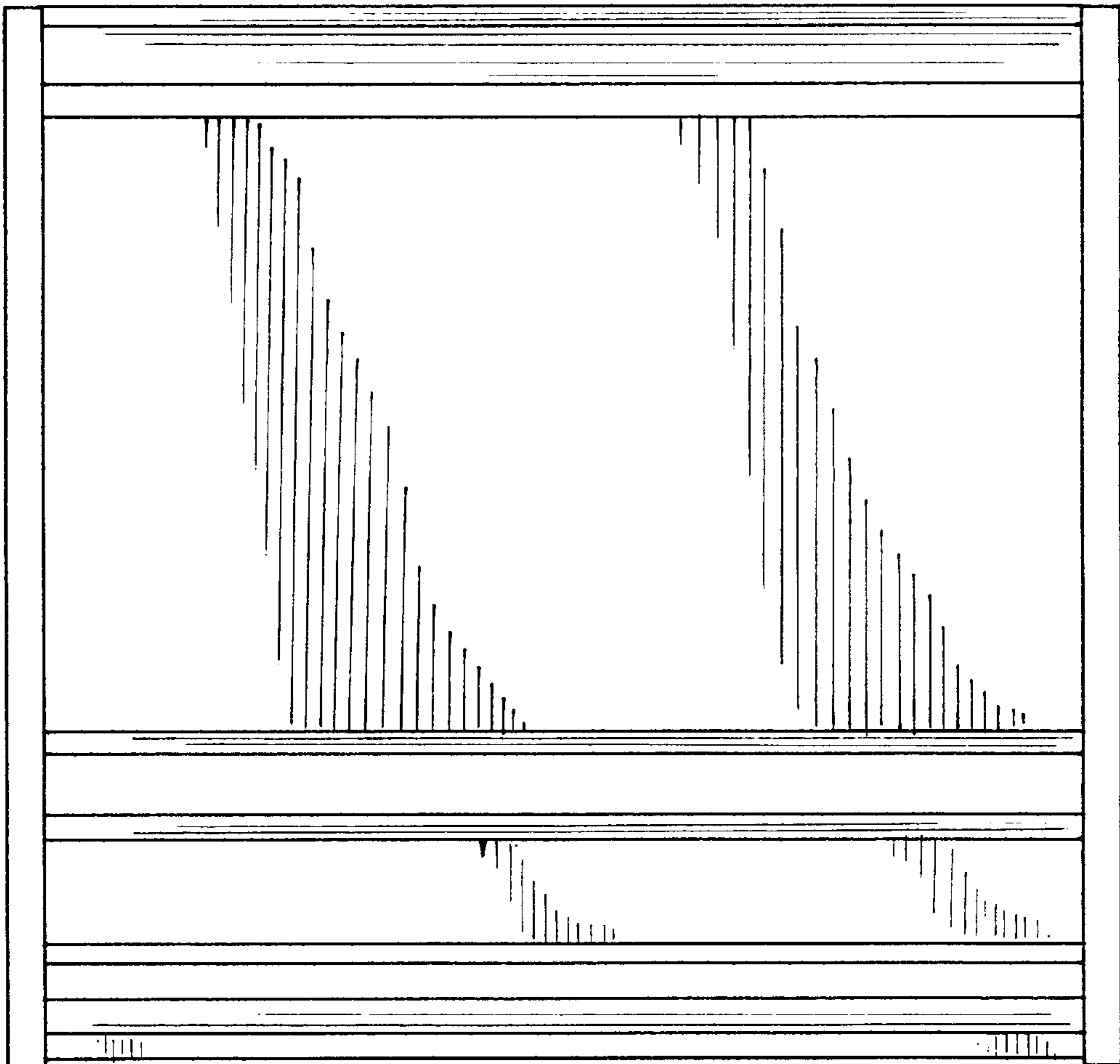


FIG. 5

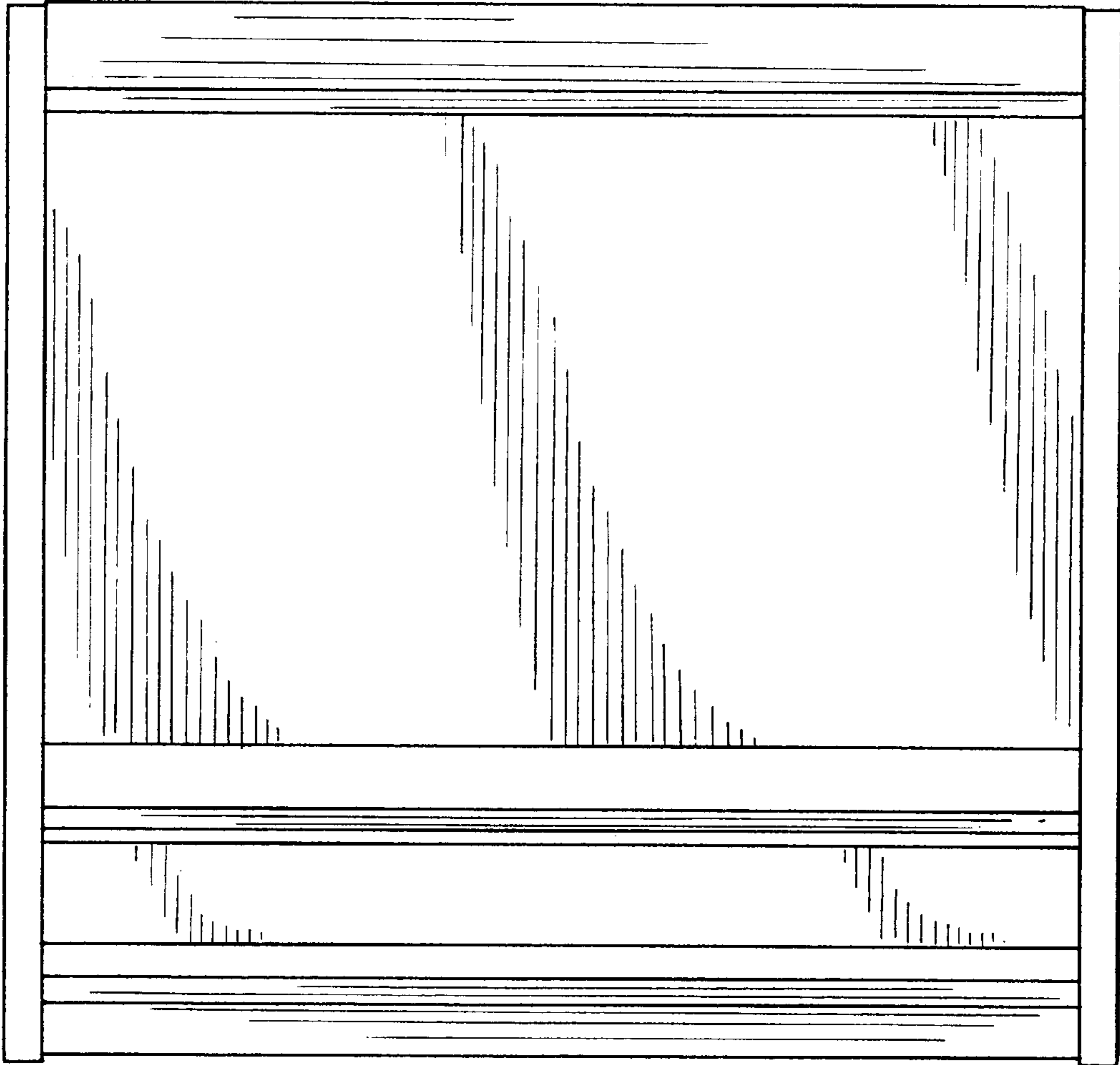


FIG. 6

FIG. 7

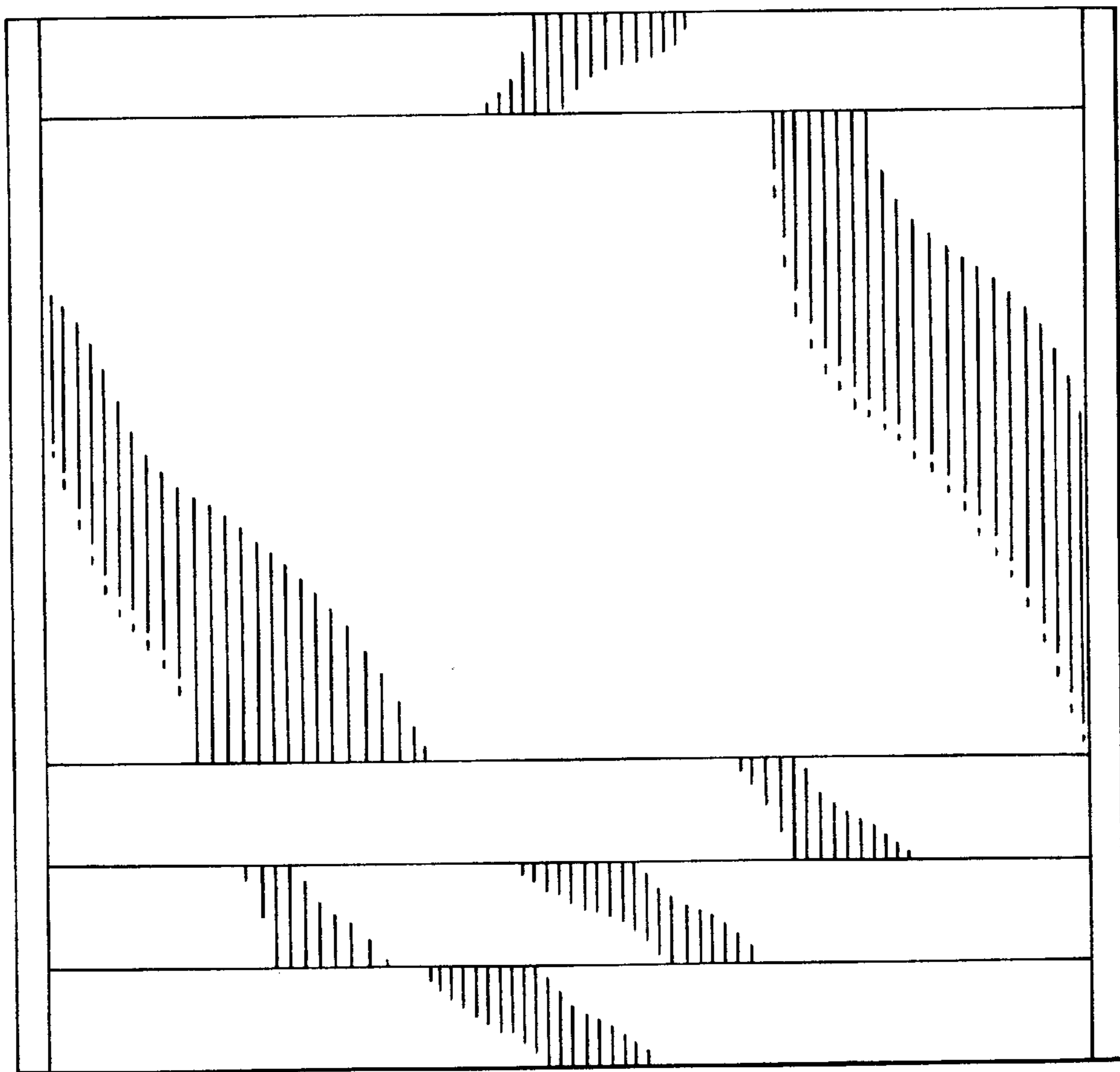


FIG. 8

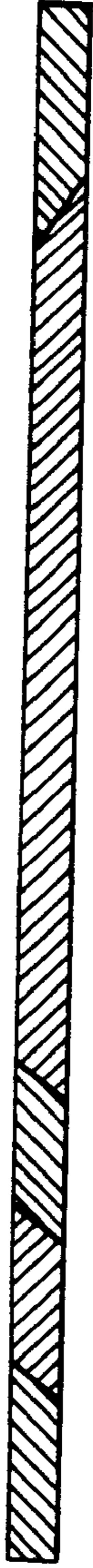


FIG. 9

