



US00D413871S

United States Patent [19]
McCormick

[11] **Patent Number: Des. 413,871**

[45] **Date of Patent: ** Sep. 14, 1999**

[54] **MARKER PEN PROBE**

[76] Inventor: **Erik J. McCormick**, 1727 N. 93rd St.,
Mesa, Ariz. 85207

[**] Term: **14 Years**

[21] Appl. No.: **29/082,378**

[22] Filed: **Nov. 3, 1997**

[51] **LOC (6) Cl.** **14-02**

[52] **U.S. Cl.** **D14/114**

[58] **Field of Search** D14/114; D19/41-51;
345/157, 179, 166; 250/201.8, 221, 203.1,
216; 346/140.1, 139 R, 139 C; 401/131-5,
258-60, 48; 33/18.1

[56] **References Cited**

U.S. PATENT DOCUMENTS

D. 322,064	12/1991	Chowdhree et al.	D14/114
D. 331,750	12/1992	Yang	D14/114
D. 349,490	8/1994	Barrett	D14/114
D. 352,703	11/1994	Mitcham et al.	D14/114
D. 389,131	1/1998	Nagaoka	D14/114
D. 395,875	7/1998	Aiken et al.	D14/114
3,064,888	11/1962	Van De Mark .		
3,120,924	2/1964	Van De Mark .		
4,128,889	12/1978	Ojima .		
4,768,040	8/1988	Pipkin .		
5,442,380	8/1995	McCormick .		
5,506,876	4/1996	Homer .		

Primary Examiner—M. H. Tung
Attorney, Agent, or Firm—John D. Lister

[57] **CLAIM**

The ornamental design for a marker pen probe, as shown and described.

DESCRIPTION

FIG. 1 is a perspective view of a first embodiment of the marker pen probe of the present invention.

FIG. 2 is a front elevation of the marker pen probe of FIG. 1. The rear elevation of the marker pen probe of FIG. 1 is identical to the front elevation.

FIG. 3 is a right side elevation of the marker pen probe of FIG. 1.

FIG. 4 is a left side elevation of the marker pen probe of FIG. 1.

FIG. 5 is a bottom view of the marker pen probe of FIG. 1.

FIG. 6 is a top view of the marker pen probe of FIG. 1.

FIG. 7 is a perspective view of a second embodiment of the marker pen probe of the present invention.

FIG. 8 is a left side elevation of the marker pen probe of FIG. 7. The right side elevation of the marker pen probe of FIG. 7 is identical to the left side elevation.

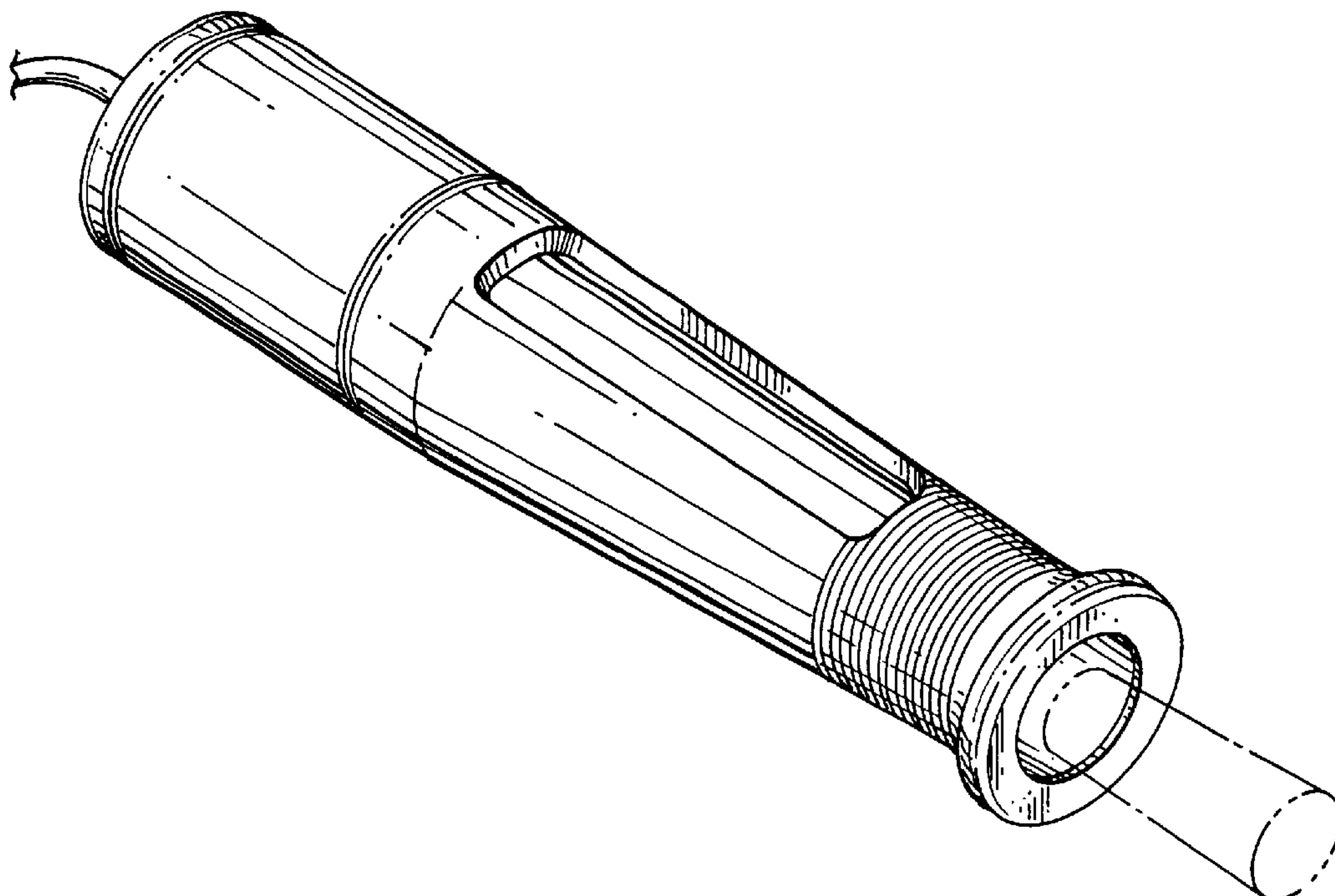
FIG. 9 is a front elevation of the marker pen probe of FIG. 7.

FIG. 10 is a rear elevation of the marker pen probe of FIG. 7.

FIG. 11 is a bottom view of the marker pen probe of FIG. 7; and,

FIG. 12 is a top view of the marker pen probe of FIG. 7. The broken line drawing in FIGS. 1-5 and 7-11 is for illustrative purposes only and forms no part of the claimed design.

1 Claim, 2 Drawing Sheets



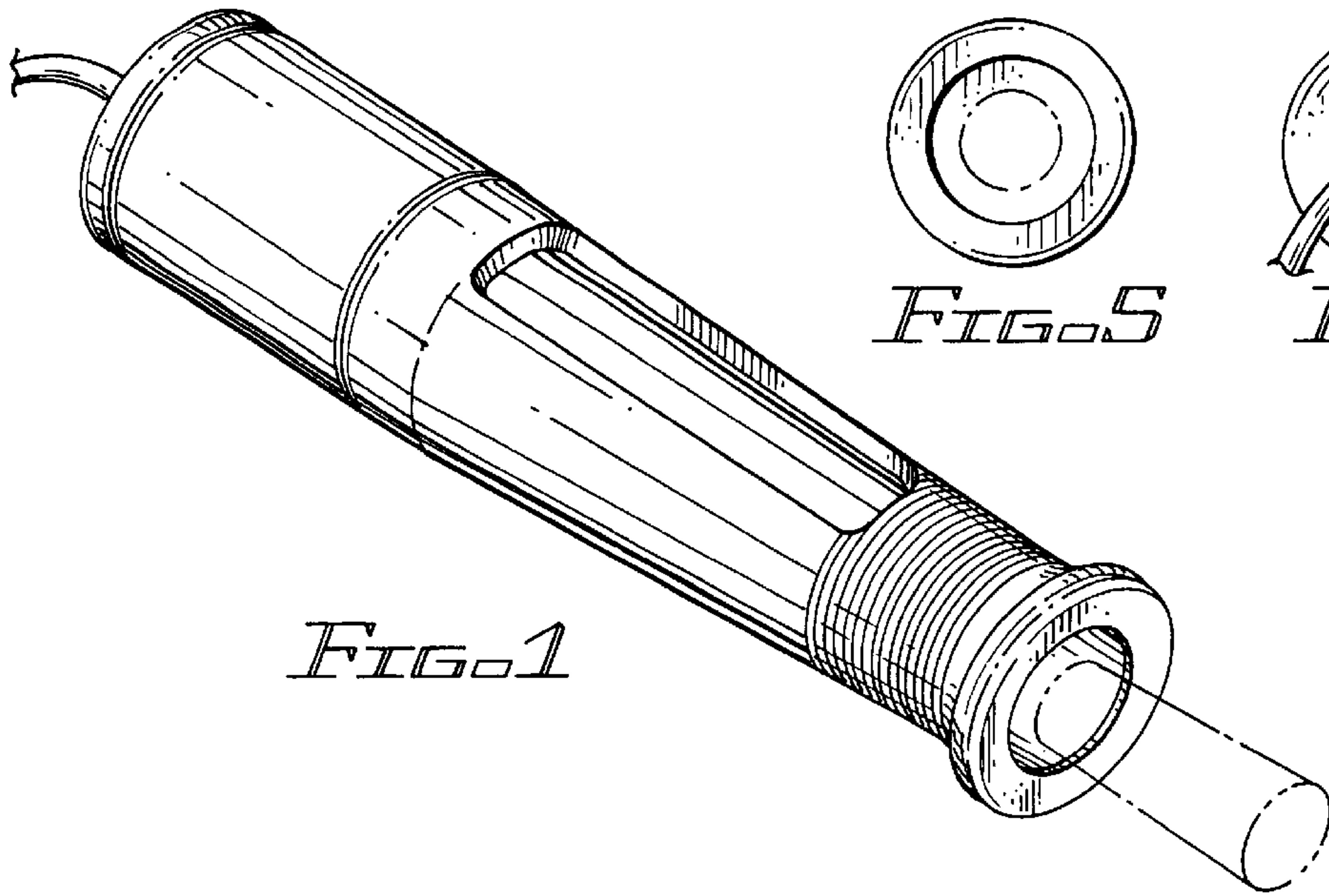


FIG. 1

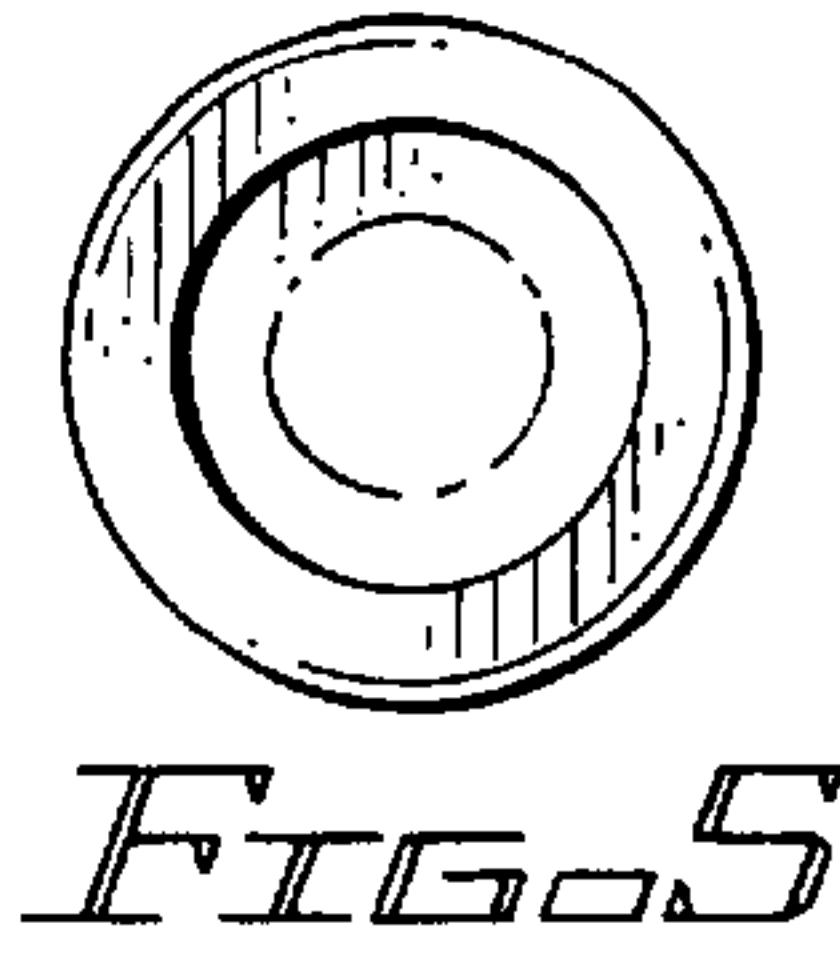


FIG. 5

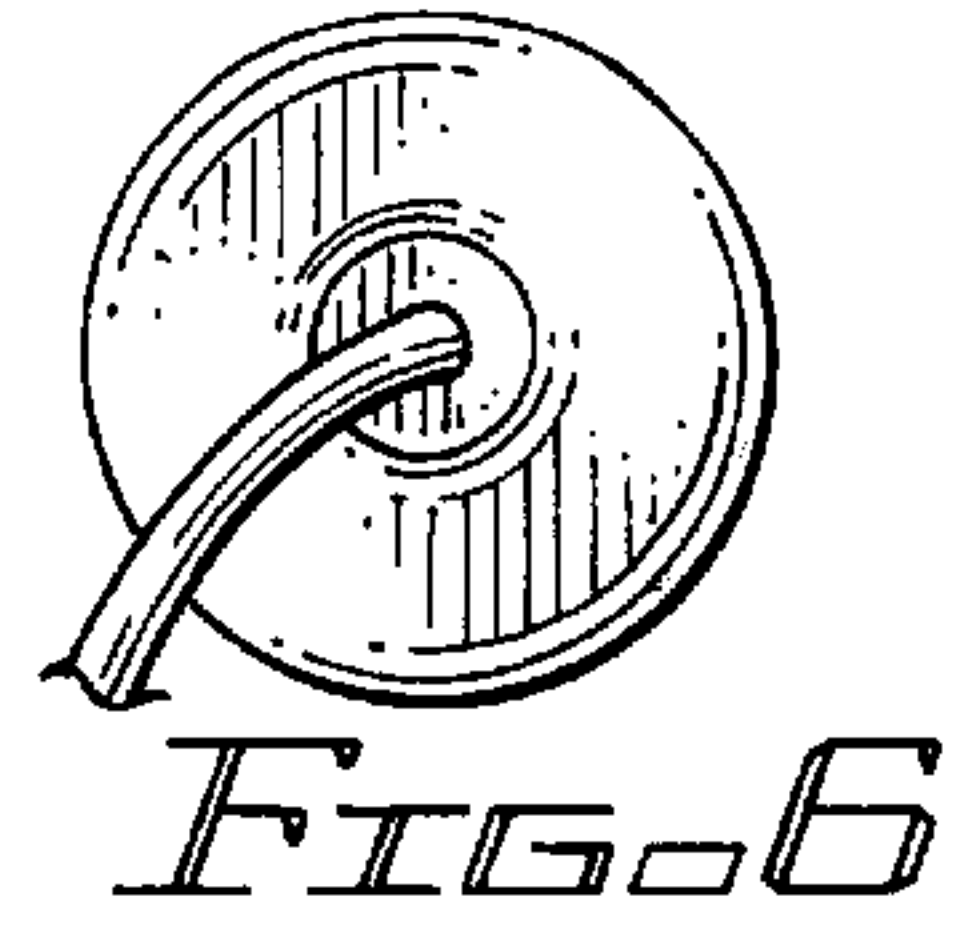


FIG. 6

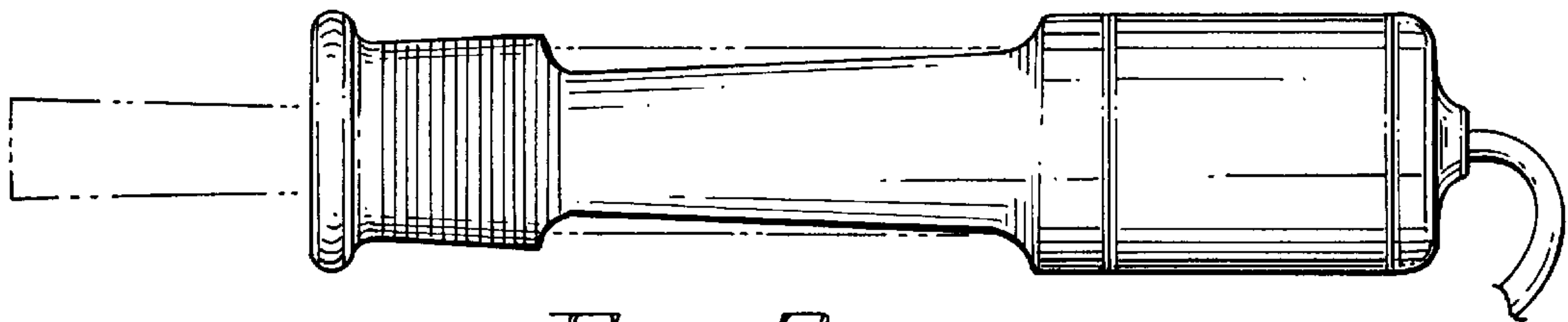


FIG. 2

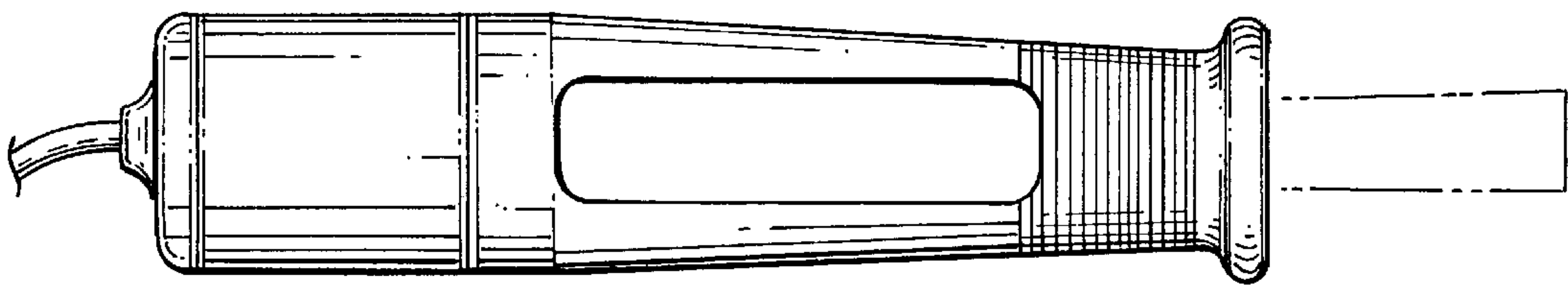


FIG. 3

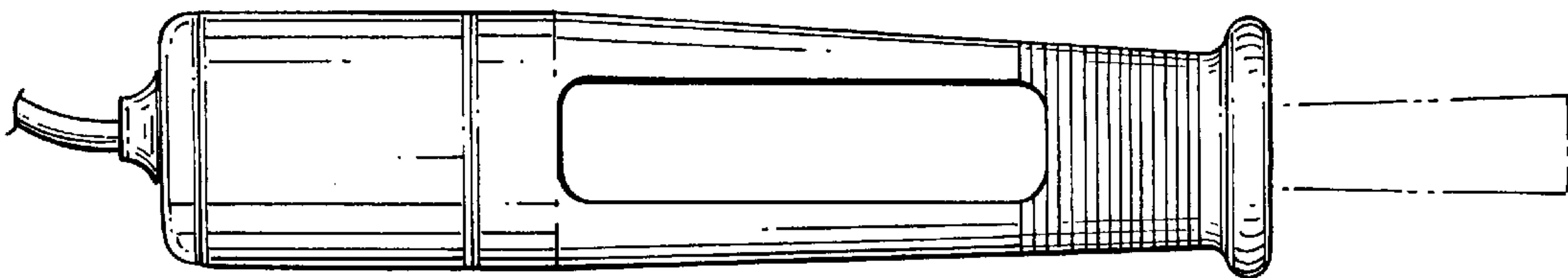


FIG. 4

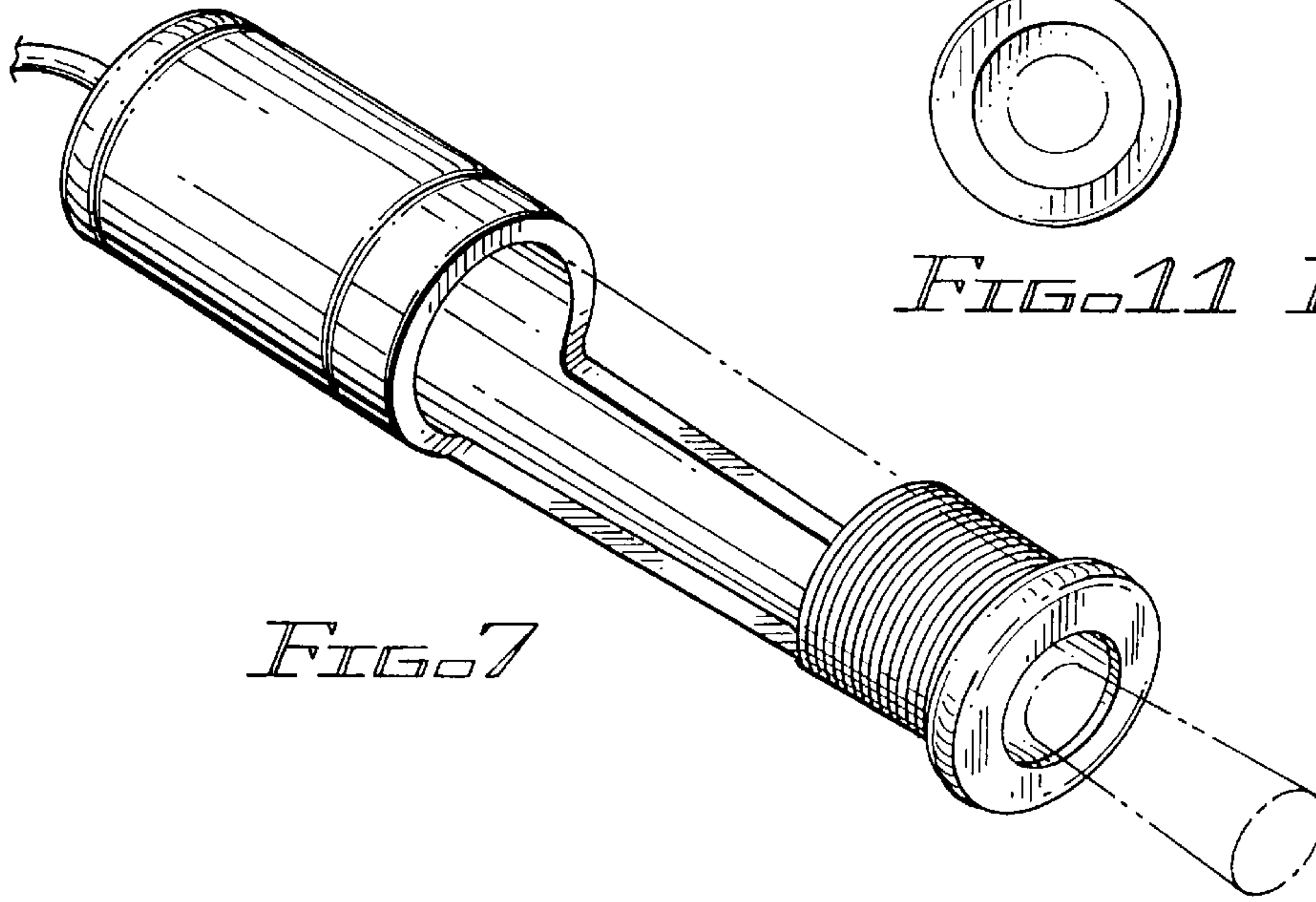


FIG. 7

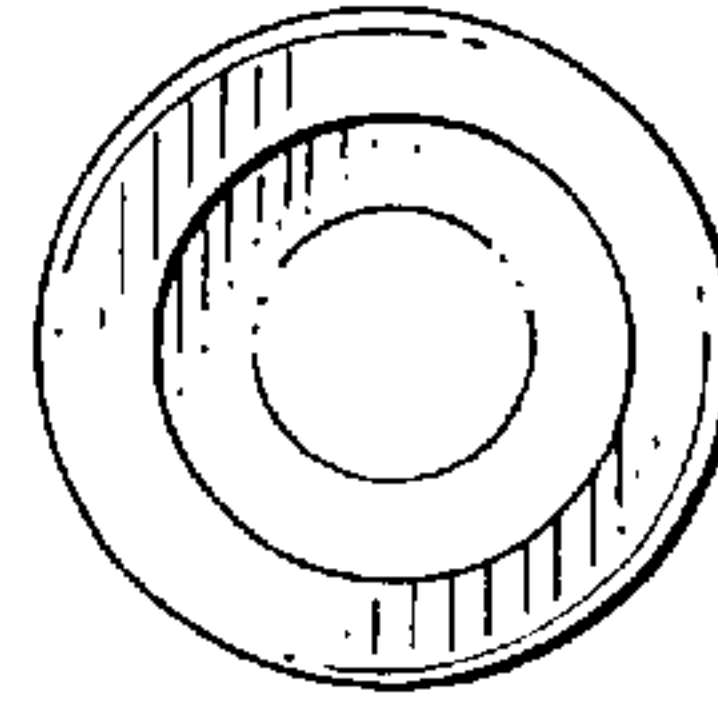


FIG. 11

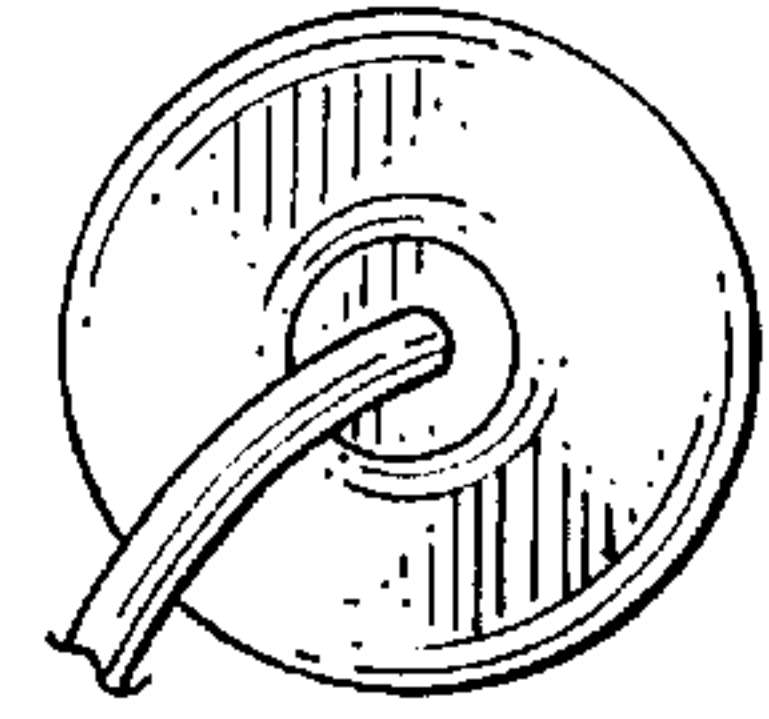


FIG. 12

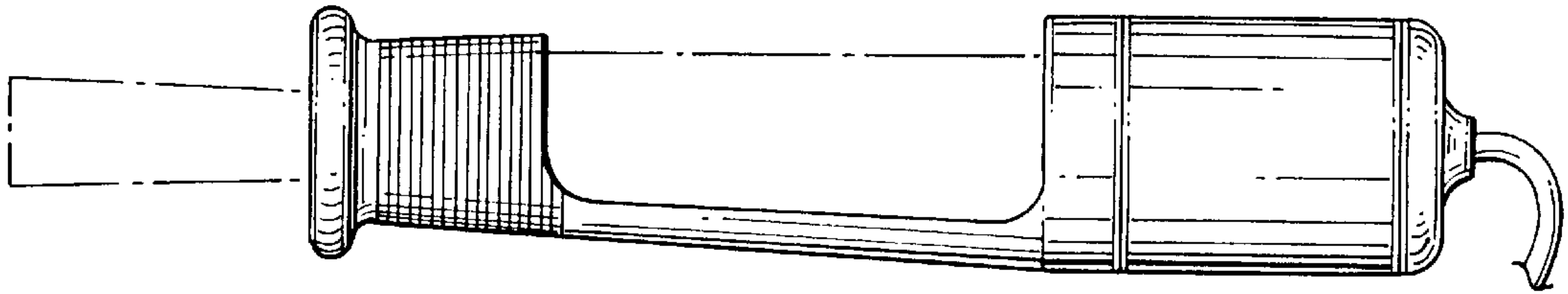


FIG. 8

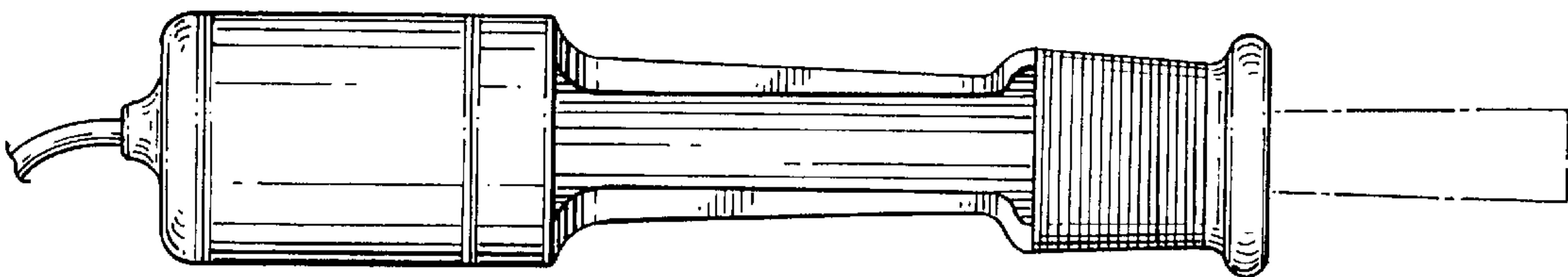


FIG. 9

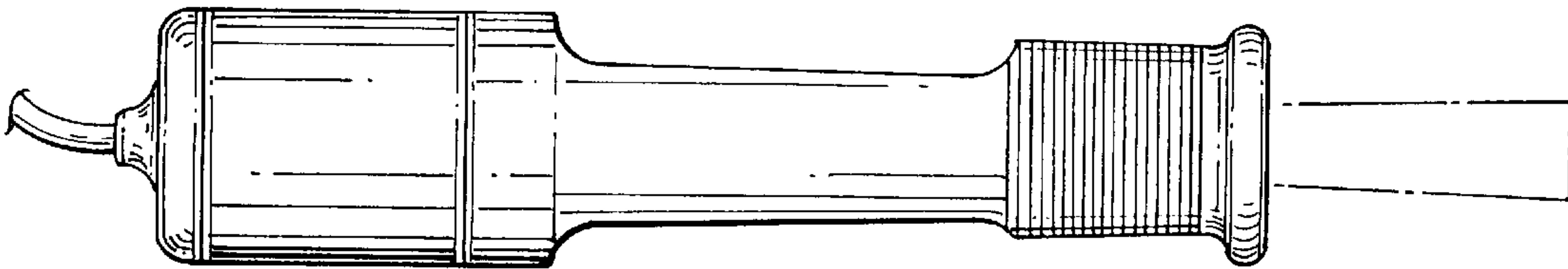


FIG. 10