



US00D413868S

# United States Patent [19] Hesselbach

[11] **Patent Number: Des. 413,868**

[45] **Date of Patent: \*\* Sep. 14, 1999**

[54] **STAND-ALONE CARD TERMINAL**

D. 378,082 2/1997 Wilson ..... D14/100  
D. 397,678 9/1998 Edelmann et al. .... D14/100

[75] Inventor: **Udo Hesselbach**, Bueren, Germany

*Primary Examiner*—Freda Nunn  
*Attorney, Agent, or Firm*—Hill & Simpson

[73] Assignee: **Siemens Nixdorf Informationssysteme AG**, Paderborn, Germany

[57] **CLAIM**

[\*\*] Term: **14 Years**

The ornamental design for a stand-alone card terminal, as shown and described.

[21] Appl. No.: **29/094,864**

**DESCRIPTION**

[22] Filed: **Oct. 13, 1998**

[30] **Foreign Application Priority Data**

Apr. 17, 1998 [DM] Dominica ..... DM/043725

FIG. 1 is a perspective view taken from the upper front of a stand-alone card terminal according to the present invention;

[51] **LOC (6) Cl.** ..... **14-02**

FIG. 2 is a top view of the stand-alone card terminal;

[52] **U.S. Cl.** ..... **D14/105; D14/107**

FIG. 3 is a bottom view of the stand-alone card terminal;

[58] **Field of Search** ..... D14/100, 105, D14/107-109; D13/162, 184, 199; 235/454, 470, 380, 382, 382.5, 476, 482; D18/36, 37, 39; 250/556; 355/64, 65, 75, 81

FIG. 4 is a side elevational view of the right side of the stand-alone card terminal;

FIG. 5 is a side elevational view of the left side of the stand-alone card terminal;

[56] **References Cited**

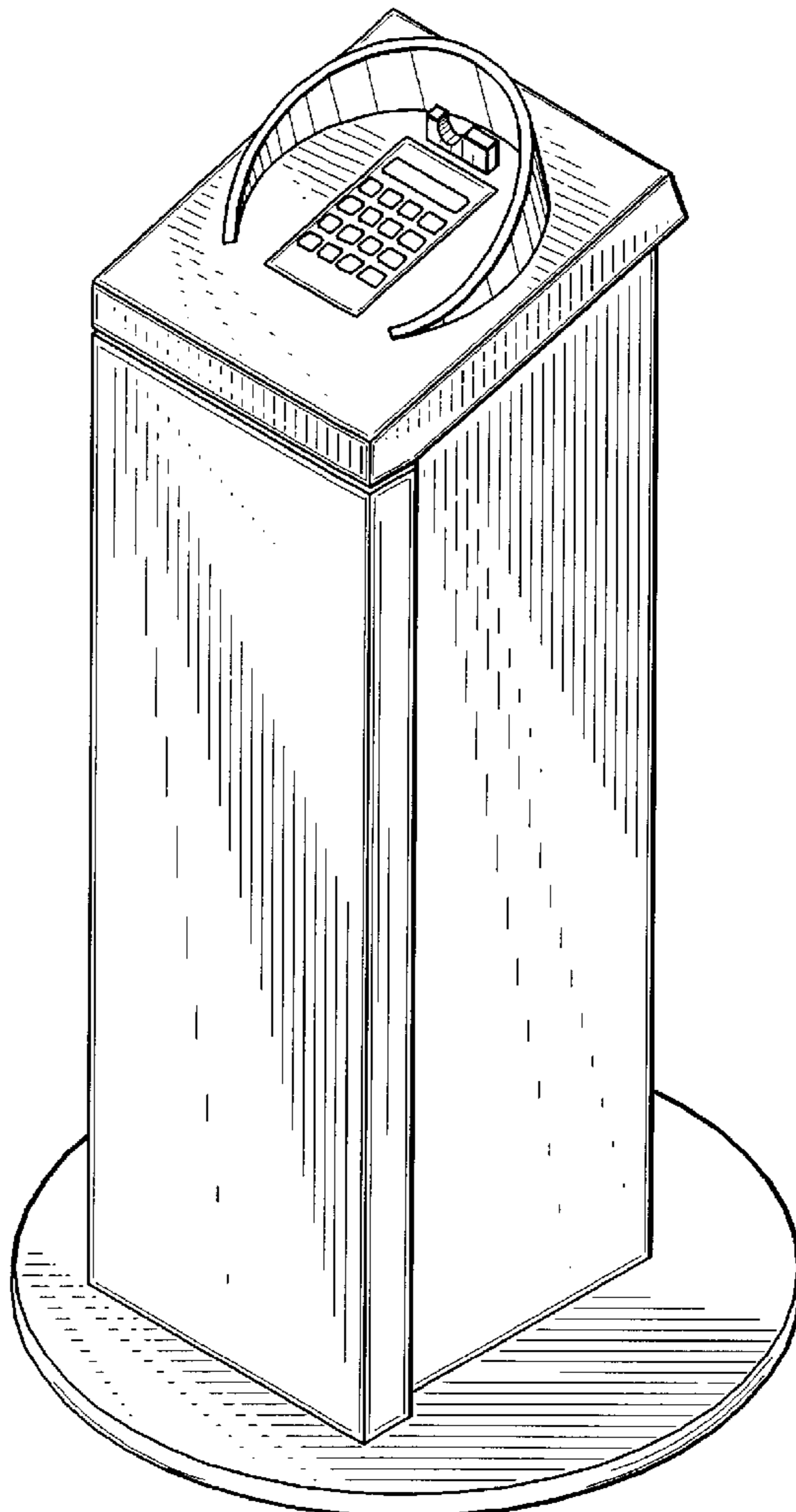
FIG. 6 is a front elevational view of the stand-alone card terminal; and,

**U.S. PATENT DOCUMENTS**

FIG. 7 is a back elevational view of the stand-alone card terminal.

D. 287,594 1/1987 Perissinotto ..... D14/105

**1 Claim, 3 Drawing Sheets**



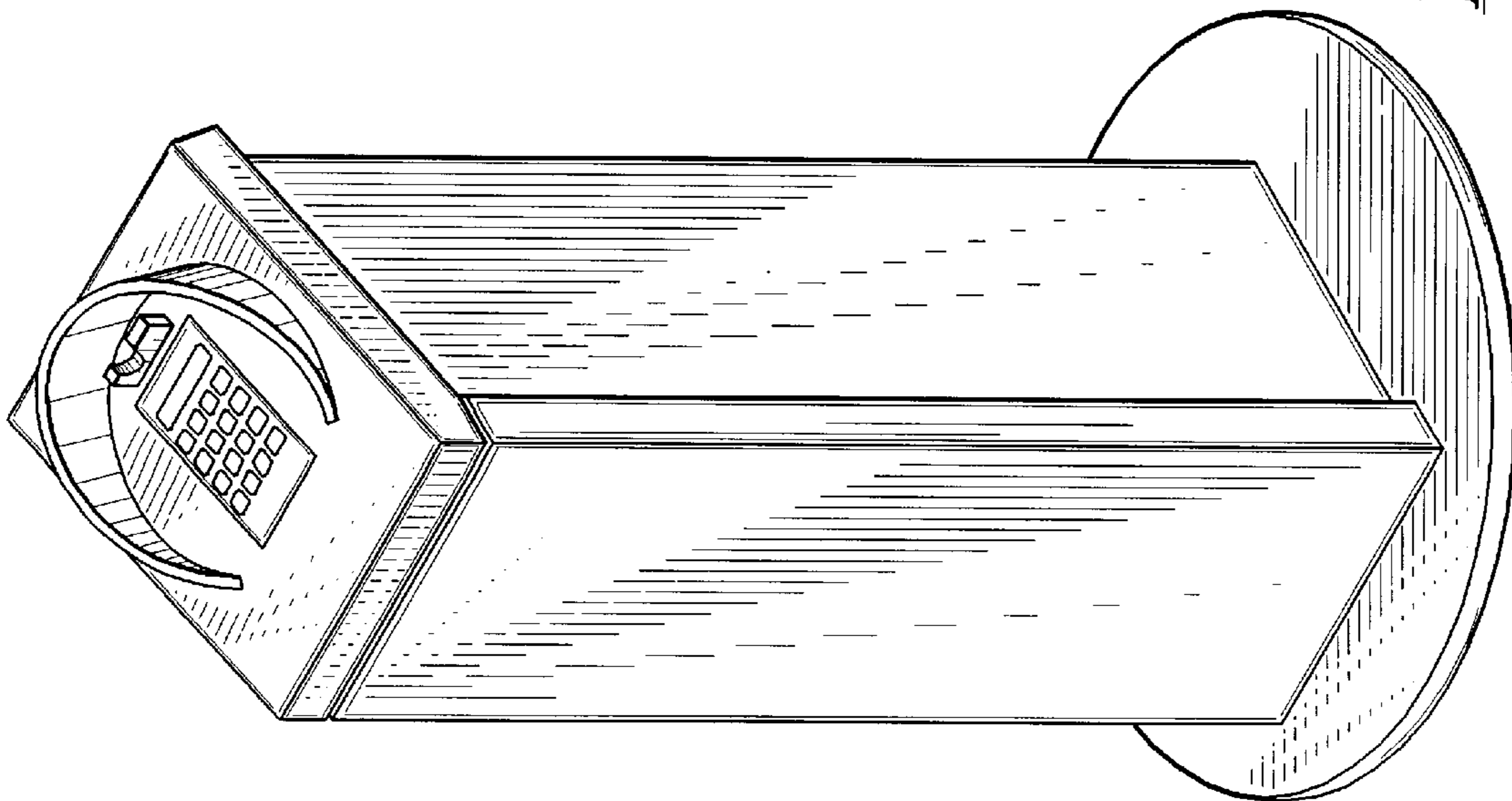


FIG. 1

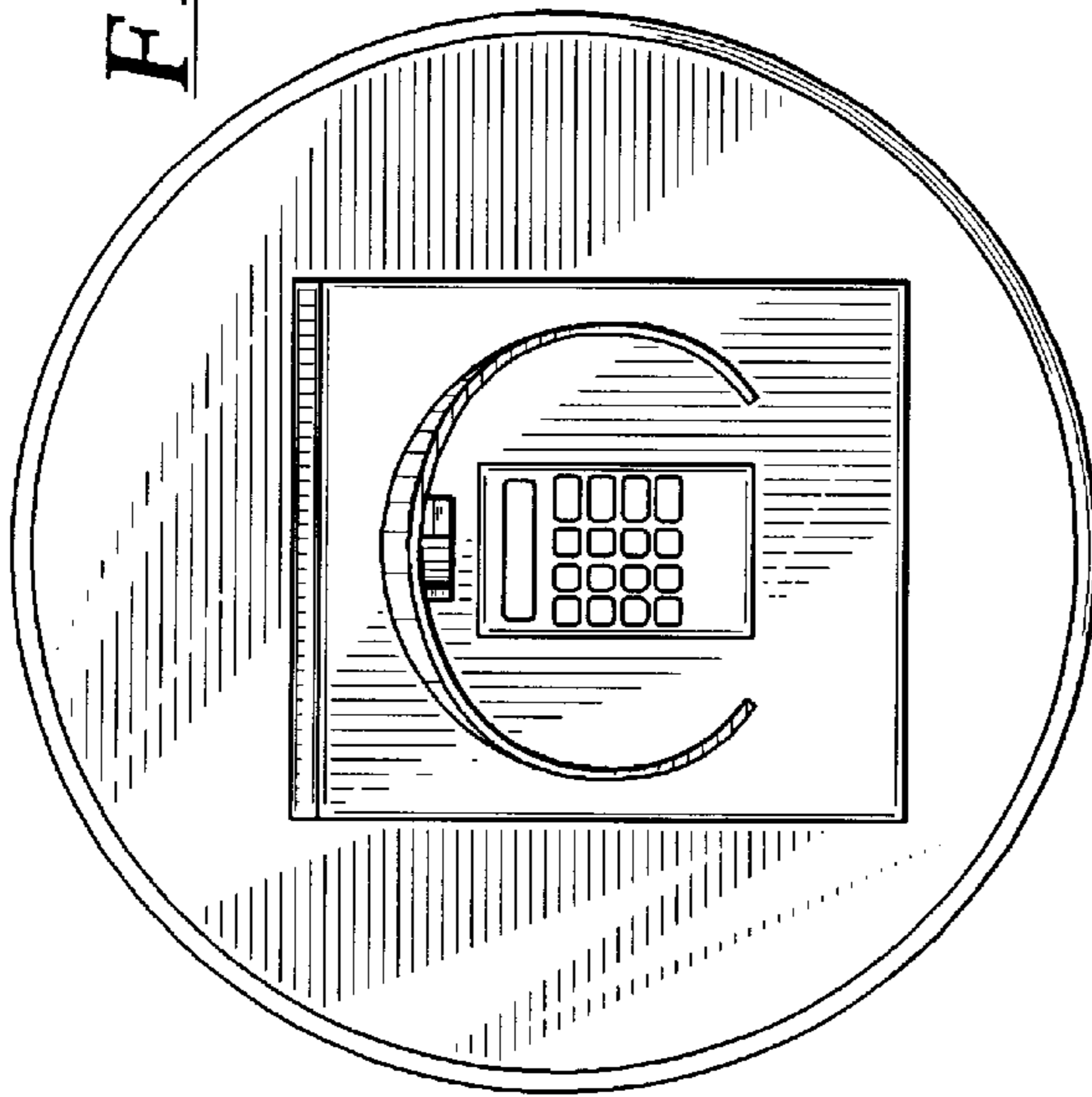


FIG. 2

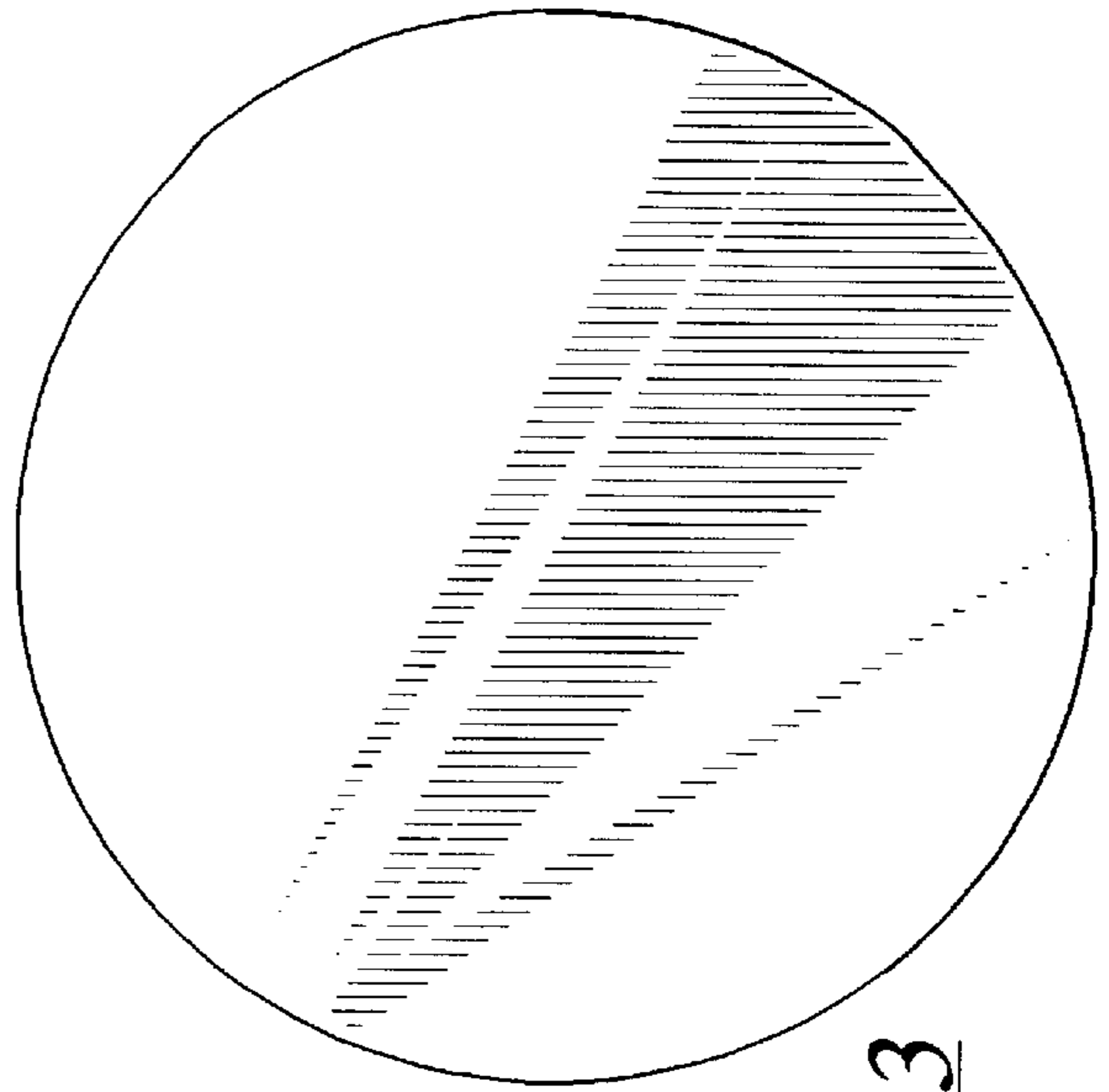


FIG. 3

FIG. 5

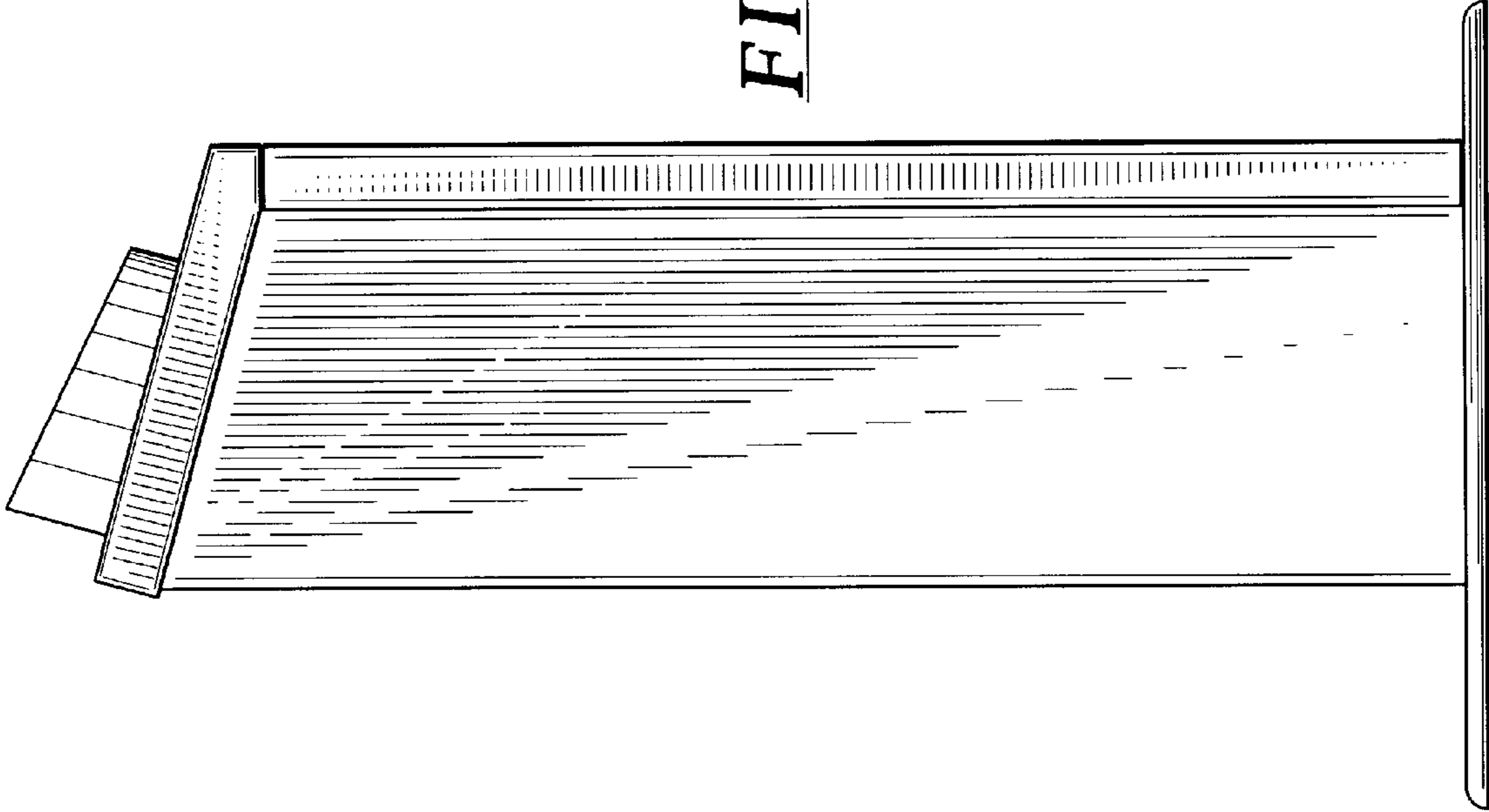


FIG. 4

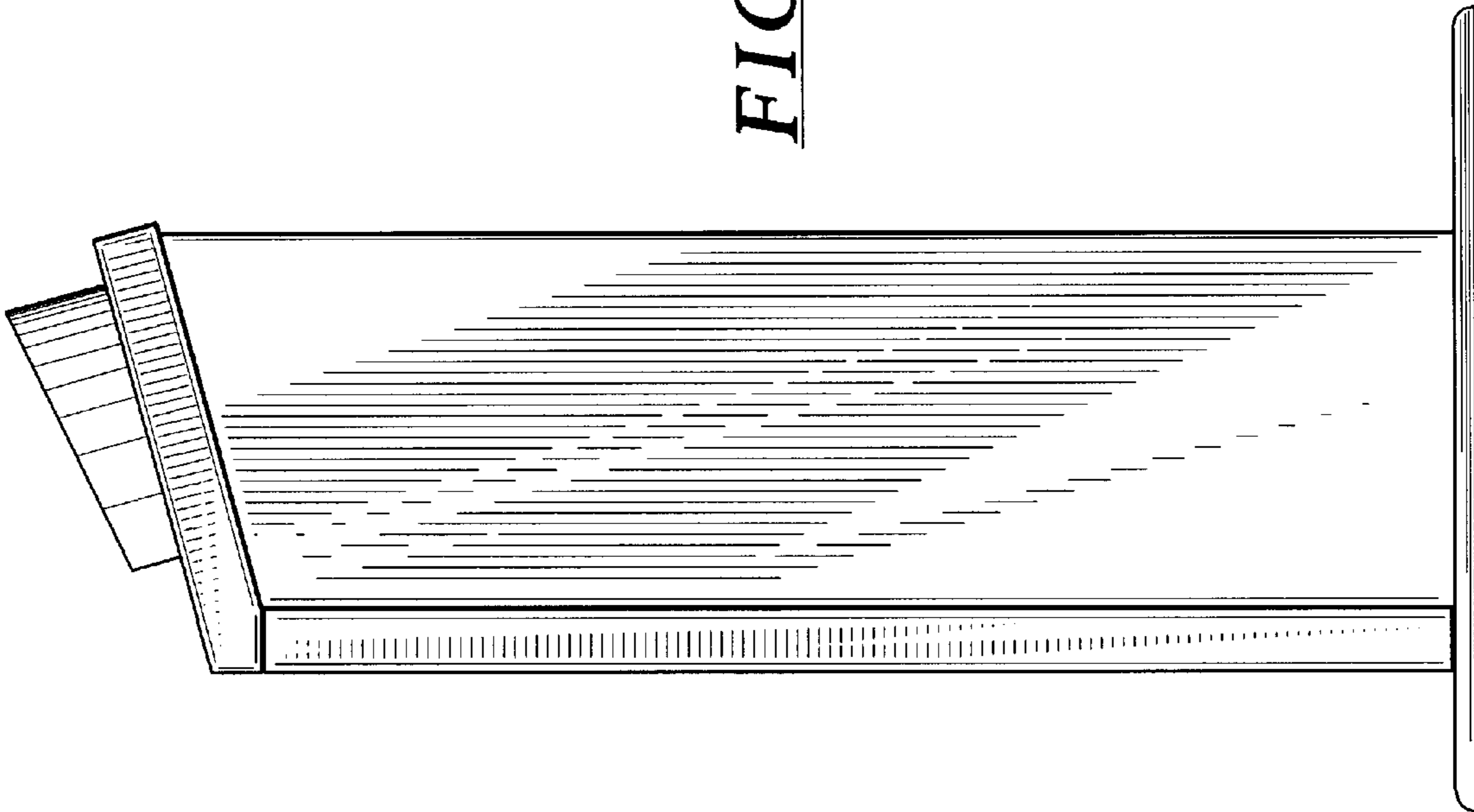


FIG. 7

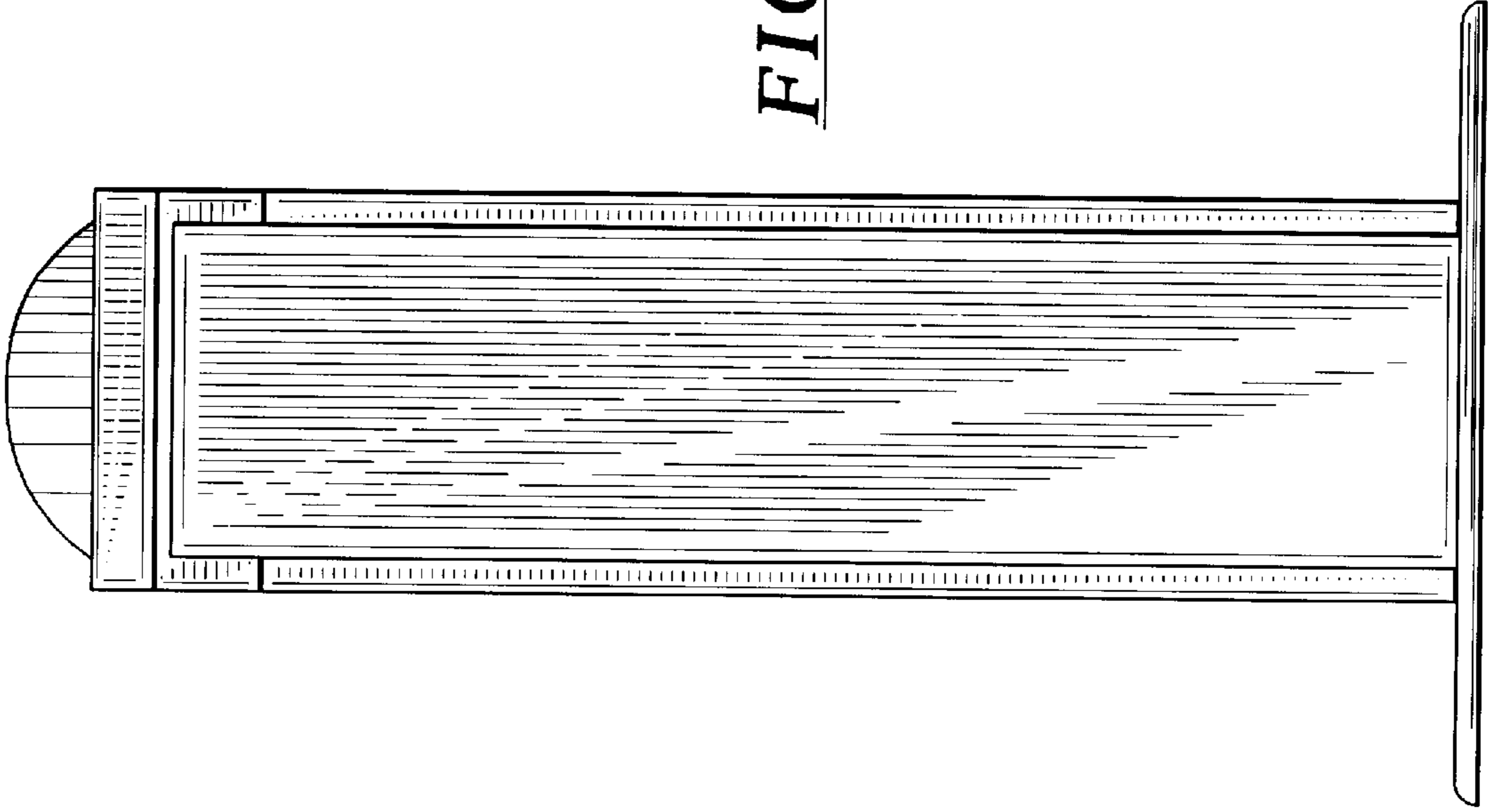


FIG. 6

