



US00D413866S

# United States Patent [19] Suzuki

[11] Patent Number: Des. 413,866

[45] Date of Patent: \*\* Sep. 14, 1999

[54] SELECTOR FOR AUDIO VIDEO DEVICE AND GAME DEVICE

[75] Inventor: Satoshi Suzuki, Tokyo, Japan

[73] Assignee: Sony Corporation, Tokyo, Japan

[\*\*] Term: 14 Years

[21] Appl. No.: 29/086,134

[22] Filed: Apr. 7, 1998

### Related U.S. Application Data

[62] Division of application No. 29/054,946, May 24, 1996, Pat. No. Des. 393,289.

[51] LOC (6) Cl. .... 13-03

[52] U.S. Cl. .... D13/158

[58] Field of Search ..... D21/1, 13, 48; D14/124, 217, 168, 188; 273/148 B; 461/1, 30-47; D13/158, 168, 171

### [56] References Cited

#### U.S. PATENT DOCUMENTS

D. 305,230	12/1989	Math	.....	D14/124
D. 357,287	4/1995	Feng	.....	D21/48
D. 359,518	6/1995	Methews	.....	D21/48
D. 370,239	5/1996	Ati et al.	.....	D21/48
D. 370,481	6/1996	Brooks	.....	D14/124
D. 393,289	4/1998	Suzuki	.....	D13/158 X
4,976,435	12/1990	Shatford et al.	.....	273/148 B
5,441,414	8/1995	Chretien	.....	D14/124 X

#### OTHER PUBLICATIONS

Catalog, Accessory 59, p. 65, Sony (Nov. 1996).

Primary Examiner—Brian N. Vinson

Attorney, Agent, or Firm—Foley & Lardner

### [57] CLAIM

The ornamental design for a selector for audio video device and game device, as shown and described.

### DESCRIPTION

FIG. 1 is a top front perspective view of a first embodiment of a selector for an audio video device and a game device showing my new design;

FIG. 2 is a top rear perspective view thereof;

FIG. 3 is a top plan view thereof;

FIG. 4 is a front elevational view thereof;

FIG. 5 is a rear elevational view thereof;

FIG. 6 is a bottom plan view thereof;

FIG. 7 is a right side elevational view thereof, a left side elevational view thereof being a mirror image;

FIG. 8 is a top rear perspective view of a second embodiment of a selector for an audio video device and a game device;

FIG. 9 is a rear elevational view of the embodiment of FIG. 8, wherein top front perspective, front elevational, bottom elevational and right side elevational views of the embodiment of FIG. 8 are shown in FIGS. 1, 3, 4, 6 and 7 inclusive, a left side elevational view of the embodiment of FIG. 8 being a mirror image of FIG. 7;

FIG. 10 is a top front perspective view of a third embodiment of a selector for an audio video device and a game device;

FIG. 11 is a rear front perspective view of the embodiment of FIG. 10;

FIG. 12 is a top plan view of the embodiment of FIG. 10;

FIG. 13 is a front elevational view of the embodiment of FIG. 10; and,

FIG. 14 is a rear elevational view of the embodiment of FIG. 10, wherein a bottom plan and right side elevational views are shown in FIGS. 6 and 7 inclusive, a left side elevational view being a mirror image of FIG. 7.

1 Claim, 8 Drawing Sheets

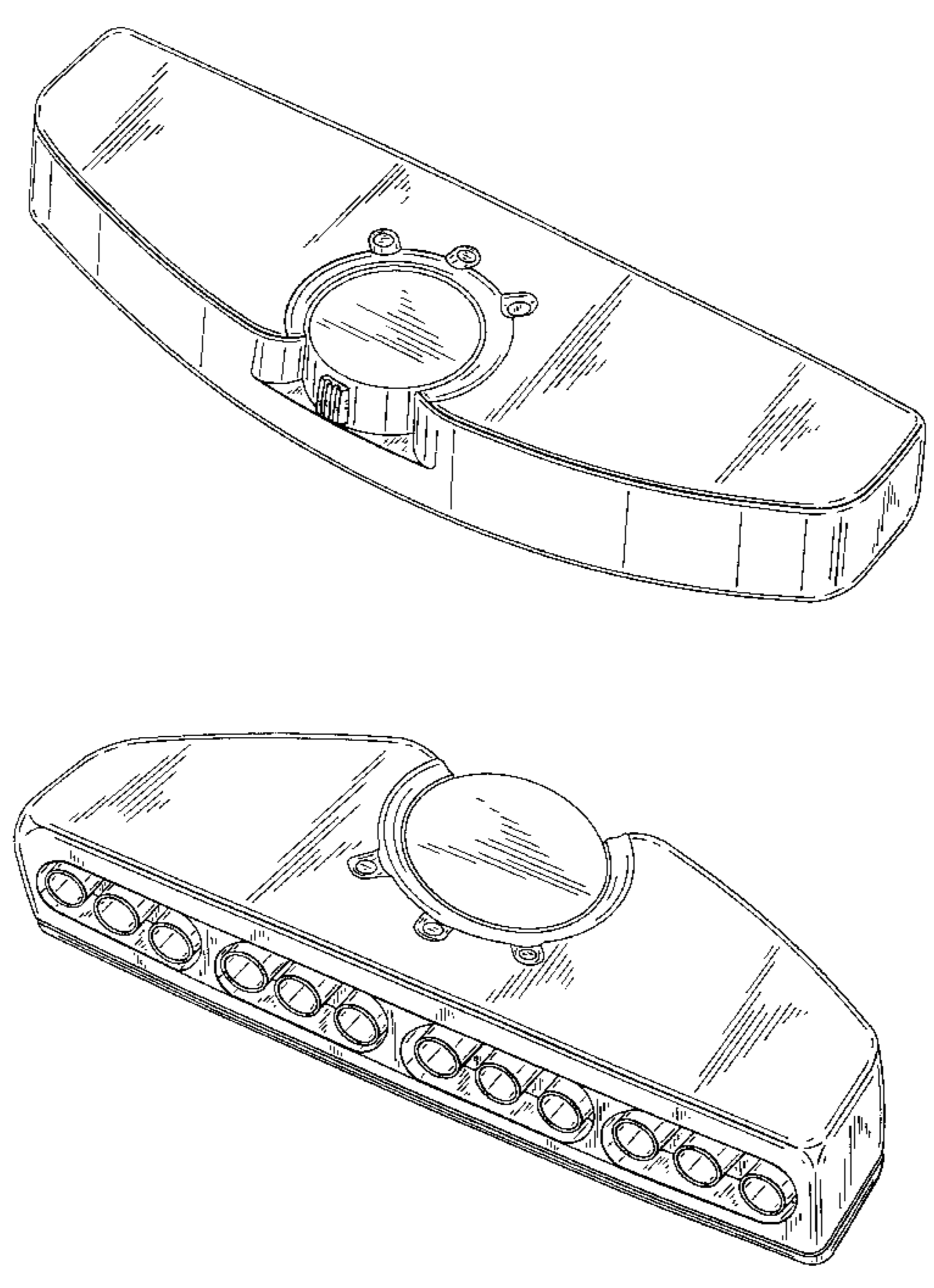


FIG. 1

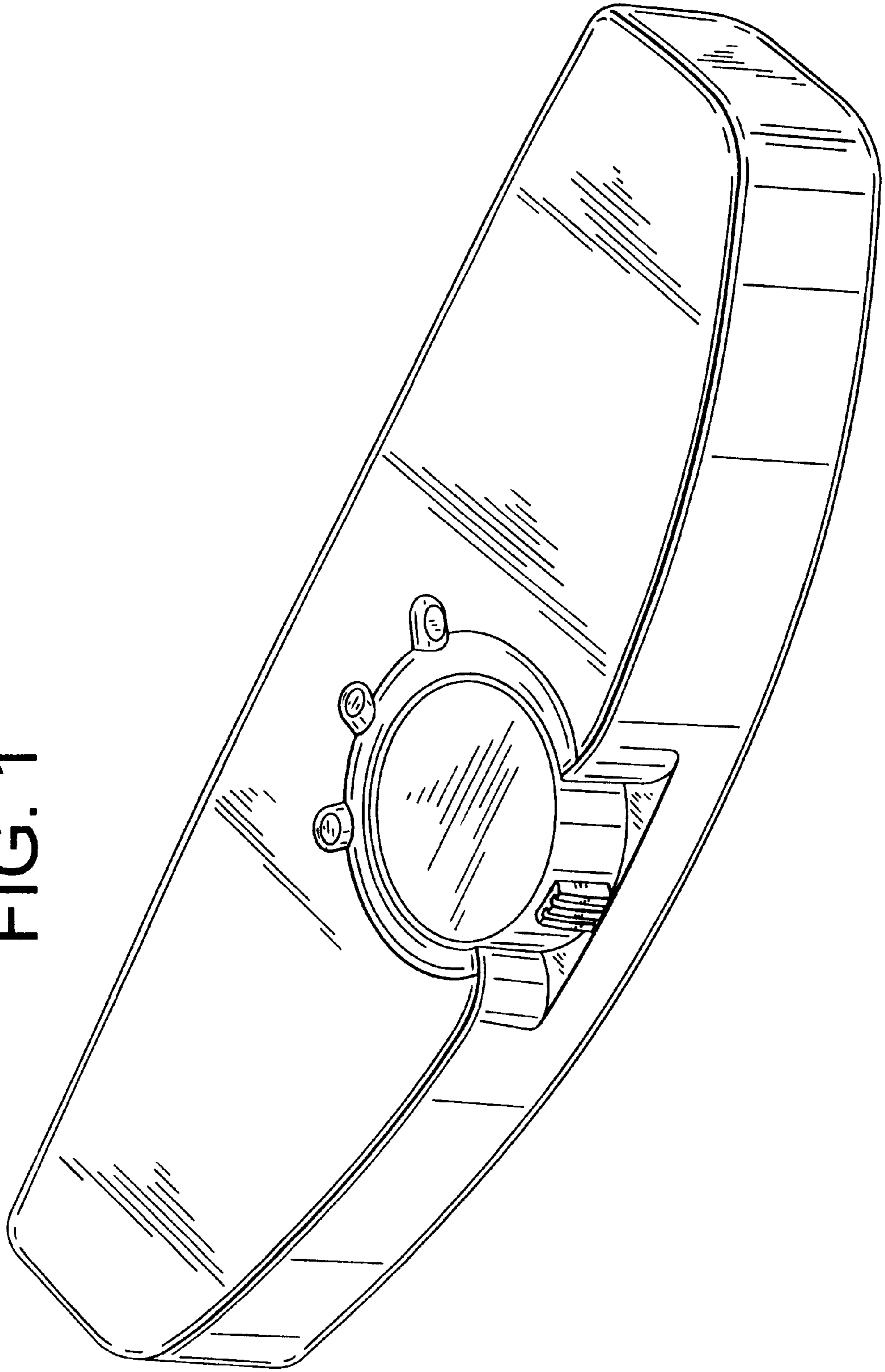


FIG. 2

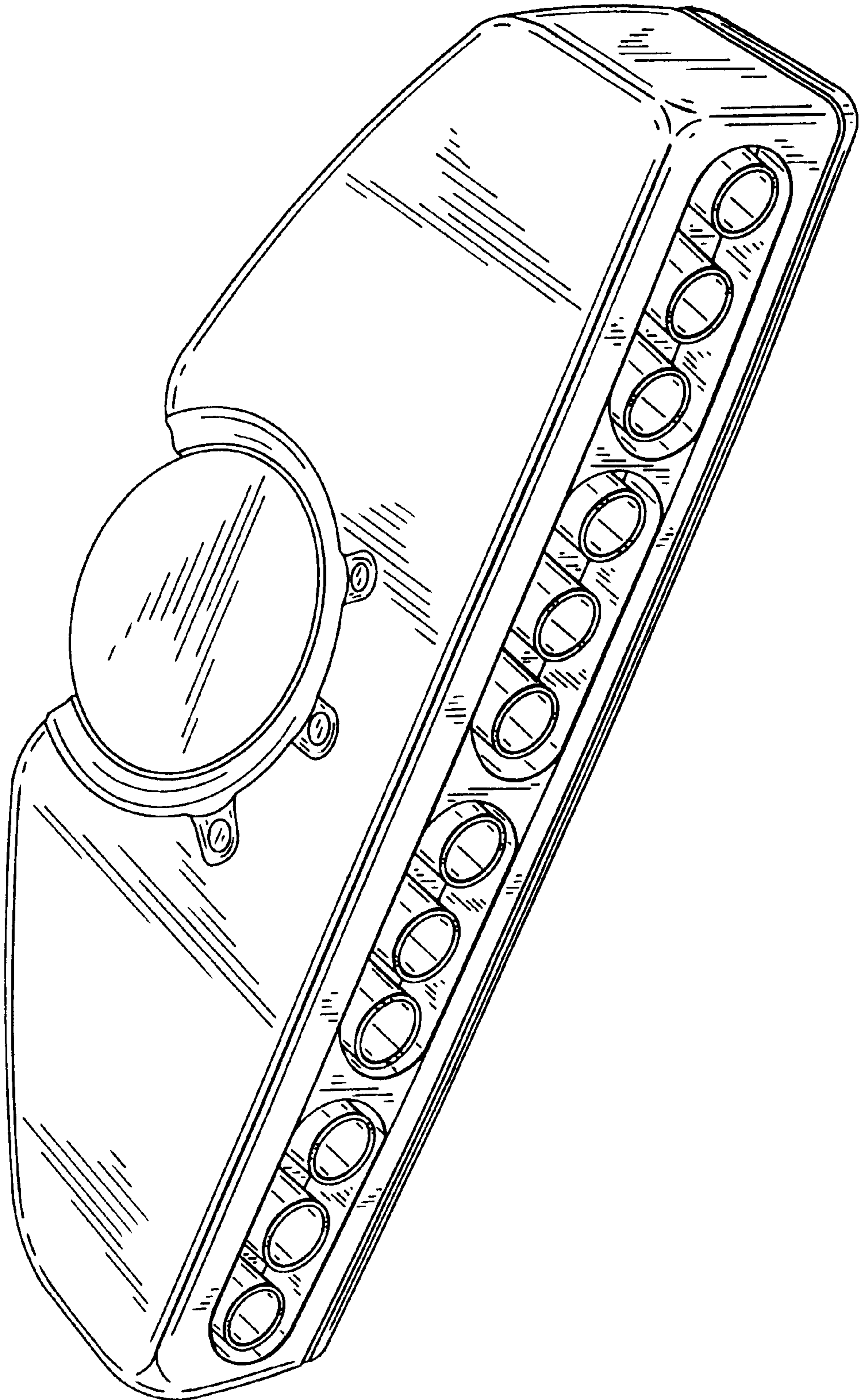


FIG. 3

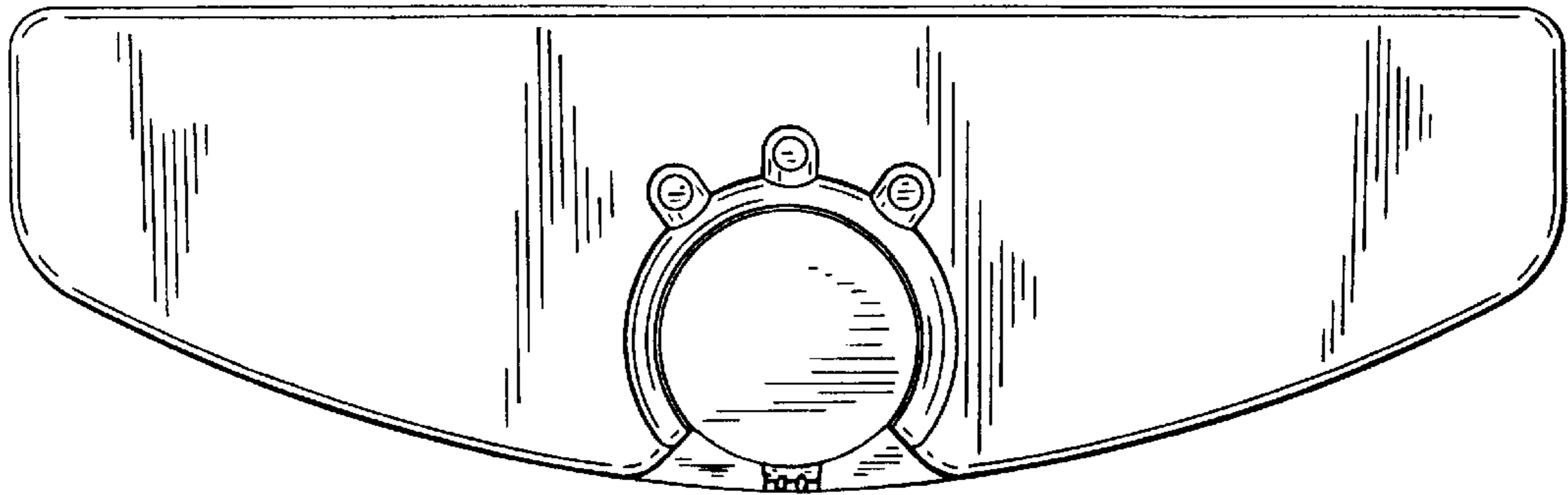


FIG. 4

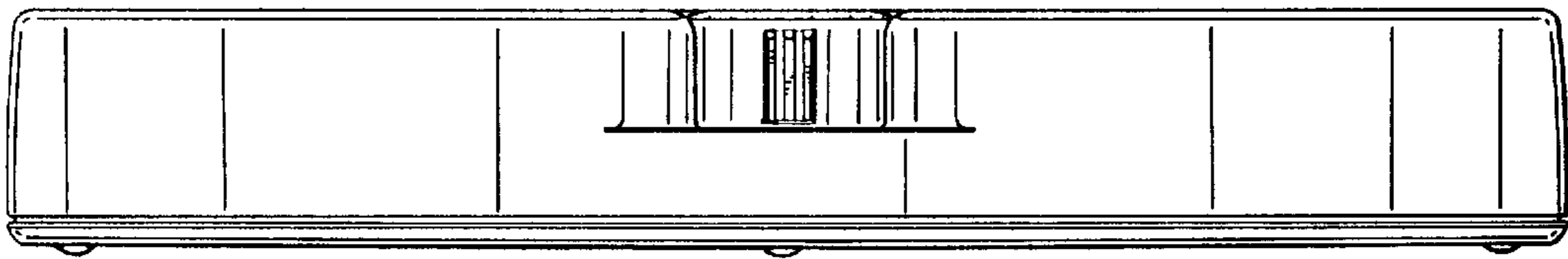


FIG. 5

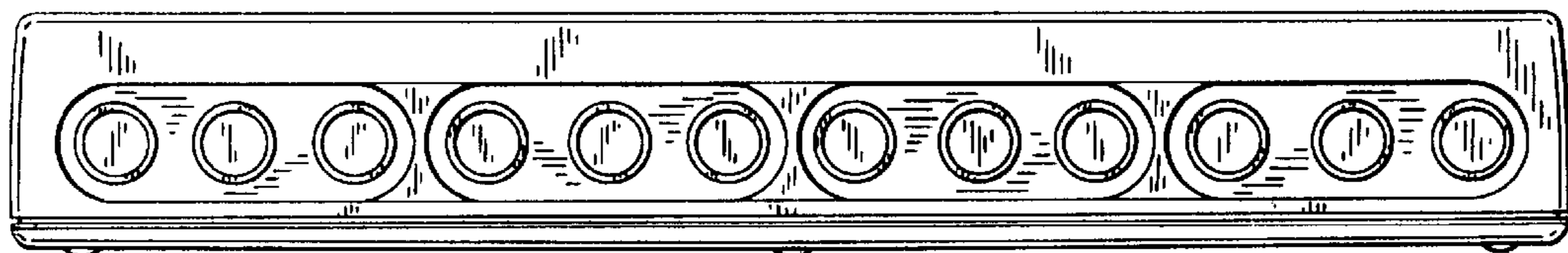


FIG. 6

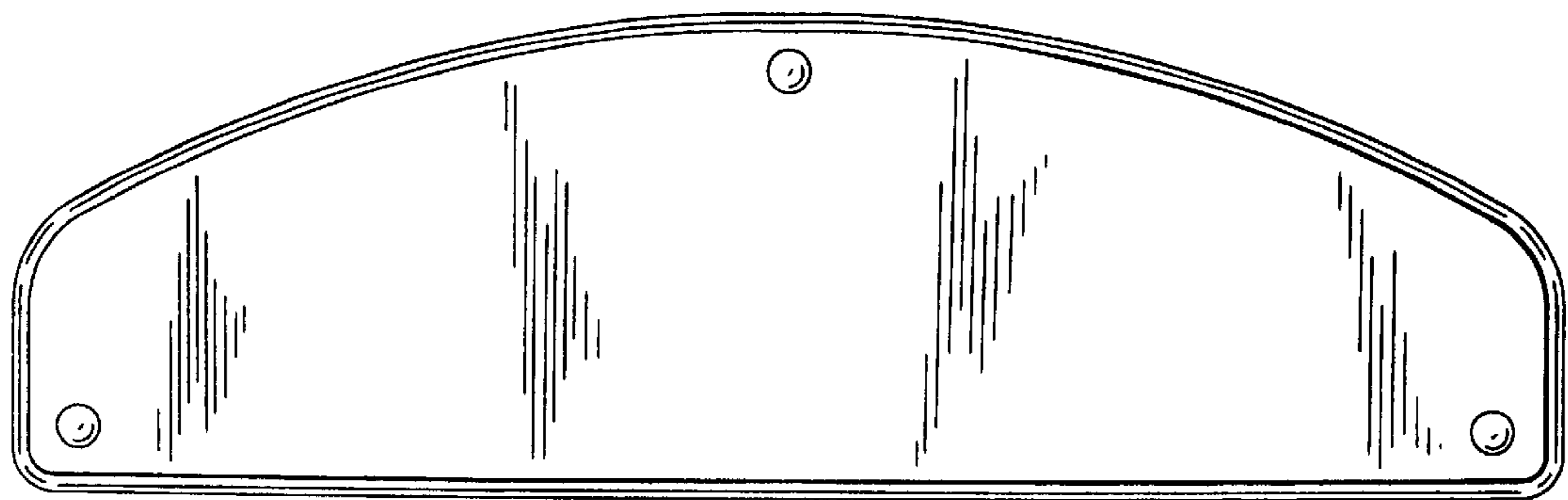


FIG. 7

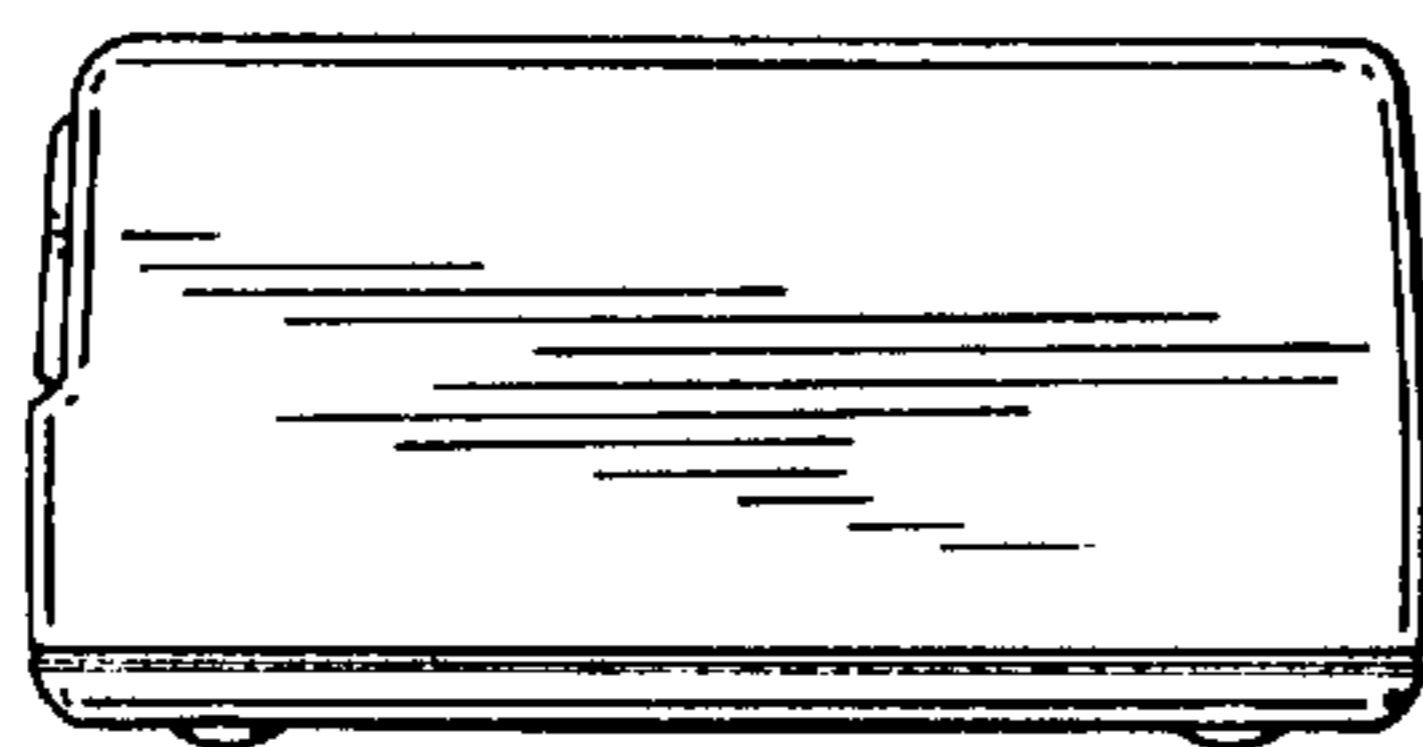


FIG. 8

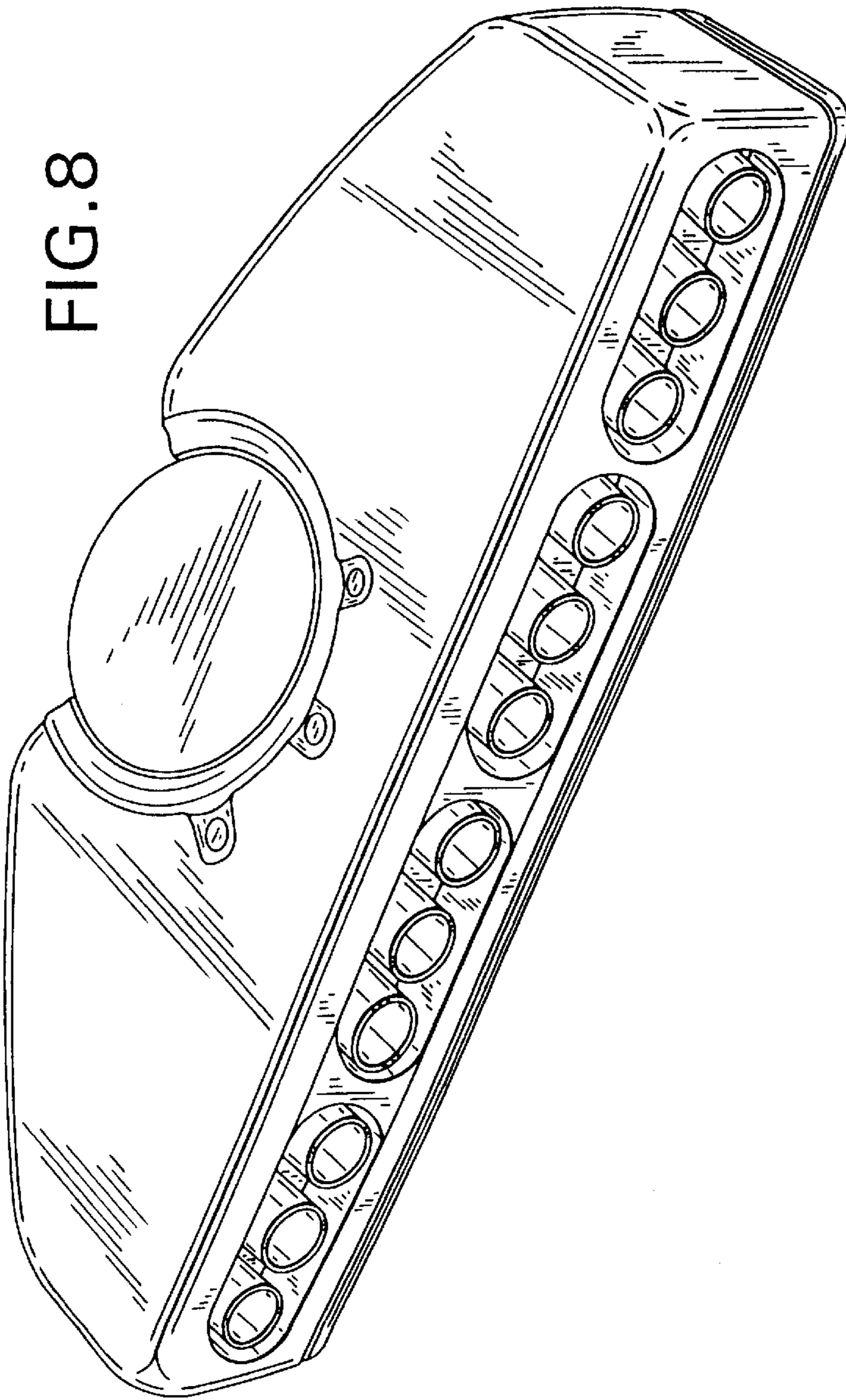


FIG. 9

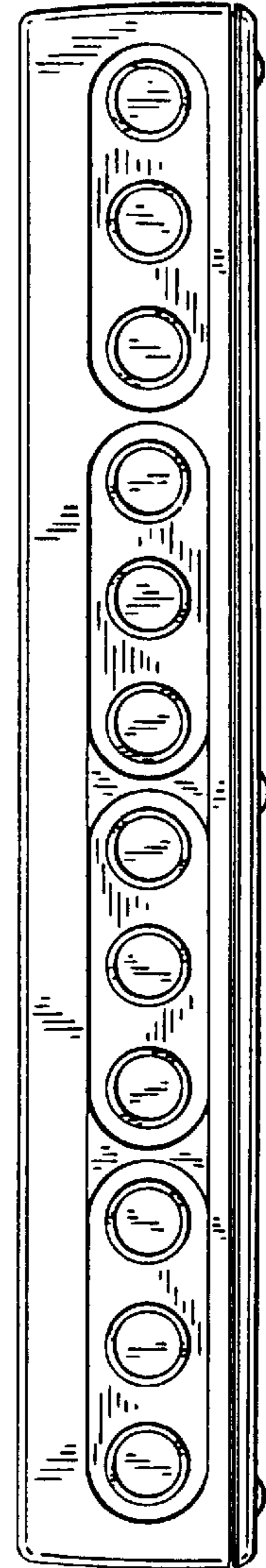


FIG. 10

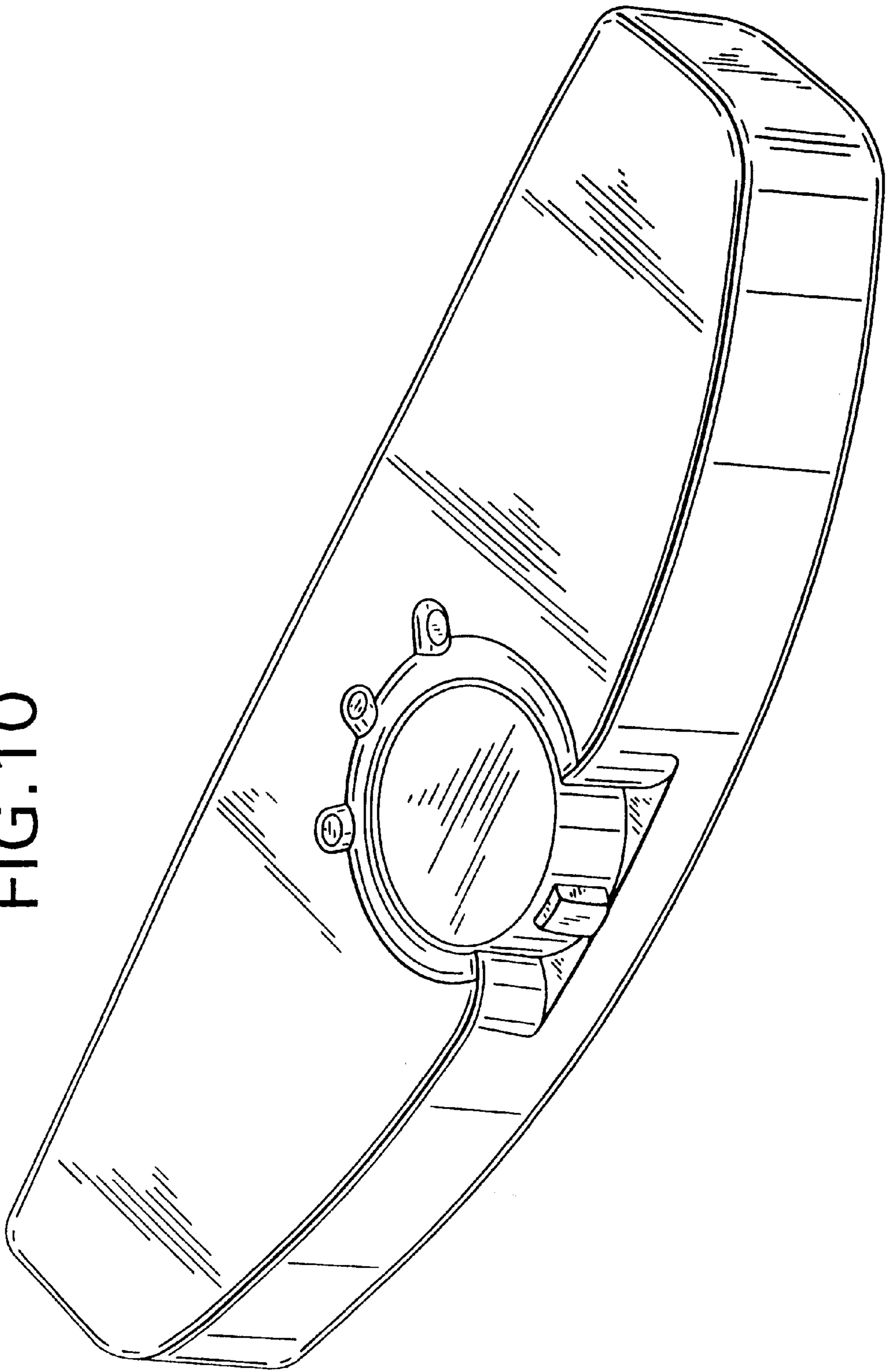


FIG. 11

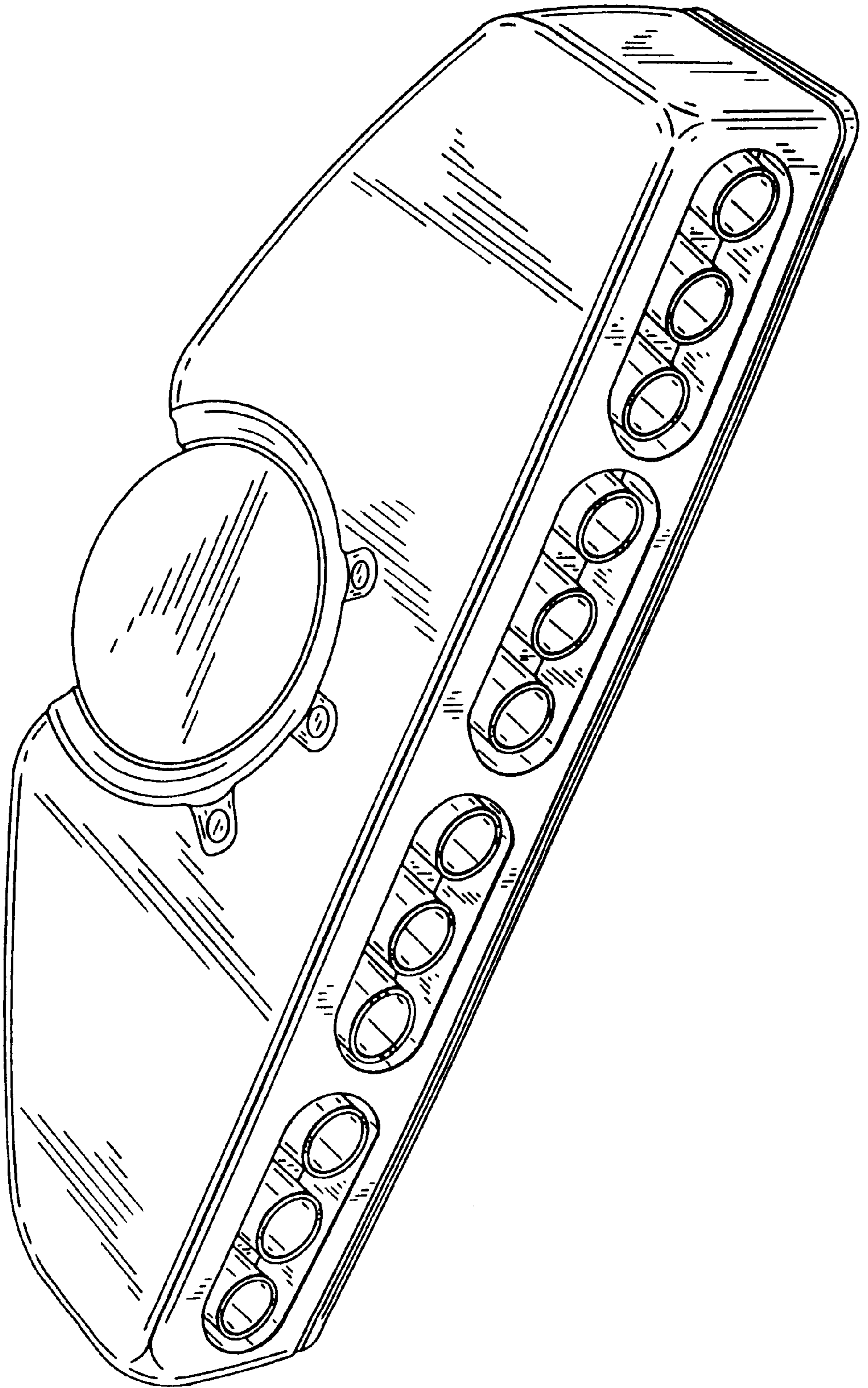




FIG. 12

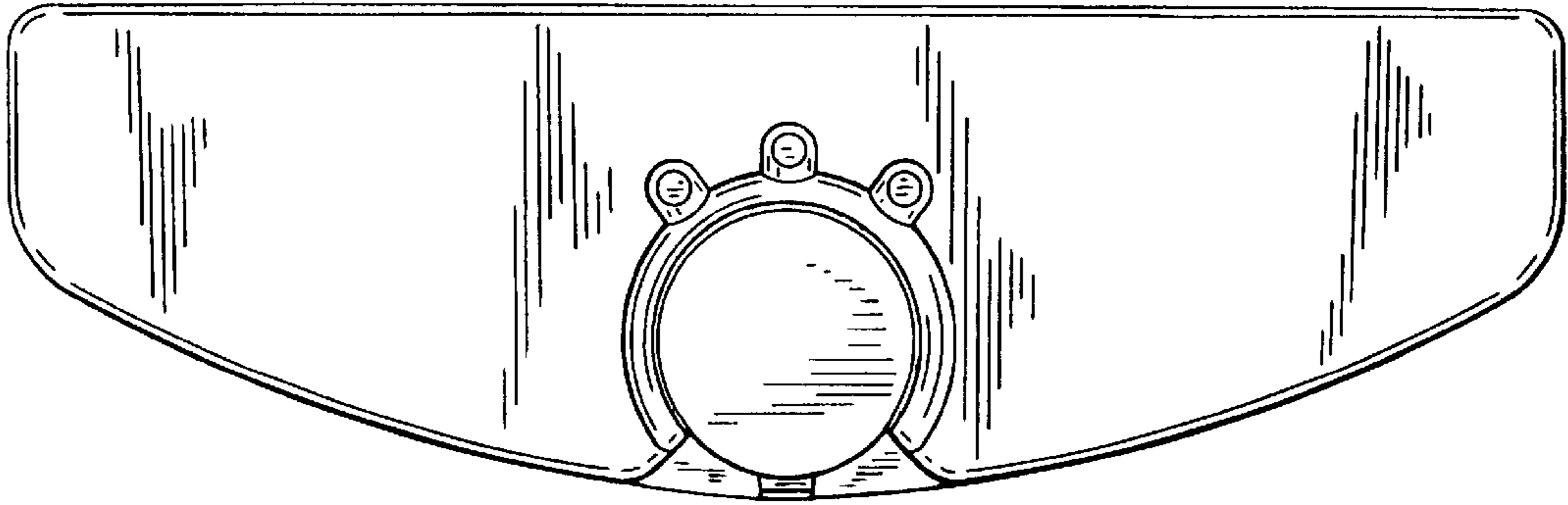


FIG. 13

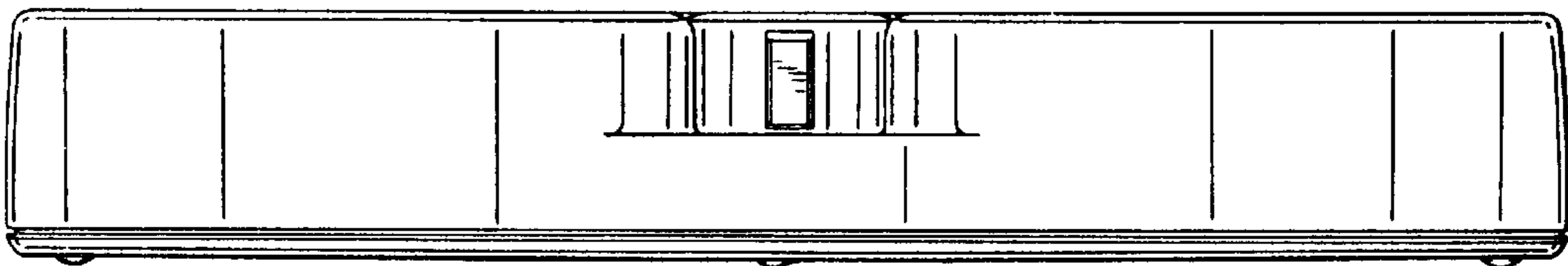


FIG. 14

