



US00D413865S

United States Patent [19]

Laufer et al.

[11] Patent Number: Des. 413,865

[45] Date of Patent: ** Sep. 14, 1999

[54] TELECOMMUNICATIONS ACCESS JACK

5,092,785 3/1992 Chen 439/188

[75] Inventors: David Calvin Laufer, Roswell; John C. W. Taylor, Atlanta; Patrick J. Marry, Suwanee; Ramesh K. Barasia, Alpharetta; P. Stuckey McIntosh, Atlanta, all of Ga.

Primary Examiner—Alan P. Douglas
Assistant Examiner—Lavone D. Tabor
Attorney, Agent, or Firm—James L. Ewing, IV; Kilpatrick Stockton LLLP

[73] Assignee: Home Wireless Networks, Inc., Norcross, Ga.

[57] CLAIM

[**] Term: 14 Years

The ornamental design for a telecommunications access jack, as shown and described.

[21] Appl. No.: 29/088,081

DESCRIPTION

[22] Filed: May 14, 1998

FIG. 1 is a rear, top, and right perspective view of the telecommunications access jack showing our new design. FIG. 2 is a rear elevational view of the telecommunications access jack. FIG. 3 is a front elevational view of the telecommunications access jack. FIG. 4 is a top view of the telecommunications access jack. FIG. 5 is a right side elevational view of the telecommunications access jack. FIG. 6 is a left side elevational view of the telecommunications access jack; and, FIG. 7 is a bottom view of the telecommunications access jack. The broken lines shown in FIGS. 1, 5, and 7 are for illustrative purposes only and form no part of the claimed design.

[51] LOC (6) Cl. 13-03

[52] U.S. Cl. D13/154

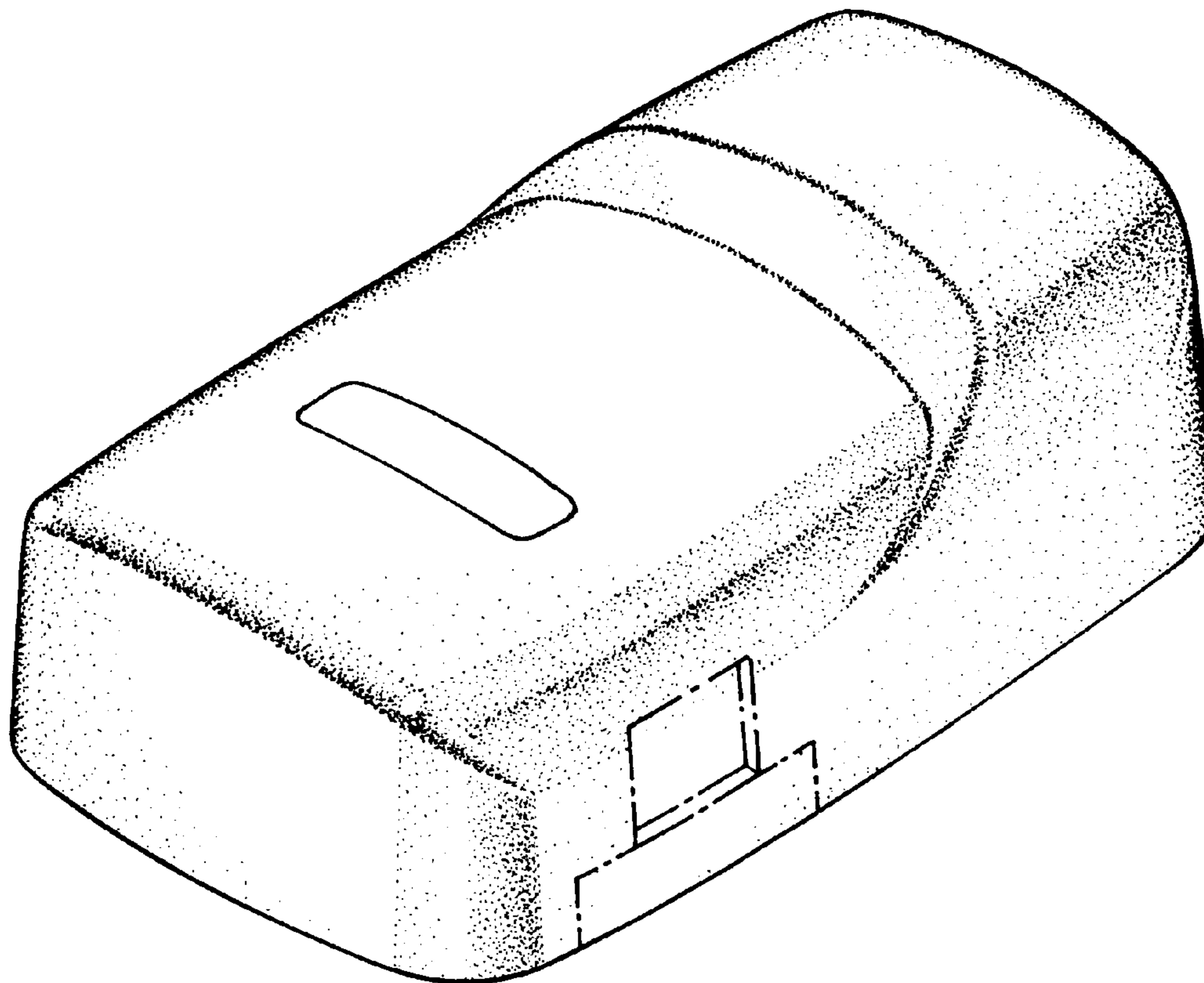
[58] Field of Search D13/133, 152, D13/154, 162, 164, 184; D14/217, 240, 256; 361/600, 622, 796; 379/27, 29, 327, 330, 332, 397, 399, 412, 441, 442; 439/535, 540.1, 638, 668, 676, 140, 188

[56] References Cited

U.S. PATENT DOCUMENTS

- D. 297,128 8/1988 Guscott et al. D13/164 X
- D. 314,746 2/1991 Benjamin et al. D13/133
- D. 324,207 2/1992 Nieves D13/184

1 Claim, 2 Drawing Sheets



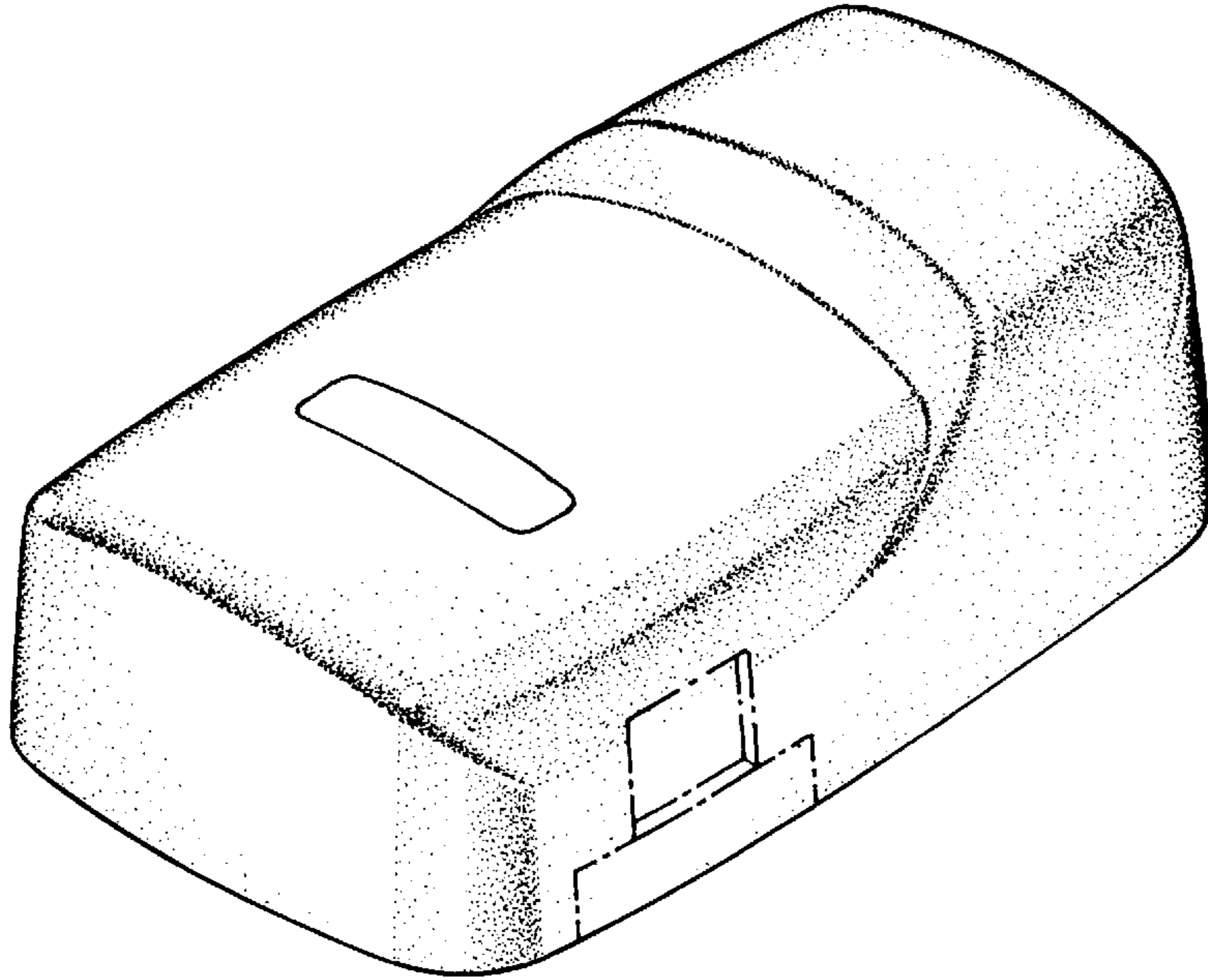


FIG 1

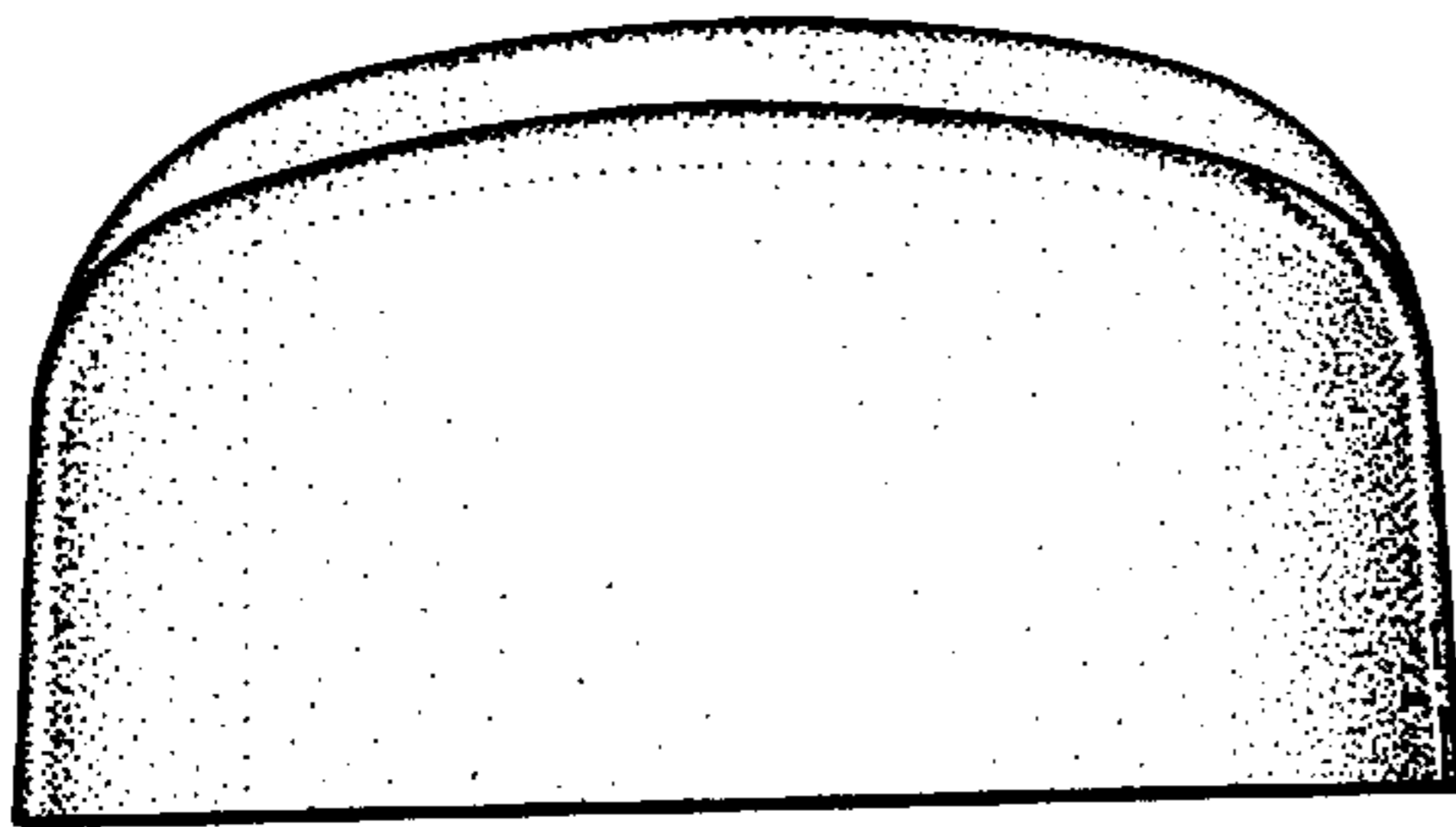


FIG 2

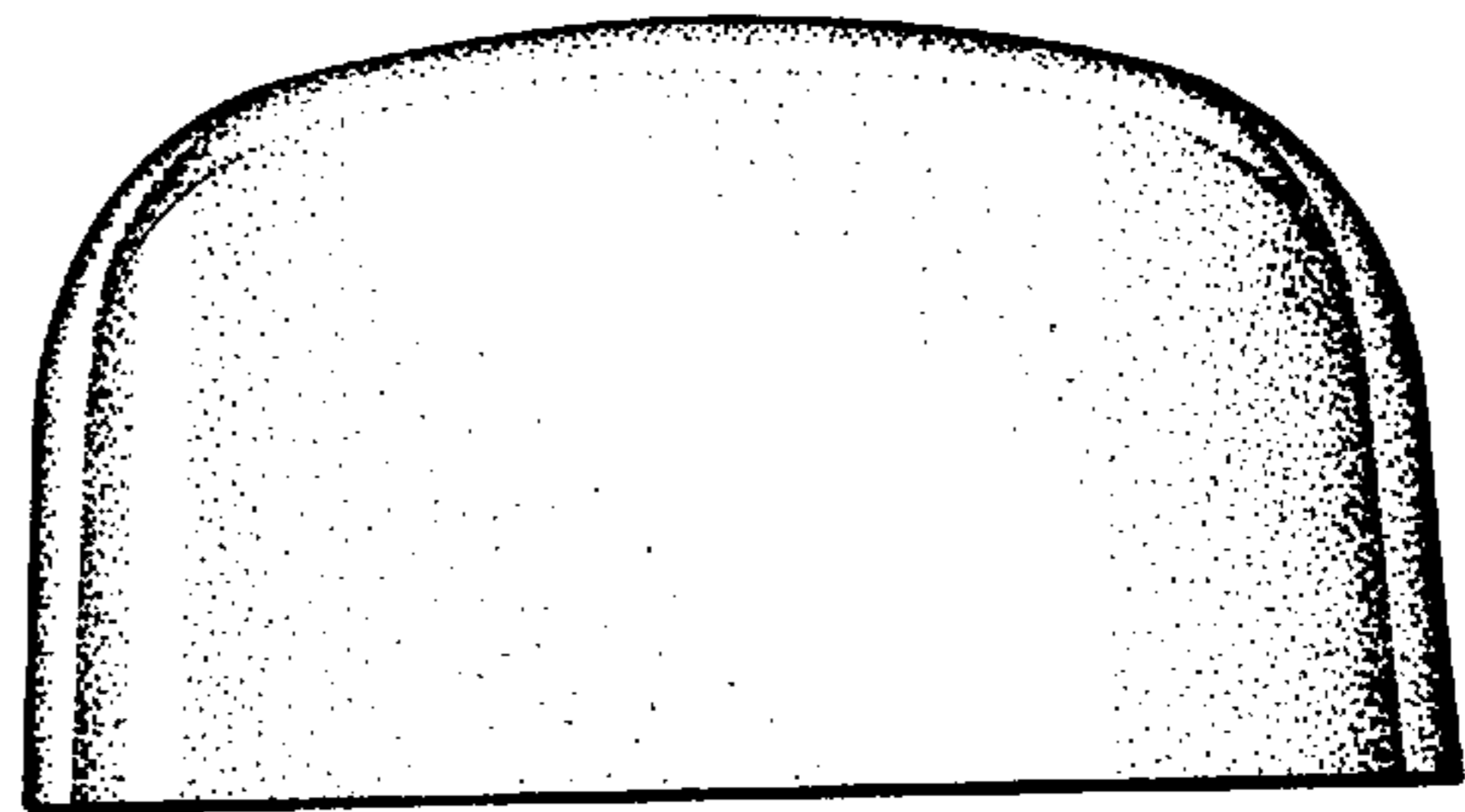


FIG 3

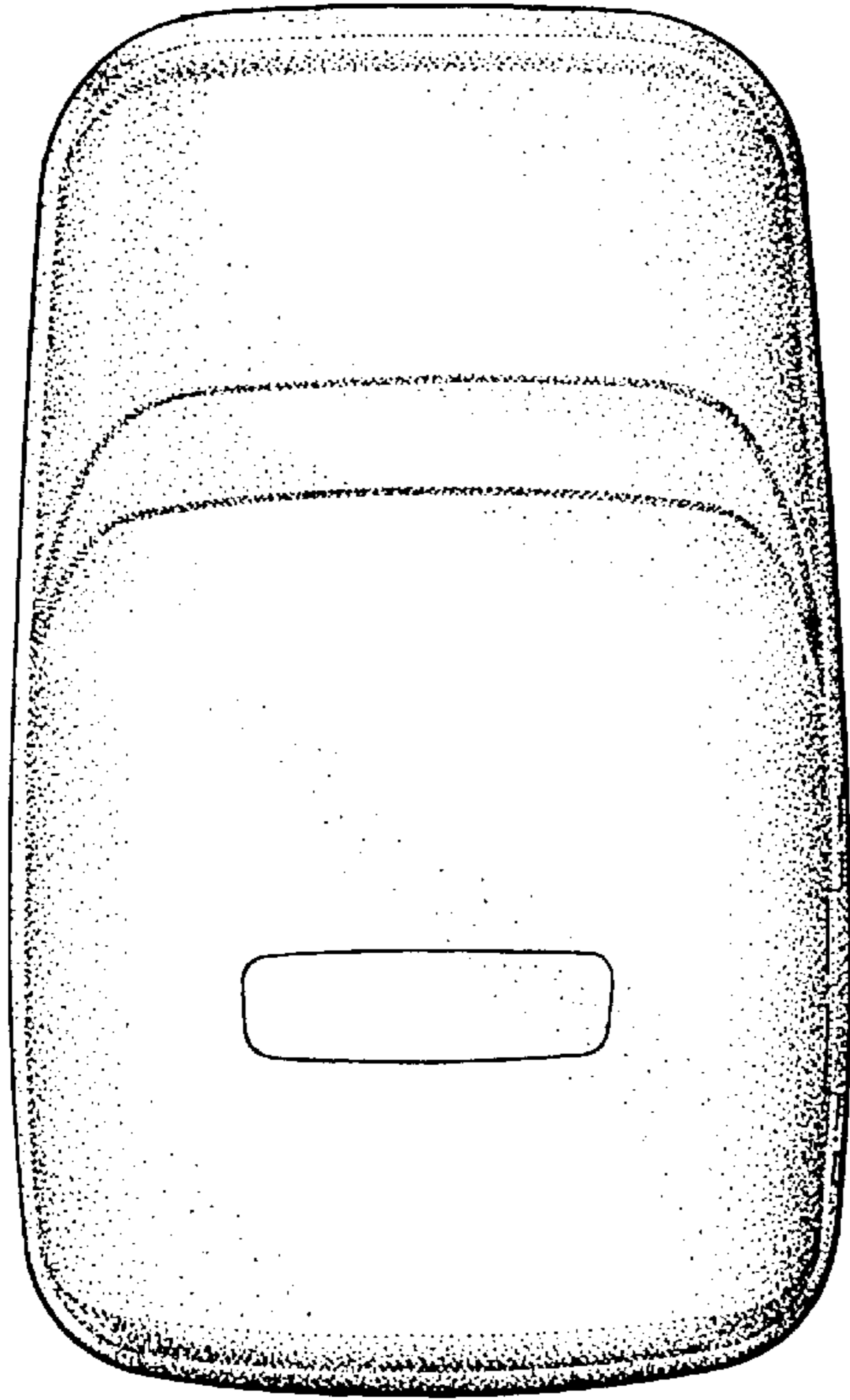


FIG 4

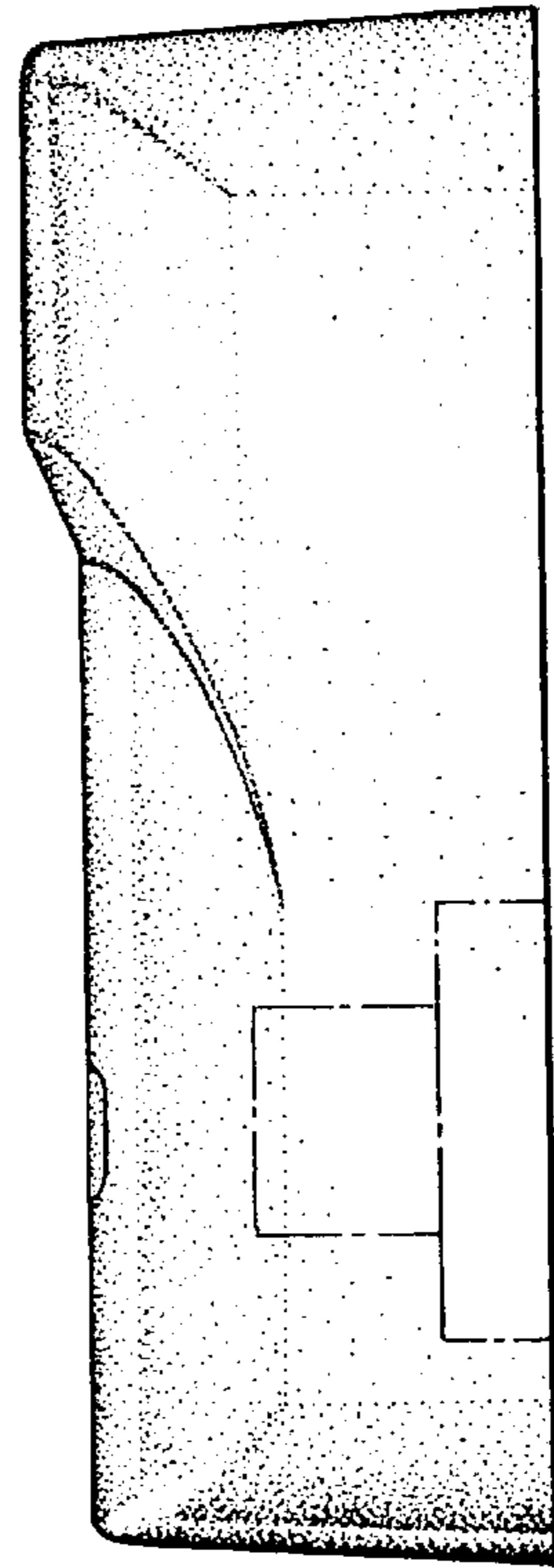


FIG 5

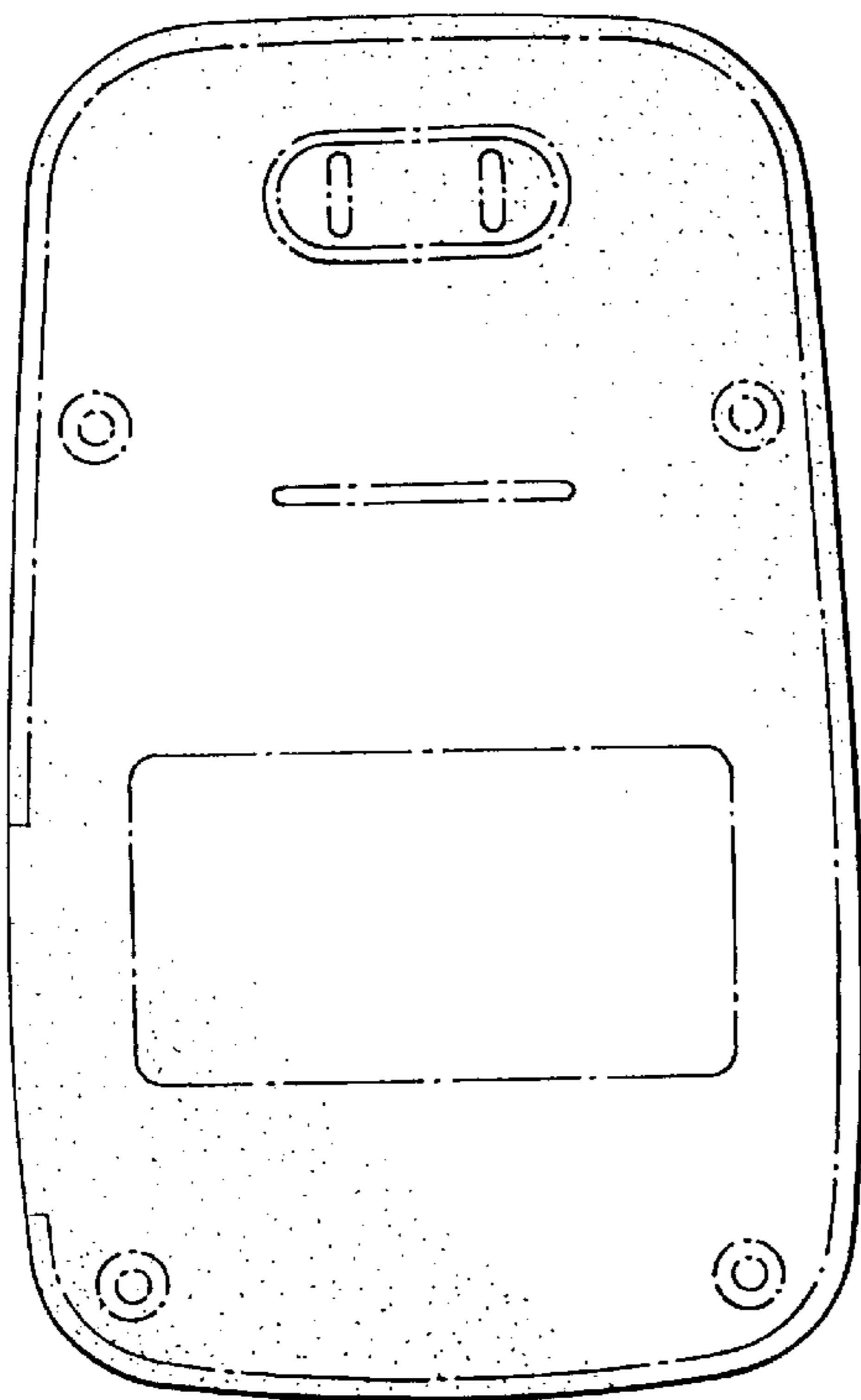


FIG 7

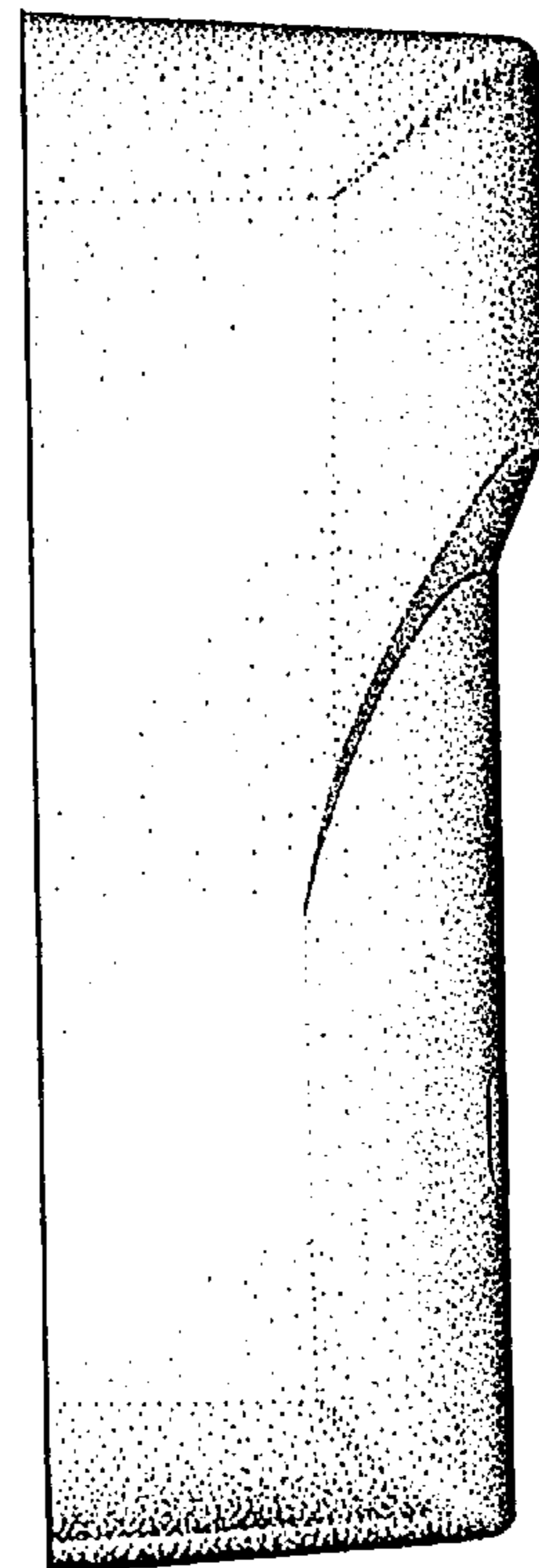


FIG 6