



US00D413864S

United States Patent [19]

Kovacik et al.

[11] Patent Number: Des. 413,864

[45] Date of Patent: ** Sep. 14, 1999

[54] PLUG LOCK DEVICE

[75] Inventors: **James D. Kovacik**, Brecksville; **Paul S. Blanch**, Broadview Heights; **Stanley E. Grzywna**, Elyria, all of Ohio

[73] Assignee: **Alert Safety Lite Products Co., Inc.**, Bedford Heights, Ohio

[**] Term: 14 Years

[21] Appl. No.: 29/085,312

[22] Filed: Mar. 20, 1998

[51] LOC (6) Cl. 13-03

[52] U.S. Cl. D13/154

[58] Field of Search D13/154, 137.4, D13/139.8, 139.9; 439/369, 375

[56] **References Cited**

U.S. PATENT DOCUMENTS

- 1,665,095 4/1928 Henry .
- 1,818,819 8/1931 Seresun .
- 1,844,916 2/1932 Dykes .
- 1,899,360 2/1933 Roudebush et al. .
- 1,988,171 1/1935 Frank et al. .

- 1,989,823 2/1935 Raabe .
- 2,487,801 11/1949 Healy, Jr. .
- 5,104,335 4/1992 Conley 439/369
- 5,655,924 8/1997 Cross et al. 439/369 X

Primary Examiner—Joel Sincavage
Attorney, Agent, or Firm—MacMillan, Sobanski & Todd, LLC

[57] **CLAIM**

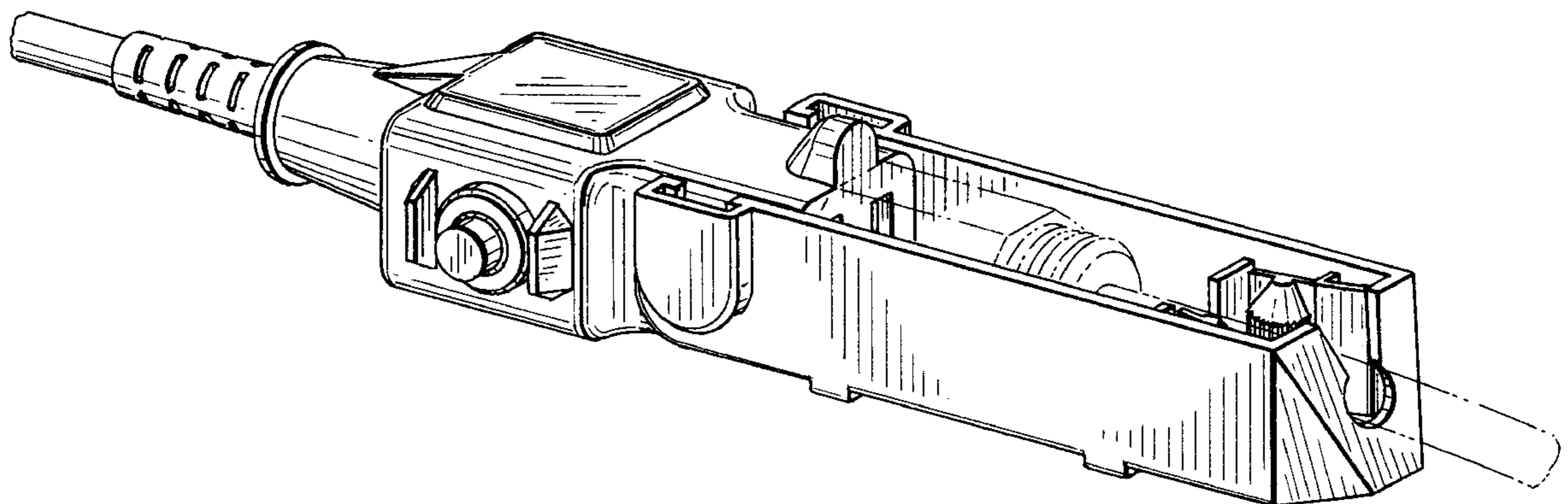
The ornamental design for a plug lock device, as shown and described.

DESCRIPTION

FIG. 1 is a left hand perspective view for a plug lock device; FIG. 2 is a top plan view thereof; FIG. 3 is a front elevational view thereof; FIG. 4 is a rear elevational view thereof; FIG. 5 is a bottom plan view thereof; FIG. 6 is a right end elevational view thereof; and, FIG. 7 is a left end elevational view thereof.

The broken line showing of the plug in FIGS. 1 and 2 is included for the purpose of illustrating environmental structure only and forms no part of the claimed design.

1 Claim, 3 Drawing Sheets



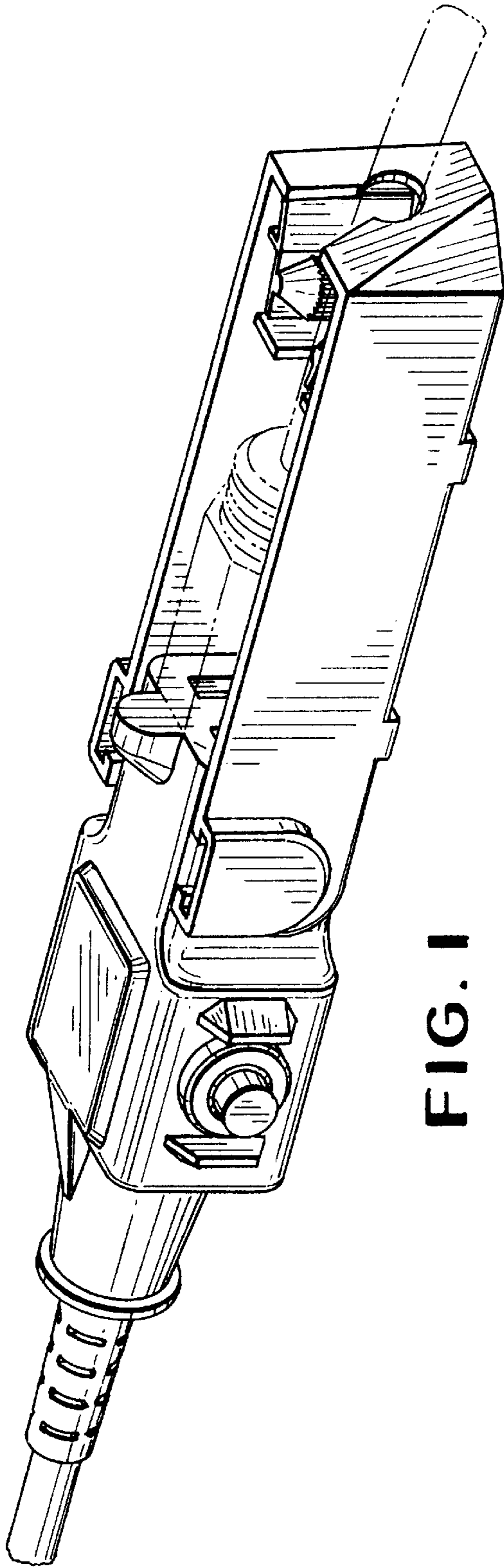


FIG. 1

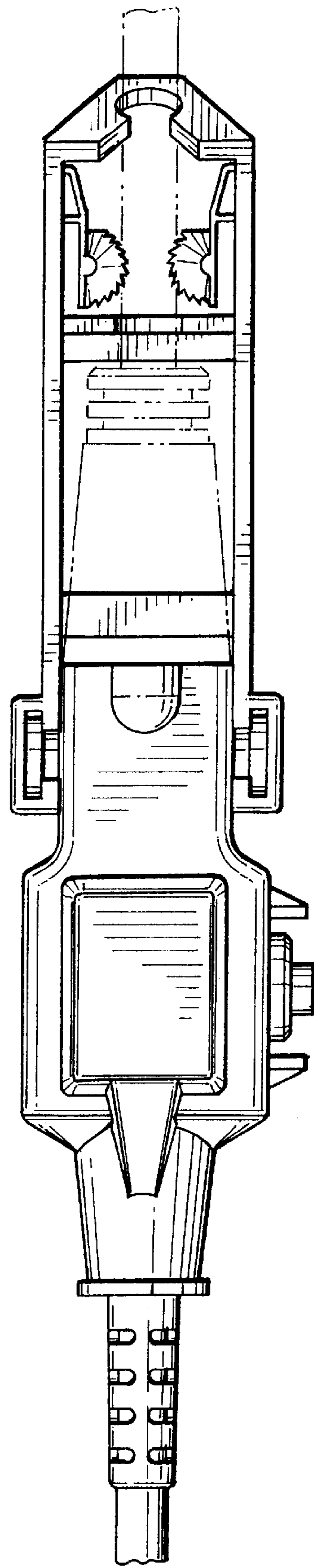


FIG. 2

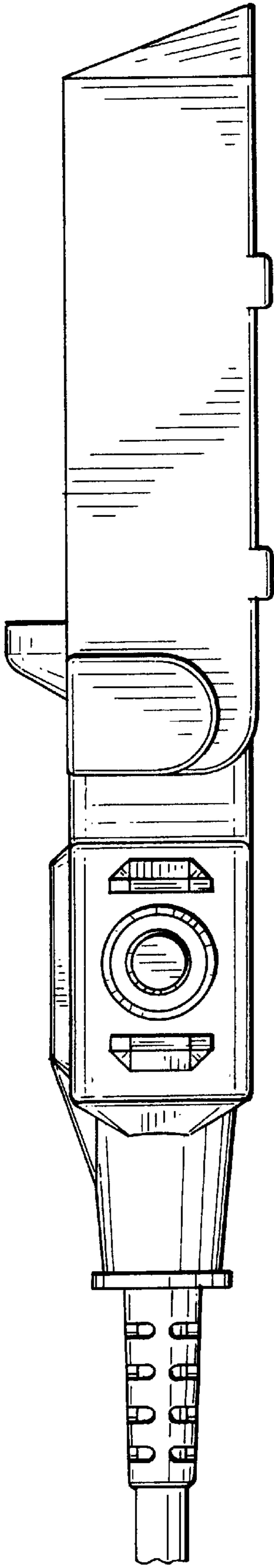


FIG. 3

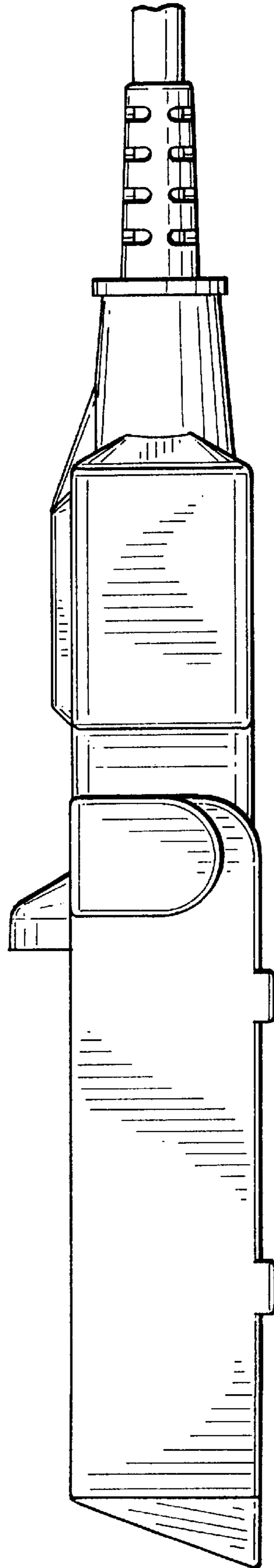


FIG. 4

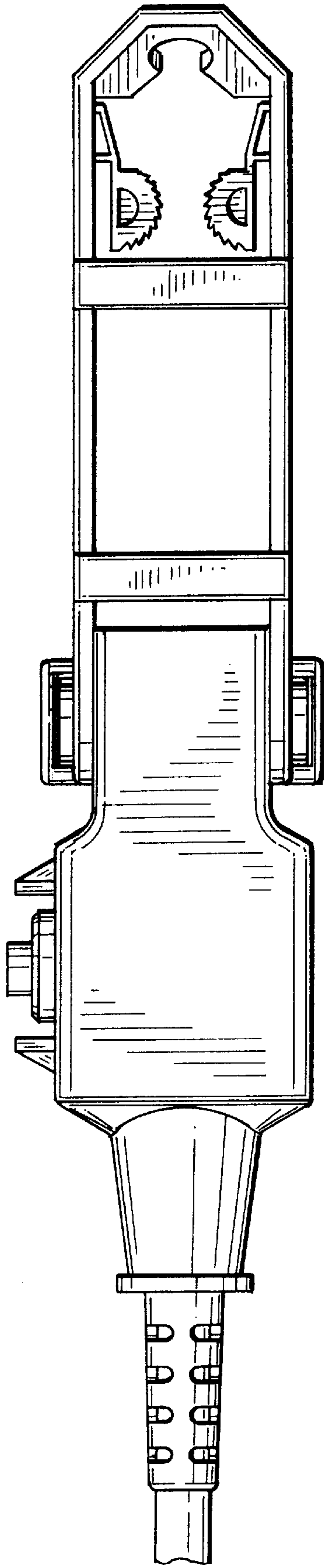


FIG. 5

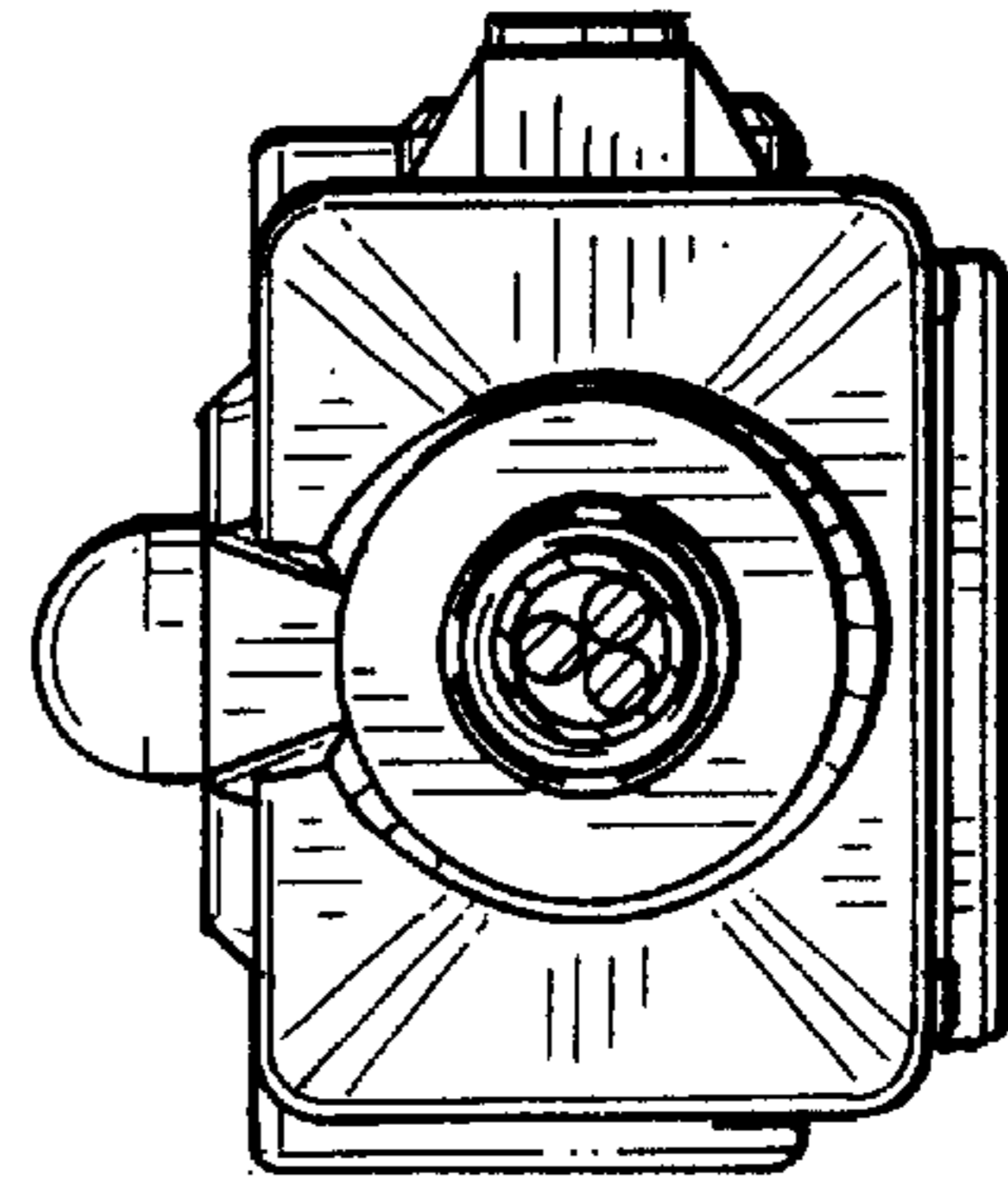


FIG. 7

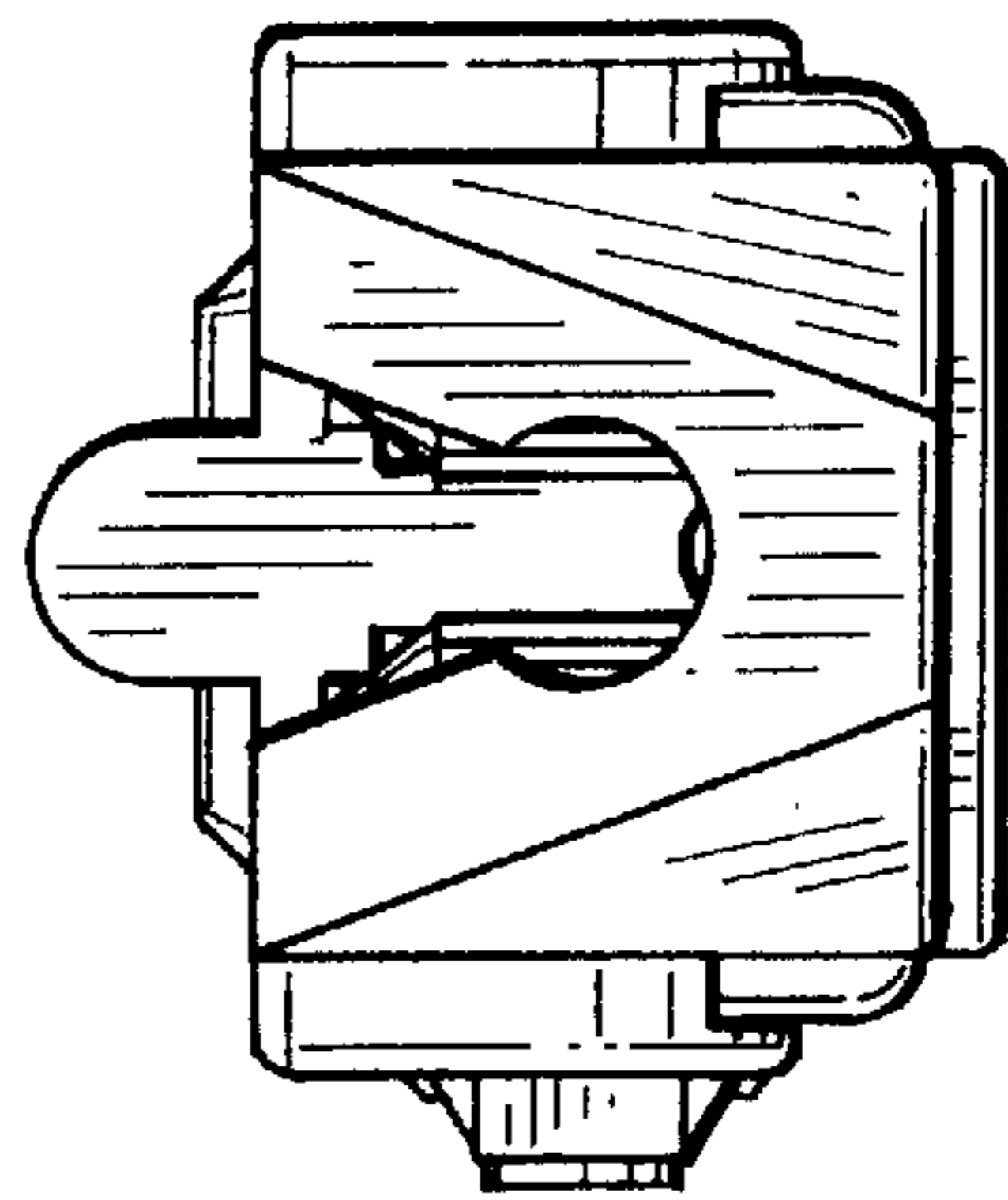


FIG. 6