



US00D413861S

# United States Patent [19] Lai

[11] **Patent Number: Des. 413,861**

[45] **Date of Patent: \*\* Sep. 14, 1999**

[54] **ELECTRICAL PLUG**

D. 379,964	6/1997	Maddock et al.	.....	D13/138
4,717,439	1/1988	Johnson	.....	439/490
5,193,665	3/1993	Jankow	.....	200/51.11

[76] Inventor: **Li-Chun Lai**, 21F-1, No. 33, Min Sheng Rd., Sec. 1, Panchiao Taipei Hsien, Taiwan

[\*\*] Term: **14 Years**

*Primary Examiner*—Susan J. Lucas  
*Assistant Examiner*—Jennifer Rivard  
*Attorney, Agent, or Firm*—Bacon & Thomas

[21] Appl. No.: **29/079,055**

[57] **CLAIM**

[22] Filed: **Nov. 7, 1997**

The ornamental design for a “electrical plug,” as shown and described.

[51] **LOC (6) Cl.** ..... **13-03**

**DESCRIPTION**

[52] **U.S. Cl.** ..... **D13/138.1**

[58] **Field of Search** ..... D13/138.1–138.2;  
439/490, 650, 651, 652, 606, 106, 692,  
696; 200/51.11

FIG. 1 is a perspective view of my new design showing the top, front and left sides thereof.

FIG. 2 is a rear view thereof.

FIG. 3 is a front view thereof.

FIG. 4 is a top view thereof.

FIG. 5 is a bottom view thereof.

FIG. 6 is a side view thereof; and,

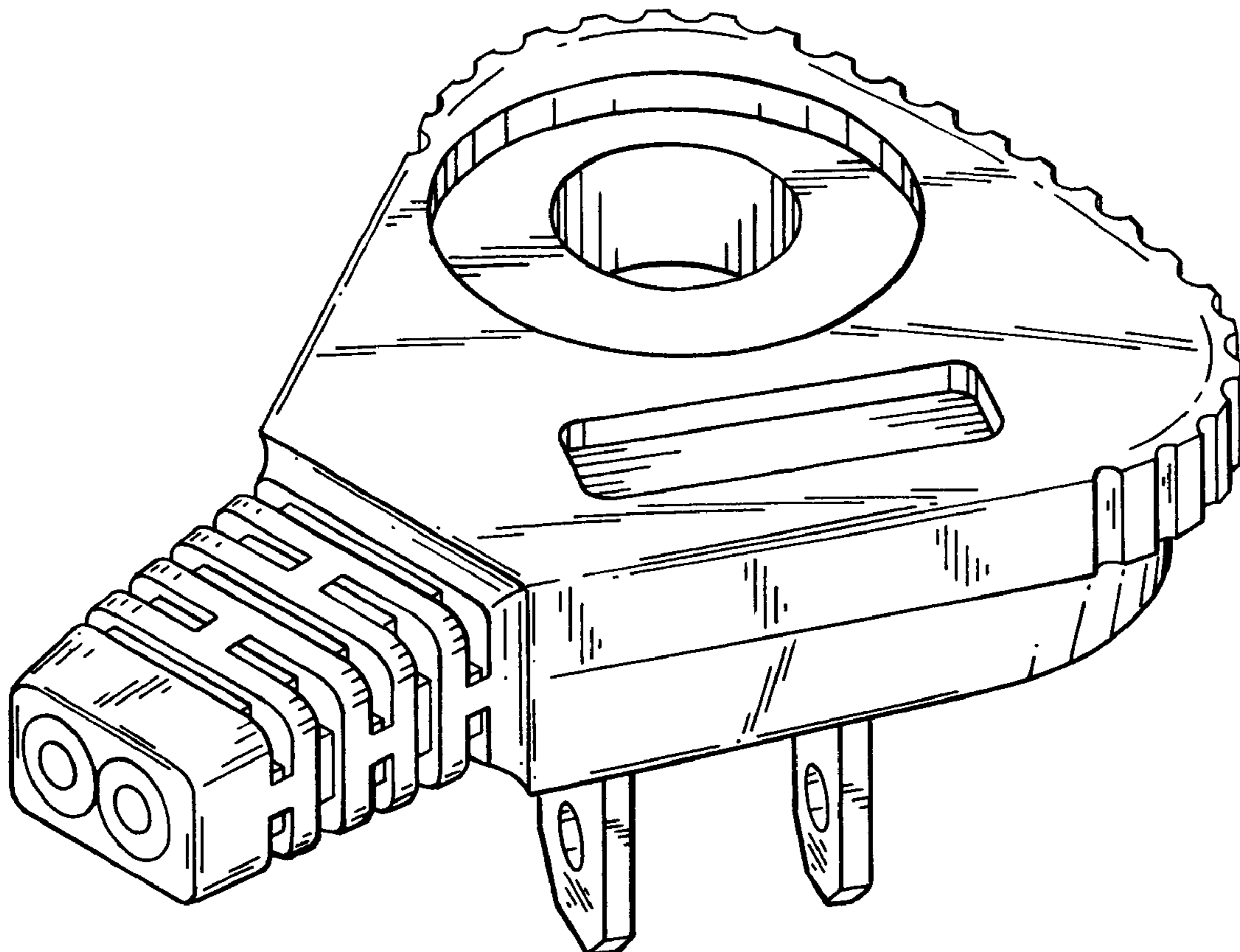
FIG. 7 is an opposite side view thereof.

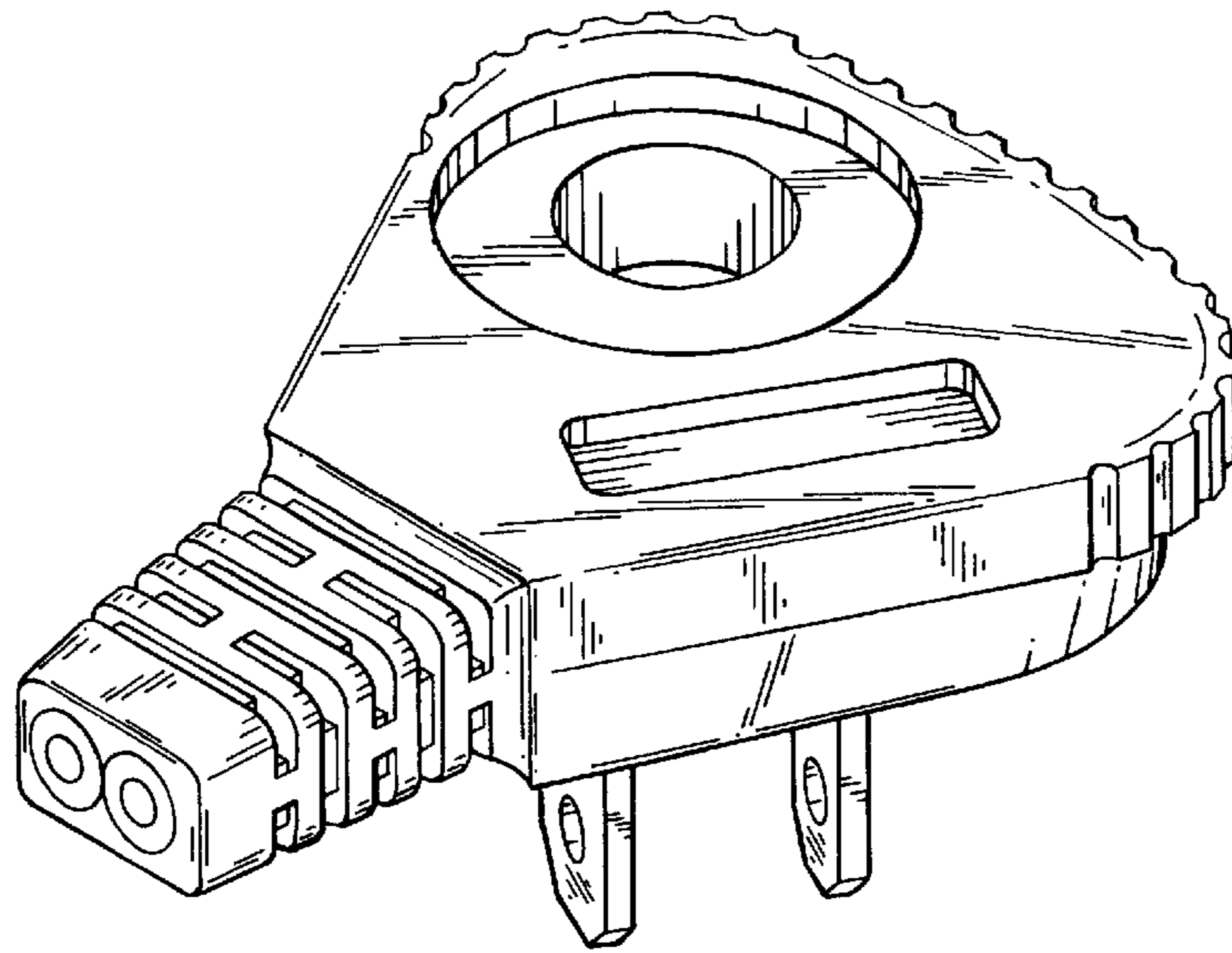
[56] **References Cited**

**U.S. PATENT DOCUMENTS**

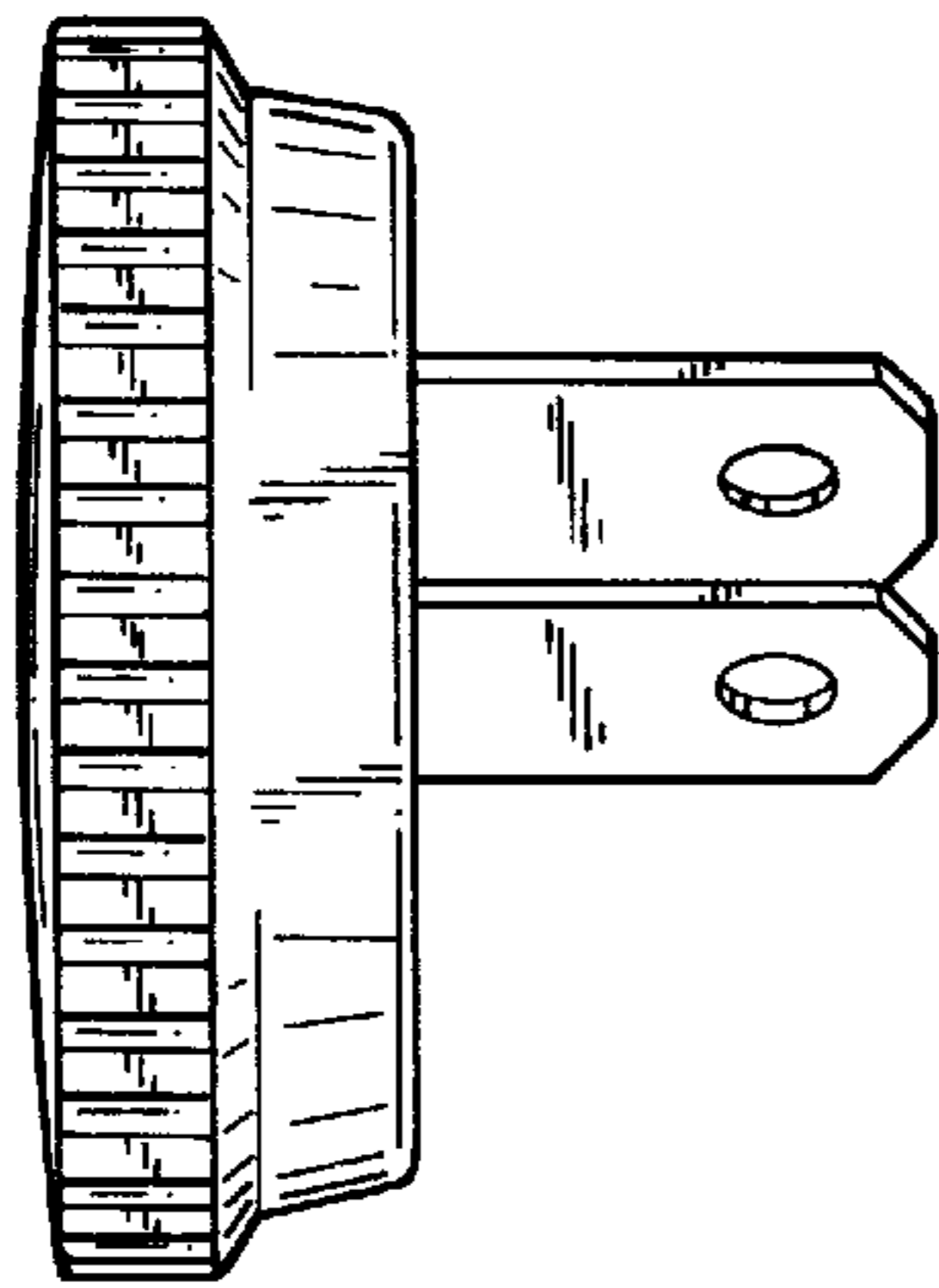
D. 345,342	3/1994	Fox	.....	D13/138
D. 354,941	1/1995	Lentz et al.	.....	D13/138
D. 376,348	12/1996	Hedrick	.....	D13/138
D. 378,586	3/1997	Hedrick	.....	D13/138

**1 Claim, 2 Drawing Sheets**

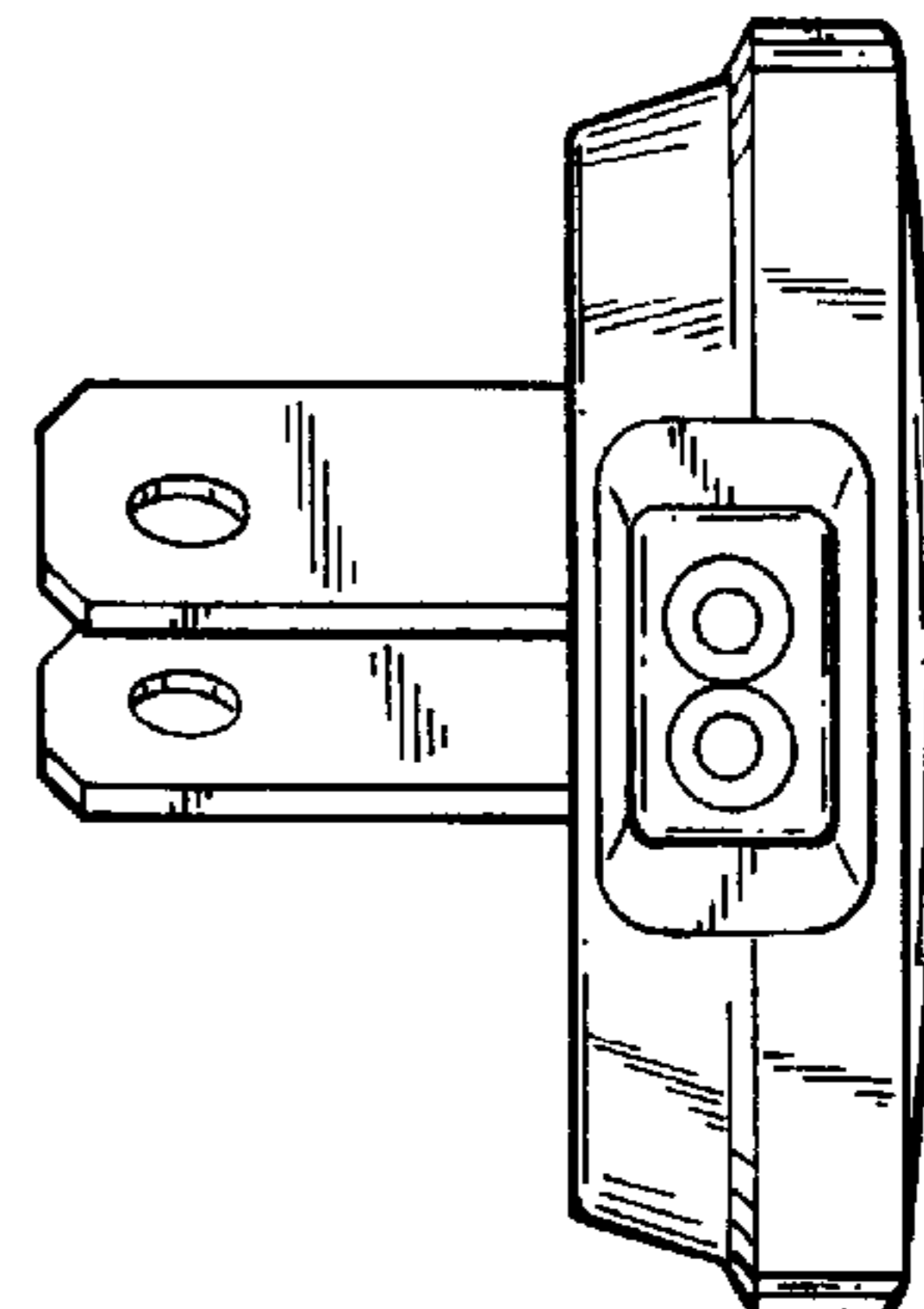




*FIG. 1*



*FIG. 2*



*FIG. 3*

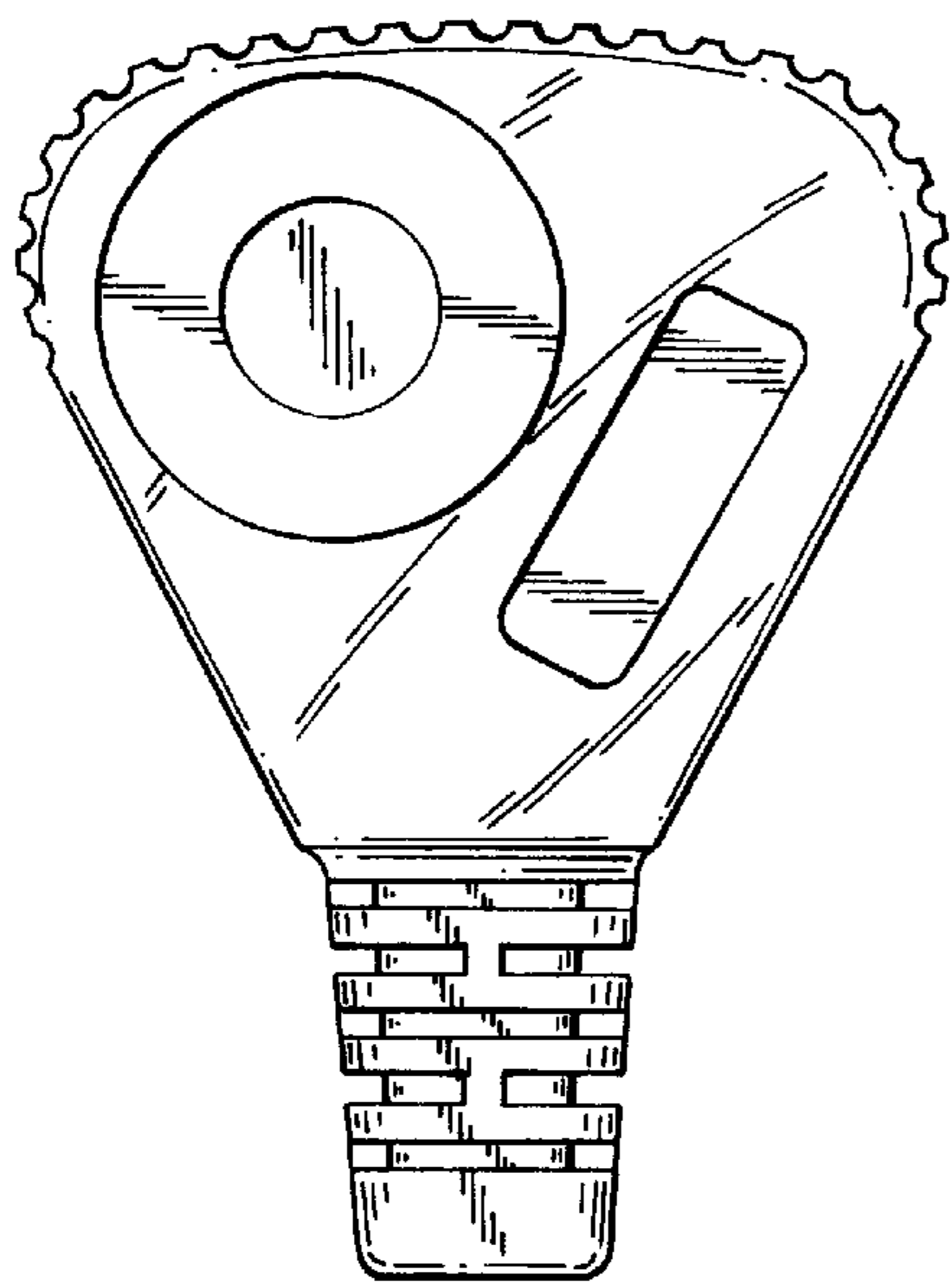


FIG. 4

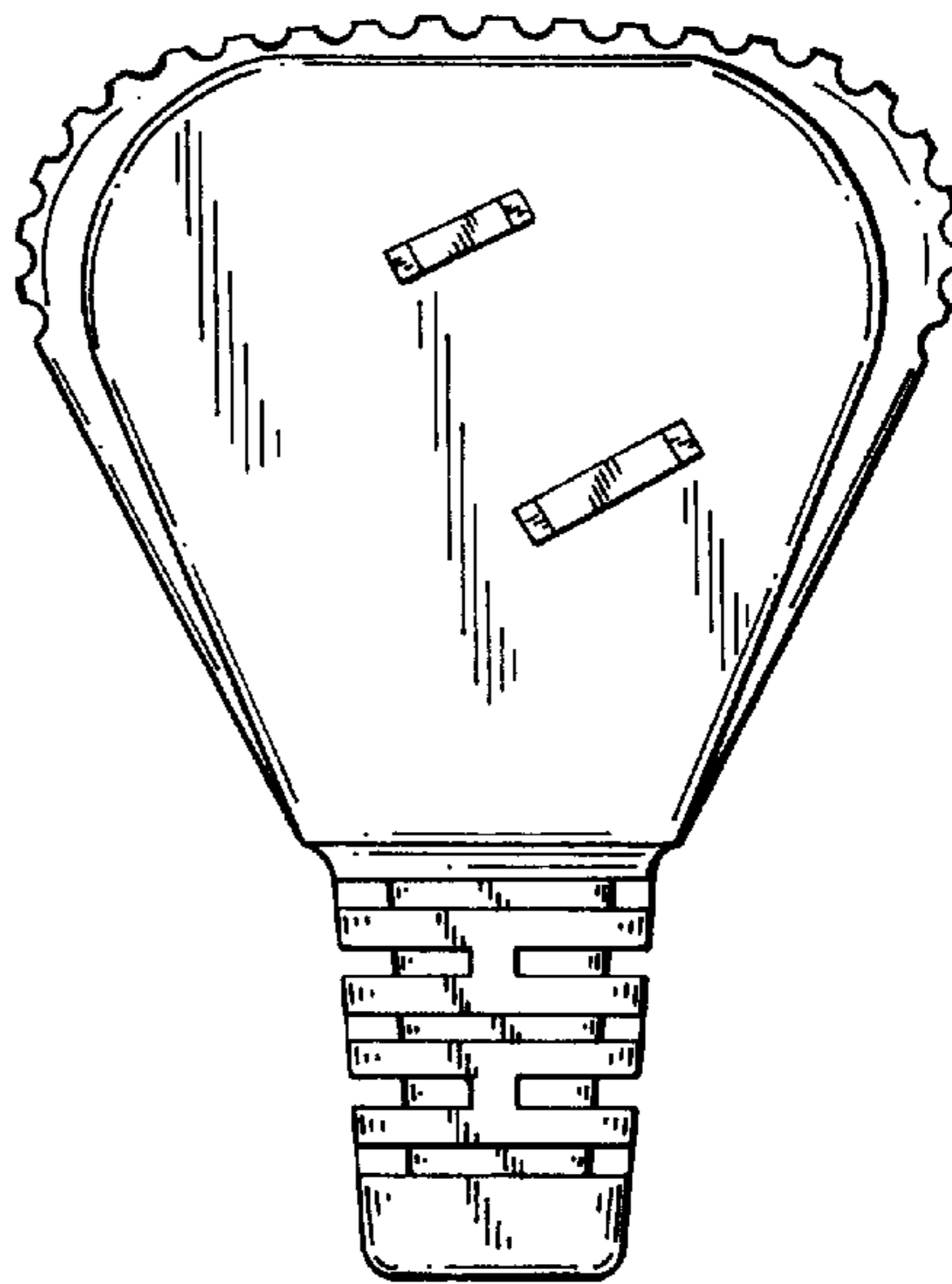


FIG. 5

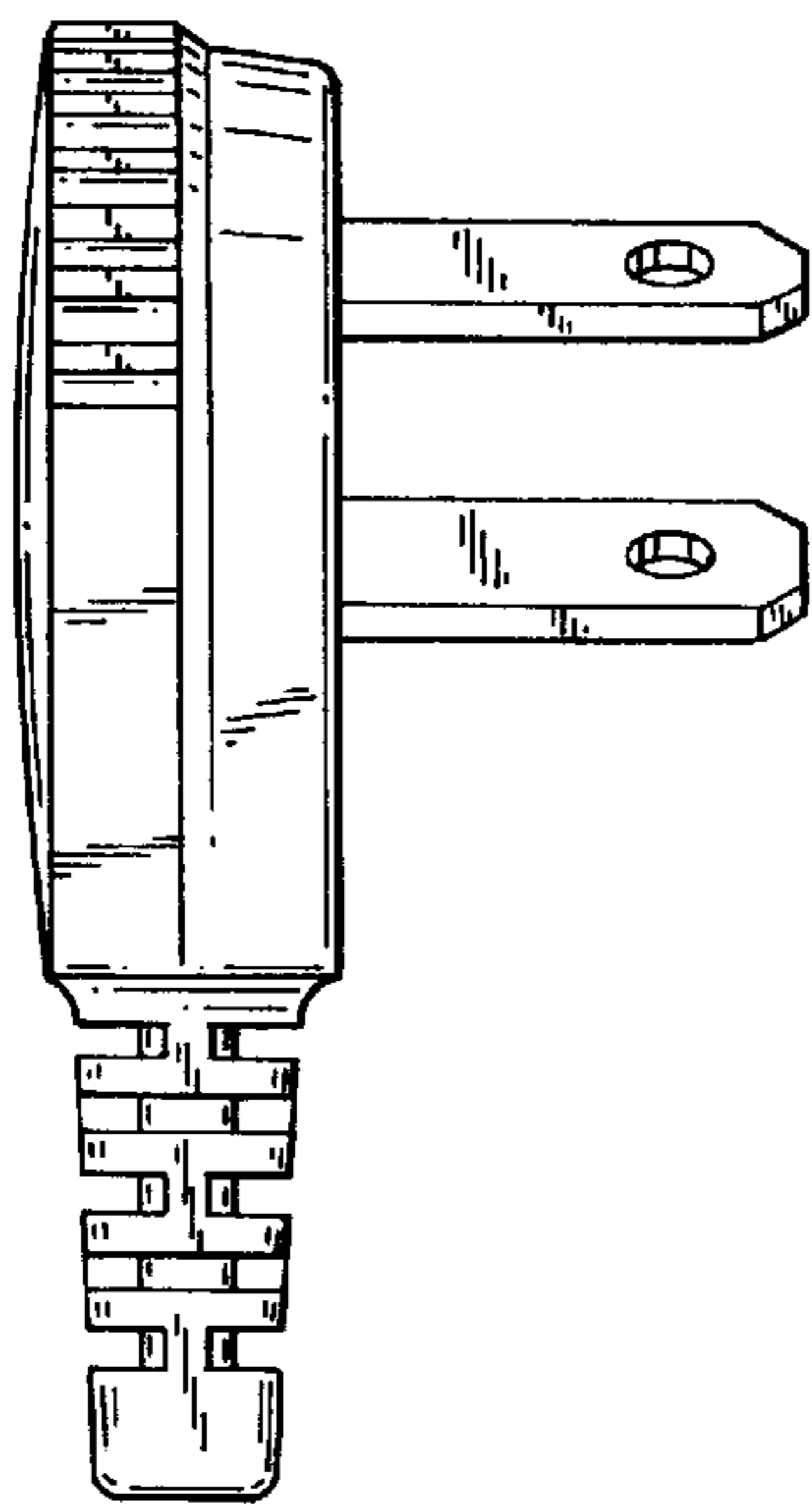


FIG. 6

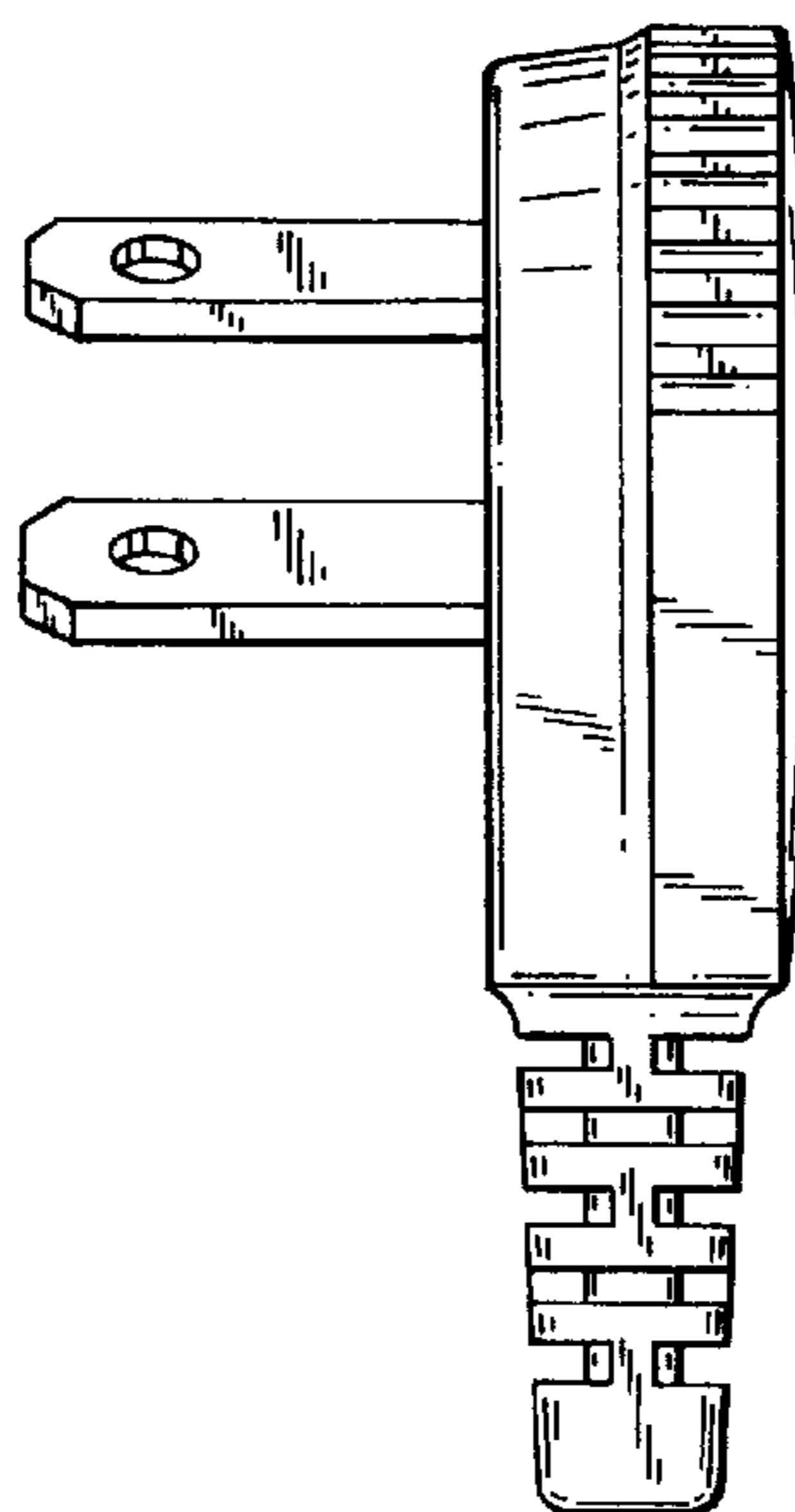


FIG. 7