



US00D413860S

# United States Patent [19] Matthews

[11] Patent Number: Des. 413,860

[45] Date of Patent: \*\* Sep. 14, 1999

## [54] DATA CONNECTOR PLUG FOR A PORTABLE PHONE

[75] Inventor: Michael Matthews, Poway, Calif.

[73] Assignee: QUALCOMM Incorporated, San Diego, Calif.

[\*\*] Term: 14 Years

[21] Appl. No.: 29/092,462

[22] Filed: Apr. 17, 1998

[51] LOC (6) Cl. .... 13-03

[52] U.S. Cl. .... D13/133

[58] Field of Search ..... D13/133; 439/668, 439/669, 677

## [56] References Cited

### U.S. PATENT DOCUMENTS

D. 233,239	10/1974	Welsh	.....	D13/133
D. 284,466	7/1986	Crowley et al.	.....	D13/133
D. 298,122	10/1988	Cronstrom	.....	D13/133
D. 401,218	11/1998	Brorsson et al.	.....	D13/133
5,161,990	11/1992	Ling et al.	.....	439/667 X

Primary Examiner—Joel Sincavage

Attorney, Agent, or Firm—Russell B. Miller; Charles D. Brown

## [57] CLAIM

The ornamental design for a data connector plug for a portable phone, as shown and described.

## DESCRIPTION

FIG. 1 is a top, front and left side perspective view of a data connector plug for a portable phone showing my new design.

FIG. 2 is a bottom, front and left side perspective view thereof.

FIG. 3 is a bottom side plan view thereof.

FIG. 4 is a right side elevational view thereof.

FIG. 5 is a top side plan view thereof.

FIG. 6 is a left side elevational view thereof.

FIG. 7 is a front elevational view thereof.

FIG. 8 is a rear side elevational view thereof.

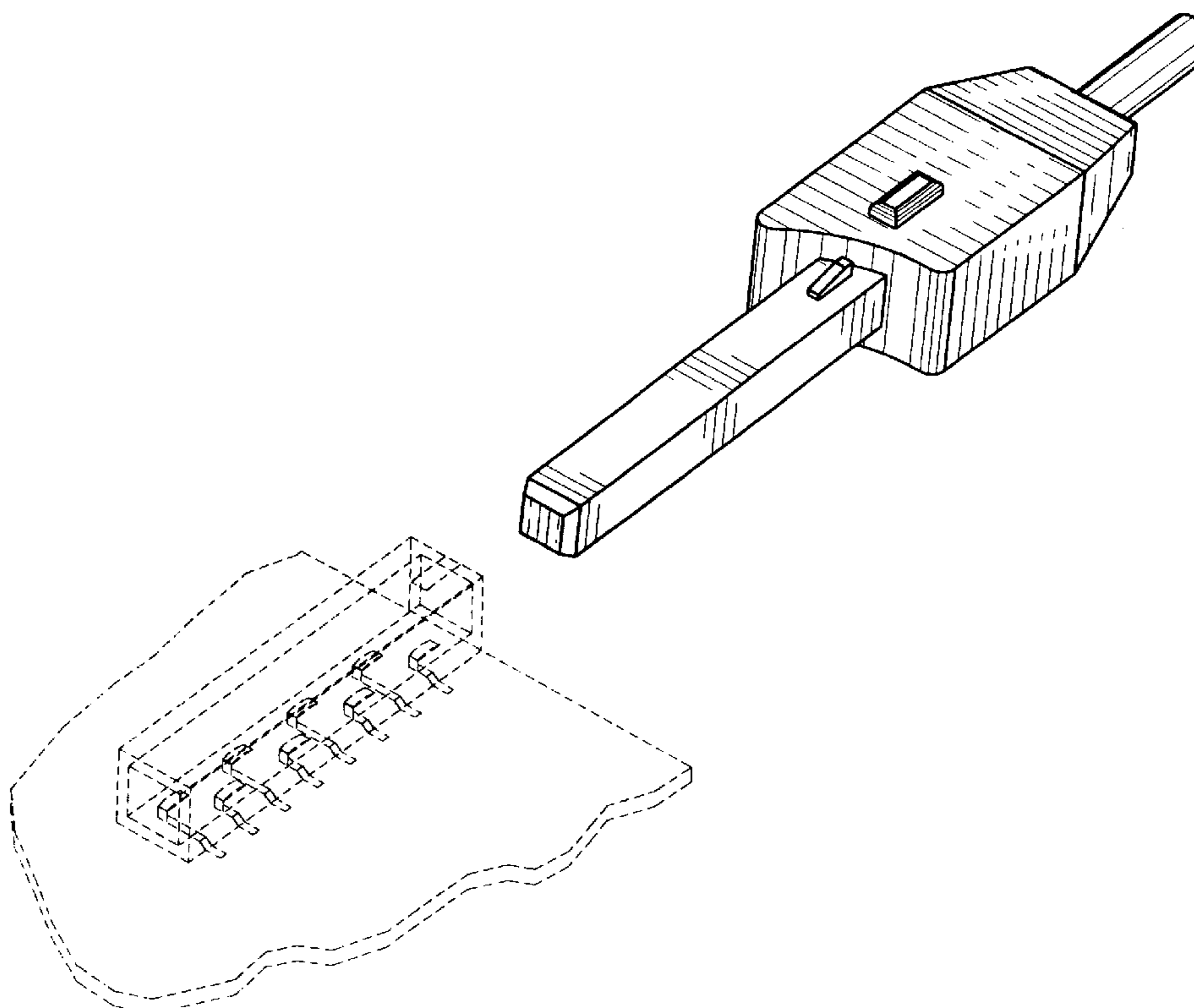
FIG. 9 is a top, front and left side perspective view thereof shown juxtaposed with a mating socket shown mounted on a portion of a wall of a portable phone, the socket and portion of the wall shown in phantom.

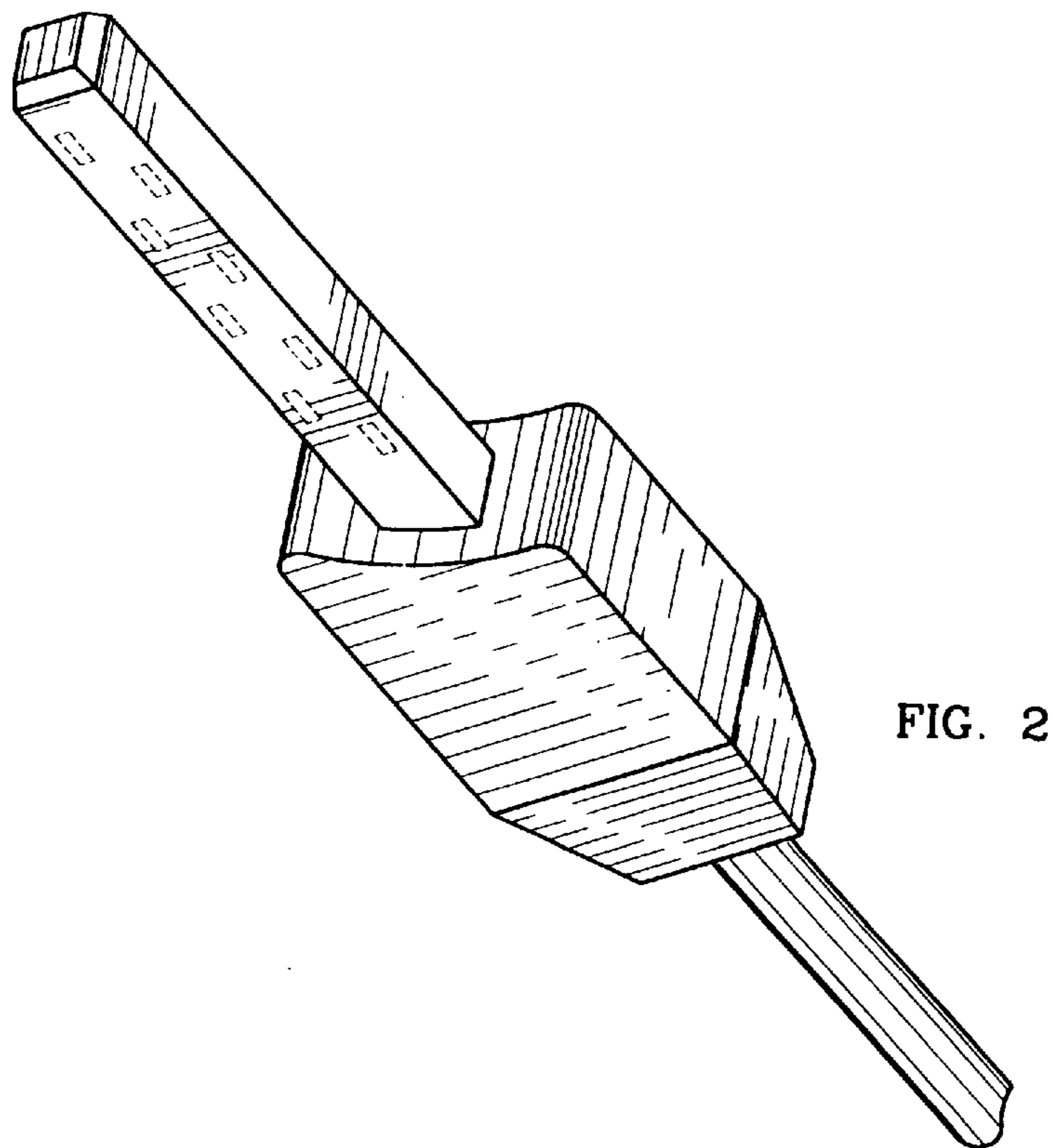
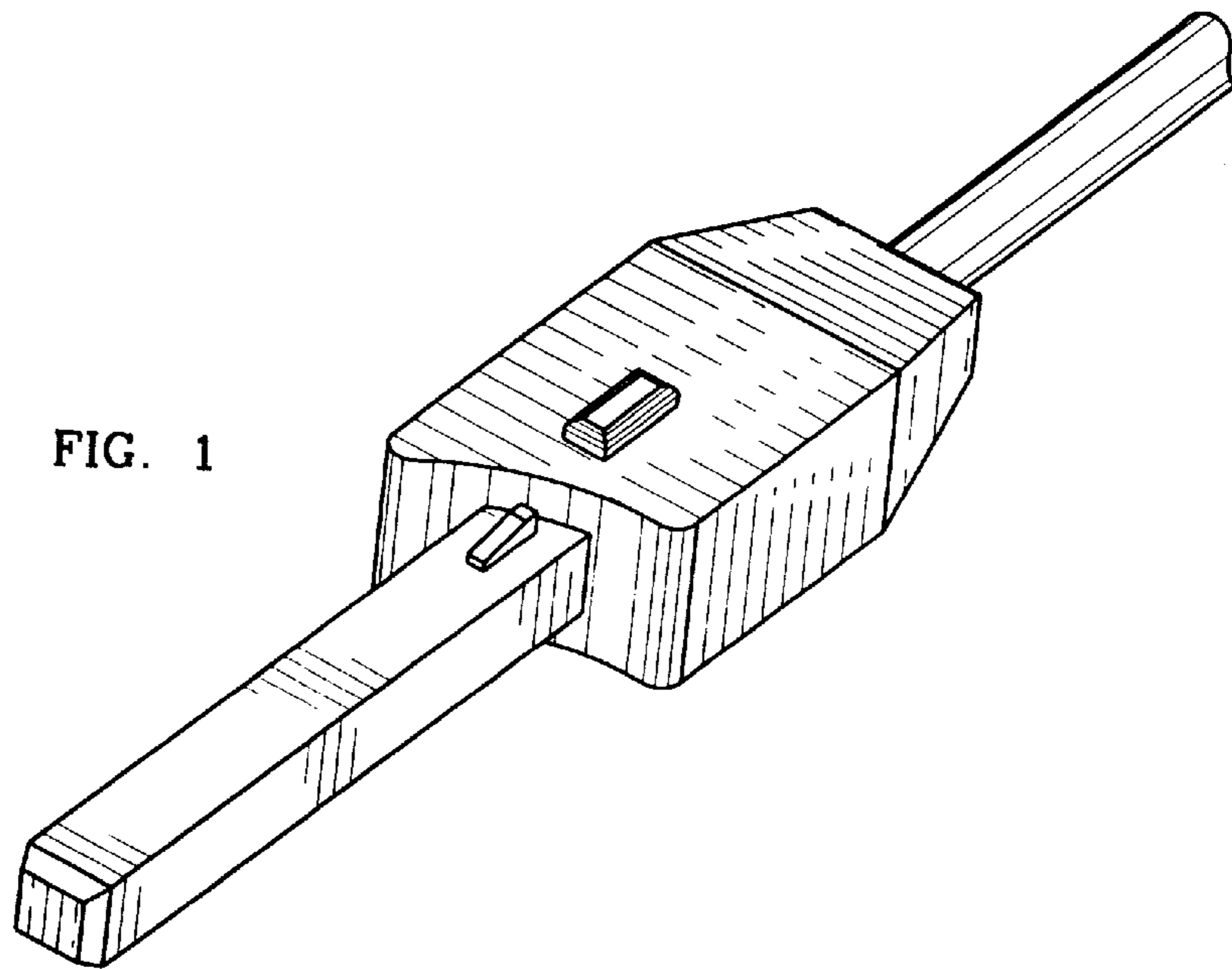
FIG. 10 is a top, front and left side perspective view thereof shown partially inserted into the mating socket shown in phantom; and,

FIG. 11 is a top, front and left side perspective view thereof shown fully inserted into the mating socket shown in phantom.

The broken lines in FIGS. 2 and 3 show features of the plug which are not included in the claimed design and the broken lines in FIGS. 9–11 illustrate environmental structure only which forms no part of the claimed design.

1 Claim, 3 Drawing Sheets





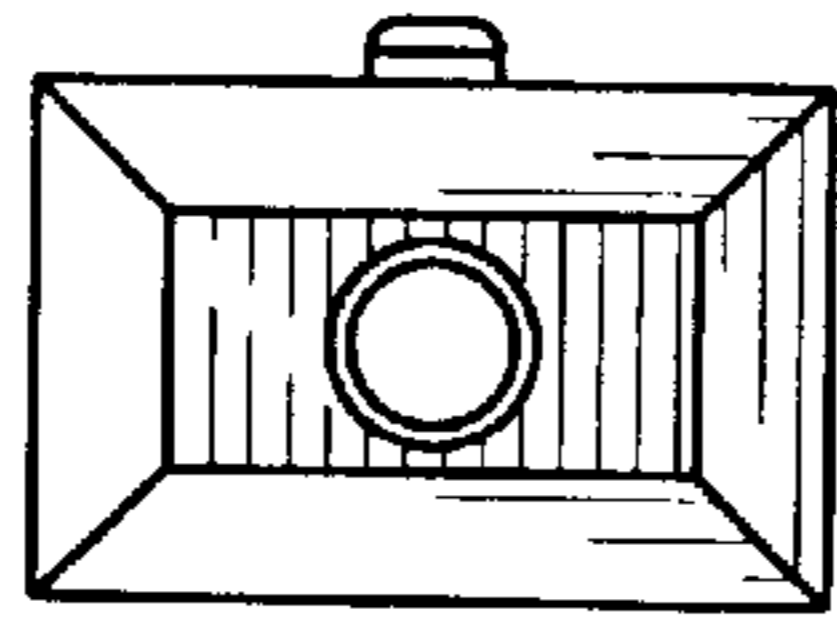


FIG. 8

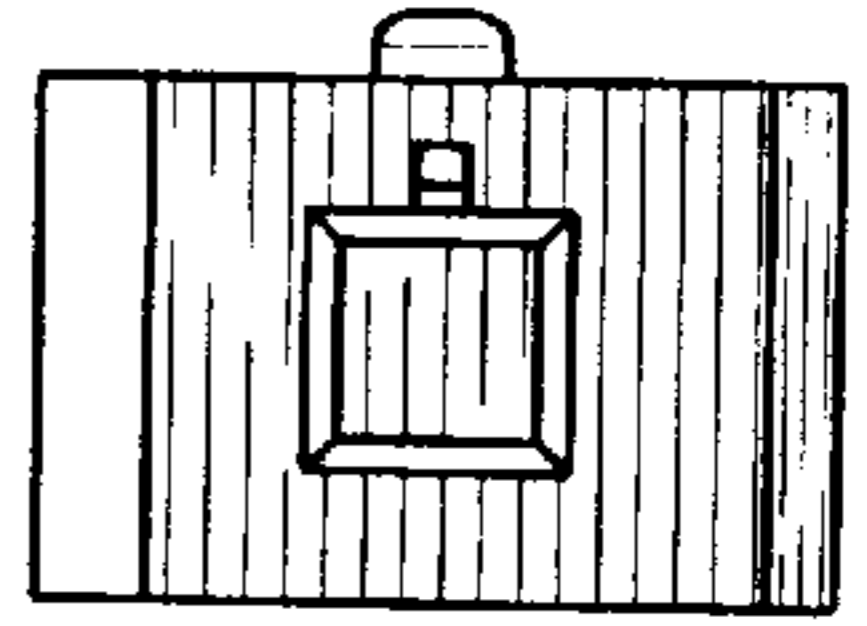


FIG. 7

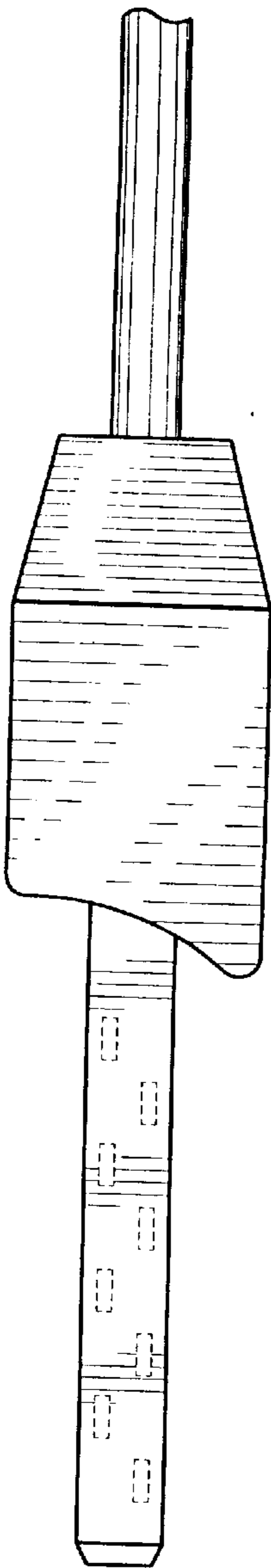


FIG. 3

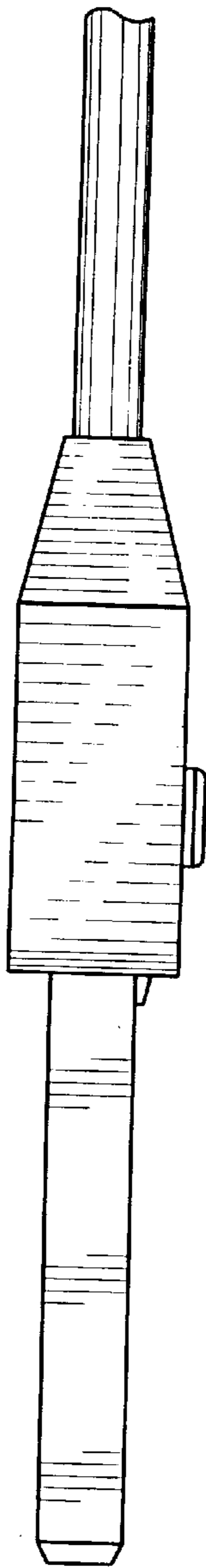


FIG. 4

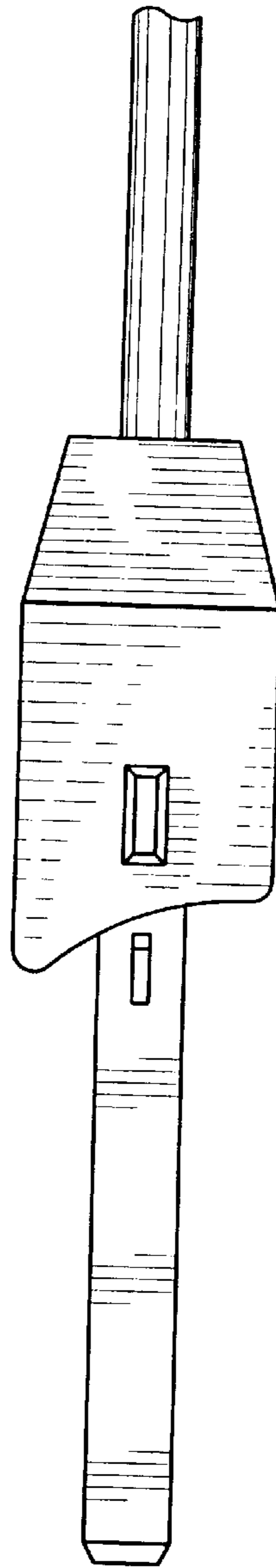


FIG. 5

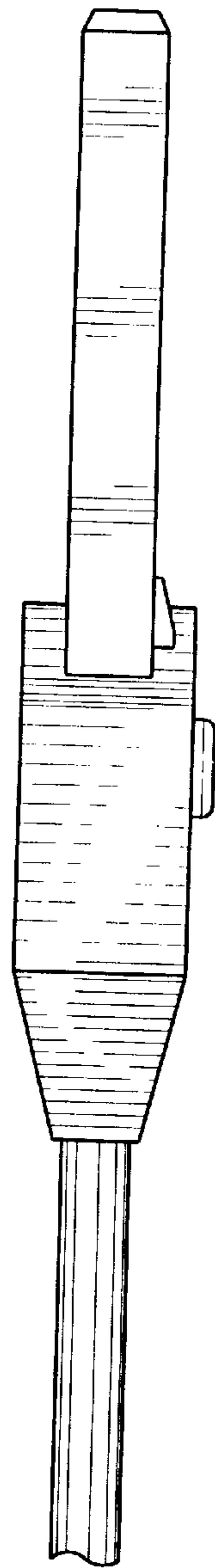


FIG. 6

FIG. 9

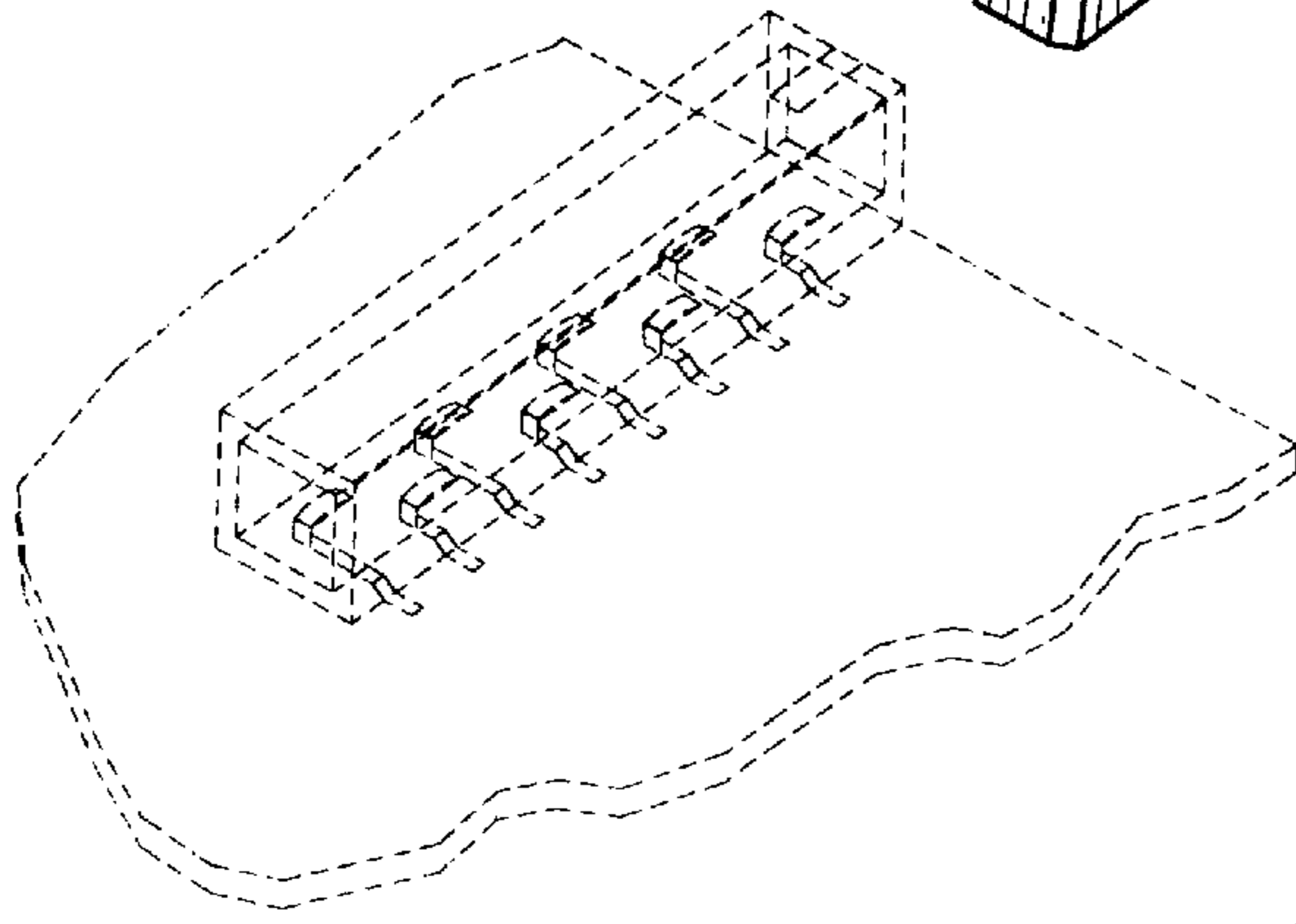
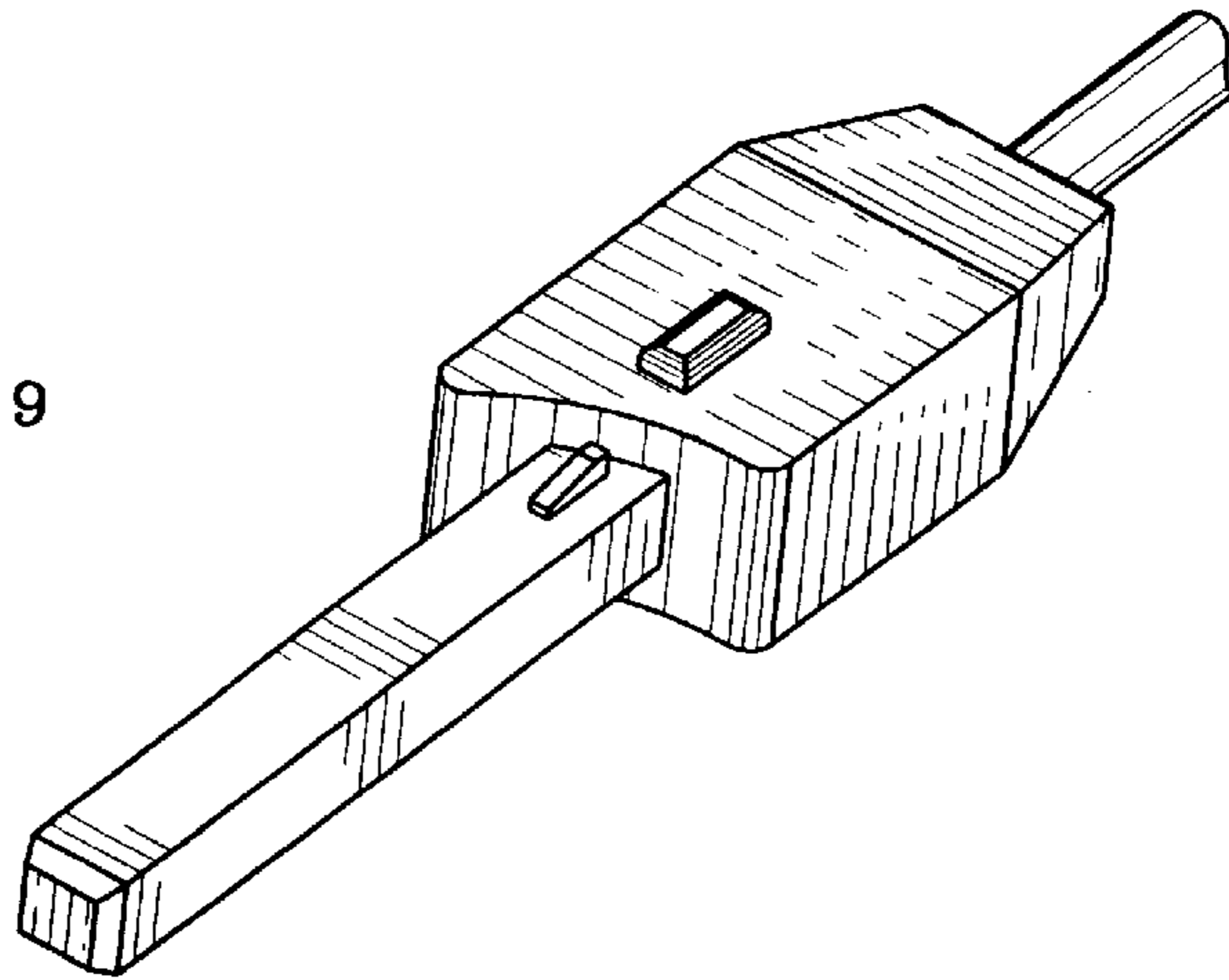


FIG. 10

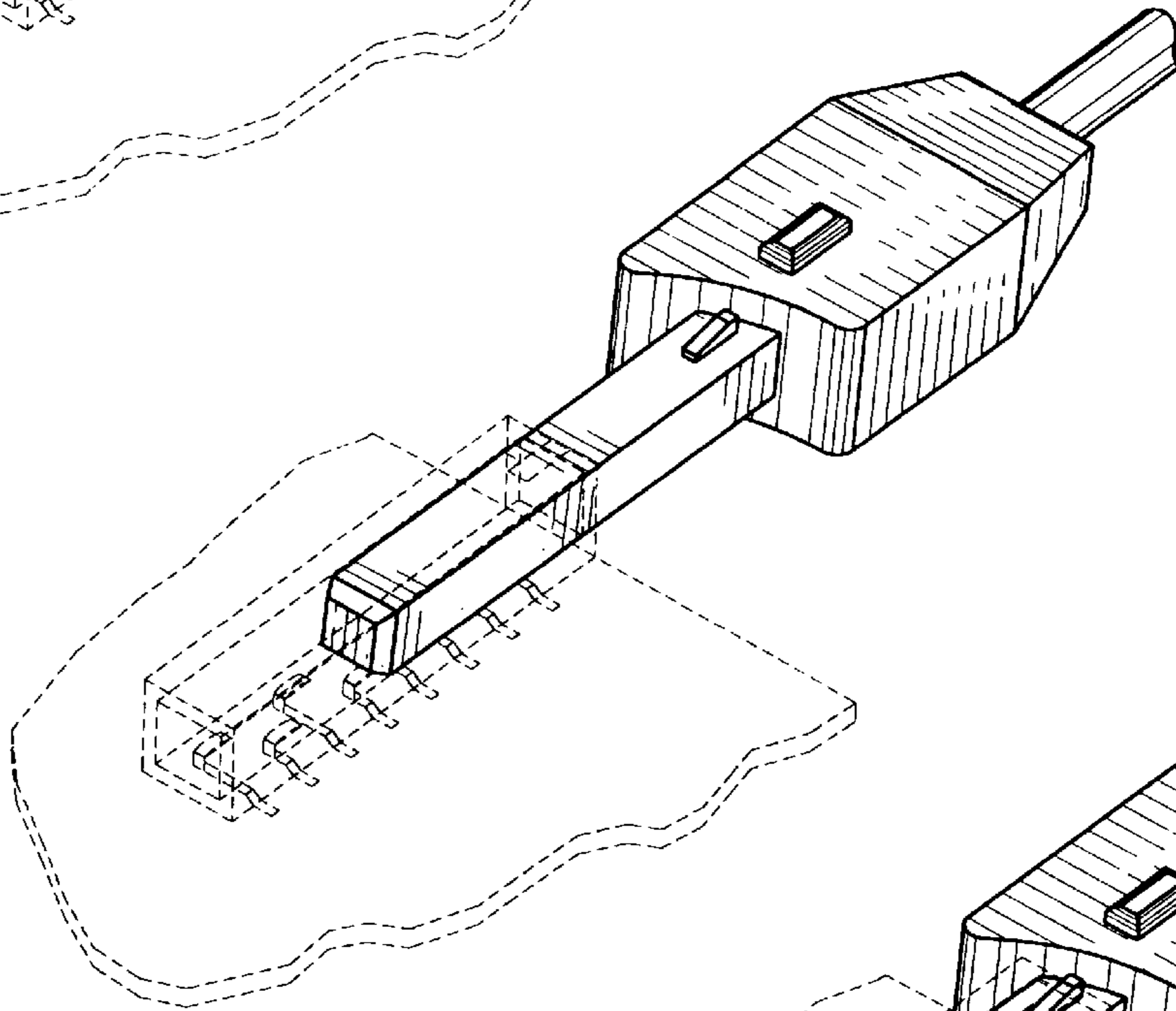


FIG. 11

