



US00D413858S

United States Patent [19]

Murakami et al.

[11] Patent Number: **Des. 413,858**

[45] Date of Patent: **** Sep. 14, 1999**

[54] **RECHARGEABLE BATTERY**

[75] Inventors: **Shigeru Murakami; Ryoichi Yamane,**
both of Tokyo; **Toshimitsu Masuko,**
Koriyama, all of Japan

[73] Assignee: **Sony Corporation,** Tokyo, Japan

[**] Term: **14 Years**

[21] Appl. No.: **29/088,687**

[22] Filed: **May 29, 1998**

[51] **LOC (6) Cl.** **13-02**

[52] **U.S. Cl.** **D13/103**

[58] **Field of Search** D13/103; 439/96-100,
439/66, 76

[56] **References Cited**

U.S. PATENT DOCUMENTS

D. 393,829	4/1998	Shimizu .	
3,595,129	7/1971	Kohen	429/55
3,963,519	6/1976	Louie .	
4,131,722	12/1978	Sugalski	429/55
4,666,800	5/1987	Bechtold et al.	429/176 X
4,670,362	6/1987	Wiacek et al.	429/163 X

5,321,584	6/1994	Matheny	429/96 X
5,373,105	12/1994	Nagaune et al. .	
5,660,942	8/1997	Kothari	429/54

OTHER PUBLICATIONS

Battery Engineering, Inc., "Electronic Design," p. 94, Feb. 4, 1993.

Primary Examiner—Joel Sincavage
Attorney, Agent, or Firm—Foley & Lardner

[57] **CLAIM**

The ornamental design for a rechargeable battery, as shown and described.

DESCRIPTION

FIG. 1 is a perspective view of a rechargeable battery showing our new design;
FIG. 2 is a top plan view thereof;
FIG. 3 is a left side elevational view thereof;
FIG. 4 is a front elevational view thereof;
FIG. 5 is a bottom plan view thereof;
FIG. 6 is a right side elevational view thereof; and,
FIG. 7 is a rear elevational view thereof.

1 Claim, 3 Drawing Sheets

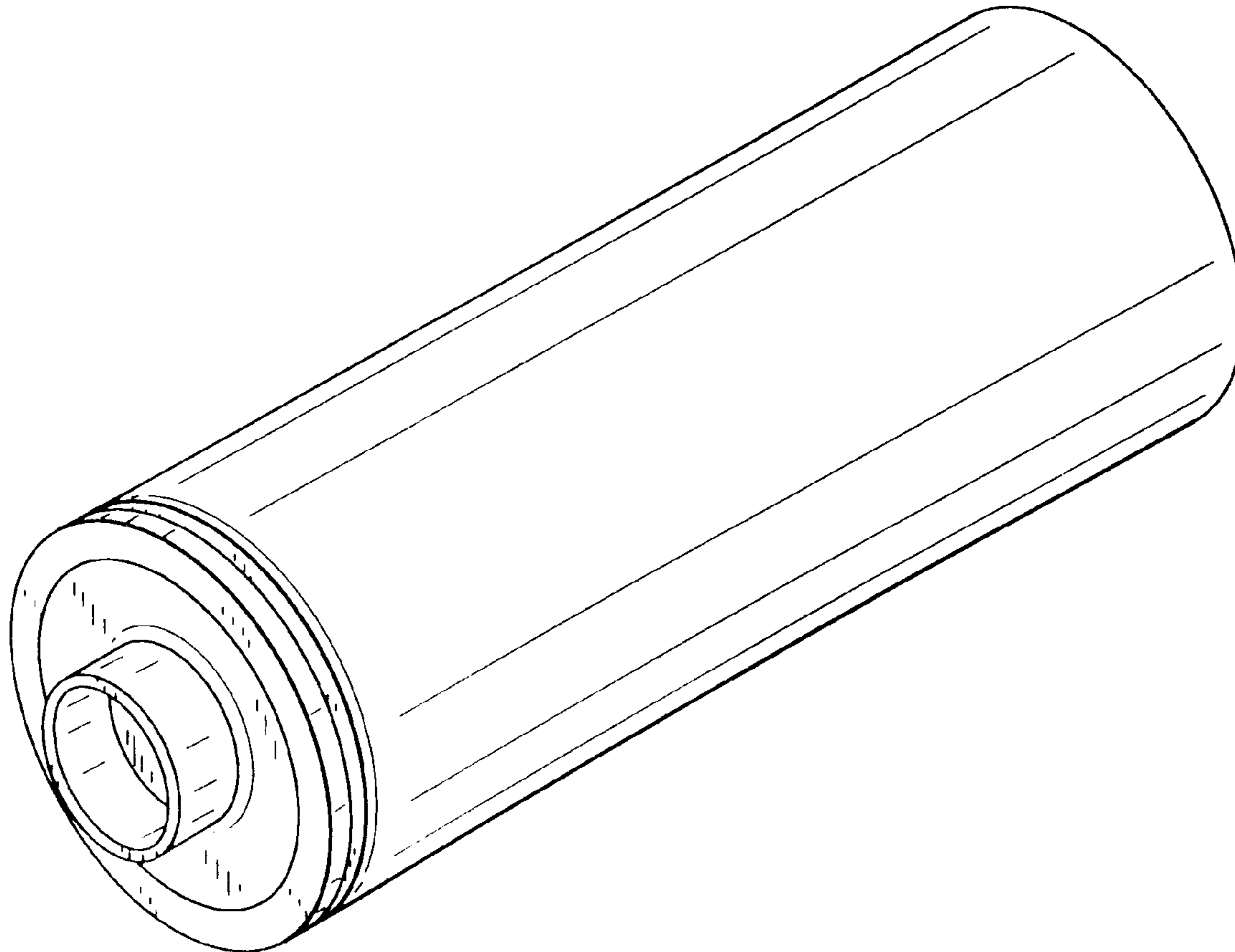


FIG. 1

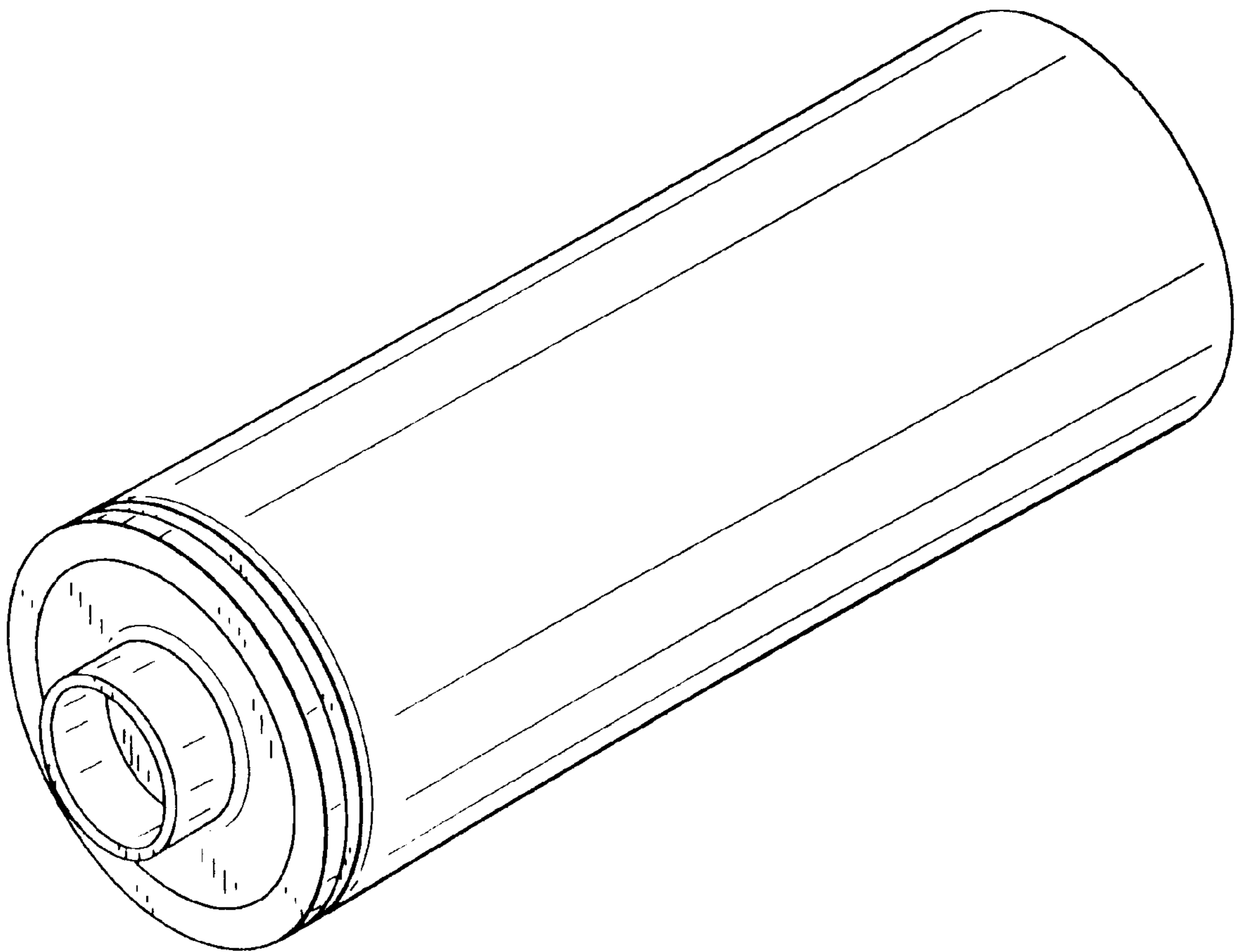


FIG. 2

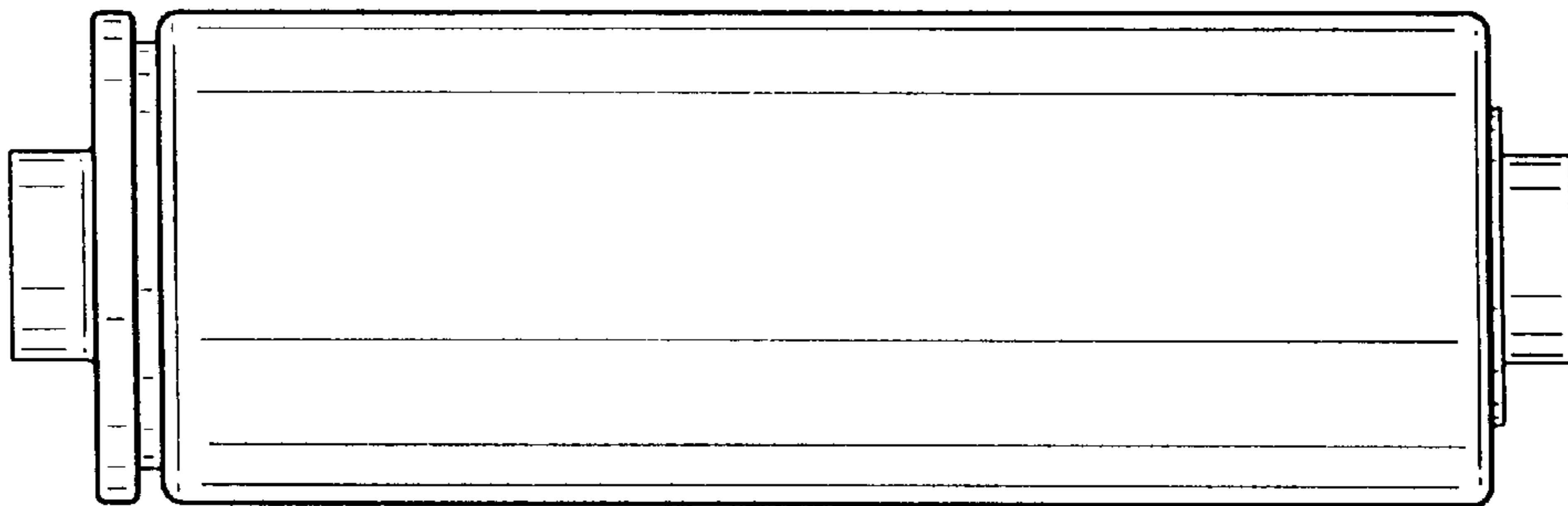


FIG. 4

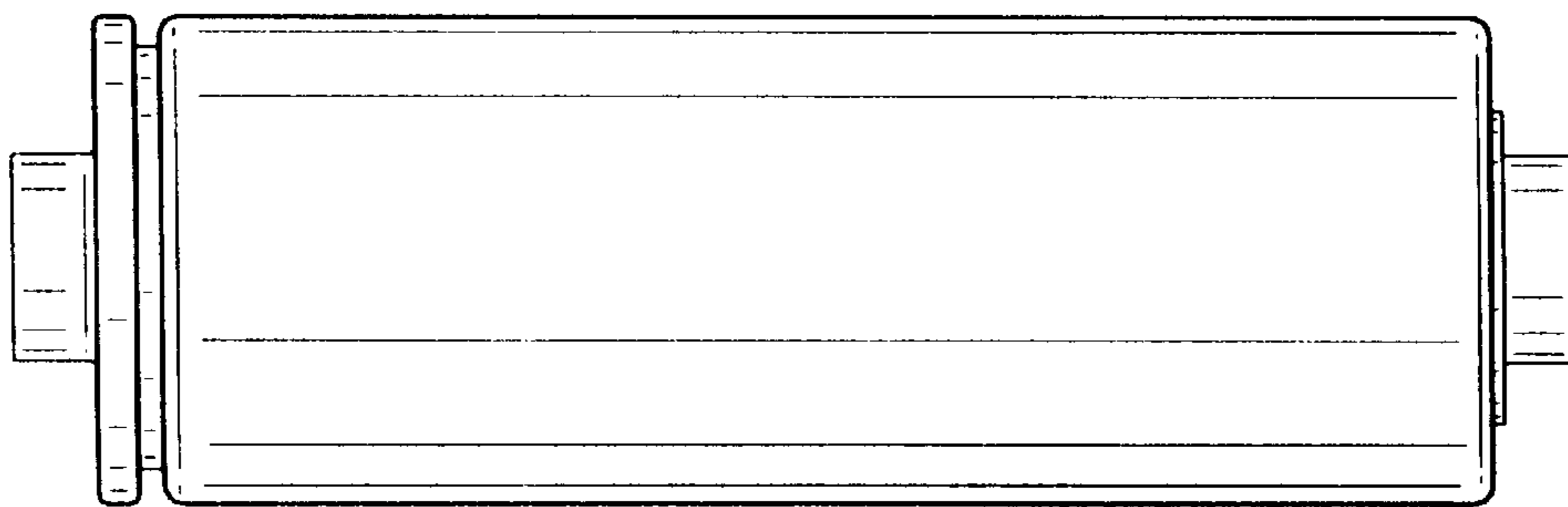


FIG. 5

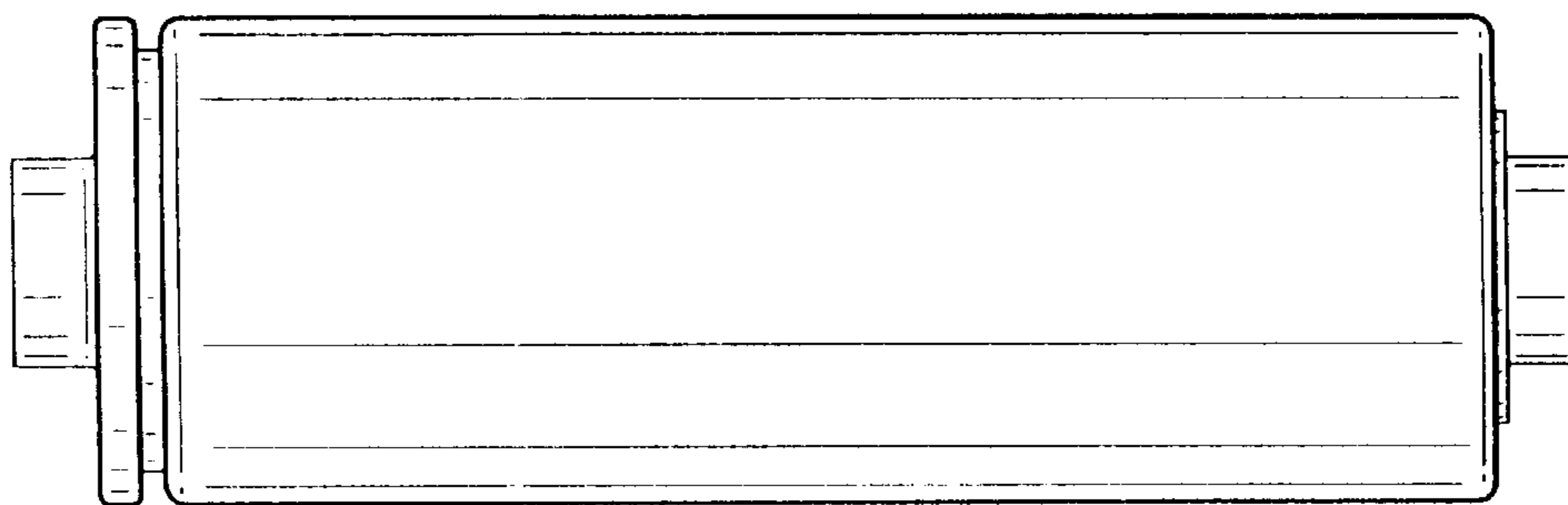


FIG. 6

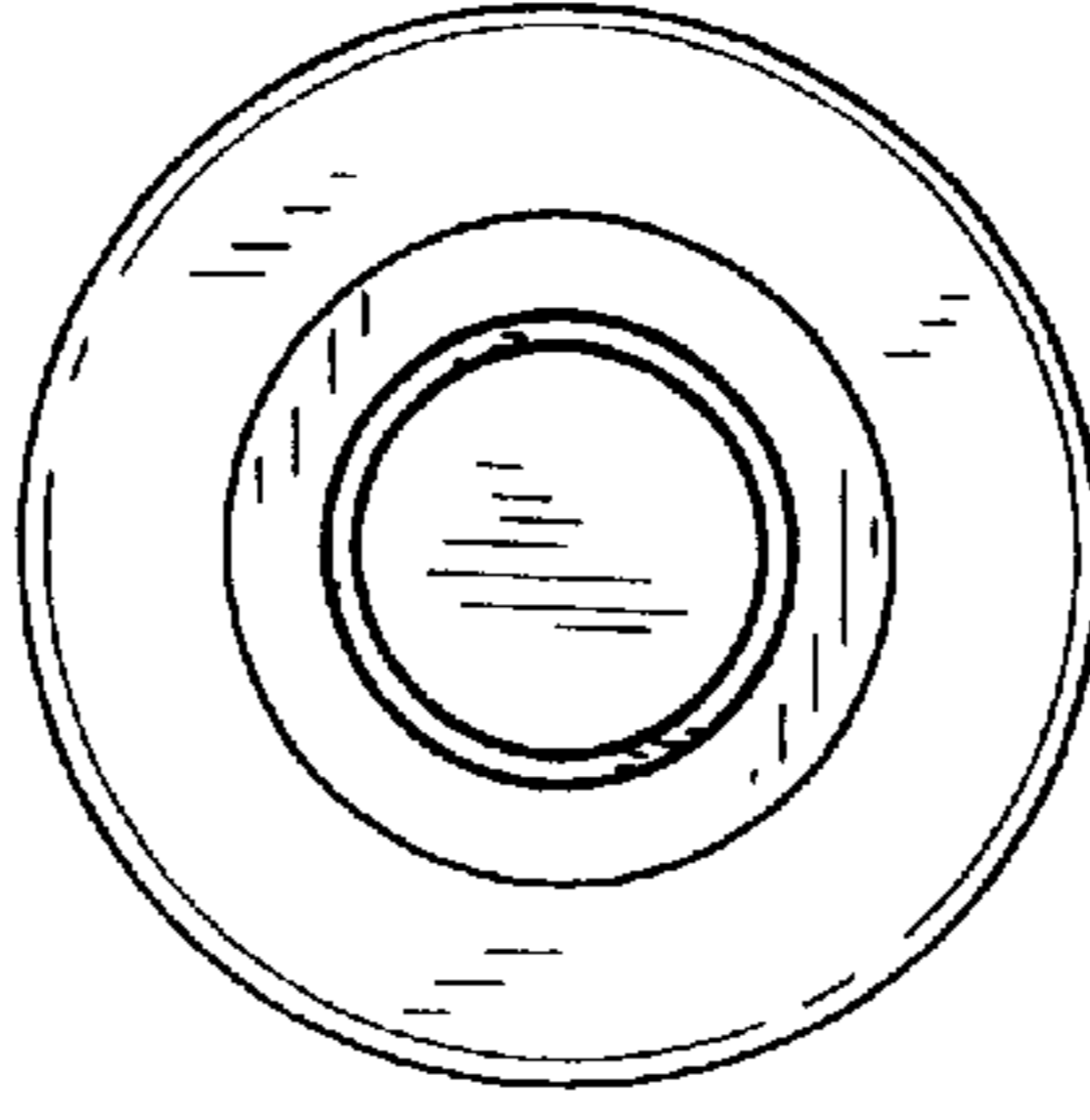


FIG. 7

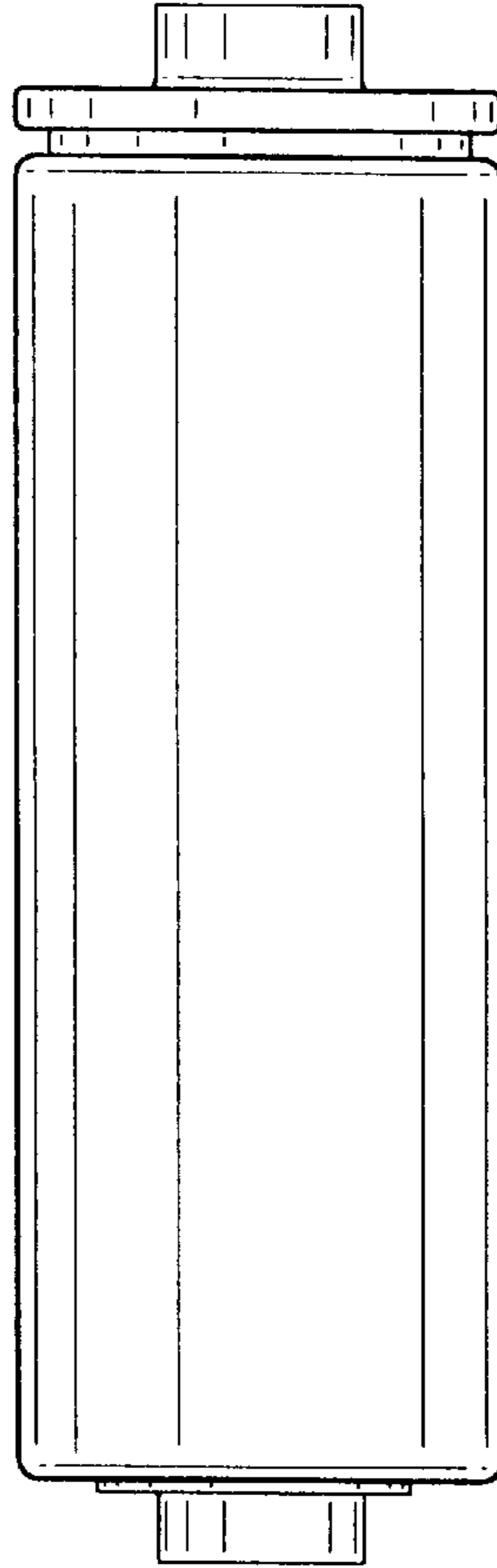


FIG. 3

