



US00D413856S

United States Patent [19]
Scribner

[11] **Patent Number: Des. 413,856**

[45] **Date of Patent: ** Sep. 14, 1999**

[54] **OVERHEAD CONSOLE WITH FLIP-DOWN TELEVISION SCREEN FOR A MOTOR VEHICLE**

[75] Inventor: **Paul Scribner**, Elkhart, Ind.

[73] Assignee: **ASA Electronics Corporation**, Elkhart, Ind.

[**] Term: **14 Years**

[21] Appl. No.: **29/091,045**

[22] Filed: **Jun. 12, 1998**

[51] **LOC (6) Cl.** **12-16**

[52] **U.S. Cl.** **D12/418; D14/132**

[58] **Field of Search** **D12/415, 418; 296/37.1, 37.8, 37.7, 70; 224/311, 539; 180/90; D14/124-126, 129, 113, 132-133, 100**

[56] **References Cited**

U.S. PATENT DOCUMENTS

D. 320,587	10/1991	Kapp et al.	D12/418
D. 339,780	9/1993	Burdick	D12/418
D. 340,016	10/1993	Falcoff	D12/418
D. 340,017	10/1993	Falcoff	D12/418
D. 340,215	10/1993	Falcoff	D12/418
D. 391,926	3/1998	Brunner et al.	D14/100
D. 394,432	5/1998	Rosen	D14/132
D. 399,503	10/1998	Rosen	D14/132

5,040,990	8/1991	Suman et al.	296/37.7 X
5,775,762	7/1998	Vitito	296/37.7

Primary Examiner—Doris V. Coles
Assistant Examiner—Stacia Sinuik
Attorney, Agent, or Firm—Baker & Daniels

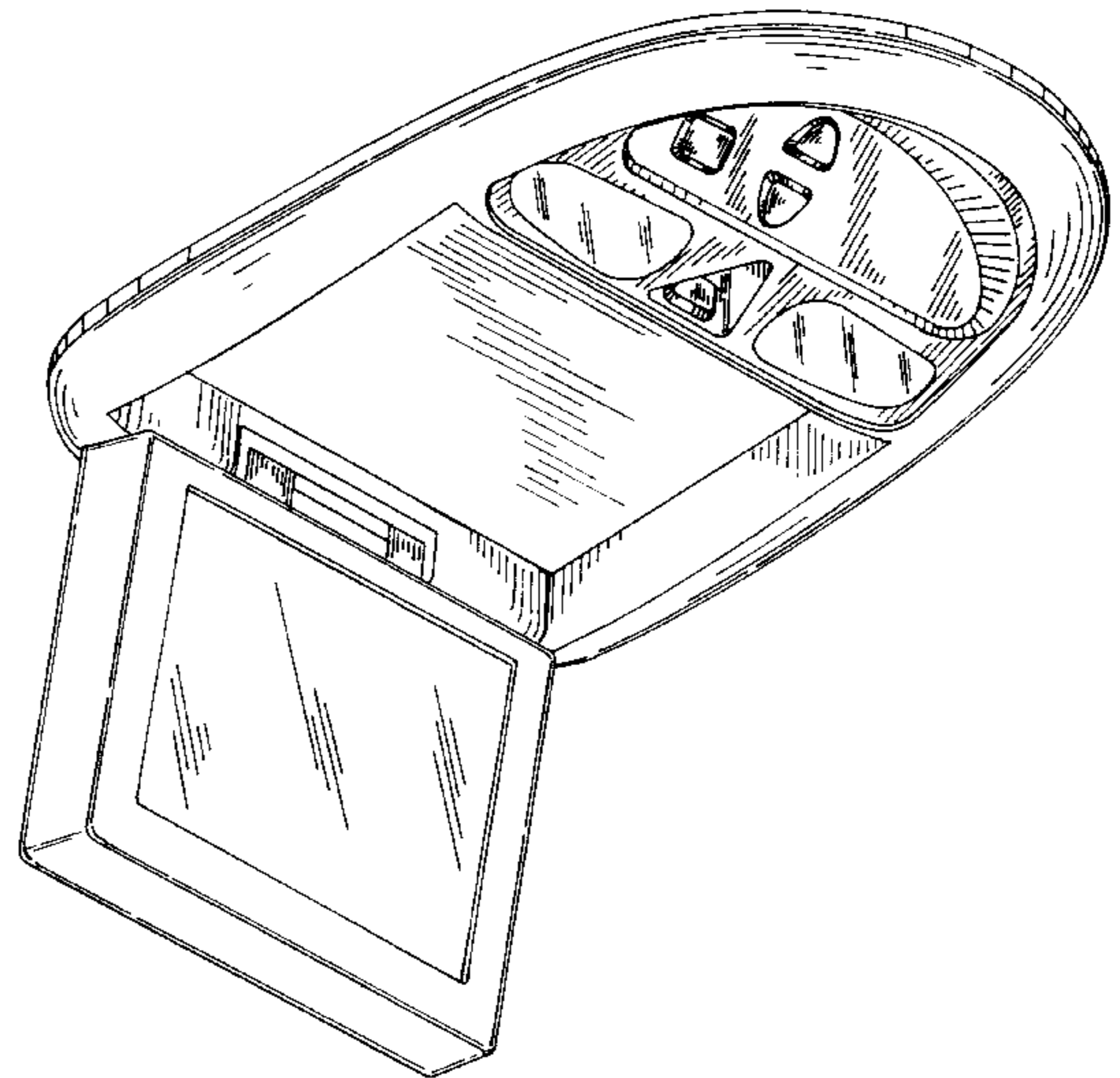
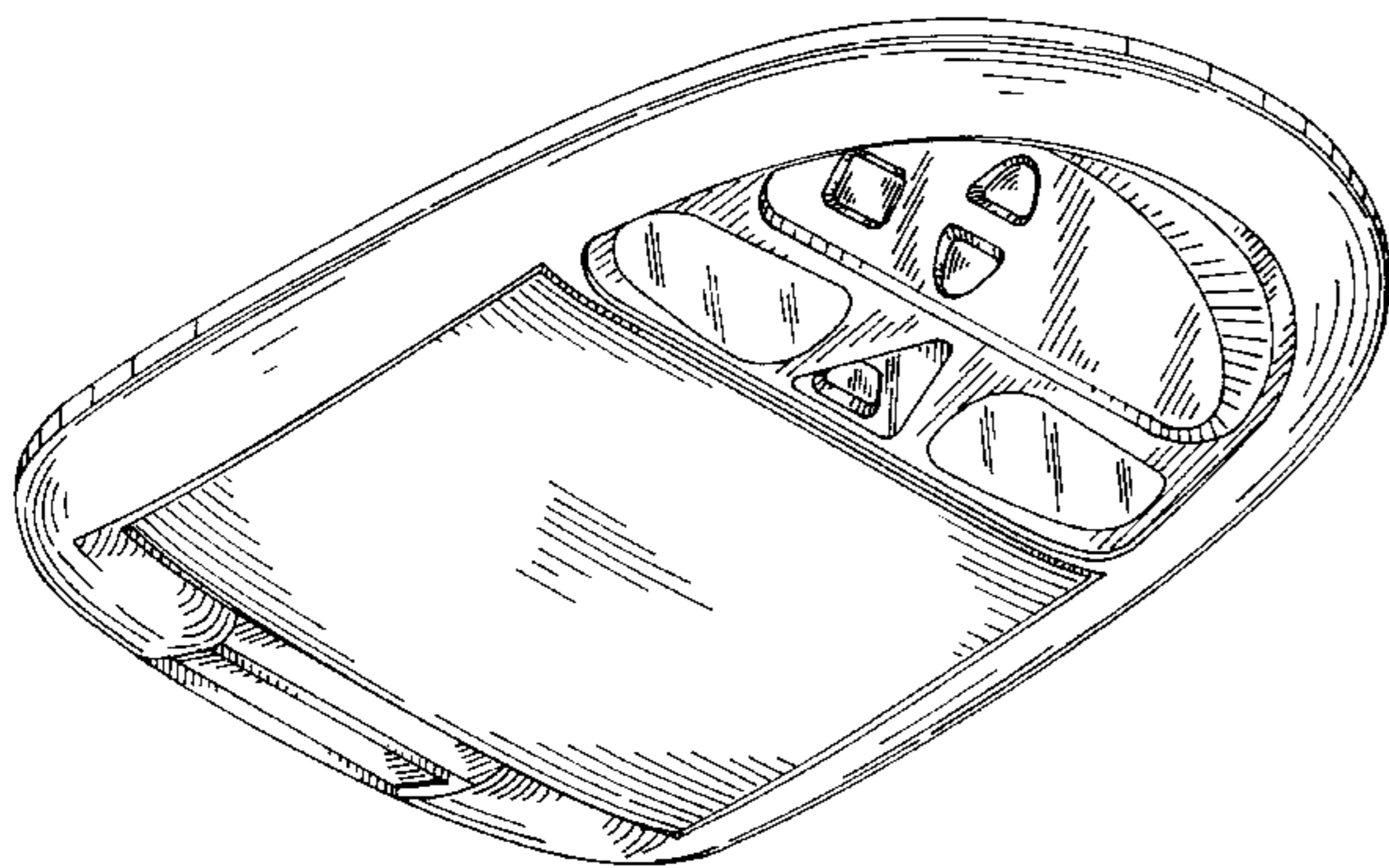
[57] **CLAIM**

The ornamental design for an overhead console with flip-down television screen for a motor vehicle, as shown and described.

DESCRIPTION

FIG. 1 is a view in perspective, taken from below and to the left side and rear side, of an overhead console with flip-down television screen for a vehicle, the television screen being in the raised position, showing my new design;
FIG. 2 is an enlarged bottom plan view thereof;
FIG. 3 is an enlarged front elevational view thereof;
FIG. 4 is an enlarged rear elevational view thereof;
FIG. 5 is an enlarged right side elevational view thereof;
FIG. 6 is an enlarged left side elevational view thereof;
FIG. 7 is a perspective view of the overhead console with flip-down television screen for a vehicle, with the television screen shown in lowered position;
FIG. 8 is an enlarged rear elevational view of FIG. 7; and,
FIG. 9 is an enlarged right side view of FIG. 7, the left side being a mirror image thereof.
The top of my design is unornamented.

1 Claim, 7 Drawing Sheets



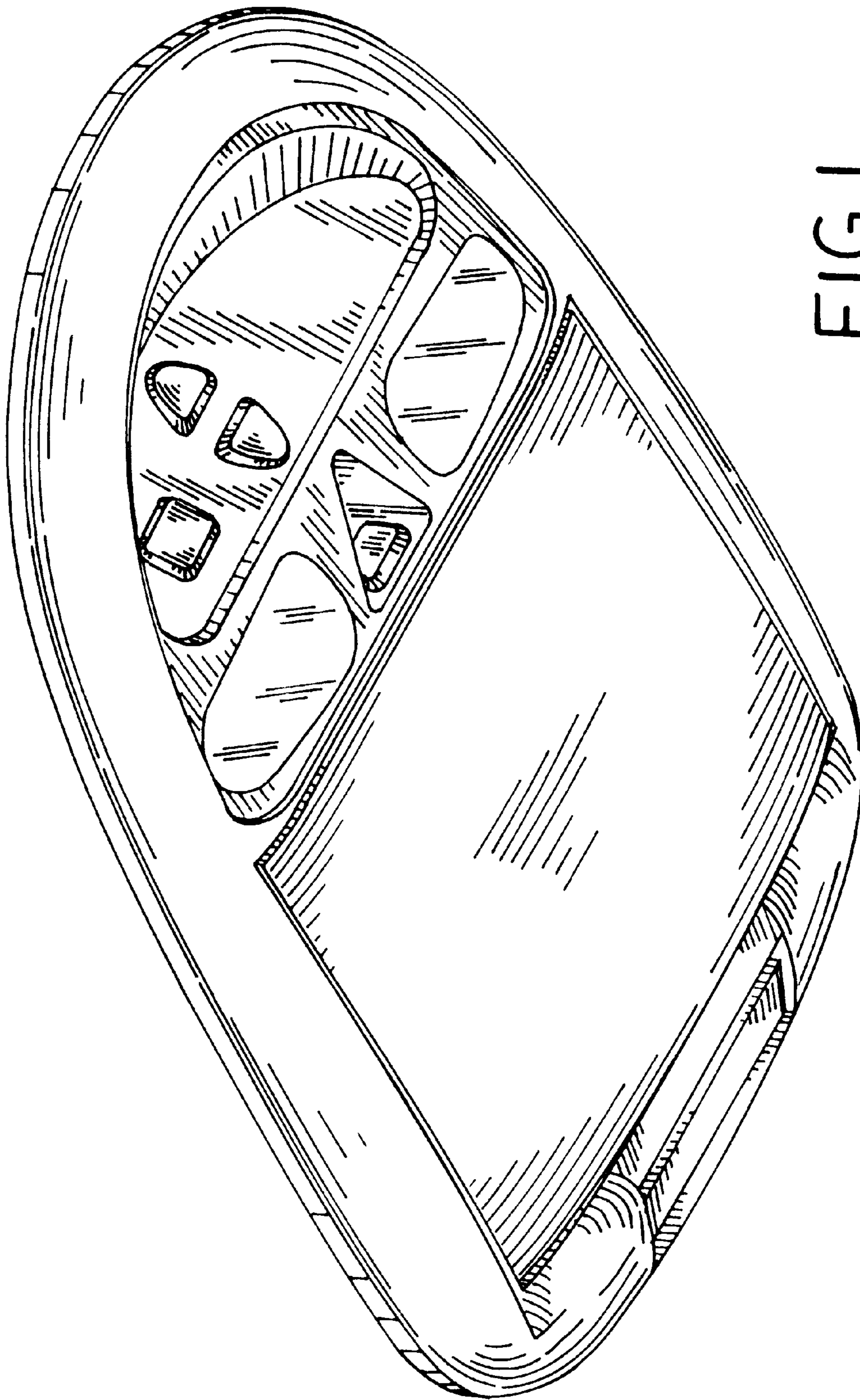


FIG. 1

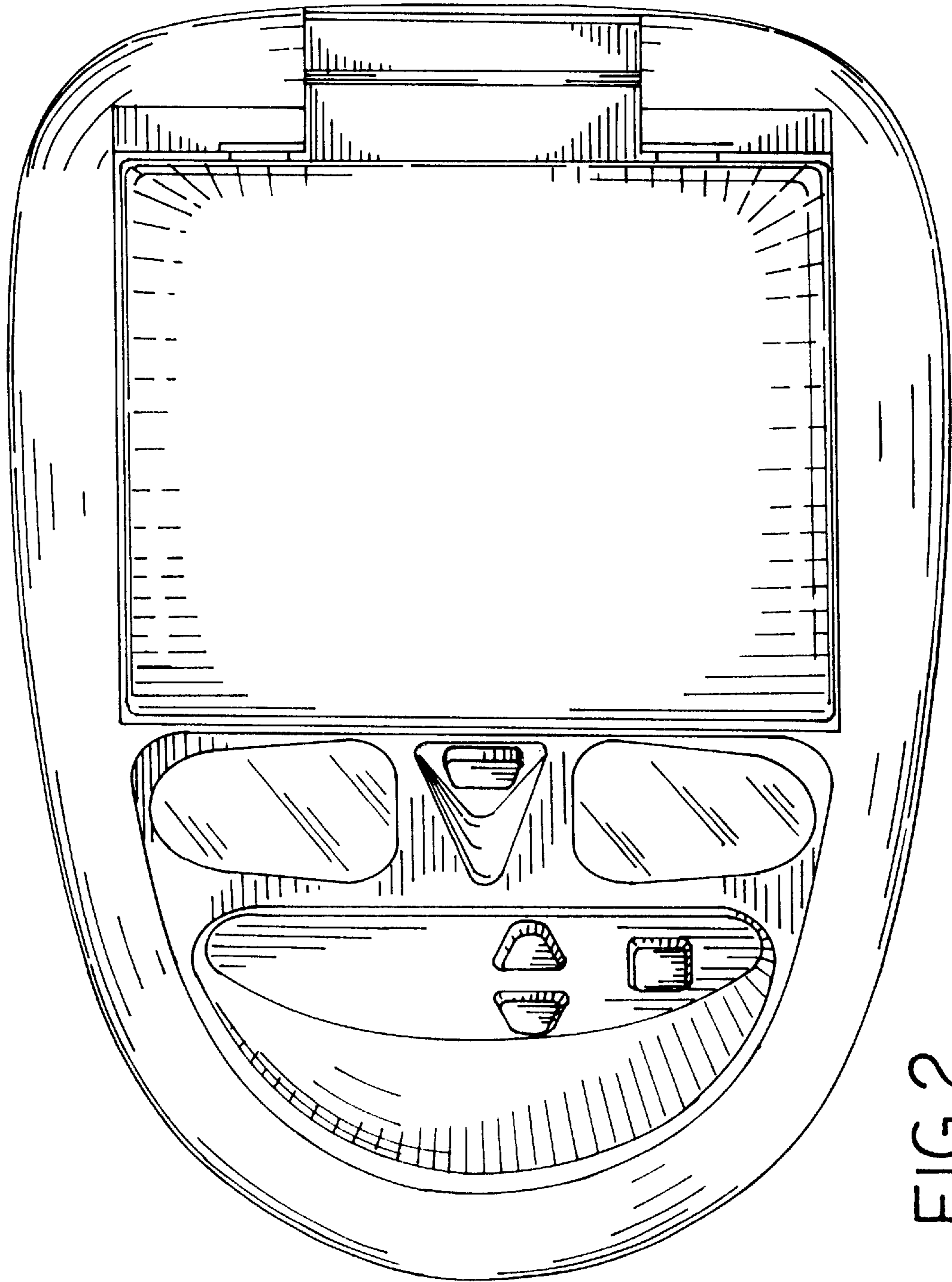


FIG. 2

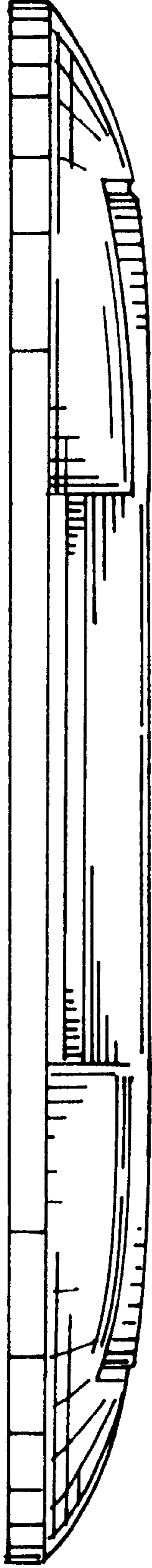


FIG. 3

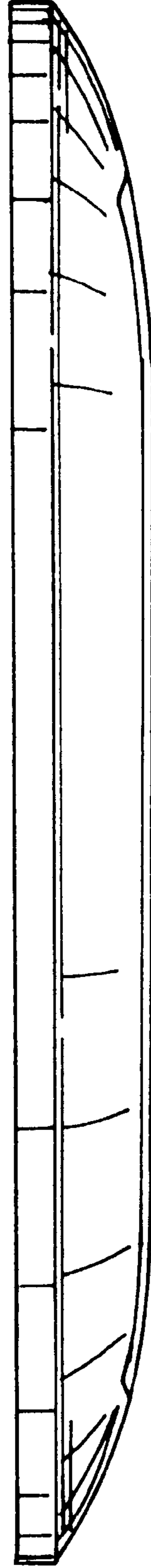


FIG. 4

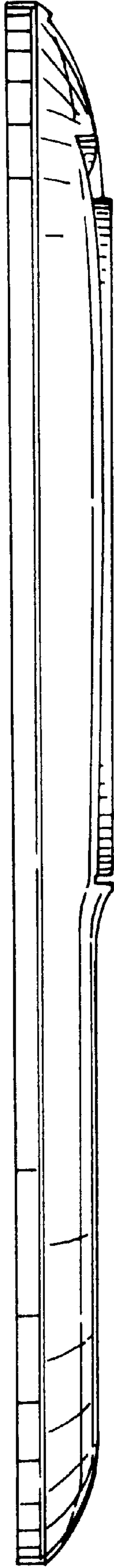


FIG. 5

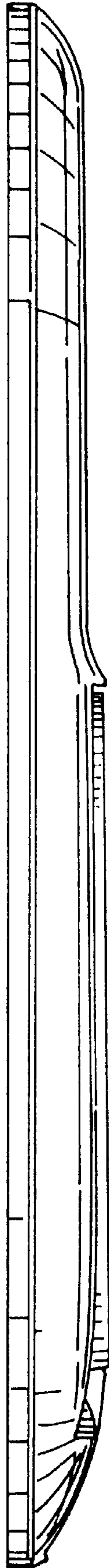


FIG. 6

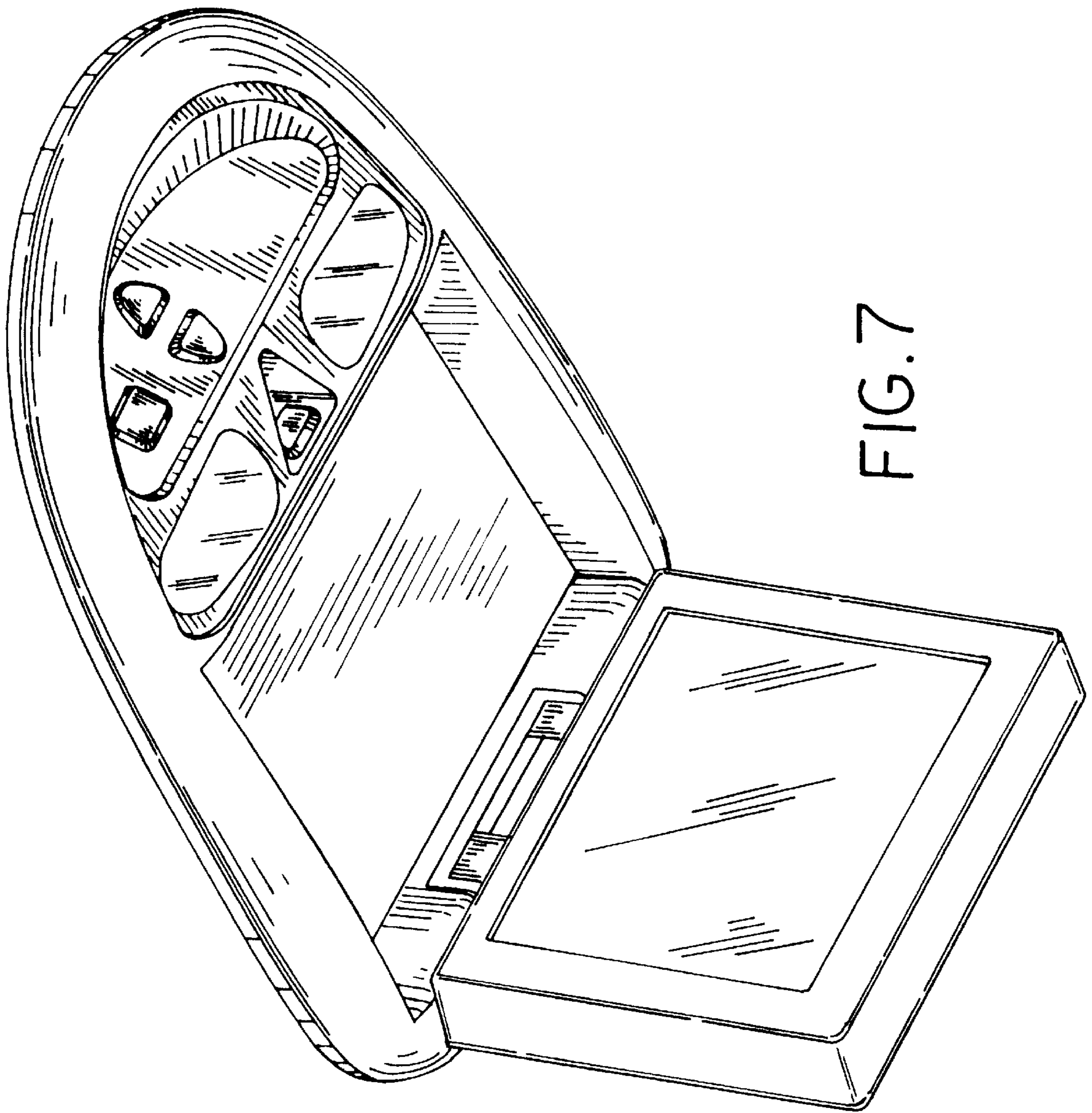


FIG. 7

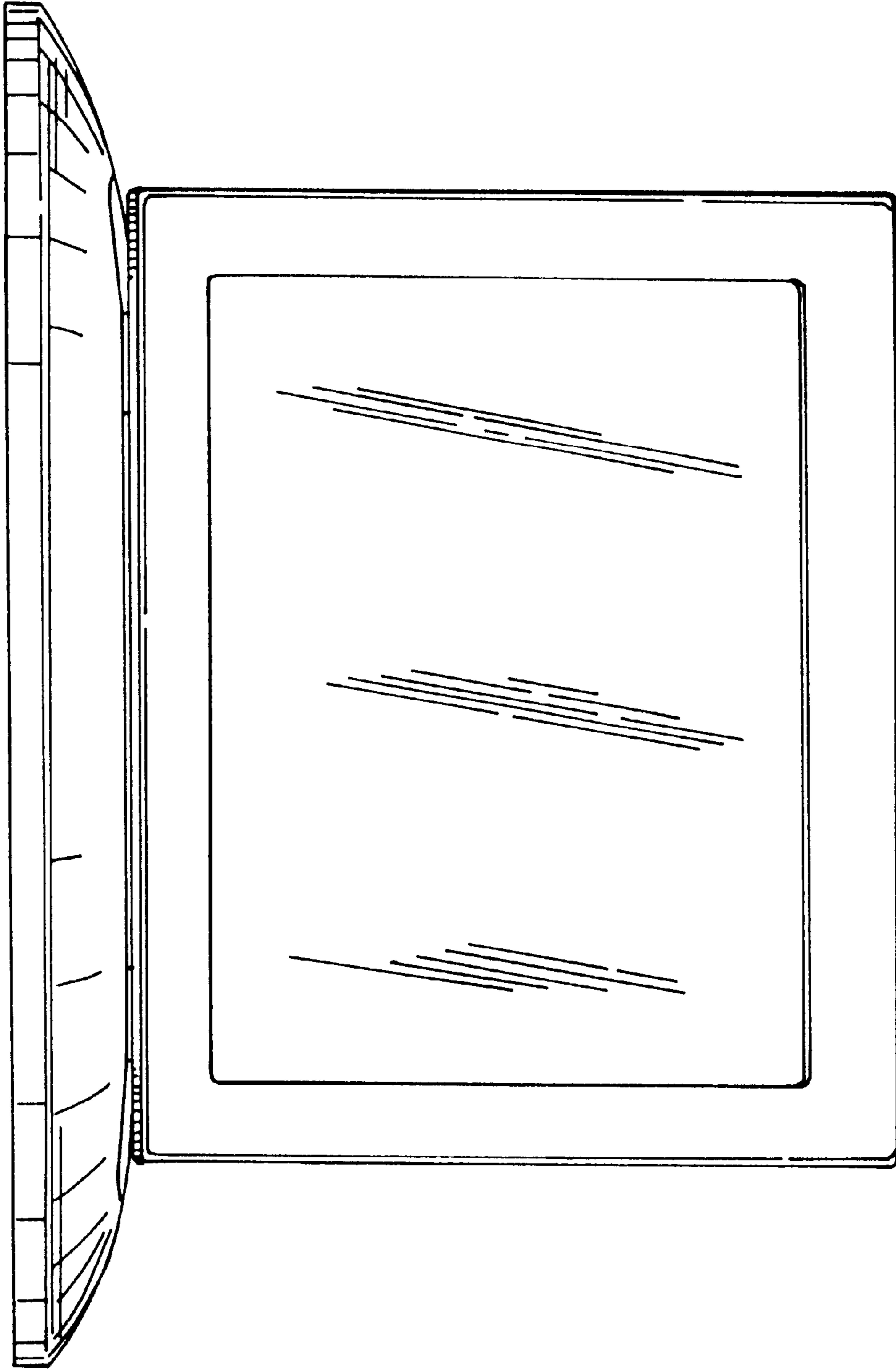


FIG. 8

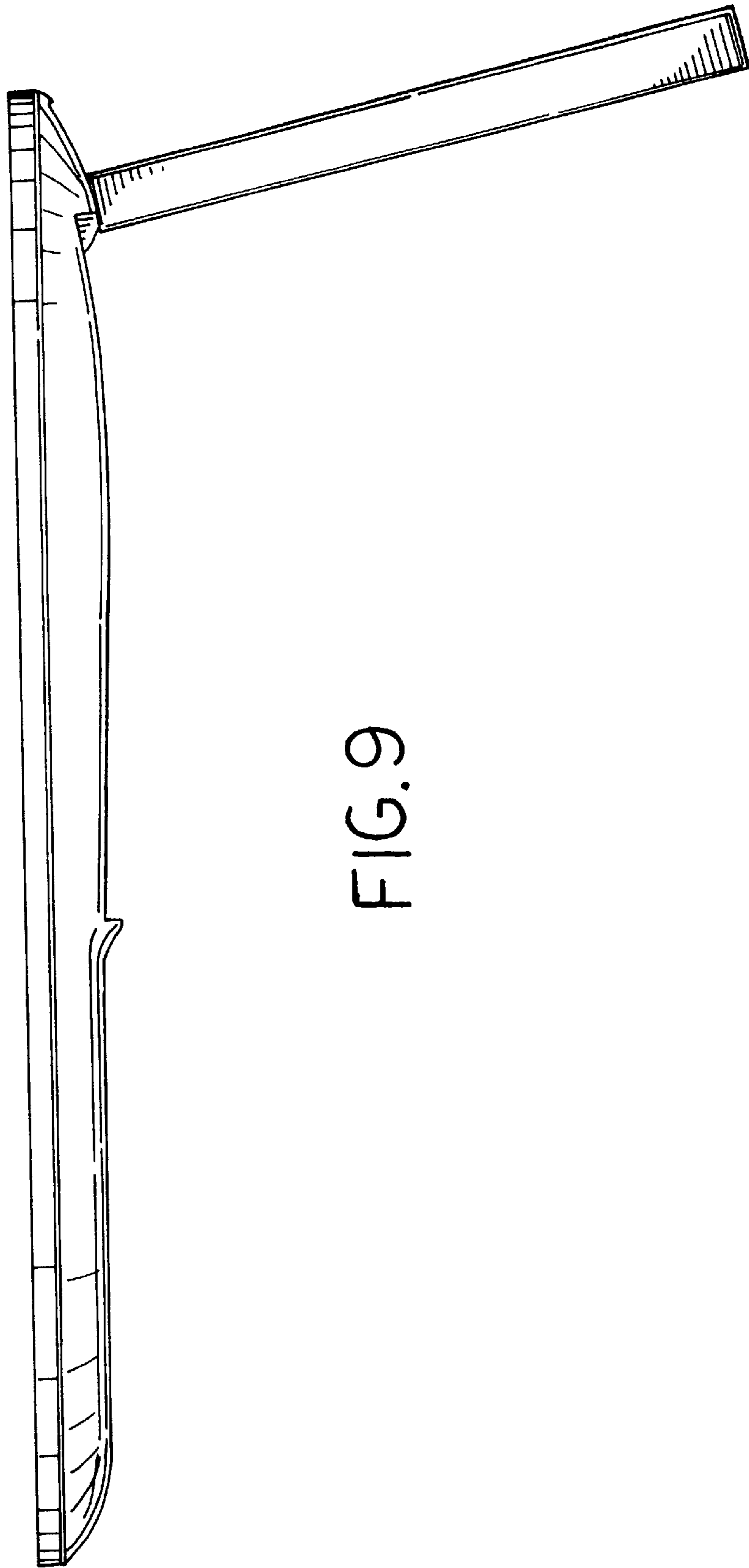


FIG. 9