



US00D413854S

United States Patent [19]
Vitoorapakorn

[11] **Patent Number: Des. 413,854**

[45] **Date of Patent: ** Sep. 14, 1999**

[54] **LINER FOR PICKUP TRUCK BED**

D. 293,226 12/1987 Whitson D12/98
D. 302,143 7/1989 Whitson D12/221

[75] Inventor: **Pawat Vitoorapakorn**, Samut Prakarn,
Thailand

Primary Examiner—Melody N. Brown
Attorney, Agent, or Firm—Panitch Schwarze Jacobs &
Nadel, P.C.

[73] Assignee: **Aeroflex International Co., Ltd.**,
Changwat Rayond, Thailand

[**] Term: **14 Years**

[57] **CLAIM**

The ornamental design for a liner for a pickup truck bed, as shown and described.

[21] Appl. No.: **29/086,252**

[22] Filed: **Apr. 8, 1998**

DESCRIPTION

[30] **Foreign Application Priority Data**

Oct. 9, 1997 [TH] Thailand 040073

FIG. 1 is a perspective view of a liner for a pickup truck bed in accordance with my new design;
FIG. 2 is a top plan view thereof;
FIG. 3 is a bottom plan view thereof;
FIG. 4 is a front perspective view thereof;
FIG. 5 is a rear perspective view thereof;
FIG. 6 is a right side perspective view thereof; and,
FIG. 7 is a left side perspective view thereof.

[51] **LOC (6) Cl.** **12-16**

[52] **U.S. Cl.** **D12/221**

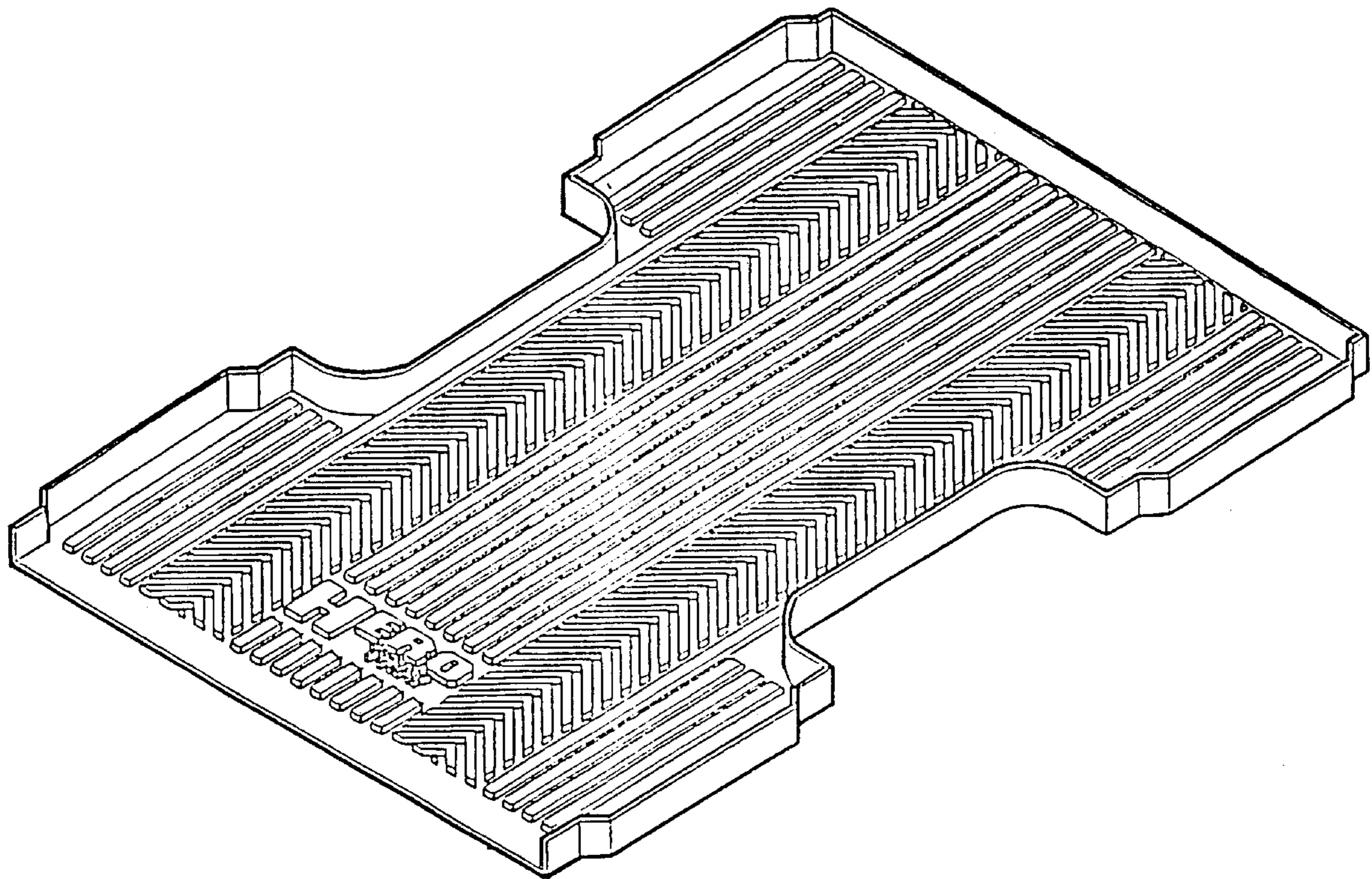
[58] **Field of Search** D12/221, 98; 296/39.1-39.3

[56] **References Cited**

U.S. PATENT DOCUMENTS

D. 289,513 4/1987 Hankerson, Jr. D12/221

1 Claim, 7 Drawing Sheets



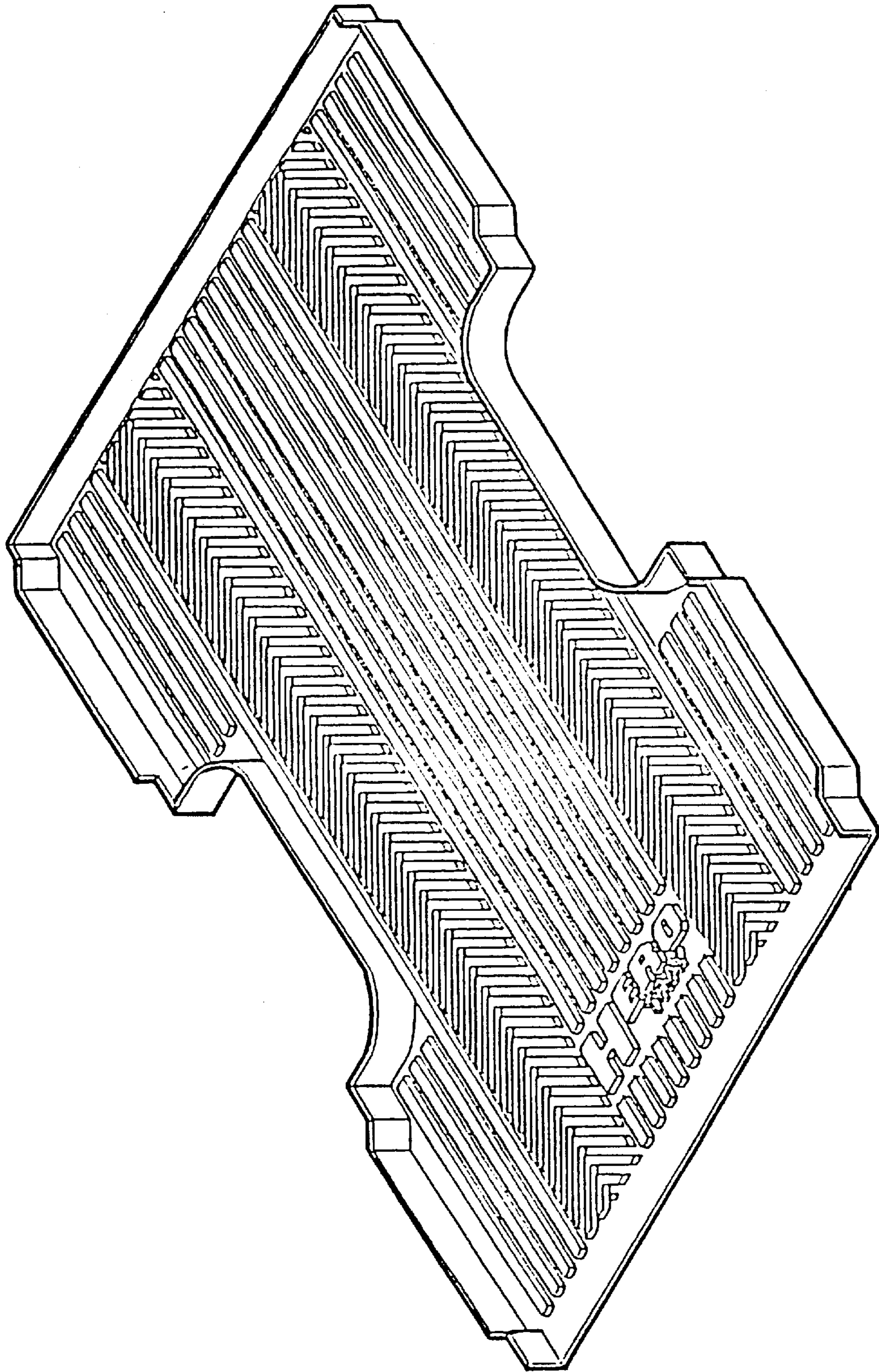


FIG. 1

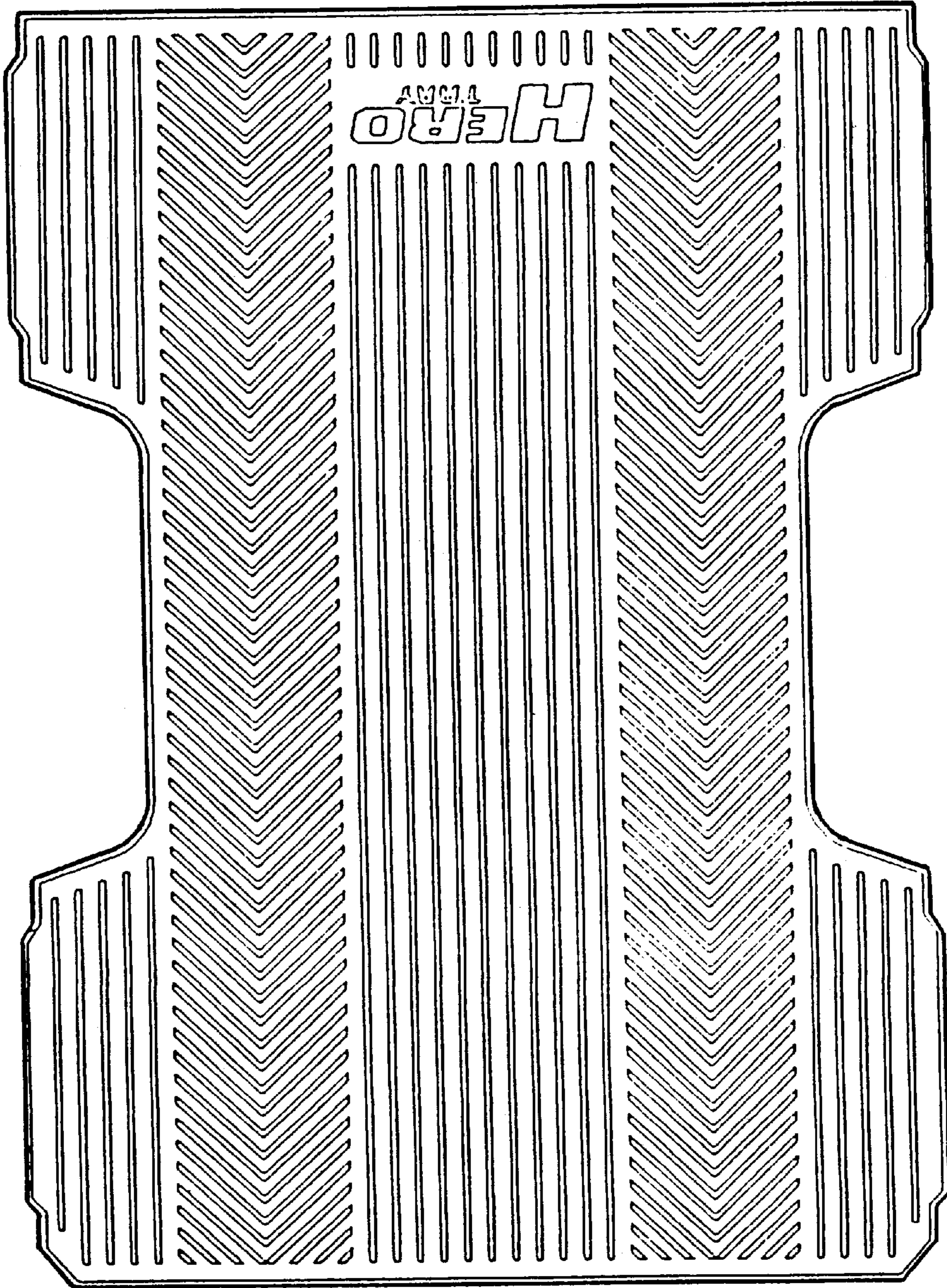


FIG. 2

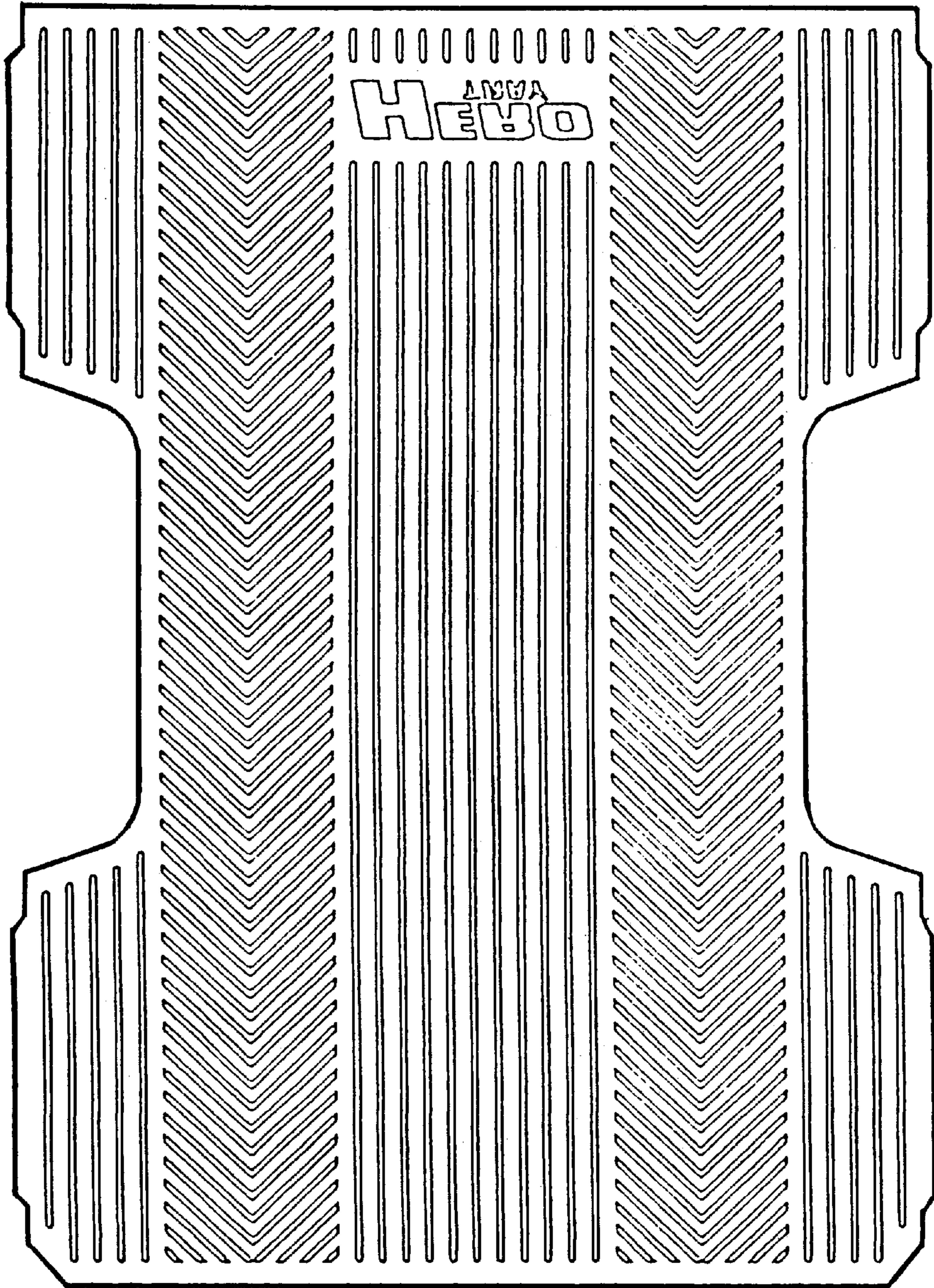


FIG. 3

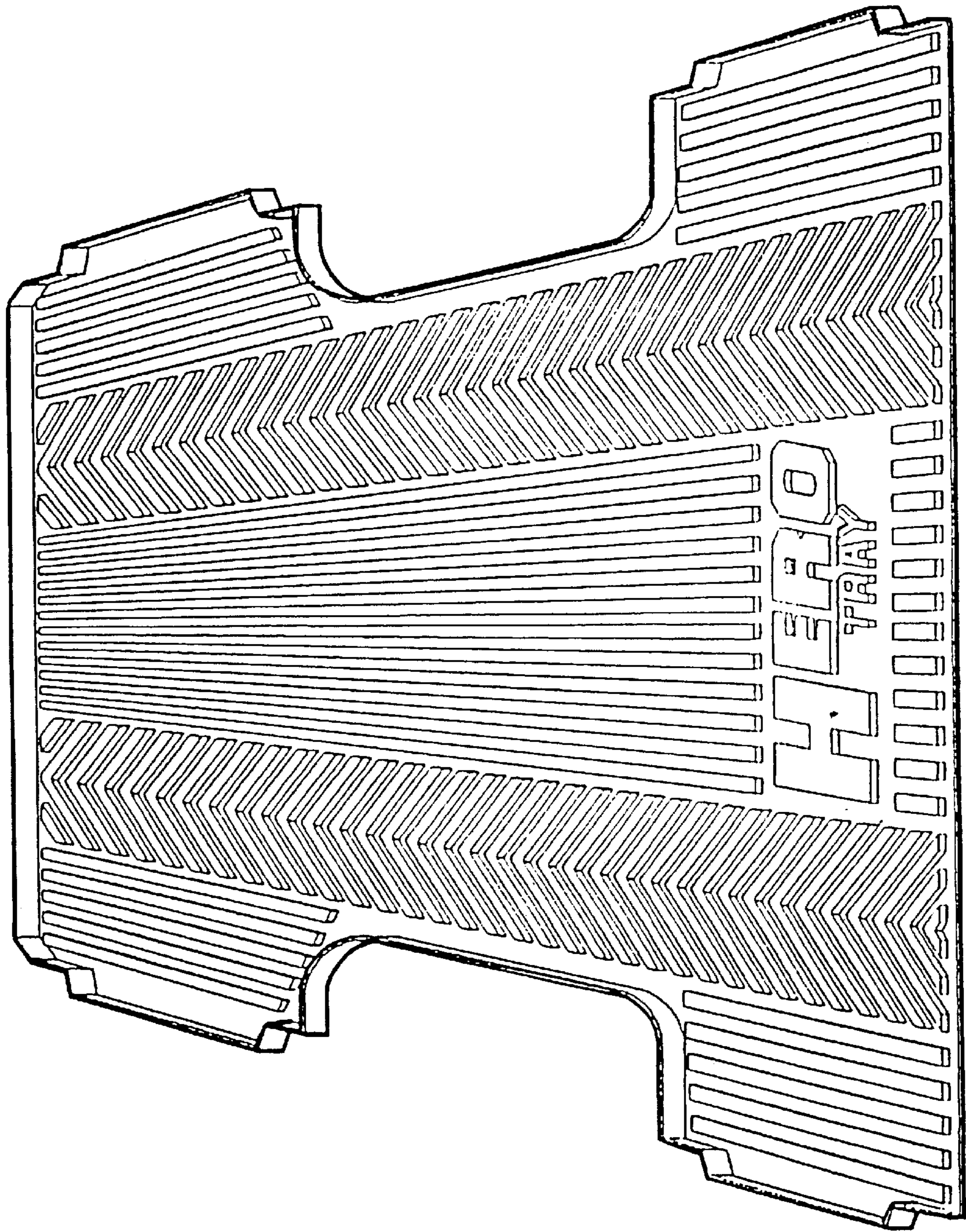


FIG. 4

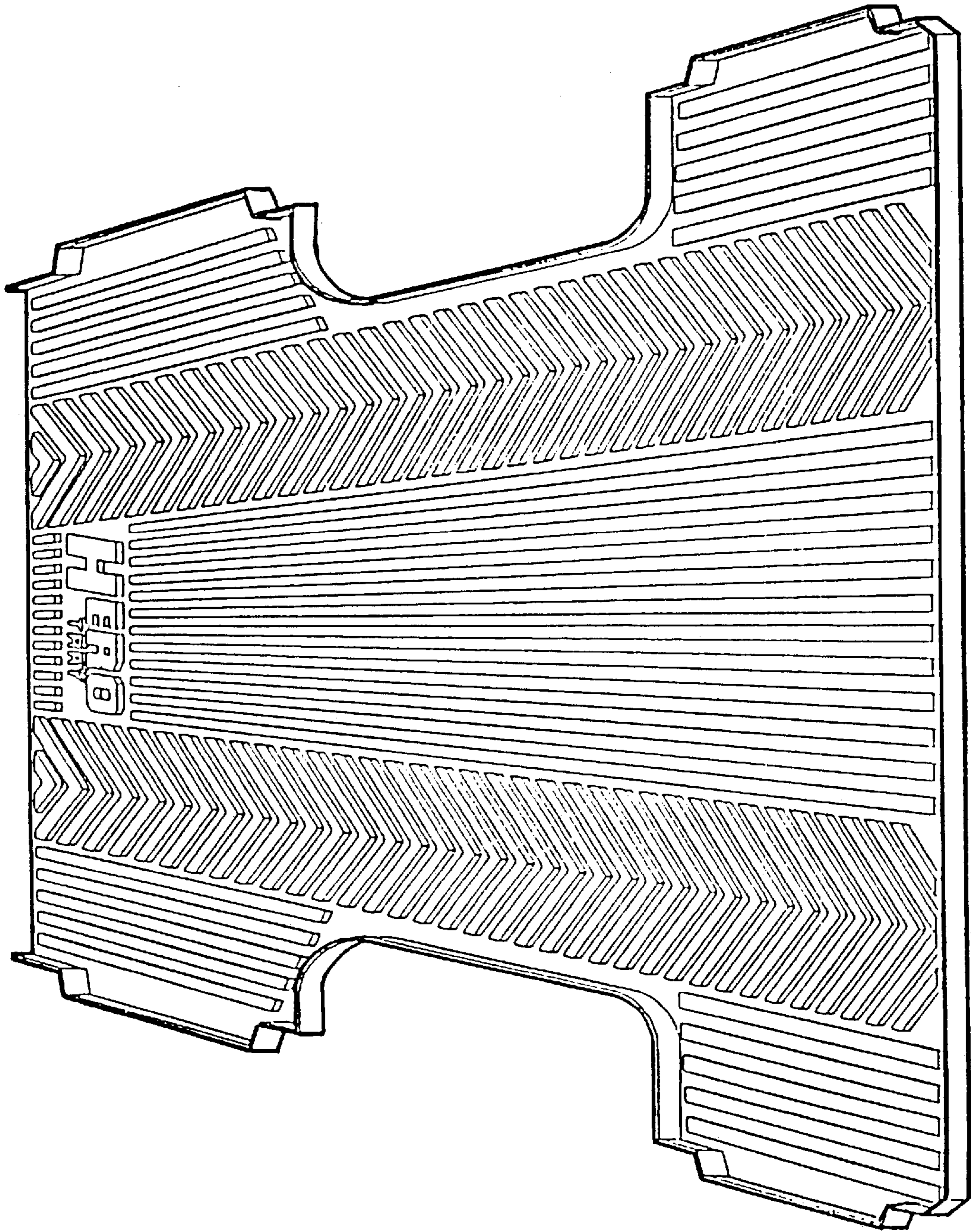


FIG. 5

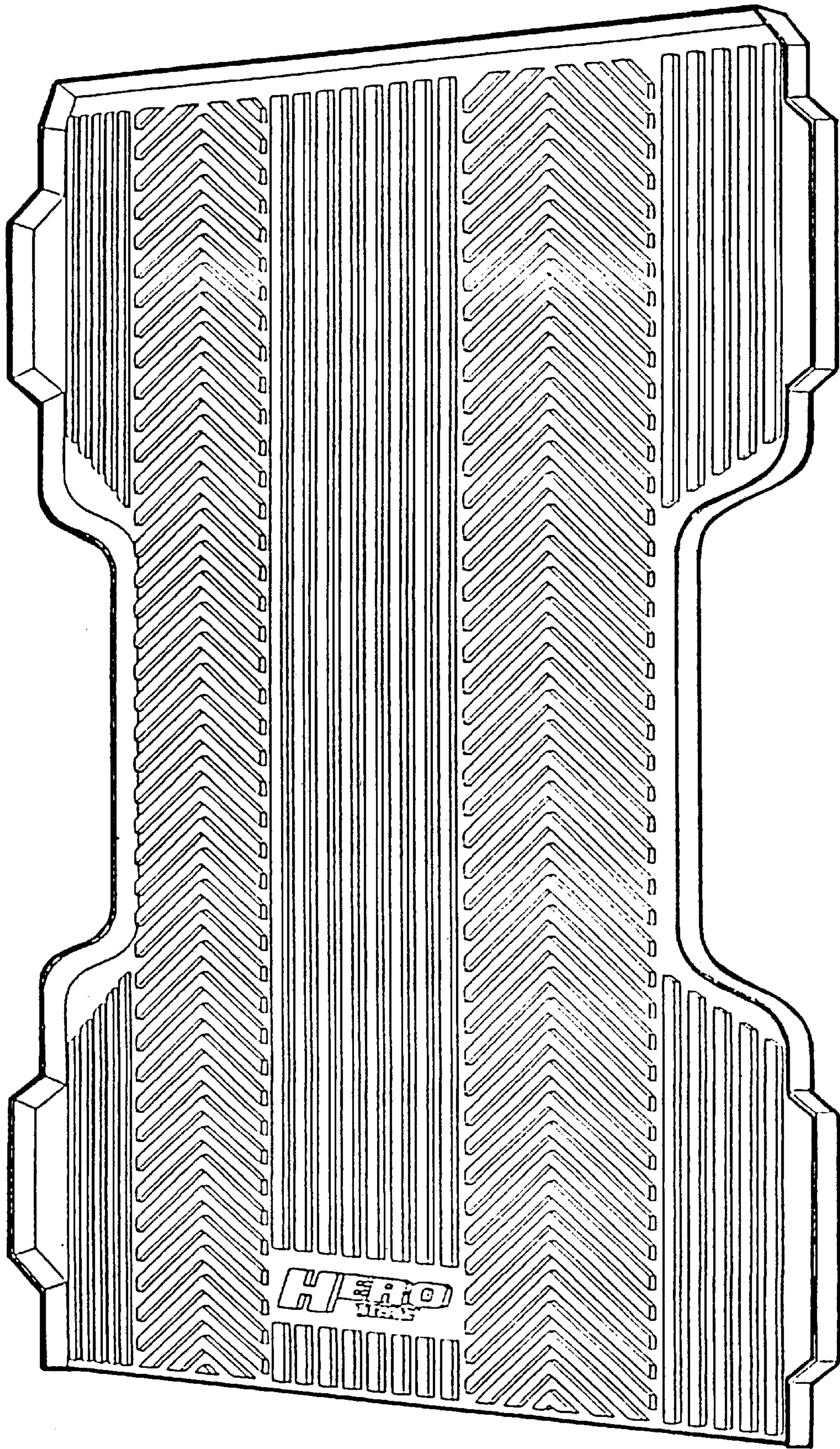


FIG. 6

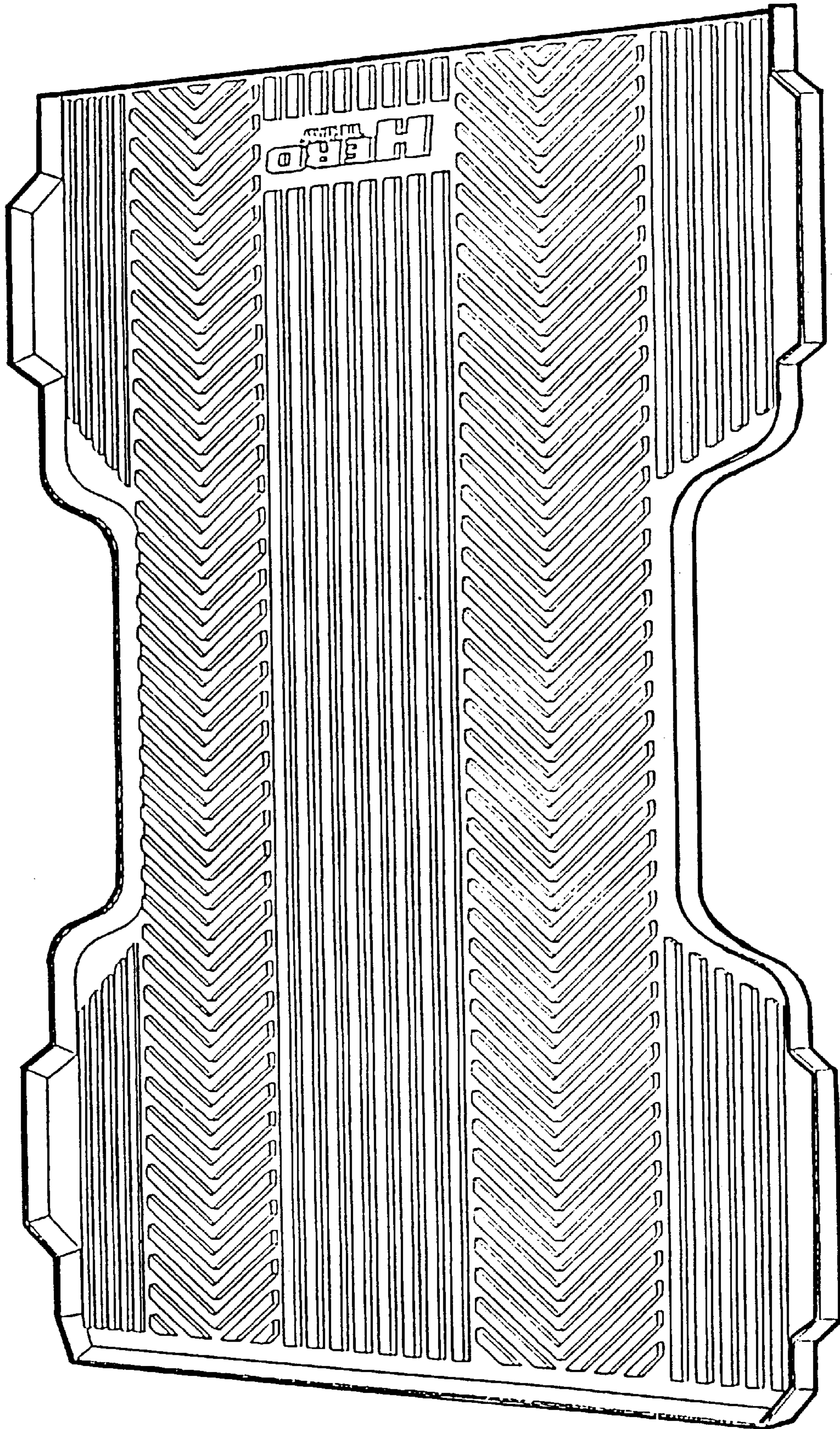


FIG. 7