



US00D413851S

United States Patent [19] Donikoglu

[11] Patent Number: **Des. 413,851**

[45] Date of Patent: **** Sep. 14, 1999**

[54] **VEHICLE WHEEL**

[75] Inventor: **Melkon Donikoglu**, Southfield, Mich.

[73] Assignee: **Enkei International Inc.**, Madison Heights, Mich.

[**] Term: **14 Years**

[21] Appl. No.: **29/068,172**

[22] Filed: **Mar. 13, 1997**

[51] **LOC (6) Cl.** **12-16**

[52] **U.S. Cl.** **D12/209**

[58] **Field of Search** D12/204-213;
301/64.1, 65, 37.1

D. 380,432	7/1997	Hettler	D12/209
D. 381,617	7/1997	Echazabal et al.	D12/209
D. 384,025	9/1997	Roesianto	D12/209
D. 384,320	9/1997	Bhambra	D12/209
D. 385,524	10/1997	Nagashima	D12/209

OTHER PUBLICATIONS

Motor Trend, p. 108, See "ARBET Type II", Jul. 1995.

Primary Examiner—Doris V. Coles

Assistant Examiner—Stacia Sinuik

Attorney, Agent, or Firm—Rader, Fishman & Grauer PLLC

[57] CLAIM

The ornamental design for a vehicle wheel, as shown and described.

DESCRIPTION

FIG. 1 is a front elevational view of a vehicle wheel, showing my new design;

FIG. 2 is a cross-sectional view taken along line 2—2 of FIG. 1, shown with the central hub cap removed; and,

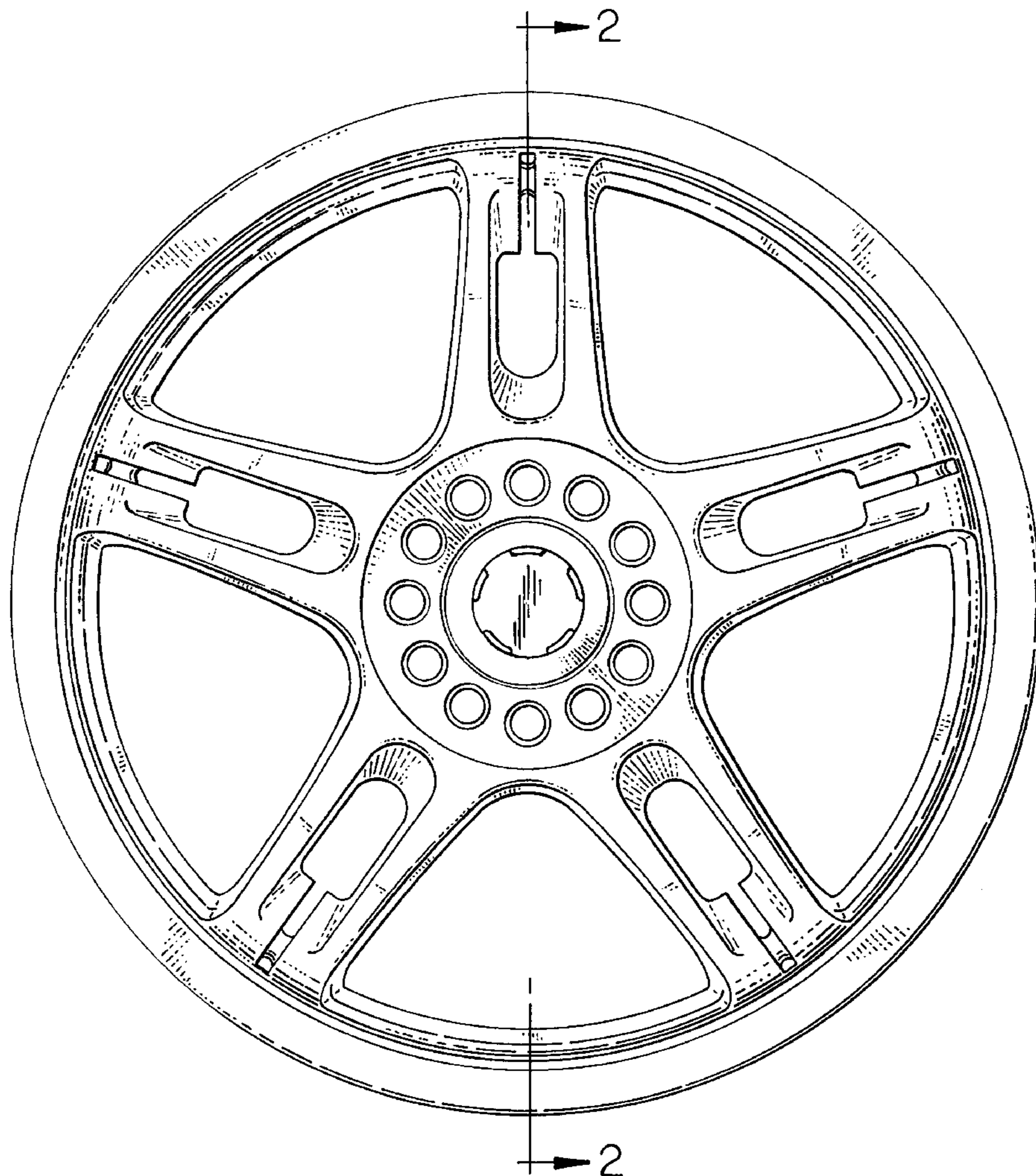
FIG. 3 is a front perspective view of the wheel of FIG. 1.

1 Claim, 3 Drawing Sheets

[56] References Cited

U.S. PATENT DOCUMENTS

D. 267,564	1/1983	Wright	D12/211
D. 361,547	8/1995	Weld	D12/211
D. 368,885	4/1996	Wagner	D12/209
D. 372,699	8/1996	Mantua	D12/209
D. 379,612	6/1997	Honarkhah	D12/209



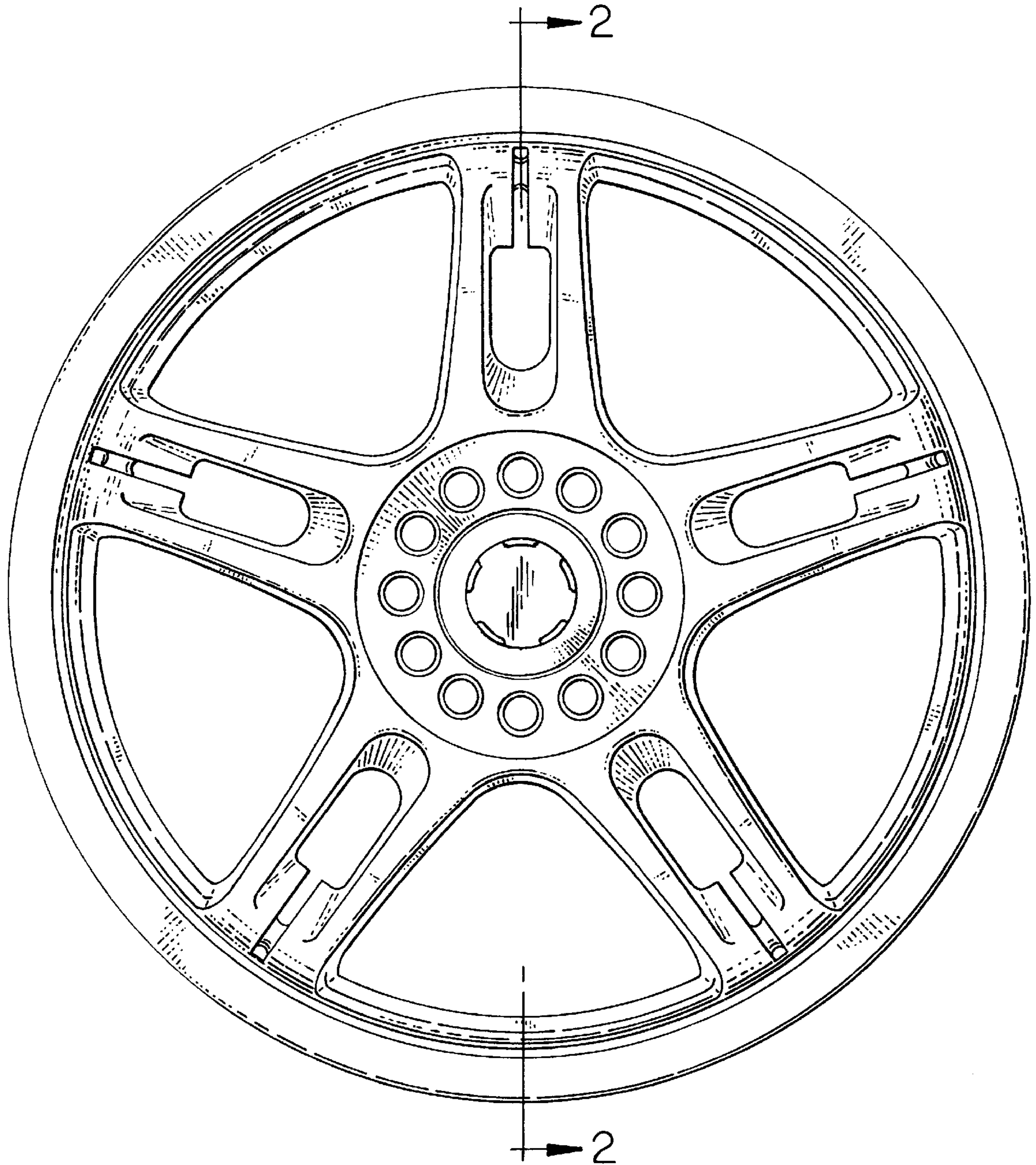


FIG. 1

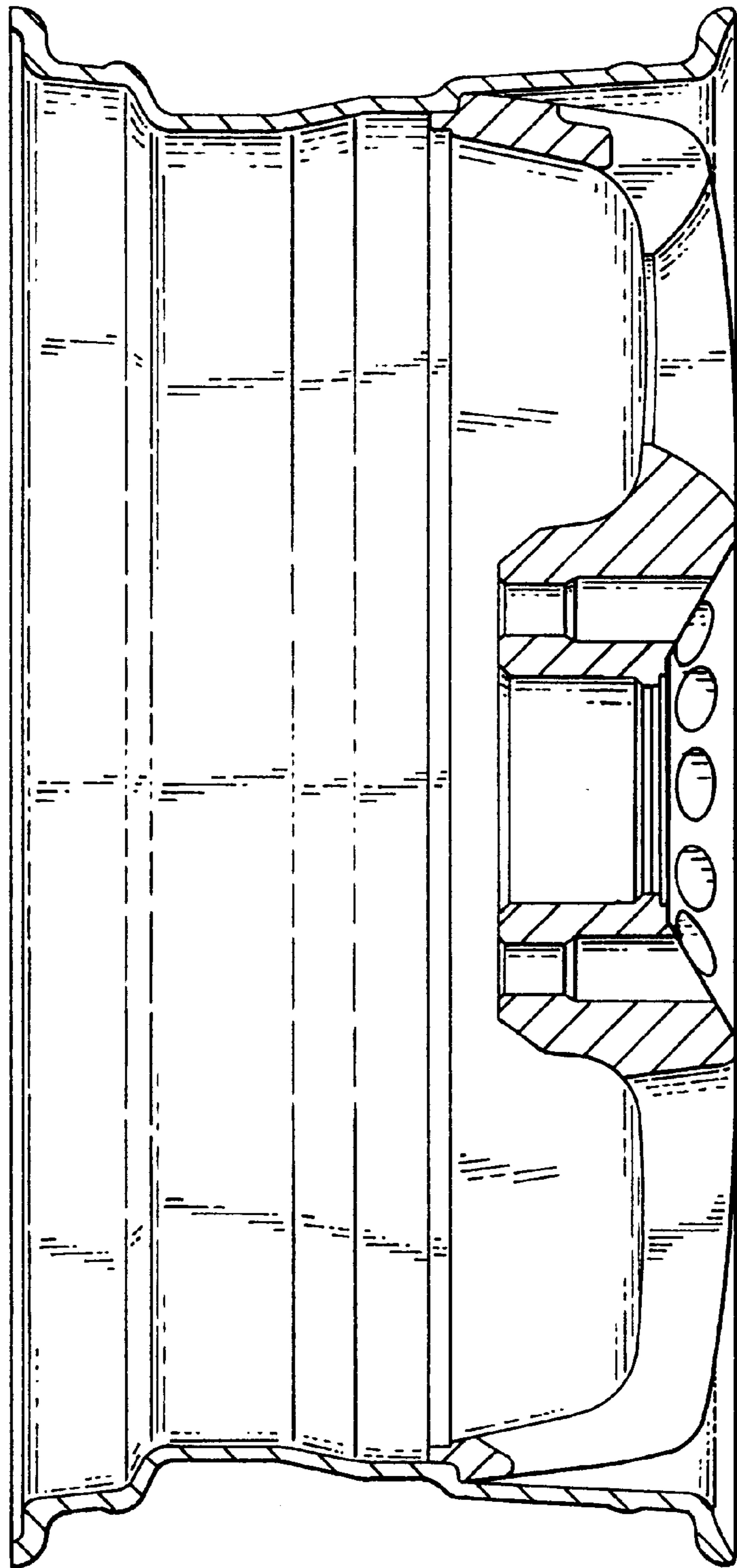


FIG. 2

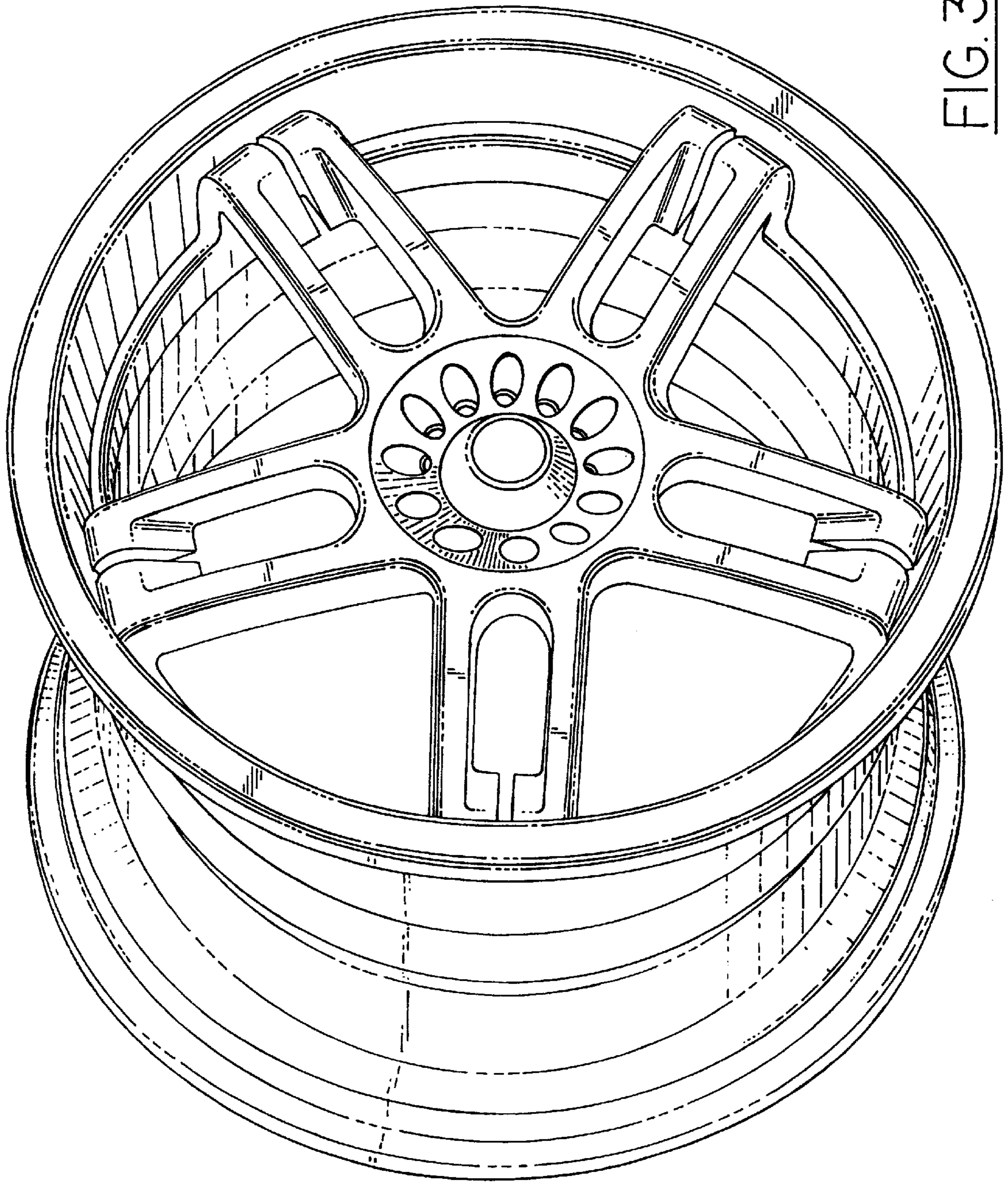


FIG. 3