



US00D413850S

United States Patent [19] Wang

[11] **Patent Number: Des. 413,850**

[45] **Date of Patent: ** Sep. 14, 1999**

[54] **VEHICLE FLOOR MAT**

[76] **Inventor: Ta-Chin Wang**, No. 269, Sec. 2, Anho Rd., Tainan, Taiwan

[**] **Term: 14 Years**

[21] **Appl. No.: 29/099,058**

[22] **Filed: Jan. 12, 1999**

[51] **LOC (6) Cl. 12-16**

[52] **U.S. Cl. D12/203**

[58] **Field of Search** D12/203; D6/582-583, D6/585-586, 592; 296/97.23; 15/215-217; 428/141; 280/163, 164.1

[56] **References Cited**

U.S. PATENT DOCUMENTS

D. 183,475	9/1958	Bachtel	D12/203
D. 257,674	12/1980	Wooters	D12/203
D. 302,416	7/1989	Lehner et al.	D12/203
D. 308,507	6/1990	Charet et al.	D12/203
D. 309,444	7/1990	Charet et al.	D12/203
D. 313,789	1/1991	Thundercloud	D12/203

D. 325,555	4/1992	Primeau	D12/203
D. 393,238	4/1998	Kraines	D12/203
D. 401,203	11/1998	Lu	D12/203
D. 404,352	1/1999	Lu	D12/203

Primary Examiner—Doris V. Coles
Assistant Examiner—Stacia Sinuik
Attorney, Agent, or Firm—Kolisch Hartwell Dickinson McCormack & Heuser

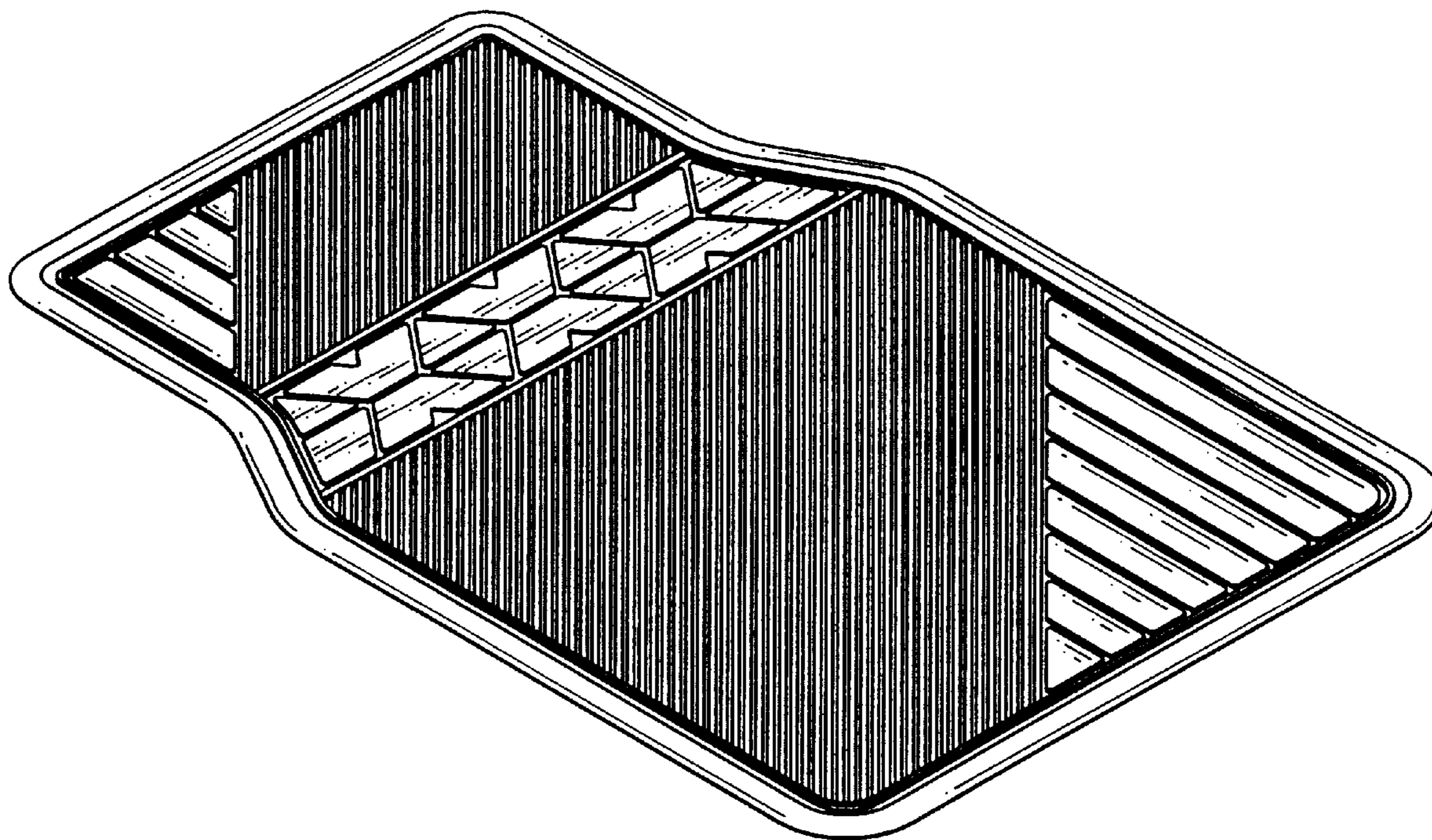
[57] **CLAIM**

The ornamental design for a vehicle floor mat, as shown and described.

DESCRIPTION

FIG. 1 is a perspective view of a vehicle floor mat, showing my new design;
FIG. 2 is an enlarged top plan view thereof;
FIG. 3 is an enlarged bottom plan view thereof;
FIG. 4 is an enlarged left side view thereof;
FIG. 5 is an enlarged right side view thereof;
FIG. 6 is an enlarged front elevational view thereof; and,
FIG. 7 is an enlarged rear elevational view thereof.

1 Claim, 5 Drawing Sheets



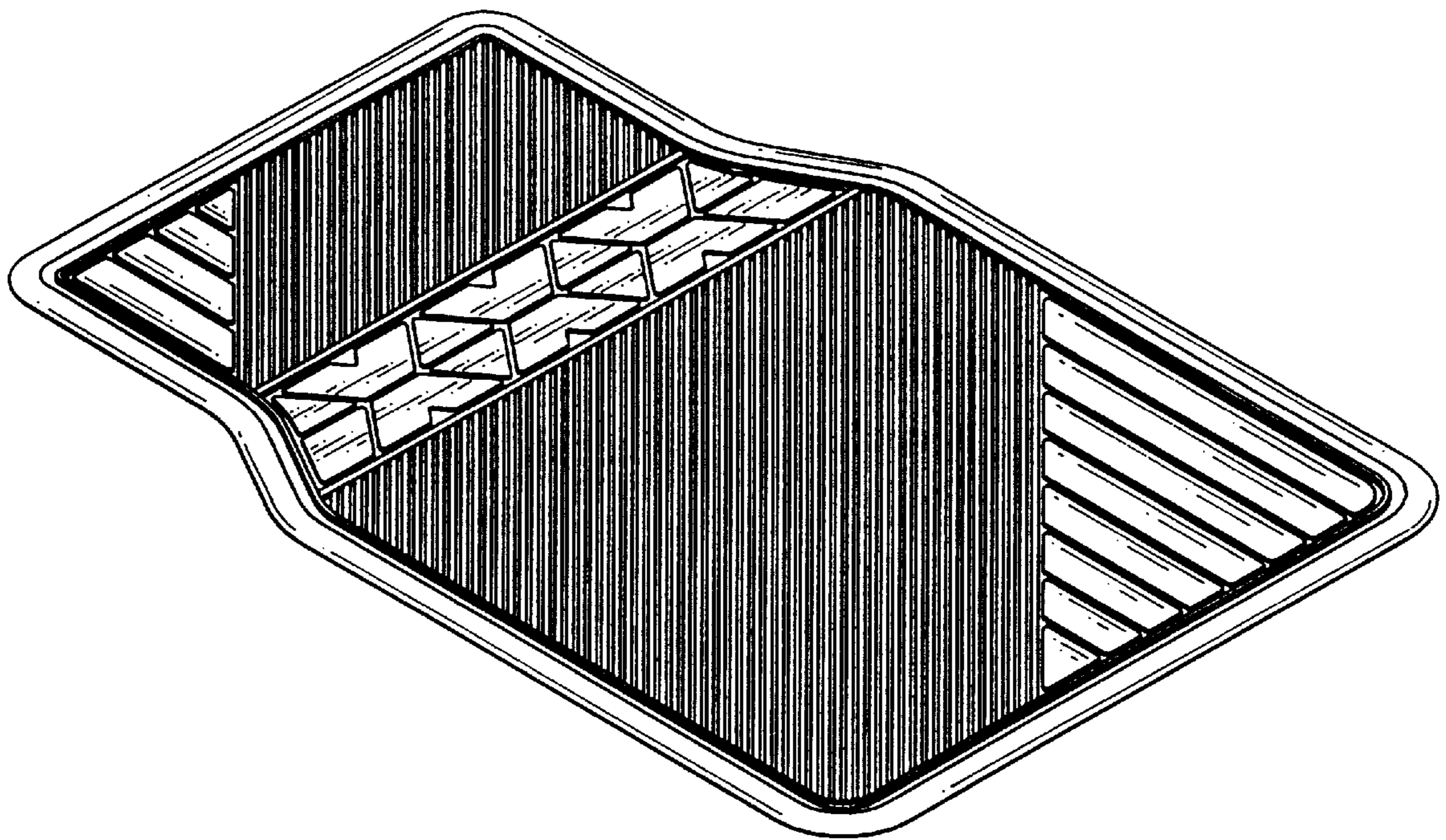


FIG. 1

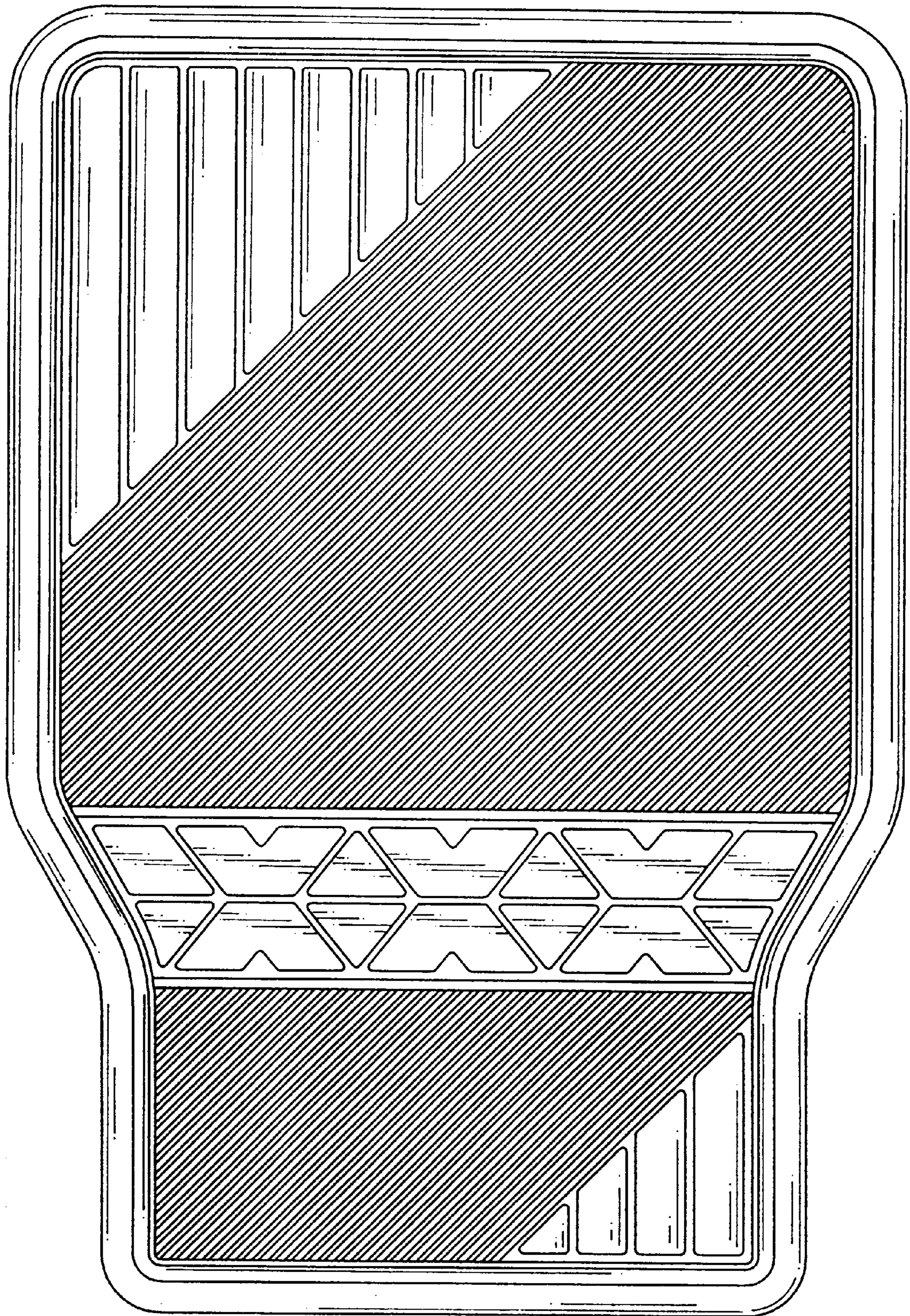


FIG.2

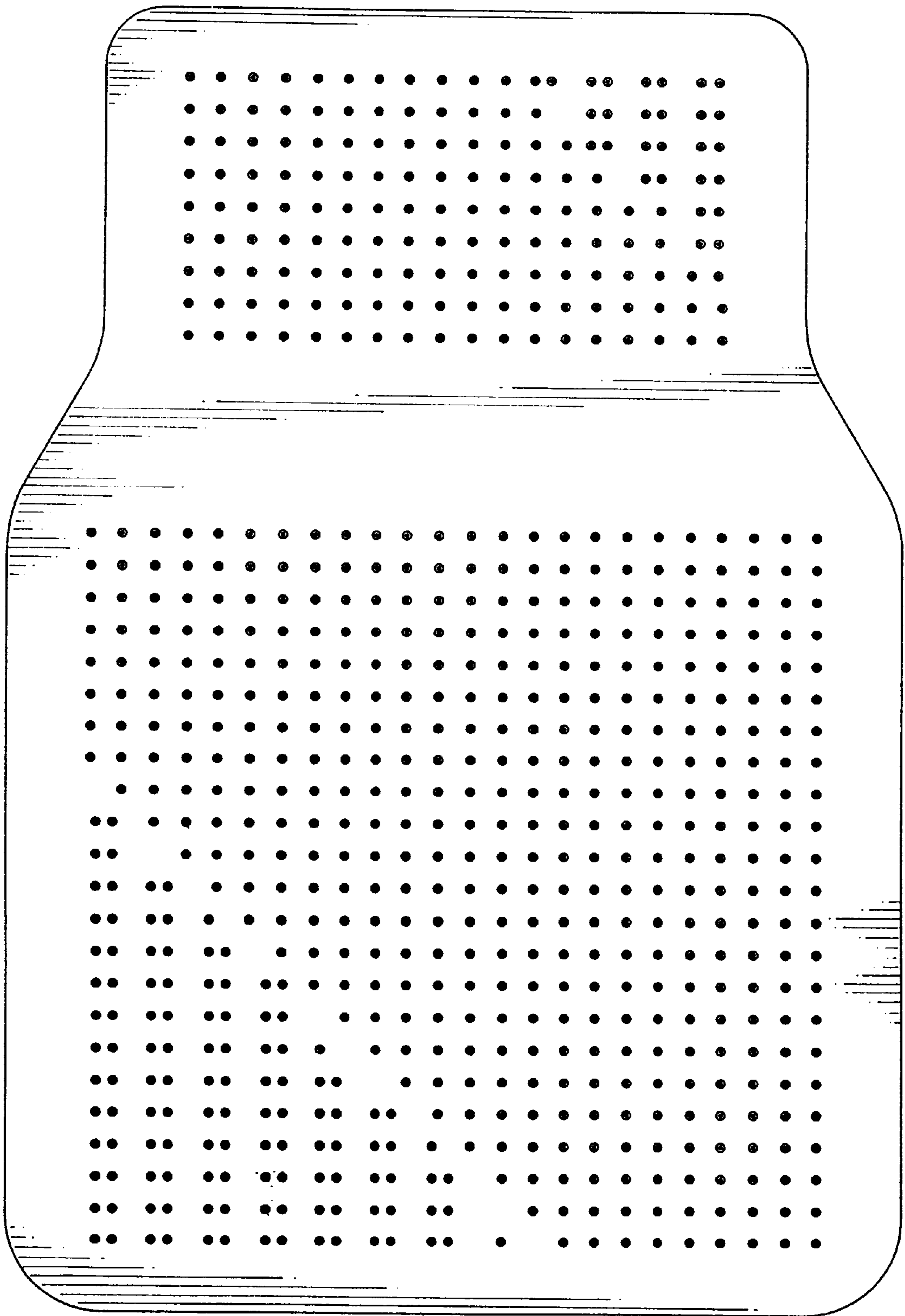


FIG. 3



FIG. 5



FIG. 4



FIG. 6



FIG. 7