



US00D413848S

# United States Patent [19]

Doerr

[11] Patent Number: Des. 413,848

[45] Date of Patent: \*\* Sep. 14, 1999

[54] LICENSE PLATE FRAME

[76] Inventor: Christopher E. Doerr, 180 McDuffie Dr., Athens, Ga. 30605

[\*\*] Term: 14 Years

[21] Appl. No.: 29/098,314

[22] Filed: Dec. 28, 1998

[51] LOC (6) Cl. .... 12-16

[52] U.S. Cl. .... D12/193

[58] Field of Search ..... D12/193; D6/300-303, D6/310; D20/13, 35; D11/99, 133; 40/200-203, 209-210

### [56] References Cited

#### U.S. PATENT DOCUMENTS

- D. 163,320 5/1951 Porrett et al. .... D12/193
- D. 163,328 5/1951 Rothman ..... D12/193
- D. 167,878 10/1952 Bessolo .
- D. 219,774 1/1971 Cox ..... D12/193
- D. 290,313 6/1987 Briggs ..... D6/300

- D. 332,247 1/1993 Wilson ..... D12/193
- D. 382,241 8/1997 Moureaux ..... D12/193

Primary Examiner—Doris V. Coles  
Assistant Examiner—Stacia Sinuik  
Attorney, Agent, or Firm—Erwin Doerr

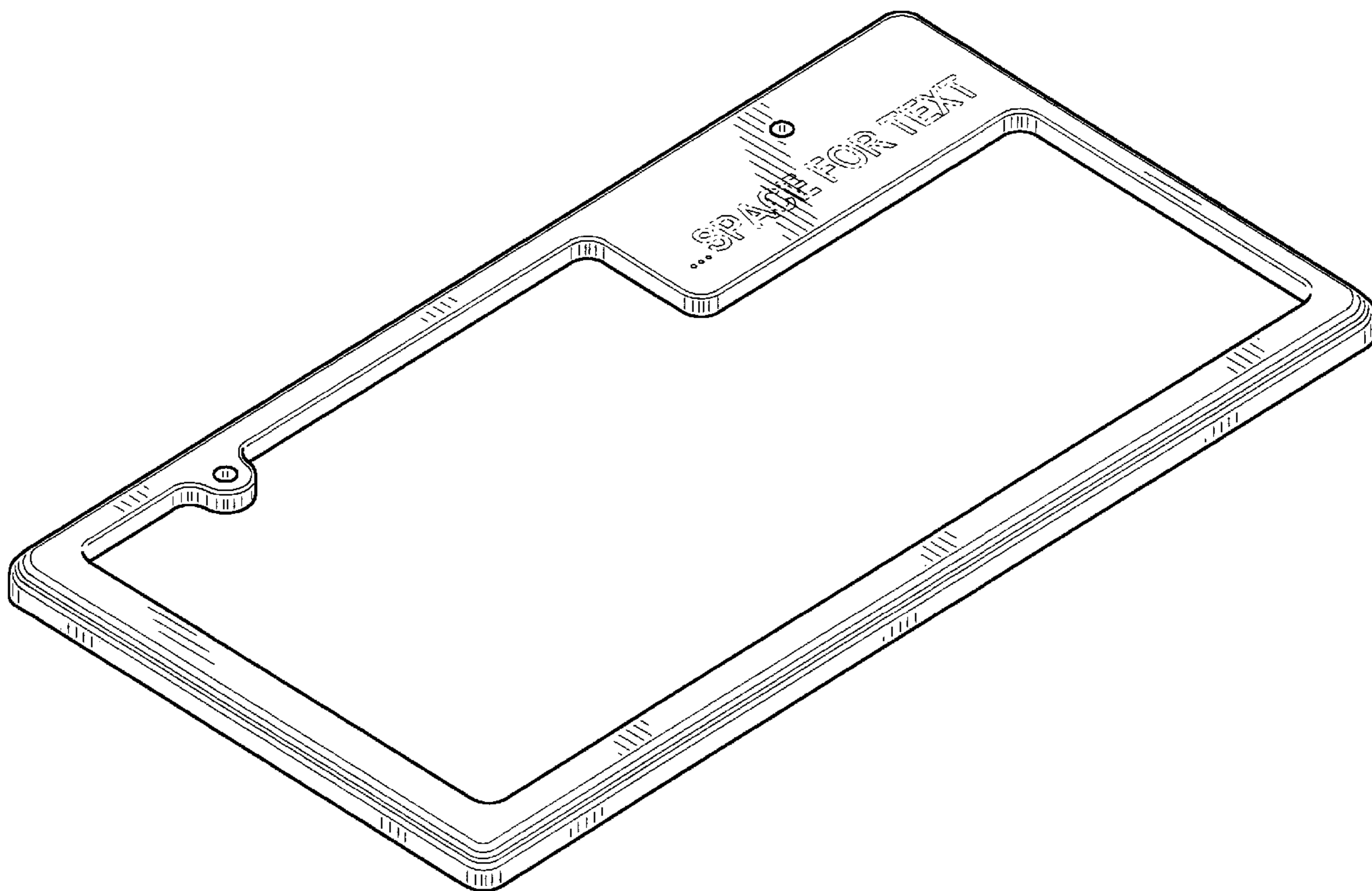
### [57] CLAIM

The ornamental design for a license plate frame, as shown and described.

### DESCRIPTION

FIG. 1 is a perspective view of a license plate frame as seen from the front, showing my new design;  
FIG. 2 is a front elevational view thereof;  
FIG. 3 is a bottom plan view of the license plate frame, the top plan view opposite thereof being a mirror image of the bottom plan view shown; and,  
FIG. 4 is a plan view of one side of the license plate frame, the opposite side being a mirror image of the view shown. The broken line showing of environment is for illustrative purposes only and forms no part of the claimed design.

1 Claim, 2 Drawing Sheets



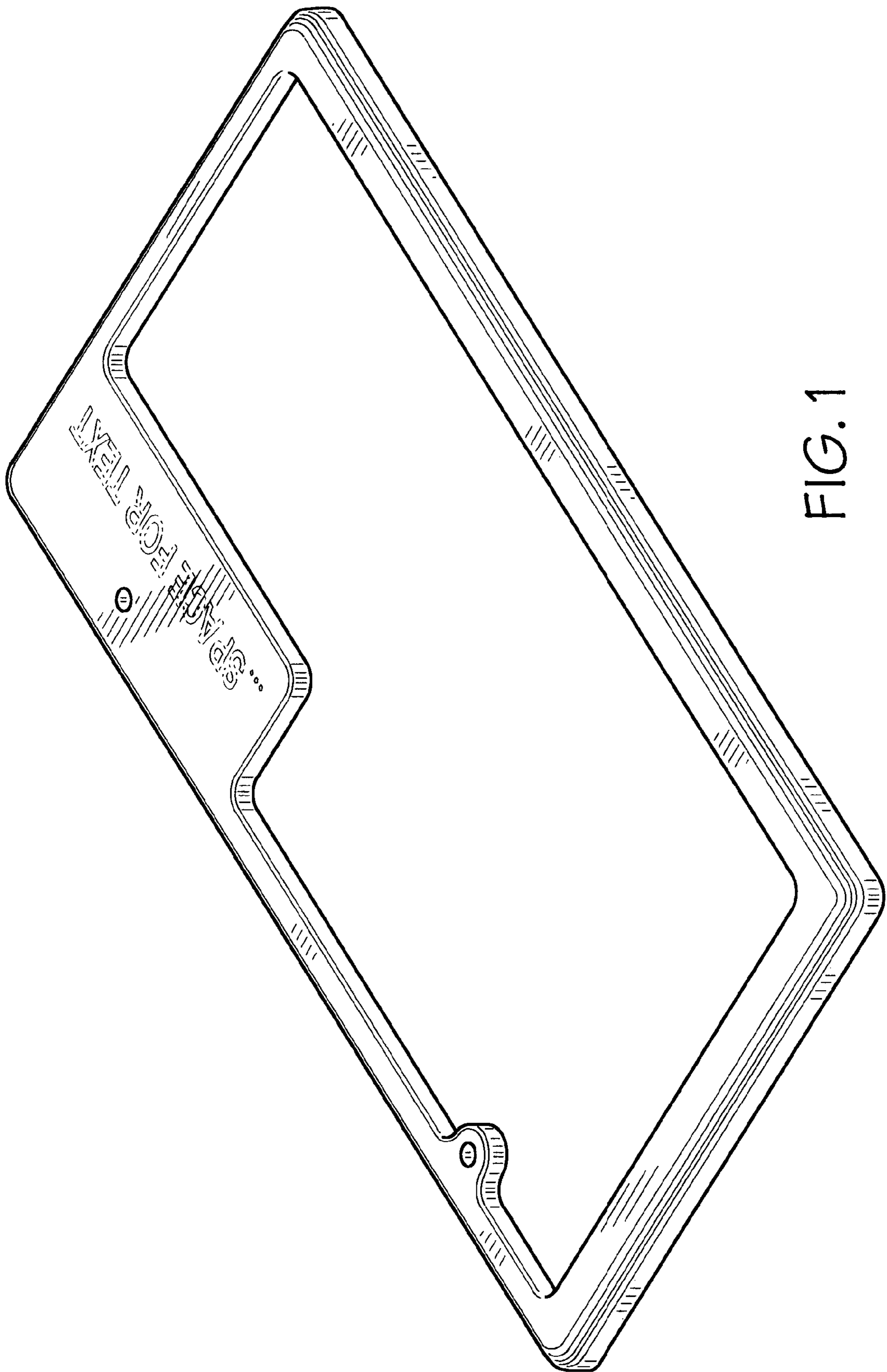


FIG. 1

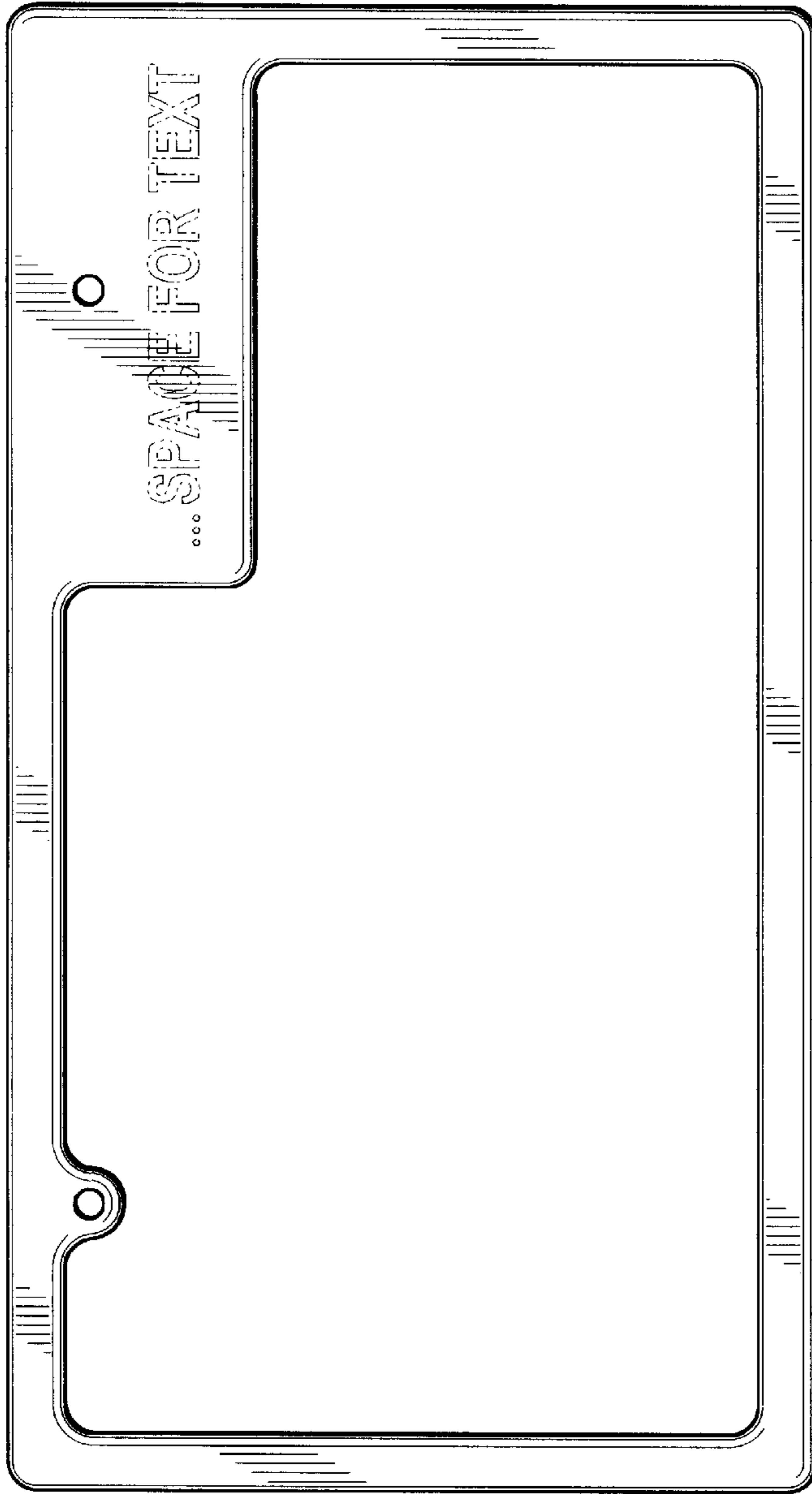


FIG. 2



FIG. 3

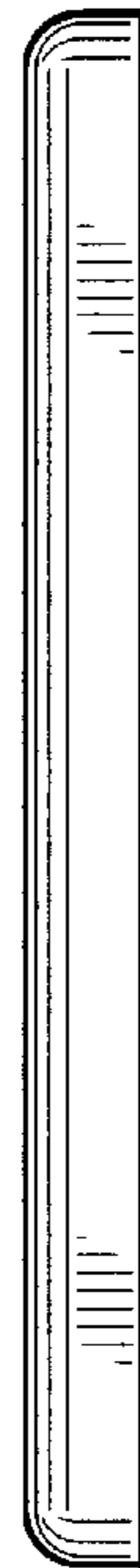


FIG. 4