



US00D413843S

United States Patent [19]
Dickie

[11] **Patent Number: Des. 413,843**

[45] **Date of Patent: ** Sep. 14, 1999**

[54] **EXTRUDED SEATBACK FRAME WITH ADJUSTABLE TRACK SYSTEM FOR A WHEELCHAIR**

[75] Inventor: **Paul C. Dickie**, Clovis, Calif.

[73] Assignee: **Sunrise Medical HHG Inc.**, Longmont, Colo.

[**] Term: **14 Years**

[21] Appl. No.: **29/096,436**

[22] Filed: **Nov. 13, 1998**

[51] **LOC (6) Cl.** **12-12**

[52] **U.S. Cl.** **D12/133; D25/122**

[58] **Field of Search** **D12/128-133; D25/119, 122, 123, 124, 125; 280/250.1, 304.1**

[56] **References Cited**

U.S. PATENT DOCUMENTS

- D. 257,666 12/1980 McKee D25/124
- D. 324,645 3/1992 Magro et al. D25/122 X
- D. 337,257 7/1993 Danieli D25/122

- D. 375,600 11/1996 Hirano et al. D34/27
- 5,743,545 4/1998 Kunze et al. 280/250.1

Primary Examiner—Kay H. Chin
Attorney, Agent, or Firm—MacMillan, Sobanski & Todd, LLC

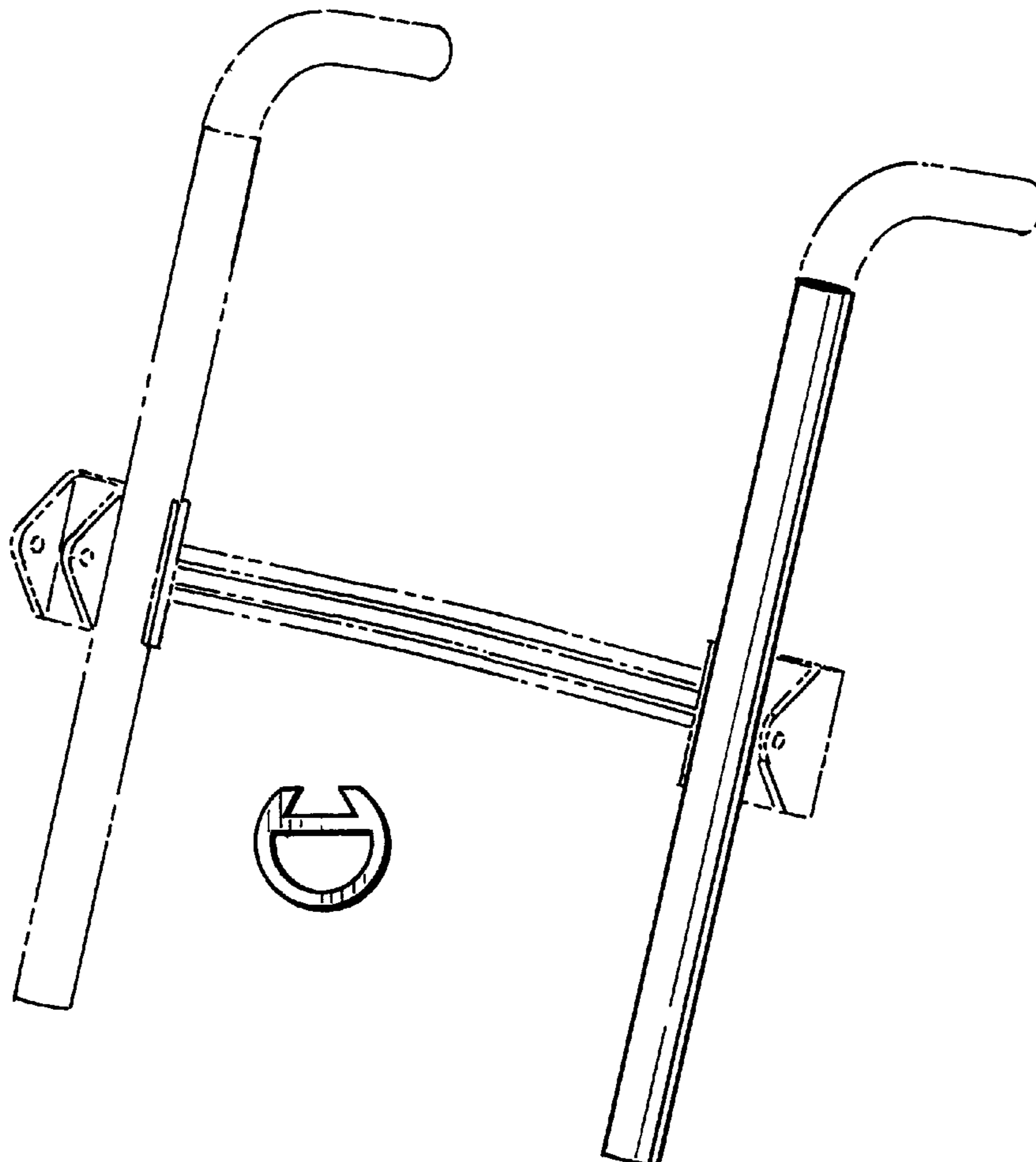
[57] **CLAIM**

The ornamental design for an extruded seatback frame with adjustable track system for a wheelchair, as shown and described.

DESCRIPTION

FIG. 1 is a perspective view of an extruded seatback frame with adjustable track system for a wheelchair showing my new design, the broken lines are for illustrative purposes only and form no part of the claimed design; FIG. 2 is a front elevational view thereof; FIG. 3 is a rear elevational view thereof; FIG. 4 is a right side view with the left side being a mirror image thereof; and, FIG. 5 is a top plan view with the bottom being a mirror image thereof.

1 Claim, 2 Drawing Sheets



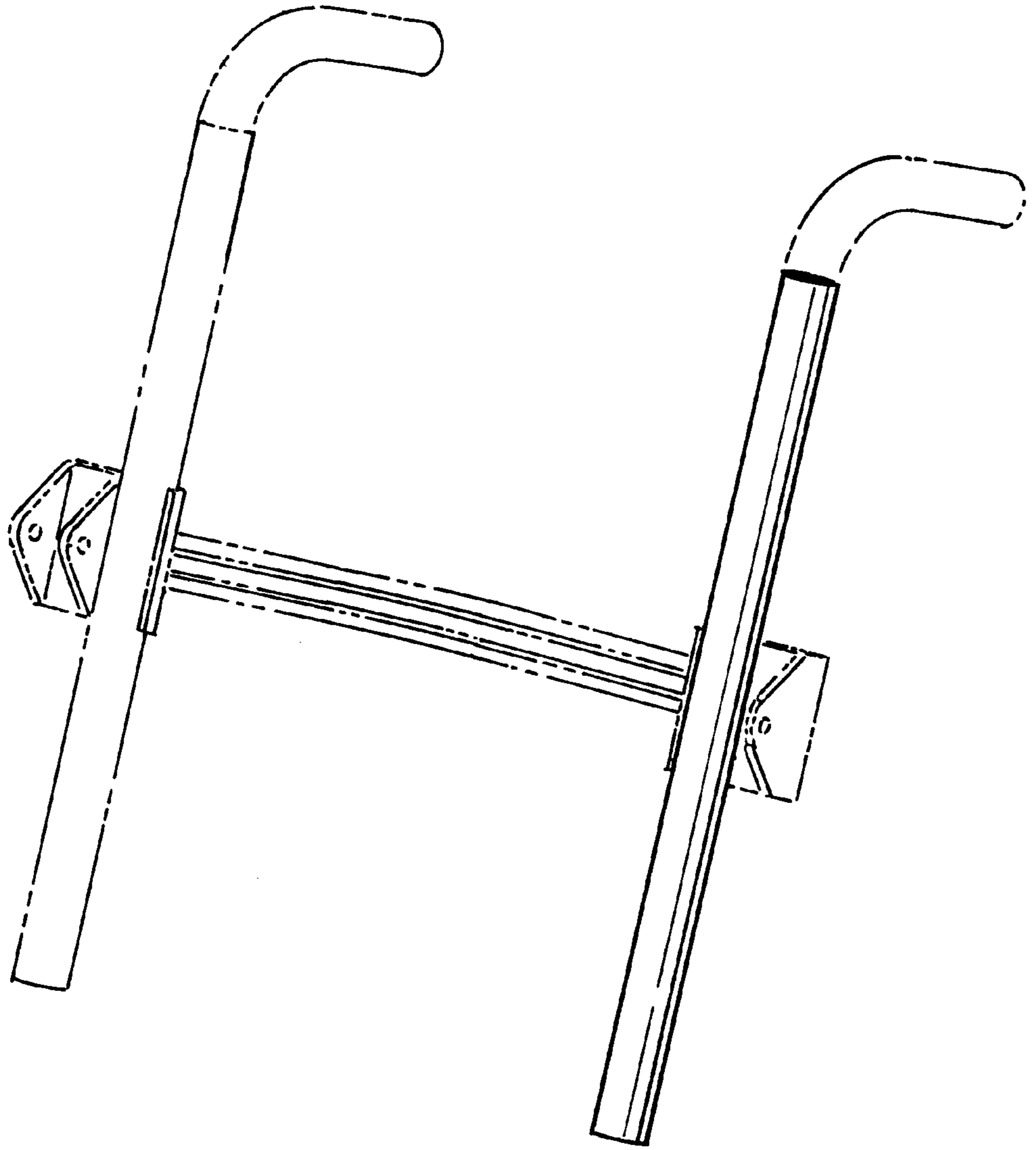


FIG. 1

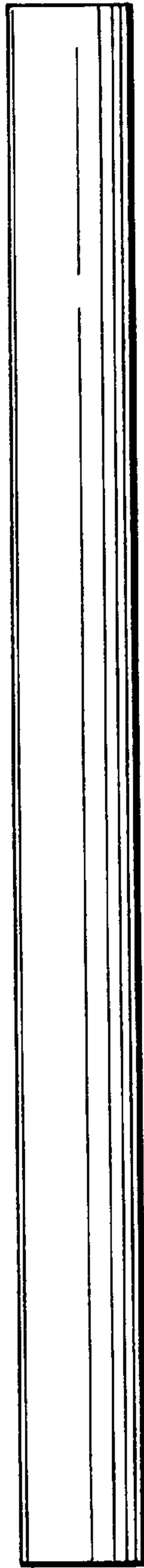


FIG. 2



FIG. 3



FIG. 4

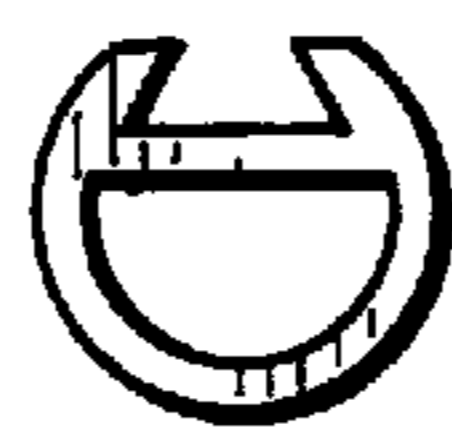


FIG. 5