



US00D413842S

United States Patent [19]

Garven, Jr.

[11] **Patent Number: Des. 413,842**

[45] **Date of Patent: ** Sep. 14, 1999**

[54] **COMBINED SWING-ARM CLAMP AND AXLE CLAMP FOR CLAMPING AN AXLE TO THE SWING-ARM OF A SUSPENSION CHASSIS WHEELCHAIR**

5,580,184 12/1996 Riccitelli 403/365
5,727,897 3/1998 Liu 403/205

[75] Inventor: **Douglas M. Garven, Jr.**, Boulder, Colo.

Primary Examiner—Kay H. Chin
Attorney, Agent, or Firm—MacMillan, Sobanski & Todd, LLC

[73] Assignee: **Sunrise Medical HHG Inc.**, Longmont, Colo.

[57] CLAIM

[**] Term: **14 Years**

The ornamental design for a combined swing-arm clamp and axle clamp for clamping an axle to the swing-arm of a suspension chassis wheelchair, as shown and described.

[21] Appl. No.: **29/093,699**

DESCRIPTION

[22] Filed: **Sep. 17, 1998**

FIG. 1 is a rear perspective view of a combined swing-arm clamp and axle clamp for clamping an axle to the swing-arm of a suspension chassis wheelchair showing my new design; FIG. 2 is a front elevational view thereof with the rear being a mirror image thereof; FIG. 3 is a right side view thereof with the left side being a mirror image thereof; FIG. 4 is a top plan view thereof; and, FIG. 5 is a bottom plan view thereof. The broken line in FIG. 1 showing the axle and the swing-arm is for illustrative purposes only and forms no part of the claimed design.

[51] **LOC (6) Cl.** **12-12**

[52] **U.S. Cl.** **D12/133; D8/396**

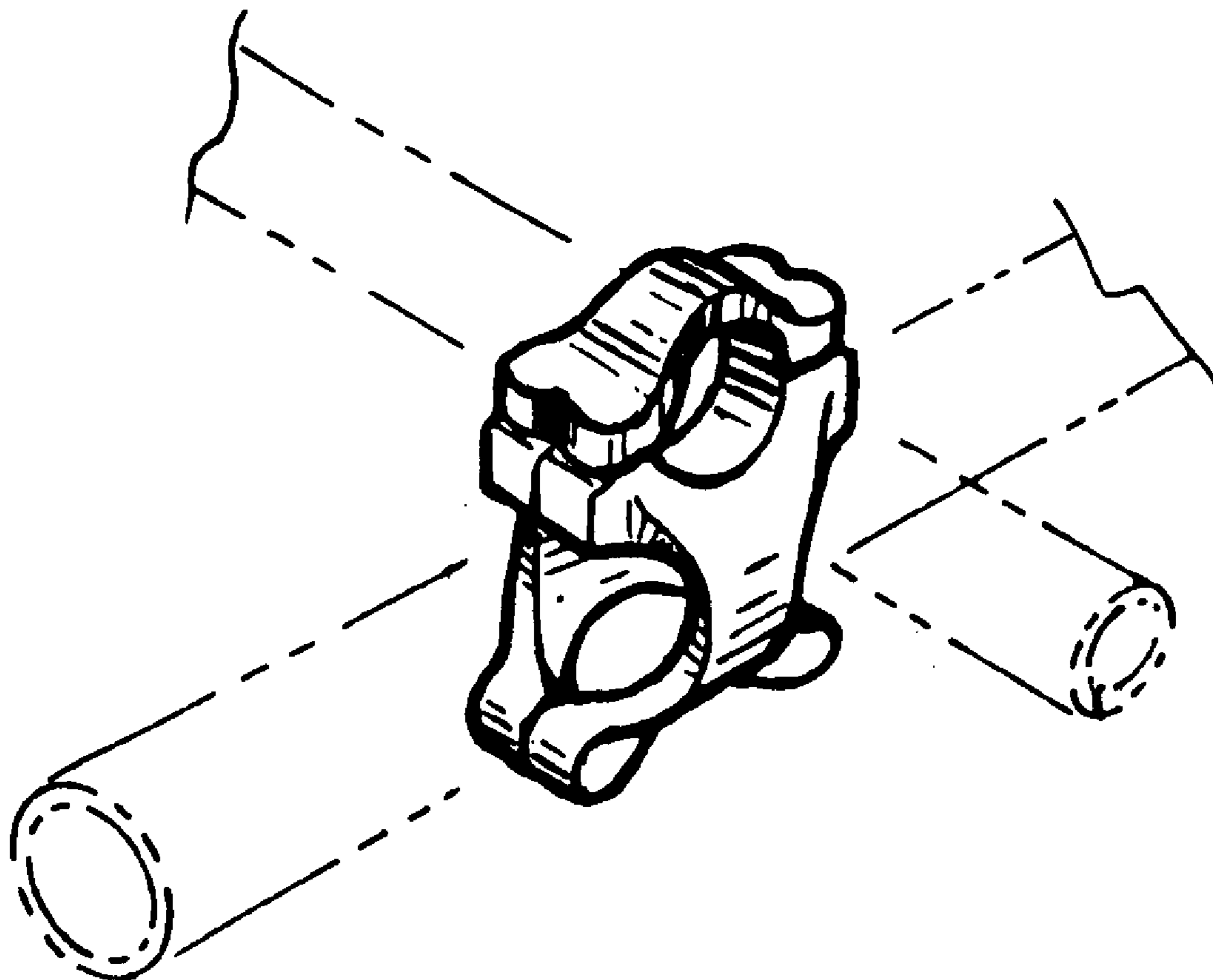
[58] **Field of Search** D12/133, 131; D8/394, 395, 396, 373; 403/180, 373, 374.4, 403, 405.1, 218

[56] References Cited

U.S. PATENT DOCUMENTS

D. 281,393 11/1985 Karnhag et al. D8/373
4,039,263 8/1977 Bassler 403/218
5,371,991 12/1994 Bechtel et al. 403/397 X

1 Claim, 2 Drawing Sheets



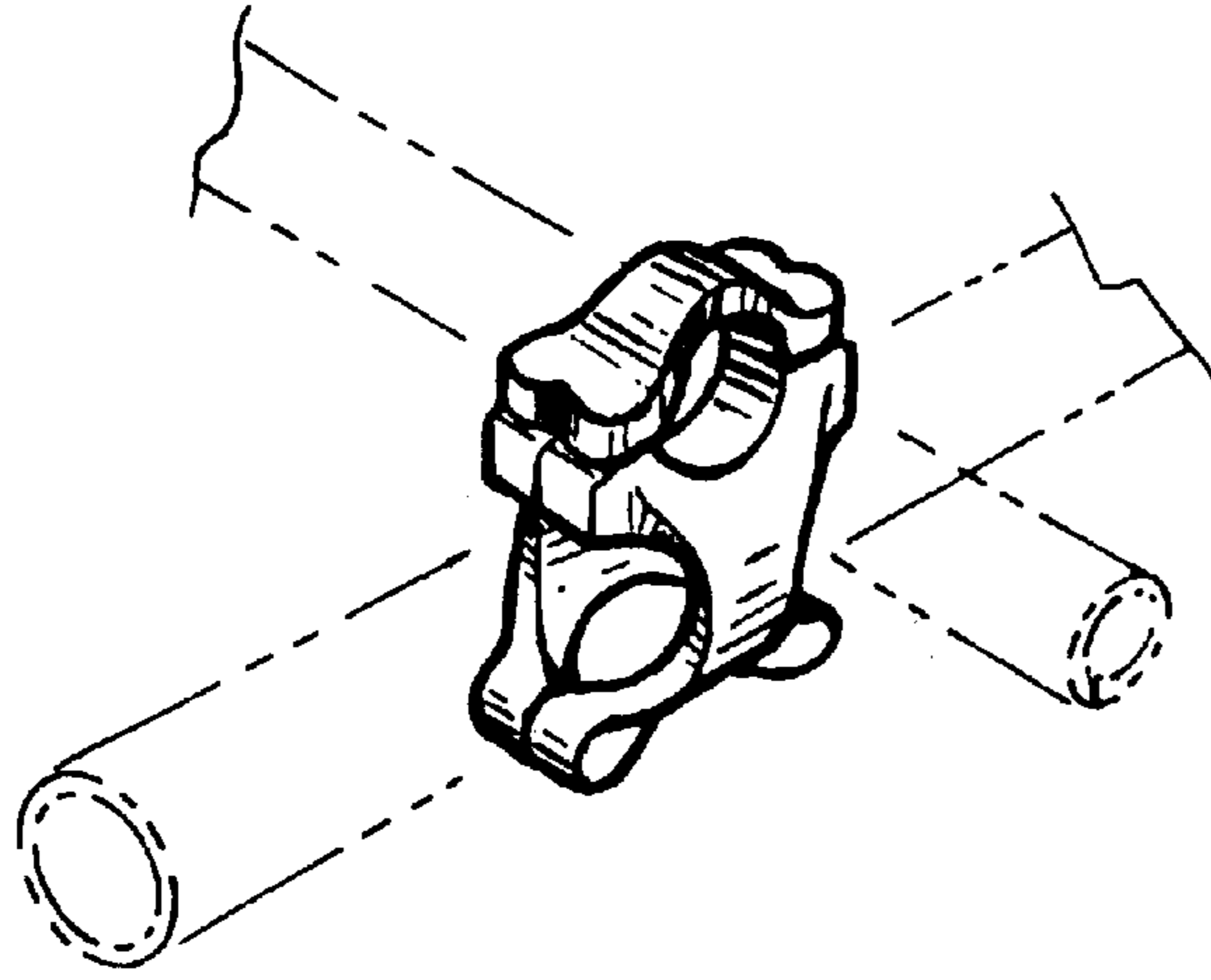


FIG. 1

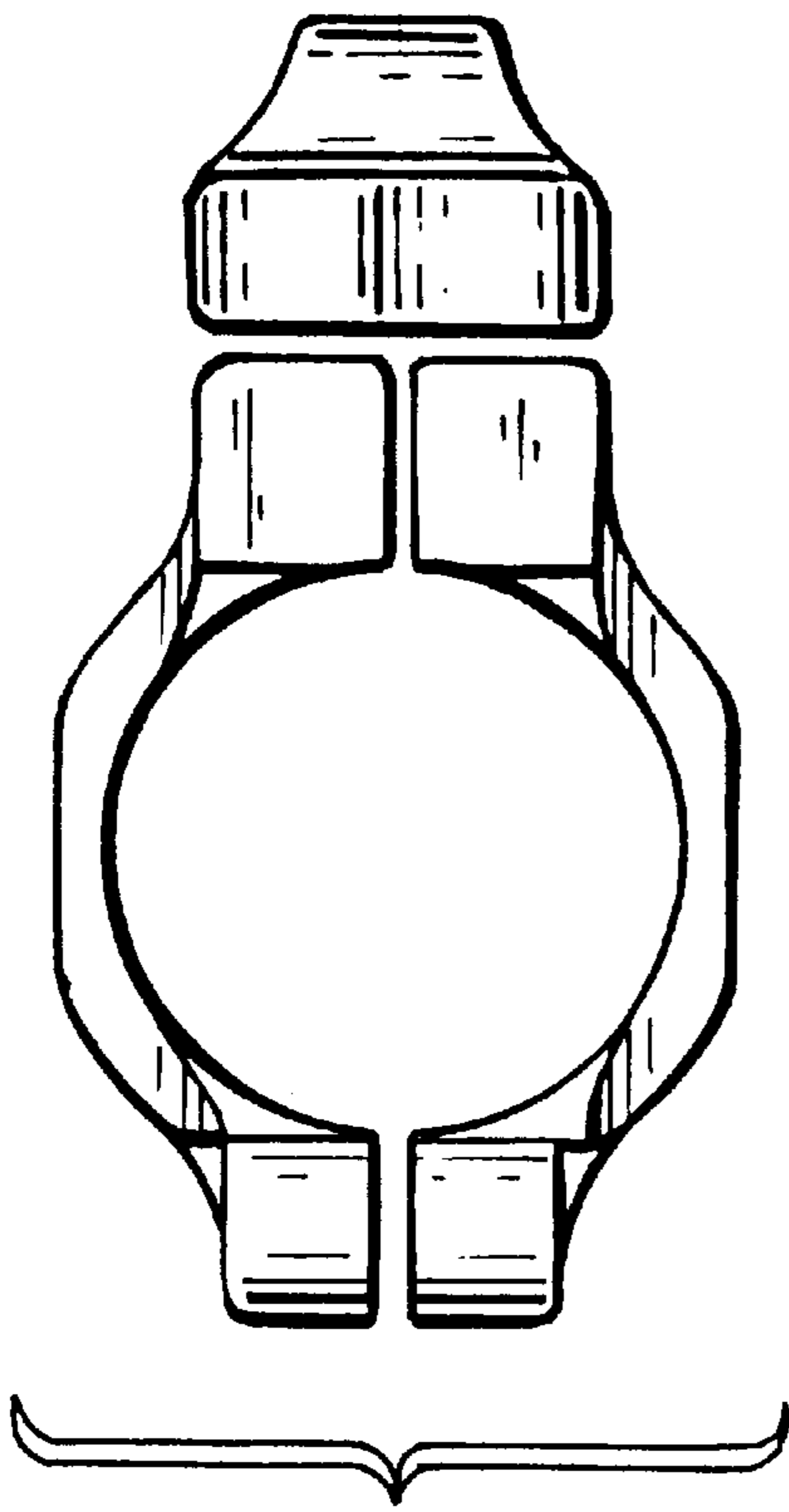


FIG. 2

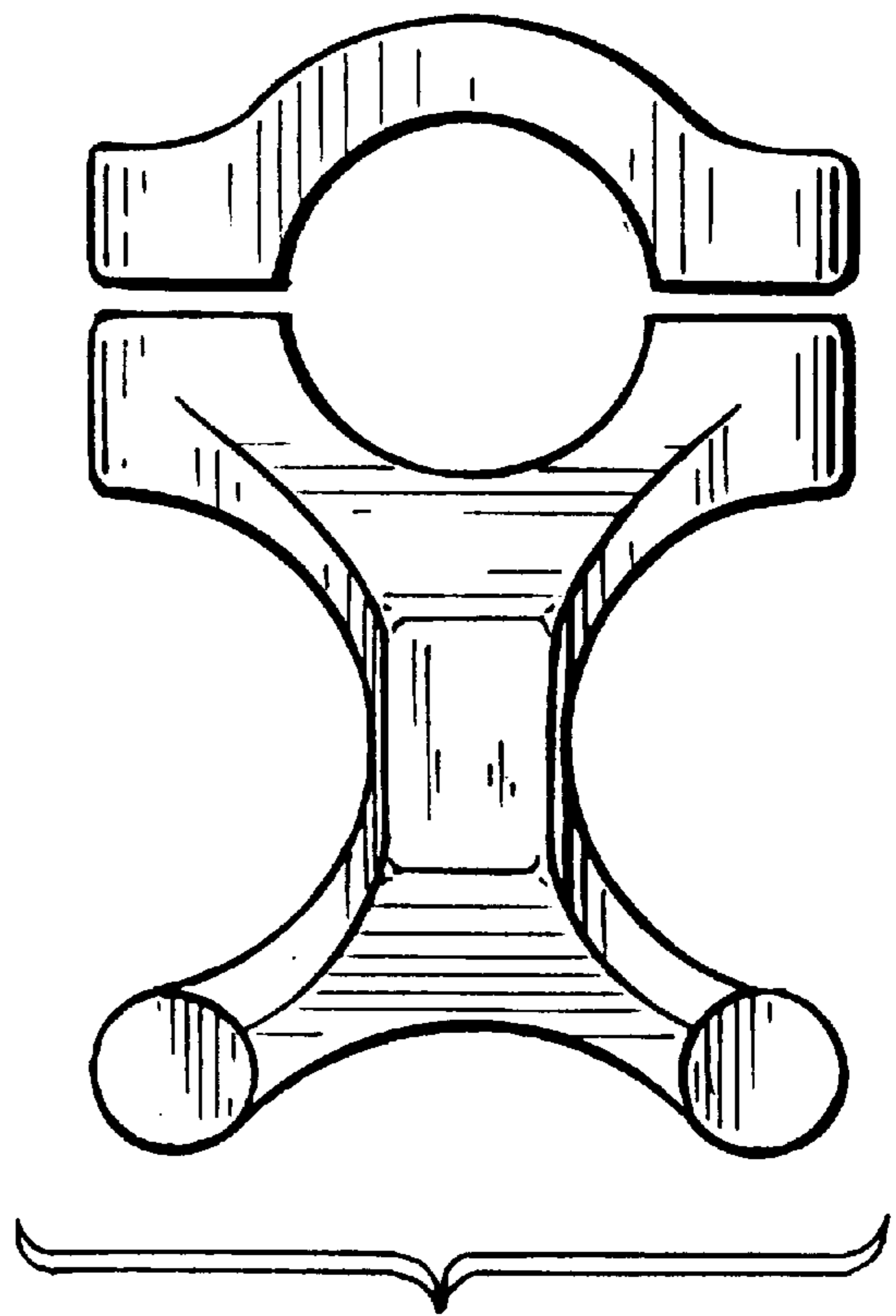


FIG. 3

FIG. 4

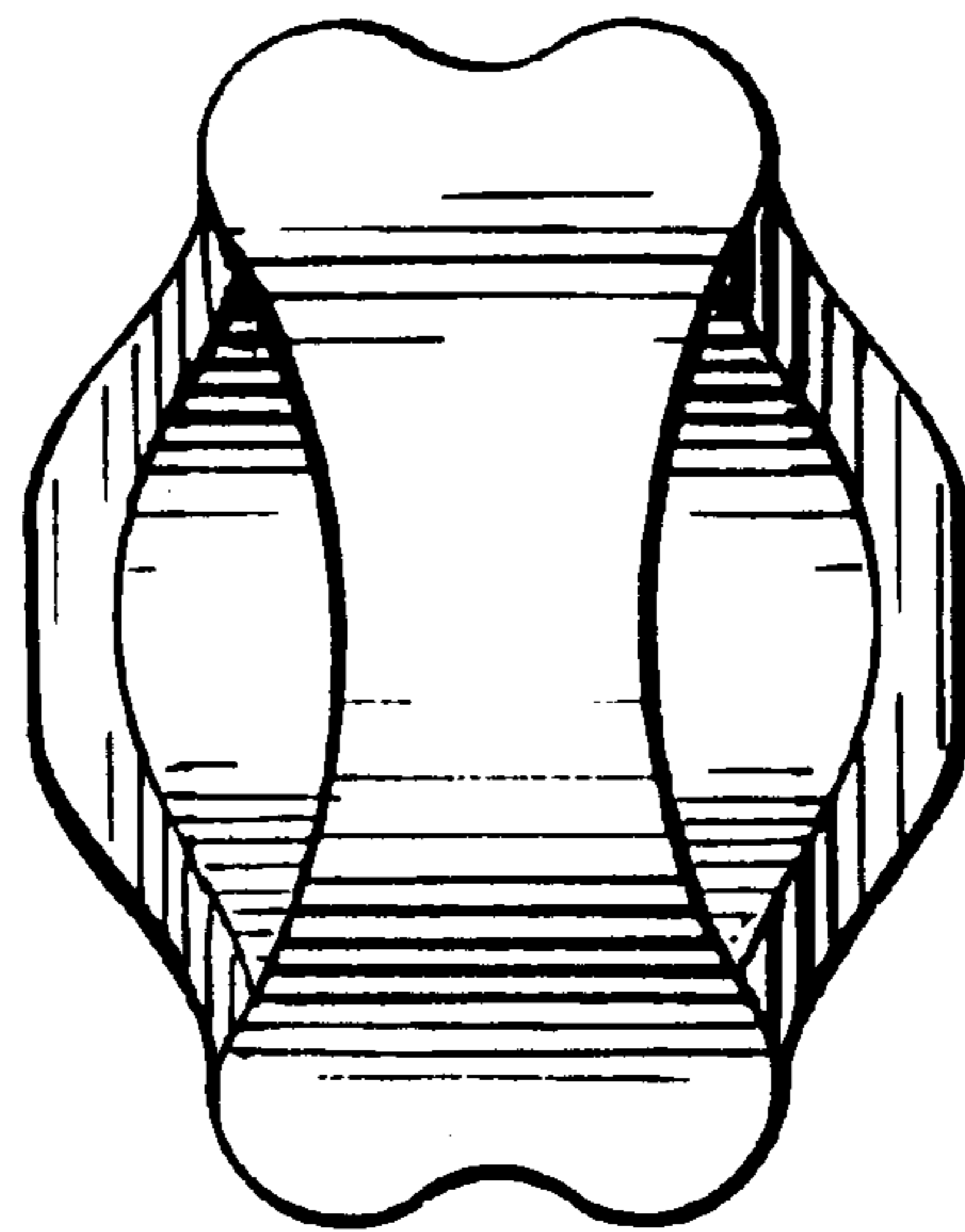


FIG. 5

