



US00D413841S

United States Patent [19]

[11] **Patent Number: Des. 413,841**

Bar et al.

[45] **Date of Patent: ** Sep. 14, 1999**

[54] **BACK SUPPORT PAD ASSEMBLY FOR A WHEELCHAIR**

5,678,891 10/1997 O'Neill et al. .

OTHER PUBLICATIONS

[75] Inventors: **Christopher A. Bar**, Belleville; **Dennis L. Clapper**, Swansea, both of Ill.

“Designing the Future of Rehab Seating” ©Pin Dot Products, Inc. 1989.

[73] Assignee: **Roho, Inc.**, Belleville, Ill.

Primary Examiner—Kay H. Chin

[**] Term: **14 Years**

Attorney, Agent, or Firm—Polster, Lieder, Woodruff & Lucchesi, L.C.

[21] Appl. No.: **29/077,570**

[57] CLAIM

[22] Filed: **Oct. 6, 1997**

The ornamental design for a back support pad assembly for a wheelchair, as shown and described.

[51] **LOC (6) Cl.** **12-12**

DESCRIPTION

[52] **U.S. Cl.** **D12/133**

[58] **Field of Search** D12/133, 131; 297/284.1, 284.3, 284.4, 284.7, 284.8, 486, 487, 464, 391

FIG. 1 is a front perspective view of a back support pad assembly for a wheelchair showing our new design, the broken lines are for illustrative purposes only and form no part of the claimed design;

[56] References Cited

U.S. PATENT DOCUMENTS

D. 356,527	3/1995	Wohnsen et al.	D12/128
D. 368,399	4/1996	Buffon .	
D. 383,929	9/1997	Ring et al. .	
3,293,671	12/1966	Griffin .	
3,730,589	5/1973	Lane	297/284.3
5,054,854	10/1991	Pruit	297/284.3
5,062,677	11/1991	Jay et al. .	
5,127,709	7/1992	Rubinstein et al. .	
5,211,446	5/1993	Jay et al. .	
5,228,747	7/1993	Greene .	
5,364,162	11/1994	Bar et al. .	
5,407,248	4/1995	Jay et al. .	
5,447,356	9/1995	Snijders .	
5,518,294	5/1996	Ligon, Sr. et al. .	
5,524,969	6/1996	Harrison et al. .	
5,524,971	6/1996	Jay et al. .	
5,544,378	8/1996	Chow .	
5,547,251	8/1996	Axelsson .	
5,564,788	10/1996	Warhaftig .	
5,573,302	11/1996	Harrison et al. .	
5,630,651	5/1997	Fishbane .	
5,671,977	9/1997	Jay et al. .	

FIG. 2 is a rear perspective view thereof;

FIG. 3 is a front elevational view thereof;

FIG. 4 is a rear elevational view thereof;

FIG. 5 is a side elevational view thereof;

FIG. 6 is a top plan view thereof;

FIG. 7 is a bottom plan view thereof;

FIG. 8 is a front perspective view of a second embodiment of the back support pad assembly for a wheelchair;

FIG. 9 is a rear perspective view of a FIG. 8;

FIG. 10 is a front elevational view of FIG. 8;

FIG. 11 is a rear elevational view of FIG. 8;

FIG. 12 is a side elevational view of FIG. 8;

FIG. 13 is a top plan view of FIG. 8;

FIG. 14 is a bottom plan view of FIG. 8;

FIG. 15 is a rear perspective view of a third embodiment of the back support pad assembly for a wheelchair;

FIG. 16 is a front elevational view of FIG. 15;

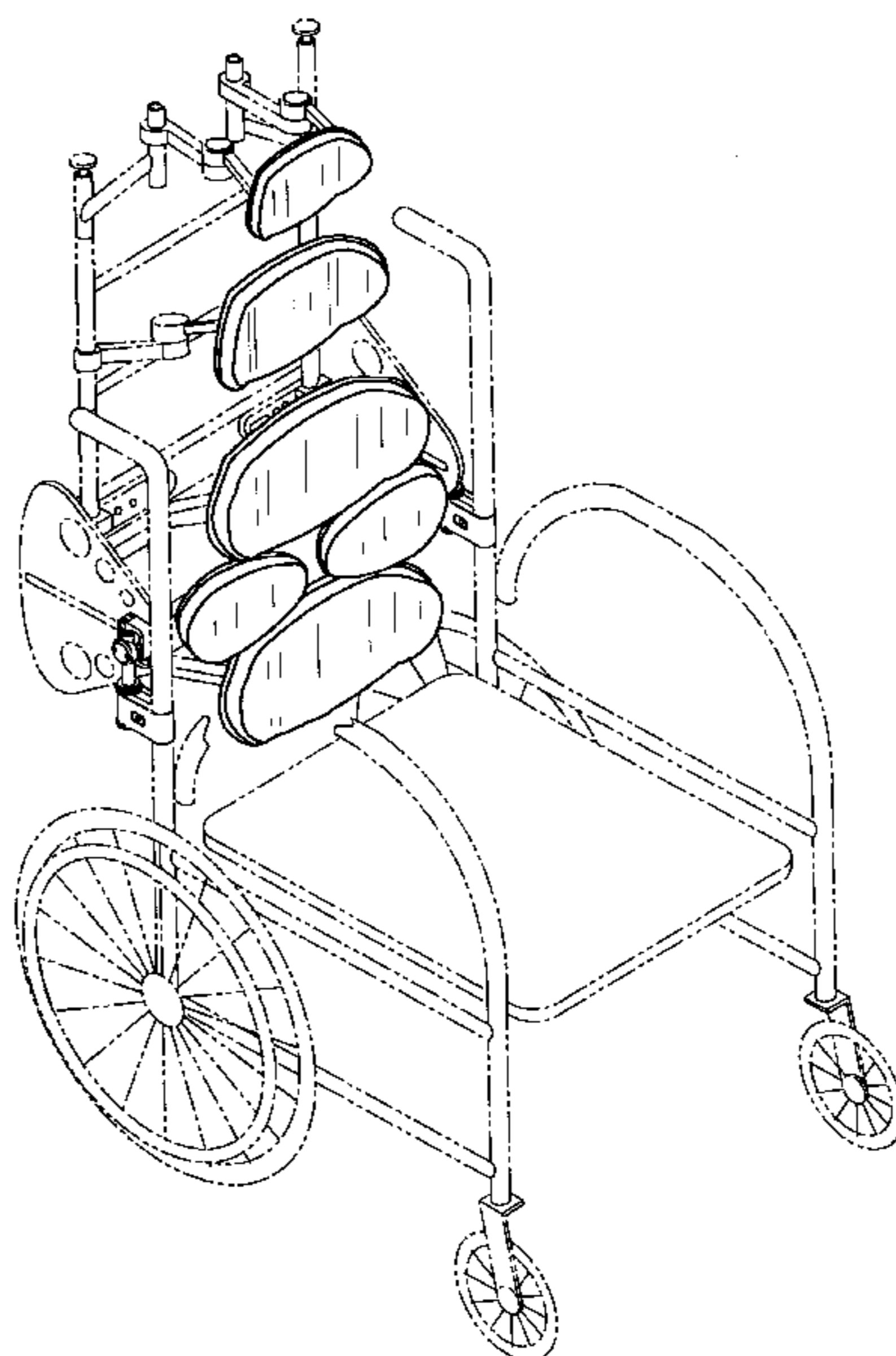
FIG. 17 is a rear elevational view of FIG. 15;

FIG. 18 is a side elevational view of FIG. 15;

FIG. 19 is a top plan view of FIG. 15; and,

FIG. 20 is a bottom plan view of FIG. 15.

1 Claim, 8 Drawing Sheets



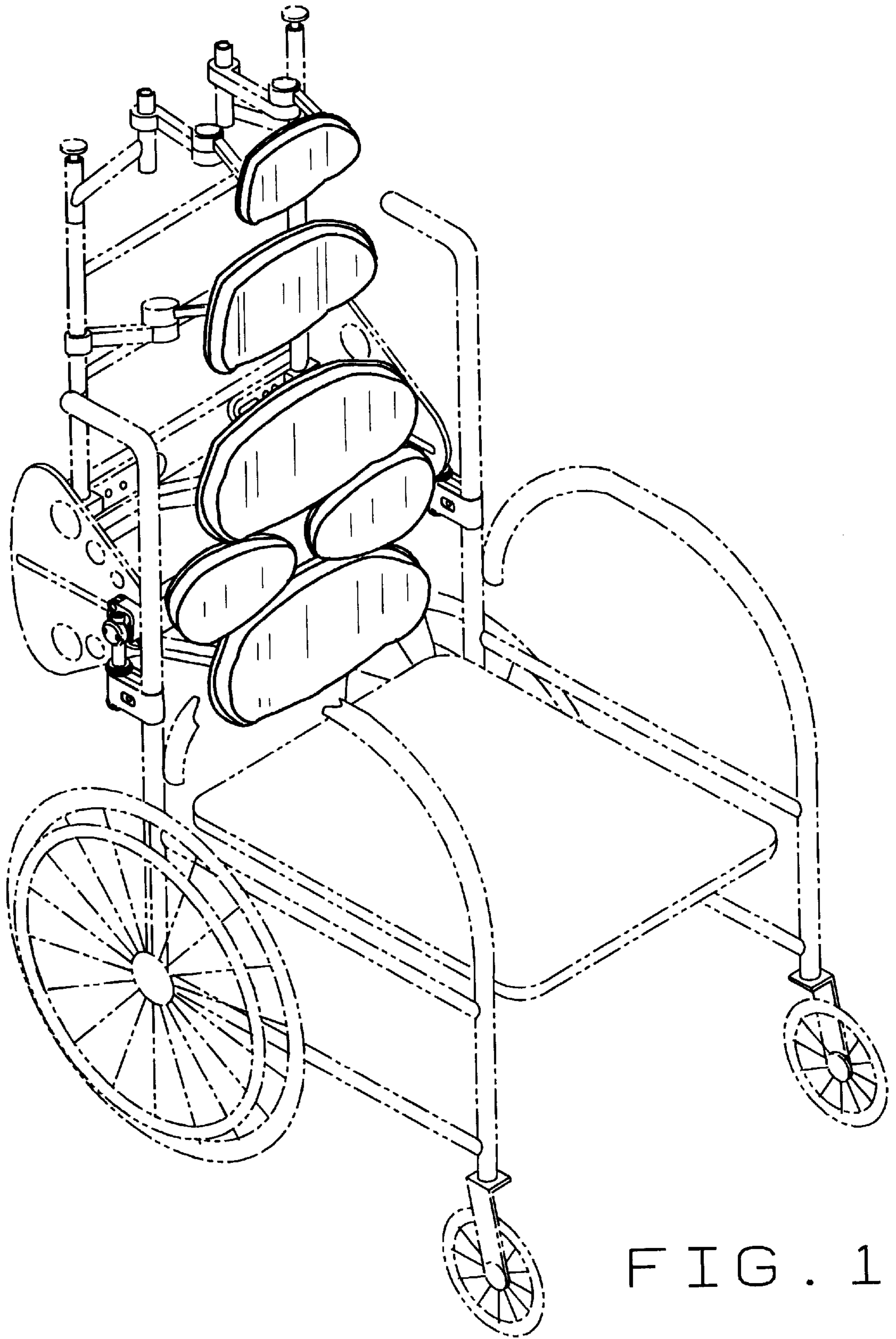


FIG. 1

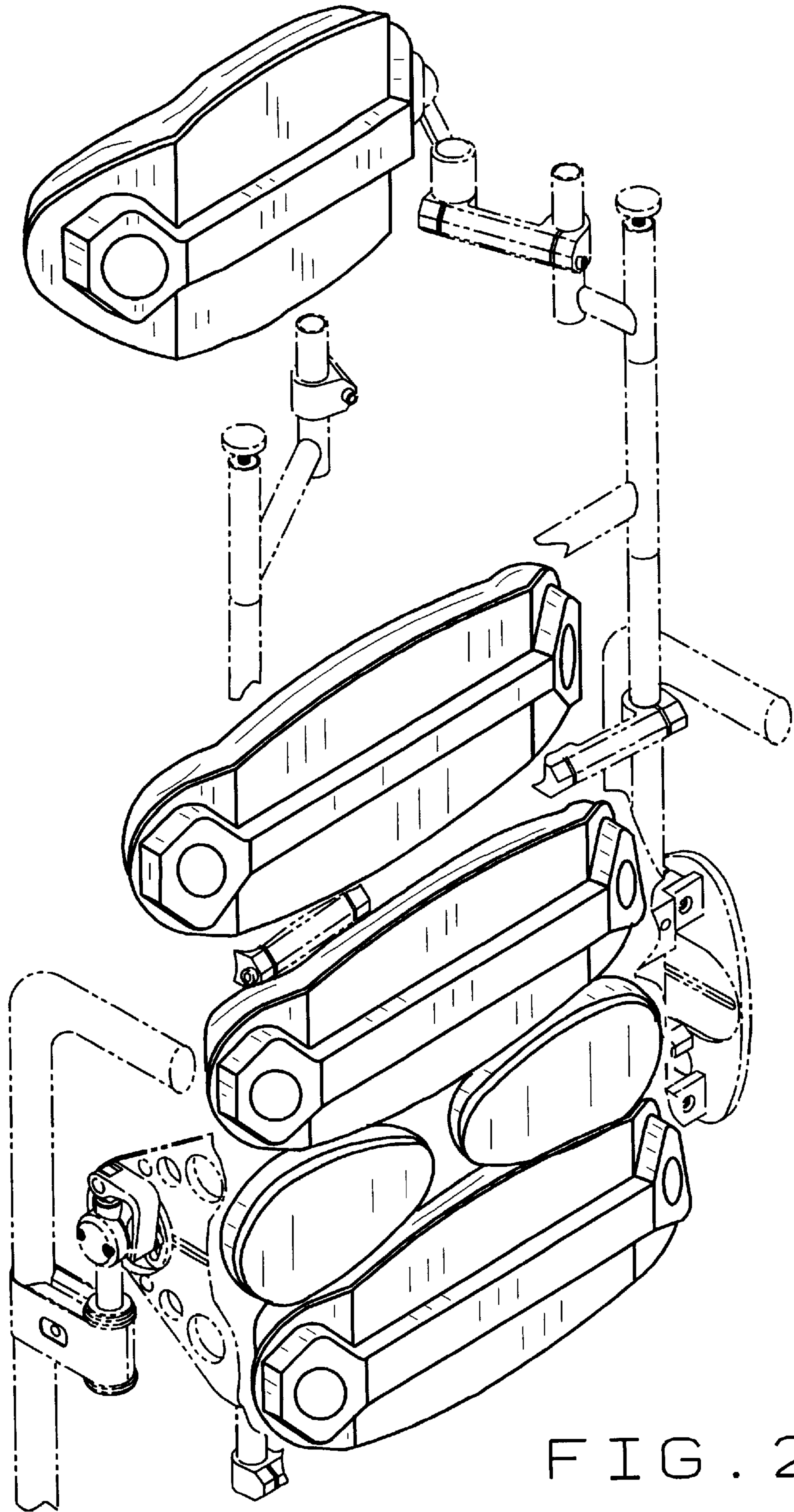


FIG. 2

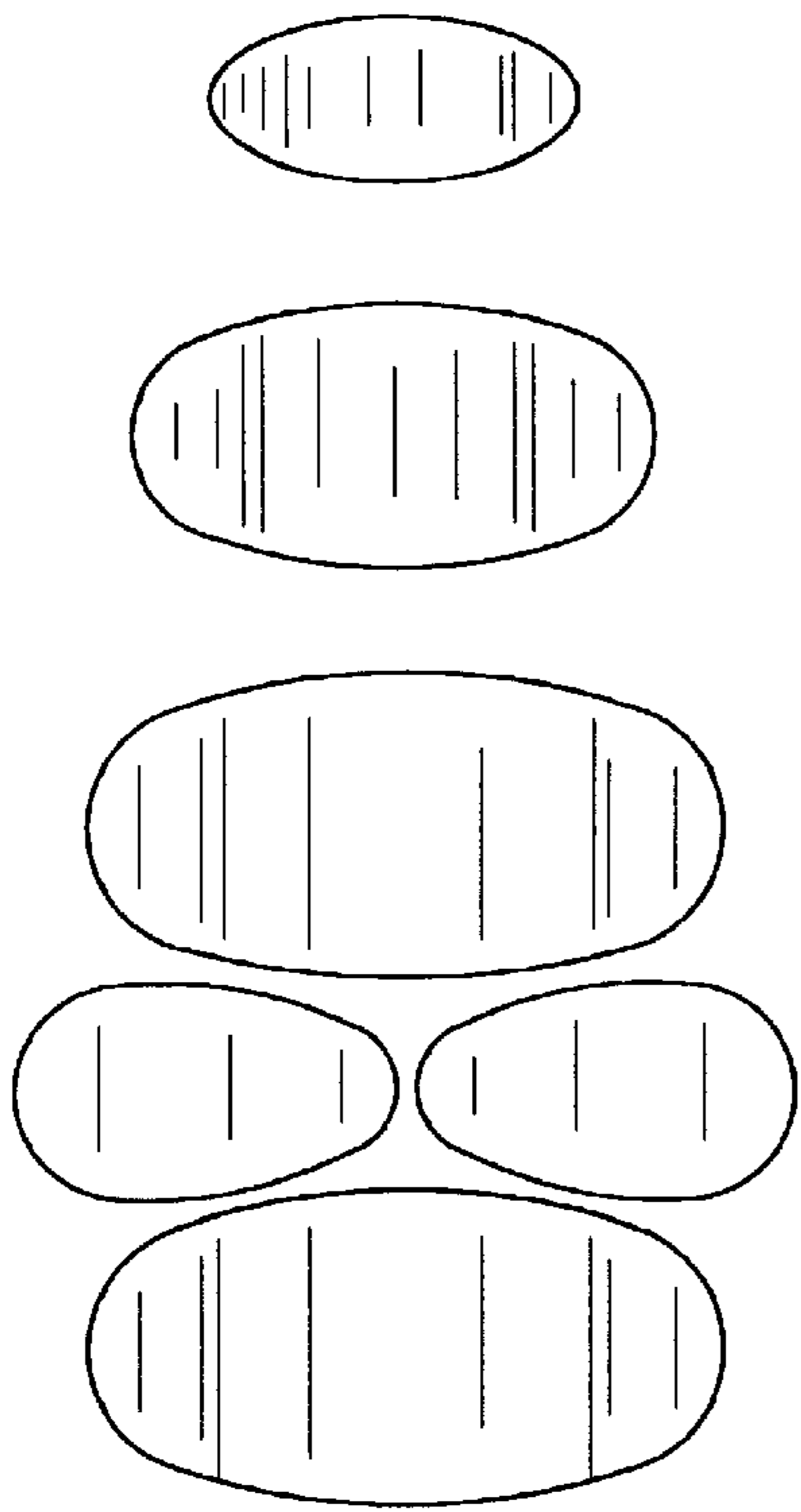


FIG. 3

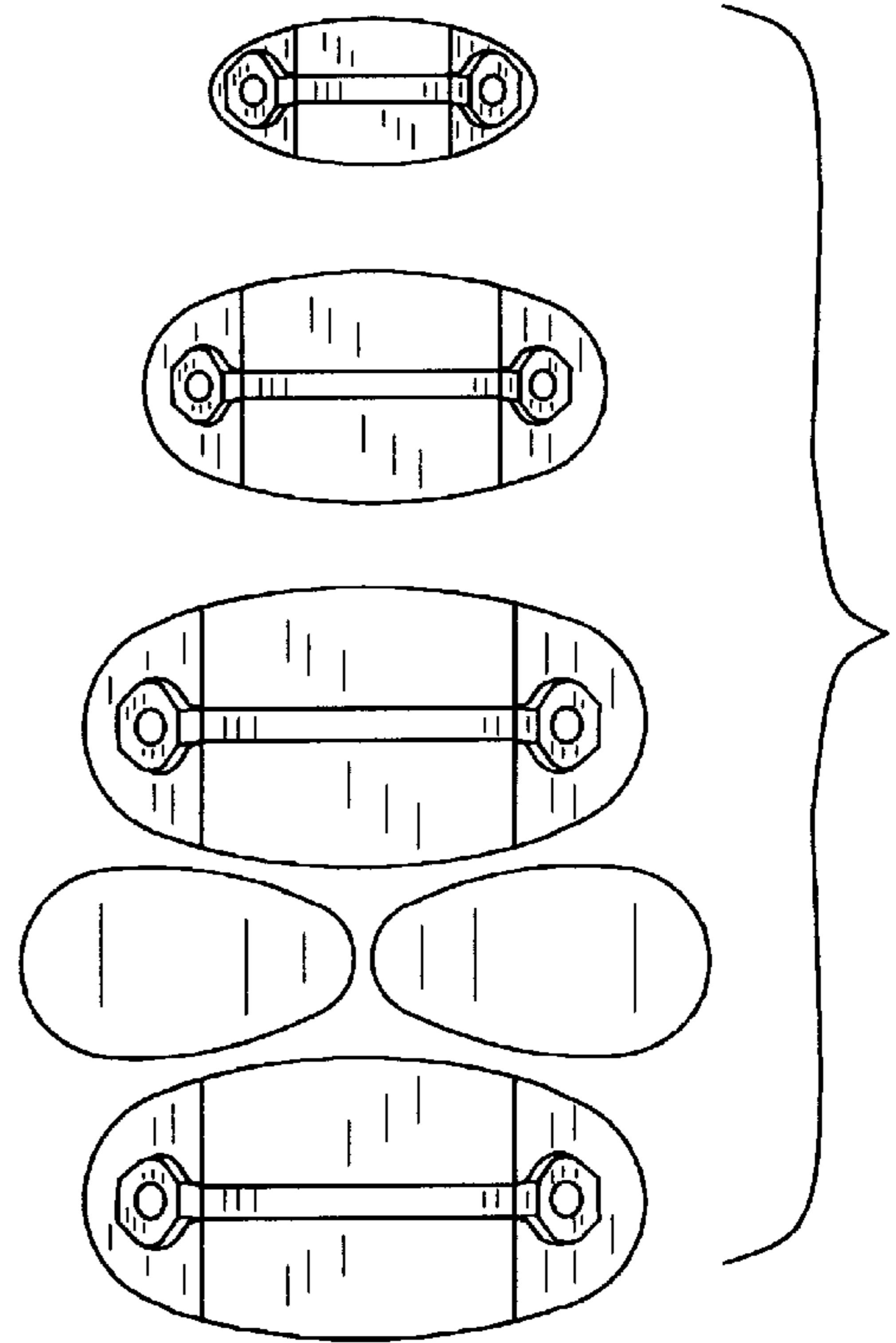


FIG. 4

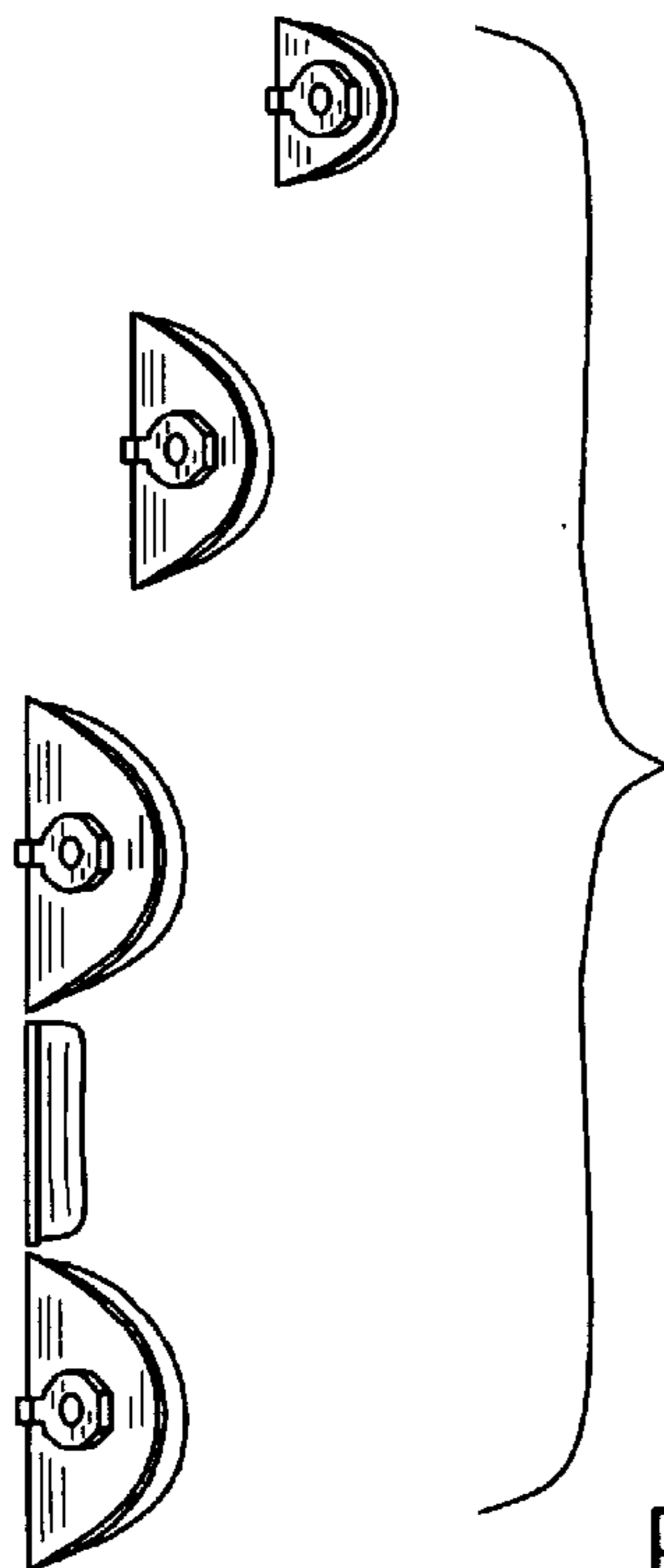


FIG. 5

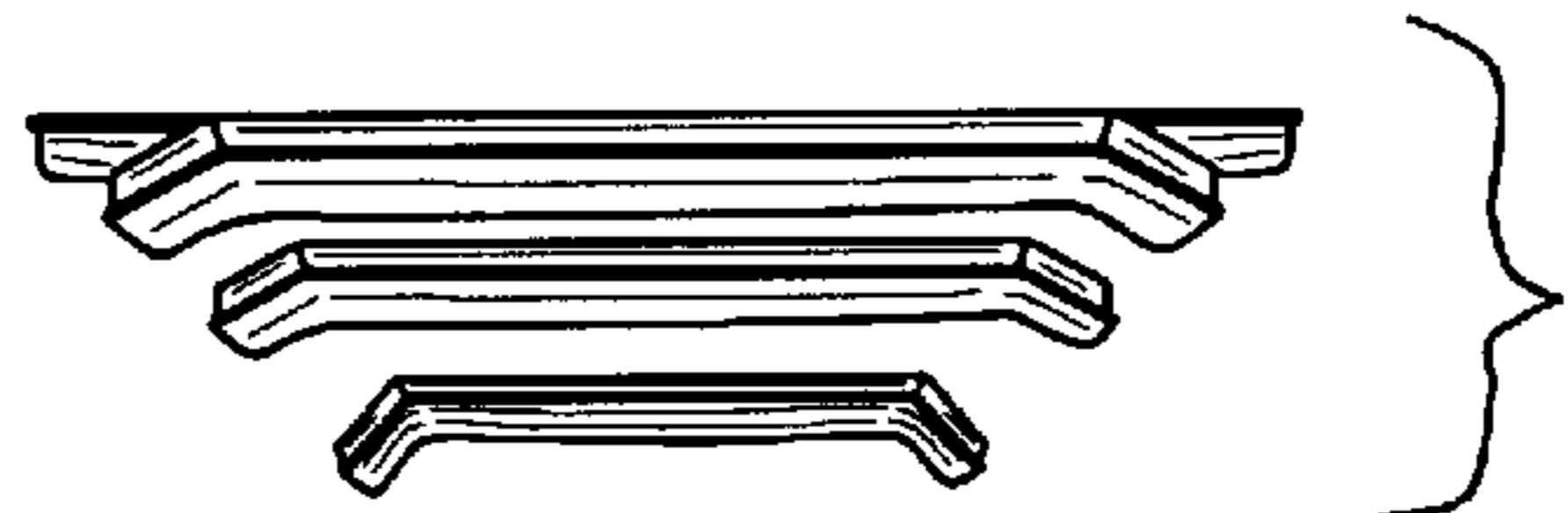


FIG. 6

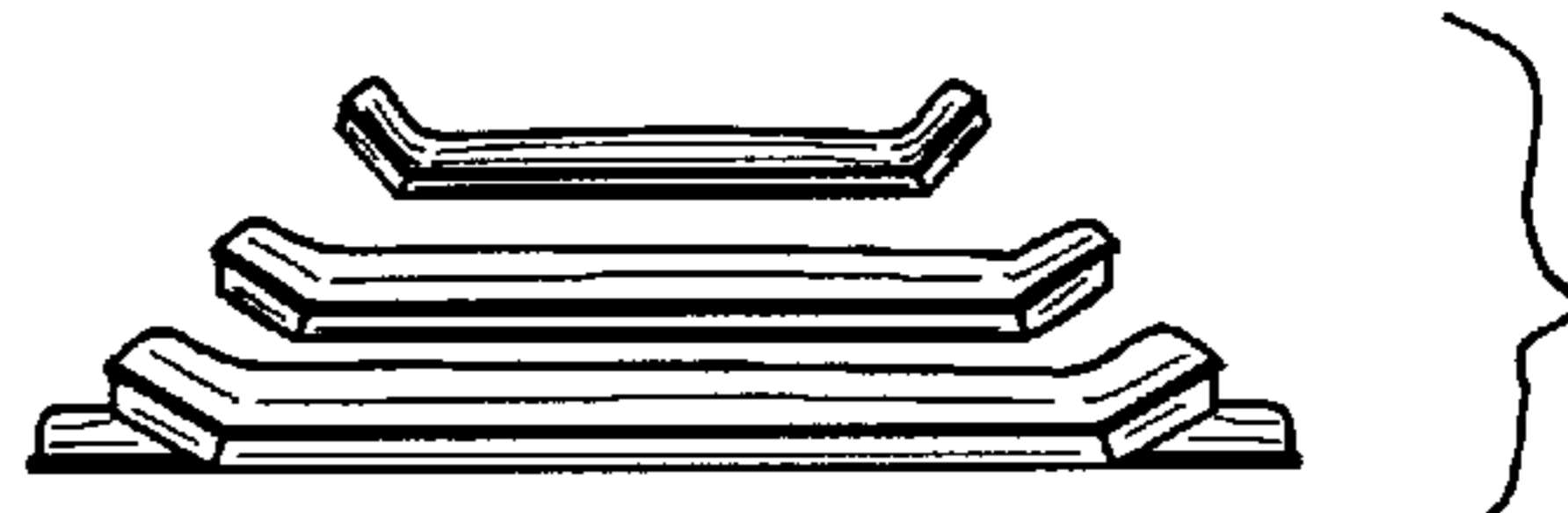


FIG. 7

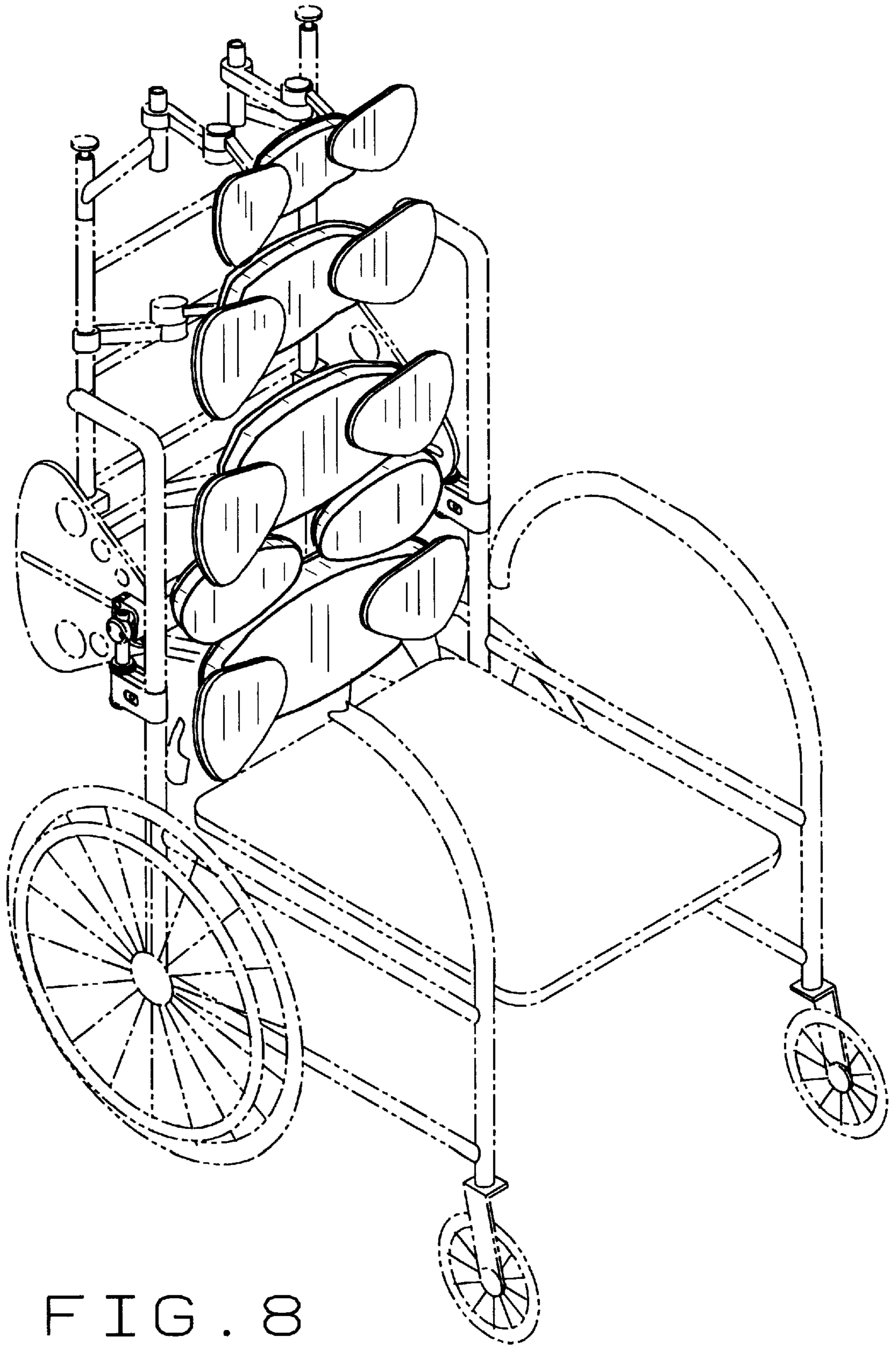


FIG. 8

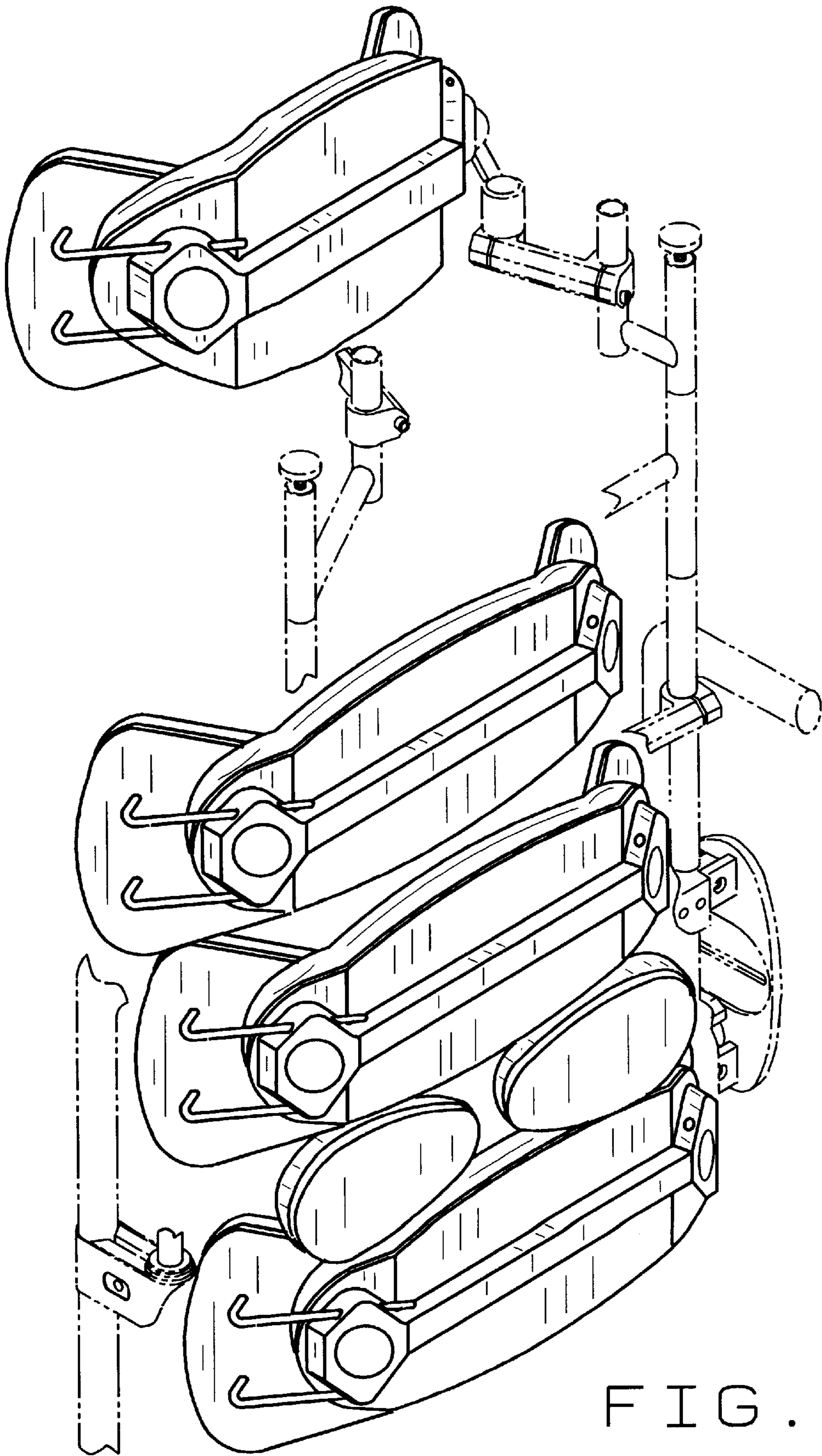


FIG. 9

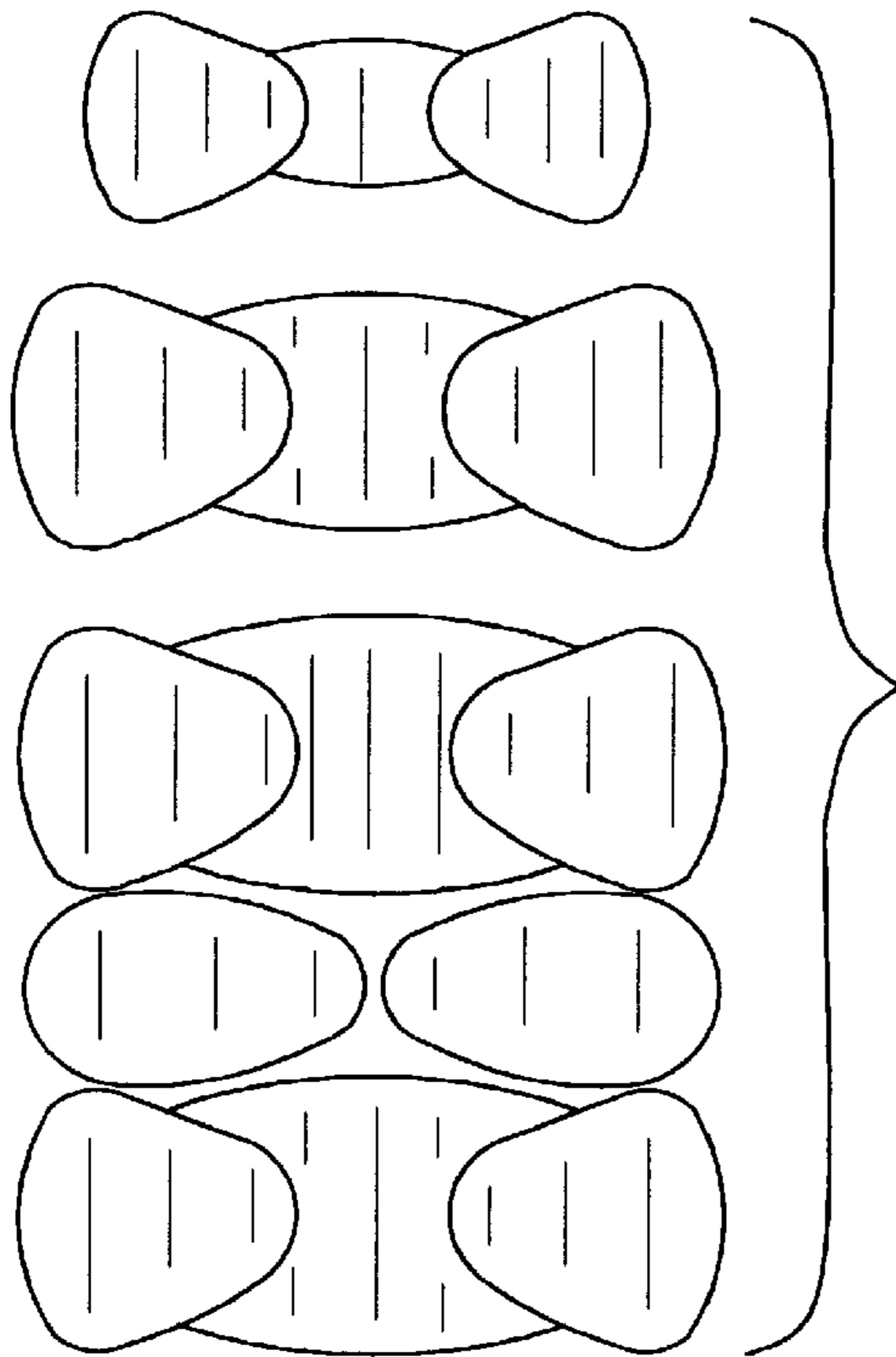


FIG. 10

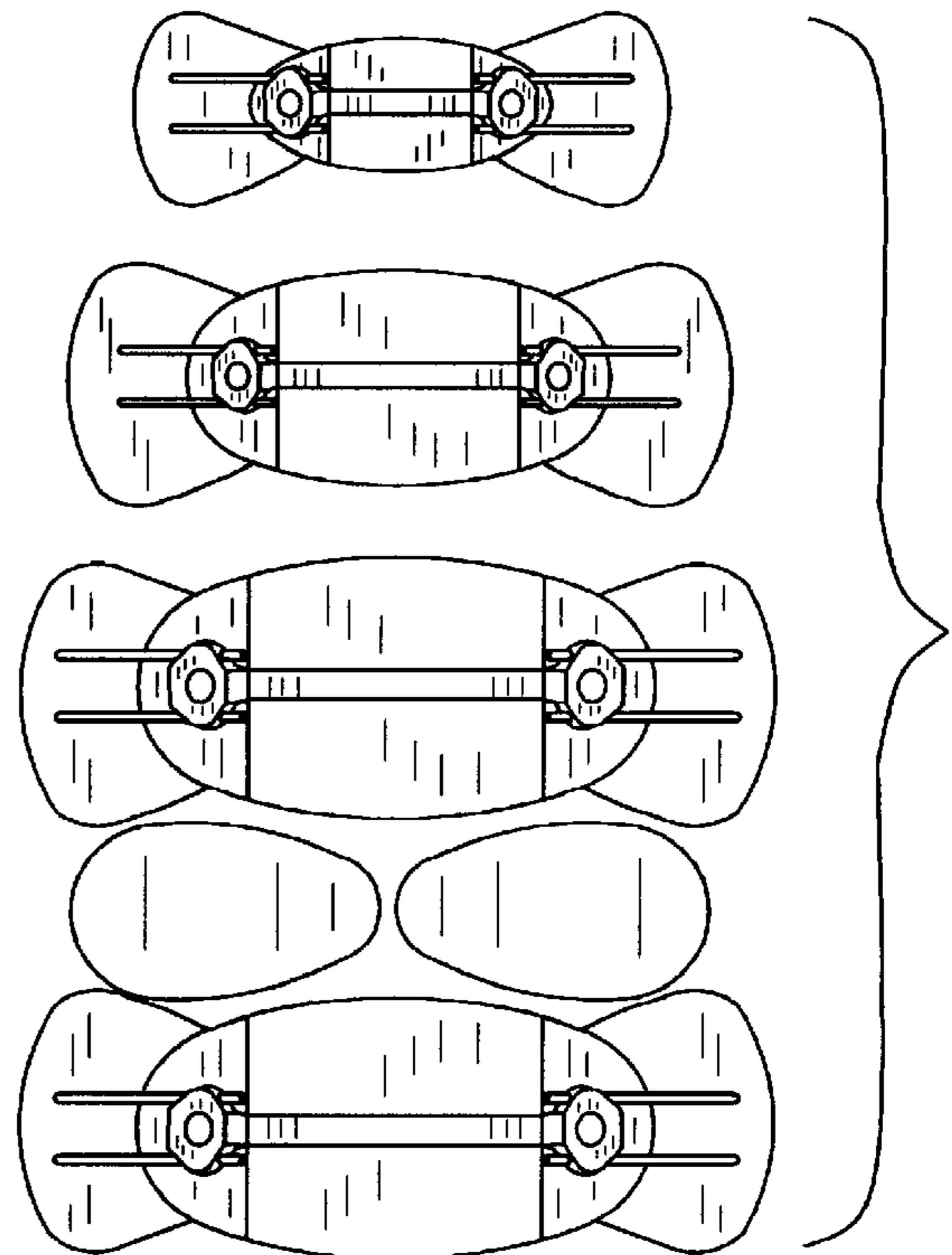


FIG. 11

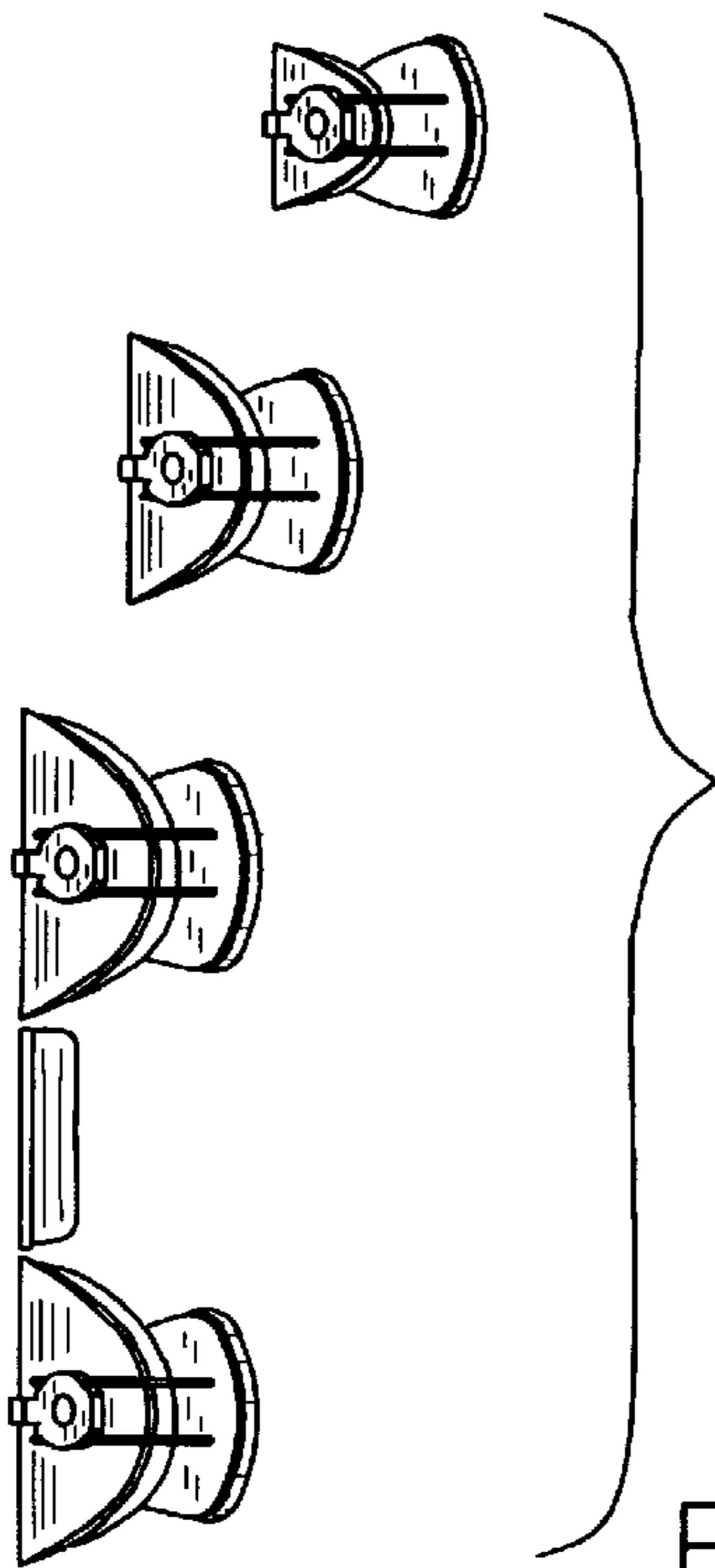


FIG. 12

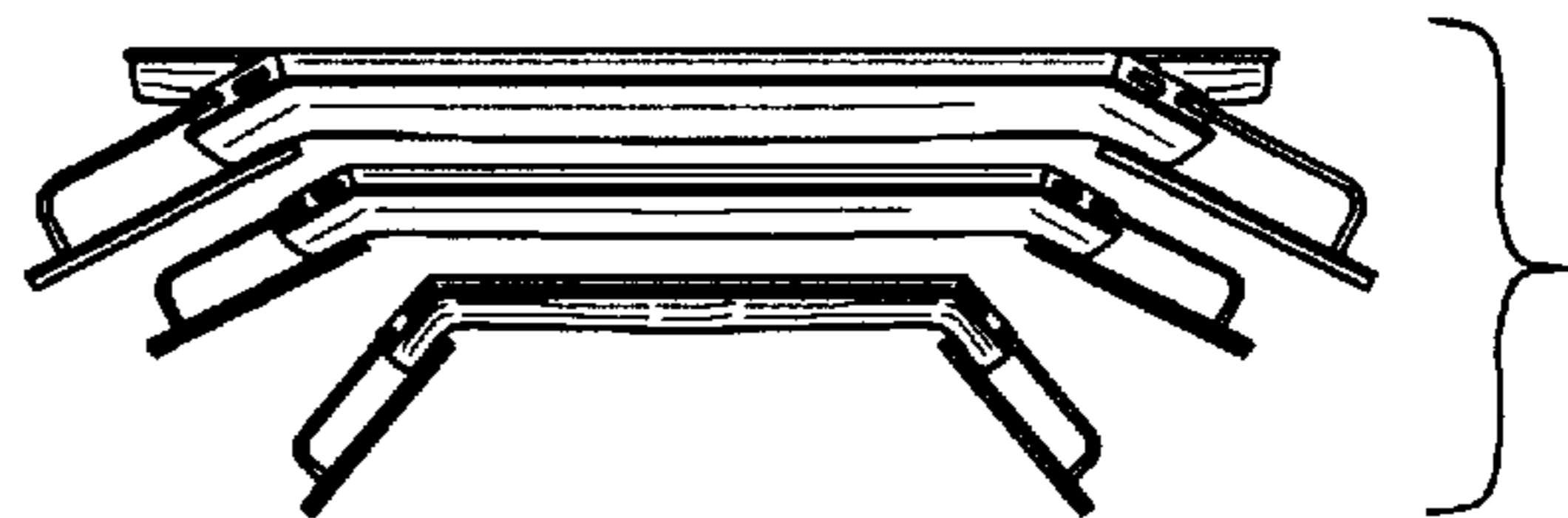


FIG. 13



FIG. 14

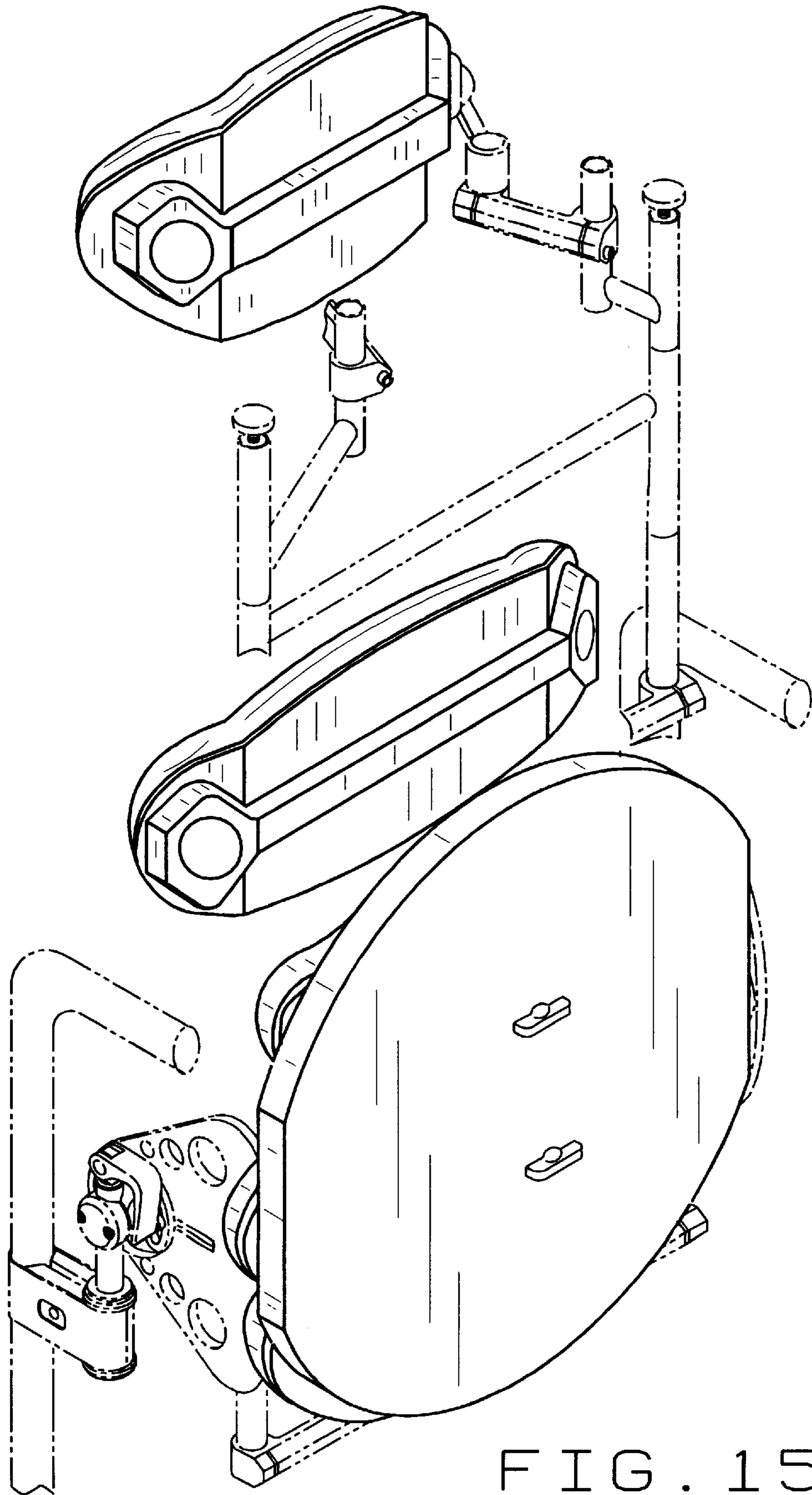


FIG. 15

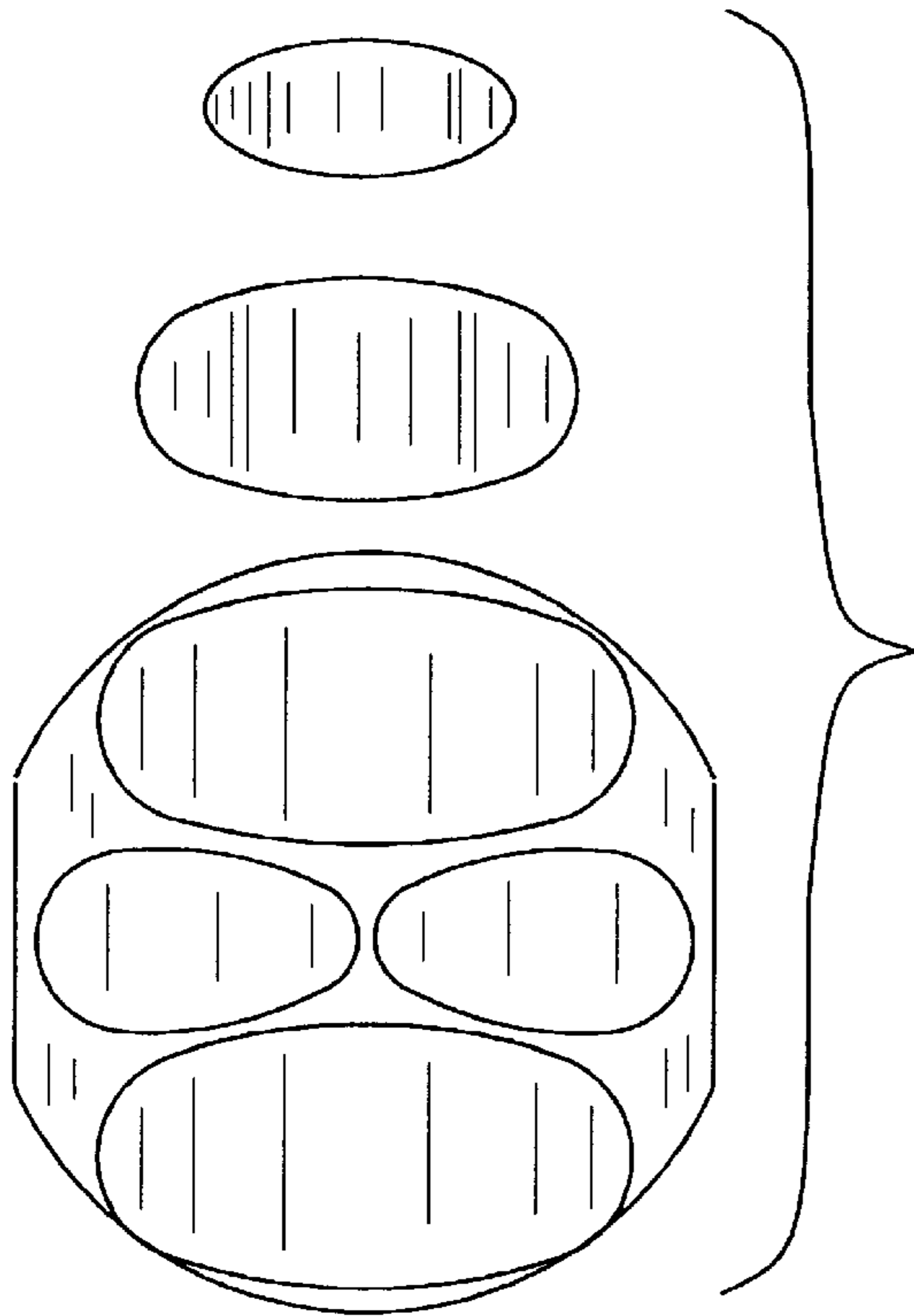


FIG. 16

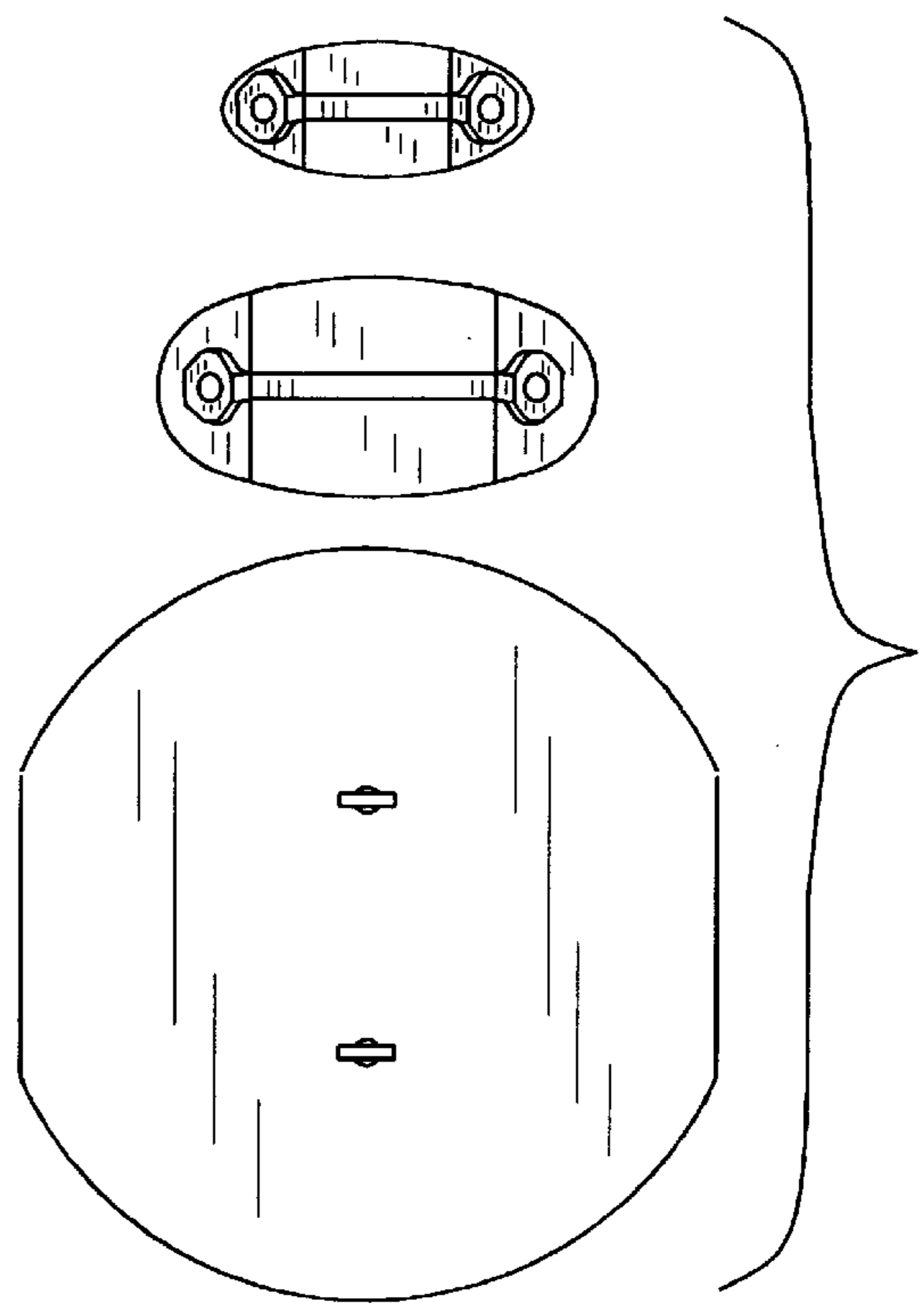


FIG. 17

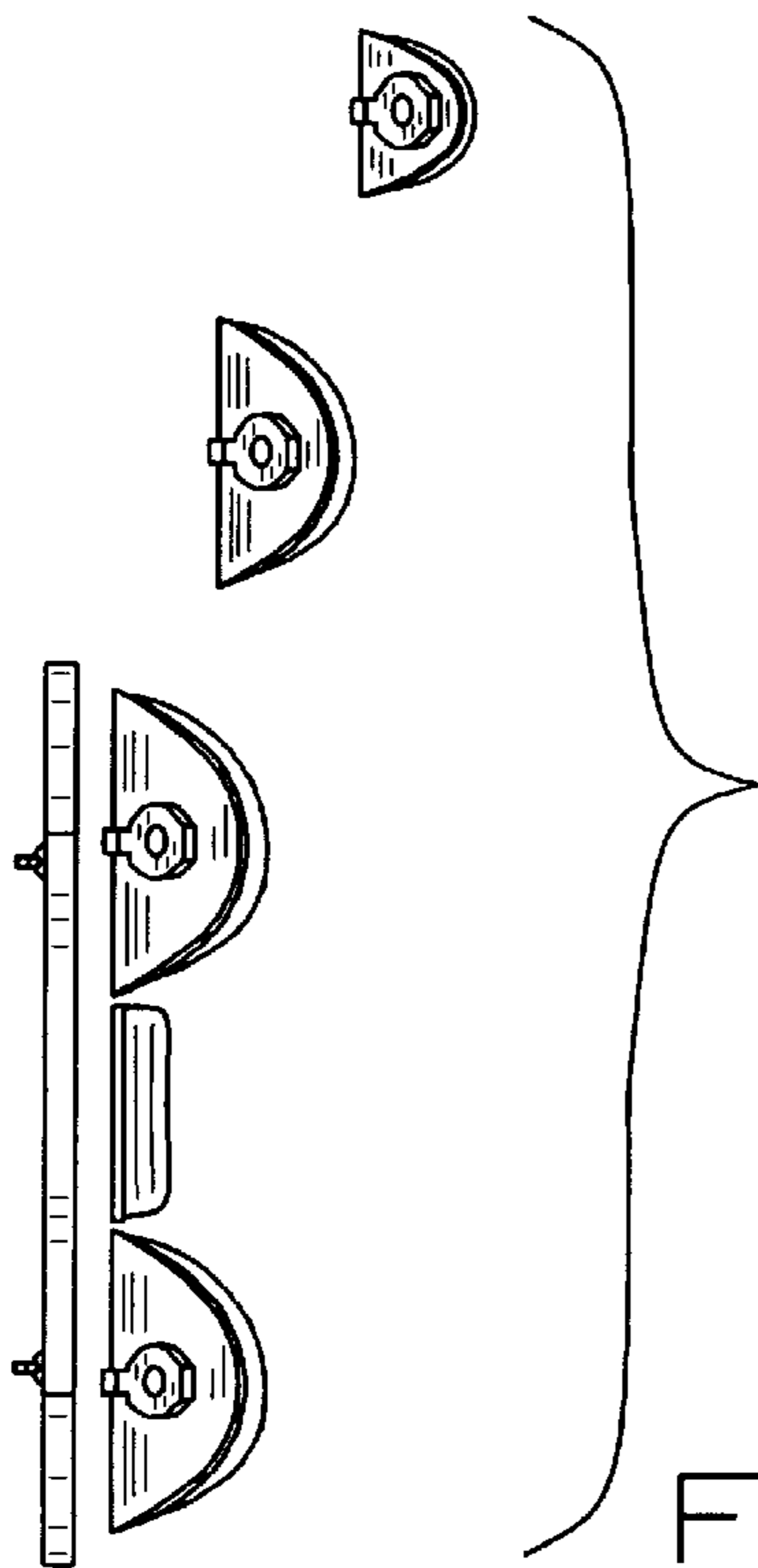


FIG. 18

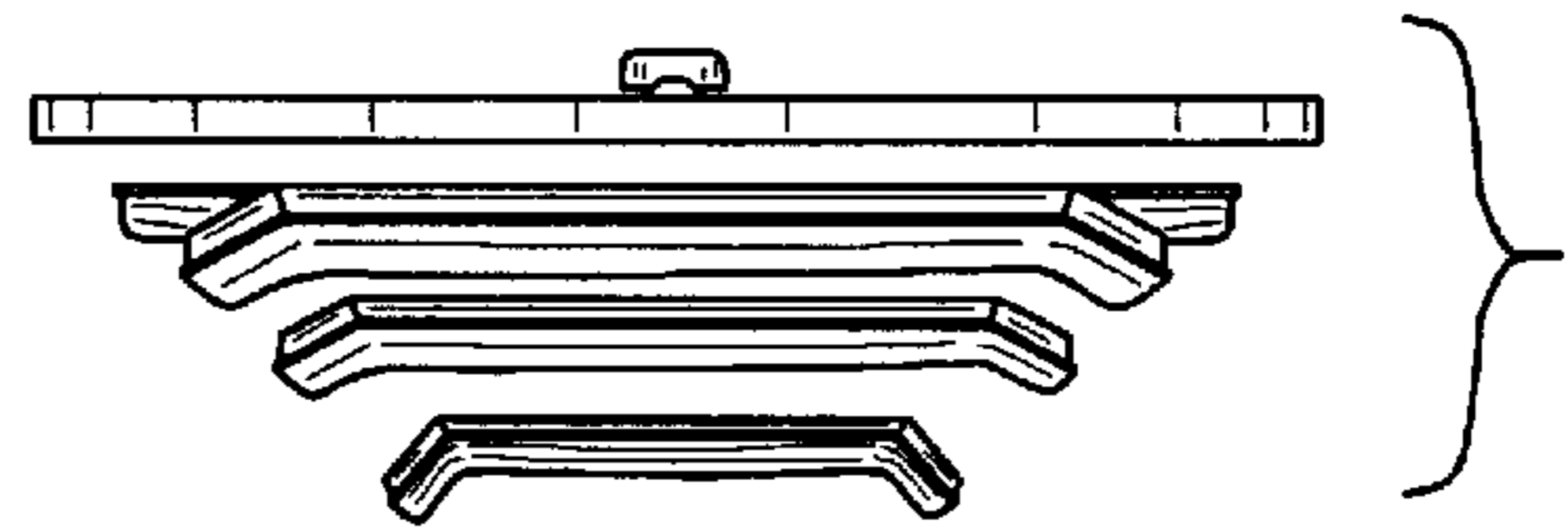


FIG. 19

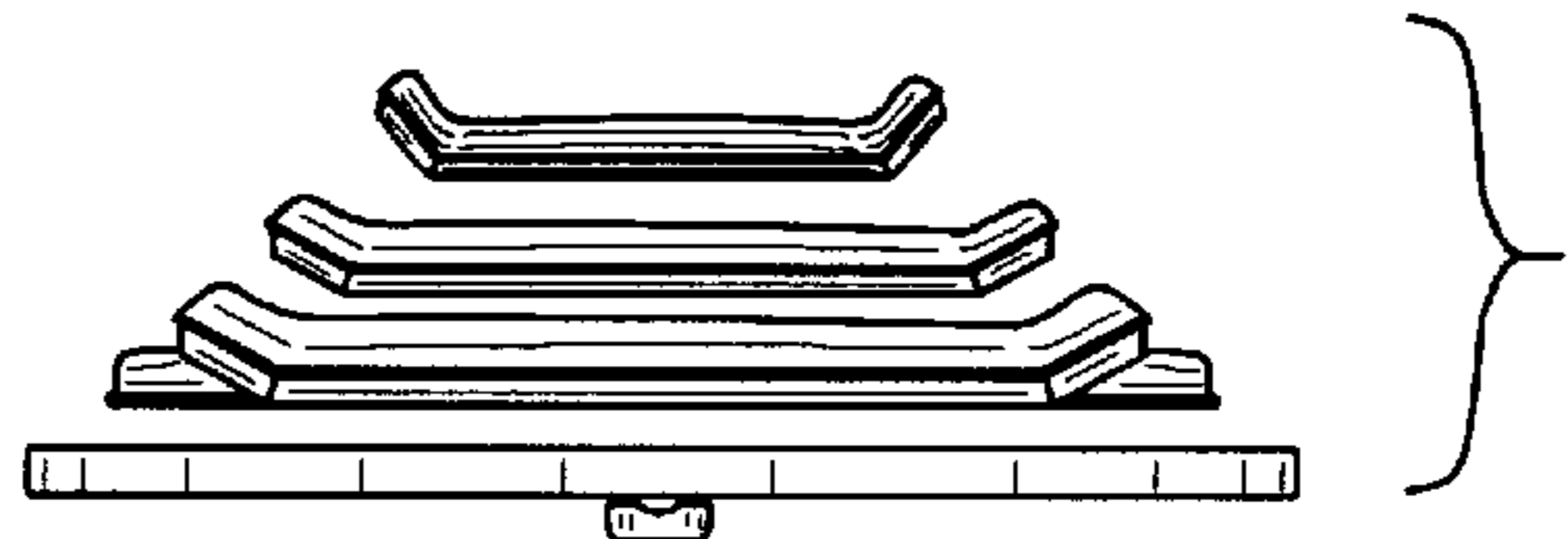


FIG. 20