



US00D413830S

United States Patent [19]

Moten

[11] Patent Number: **Des. 413,830**

[45] Date of Patent: **** Sep. 14, 1999**

[54] **EARRING**

[76] Inventor: **Ola M. Moten**, 795 W. Palm St.,
Compton, Calif. 90220

[**] Term: **14 Years**

[21] Appl. No.: **29/083,163**

[22] Filed: **Feb. 6, 1998**

[51] **LOC (6) Cl.** **11-01**

[52] **U.S. Cl.** **D11/40; D11/43**

[58] **Field of Search** D11/40-52, 59-68,
D11/74-78, 3, 96-97; 63/1.11, 12-13, 18-19,
21, 38, 26-28, 14.1-14.2, 3, 4

[56] **References Cited**

U.S. PATENT DOCUMENTS

D. 146,936	6/1947	Chernow	D11/43
D. 159,588	8/1950	Boucher	D11/44
175,230	3/1876	Woglom et al.	D11/19
193,758	7/1877	Faas	63/18
D. 308,950	7/1990	Greenhouse	D11/45
D. 330,872	11/1992	Ball	D11/43

D. 342,691	12/1993	Milgrom	D11/43
D. 380,979	7/1997	Perlmutter	D11/79
1,075,529	10/1913	Willemin	63/19
1,255,256	5/1918	Hathaway	63/19
1,362,384	5/1920	Benjamin et al.	63/18
2,262,548	11/1941	Genserin et al.	63/19
2,863,307	12/1958	Donle	63/19
3,678,705	7/1972	Korwin	63/18

Primary Examiner—Cathy Anne MacCormac

[57] **CLAIM**

The ornamental design for a earring, as shown and described.

DESCRIPTION

FIG. 1 is a front elevational view of the earring showing my new design;

FIG. 2 is a rear elevational view thereof;

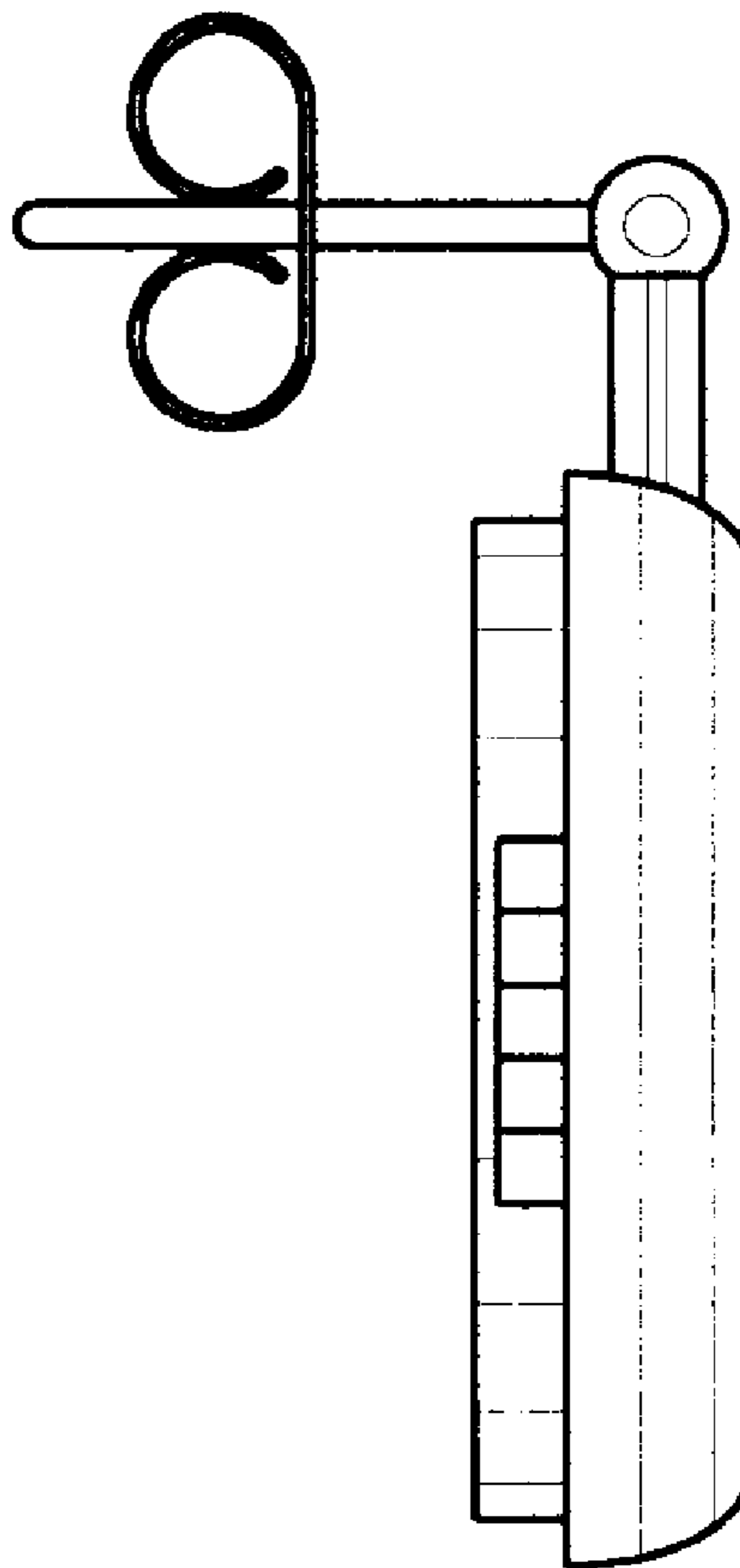
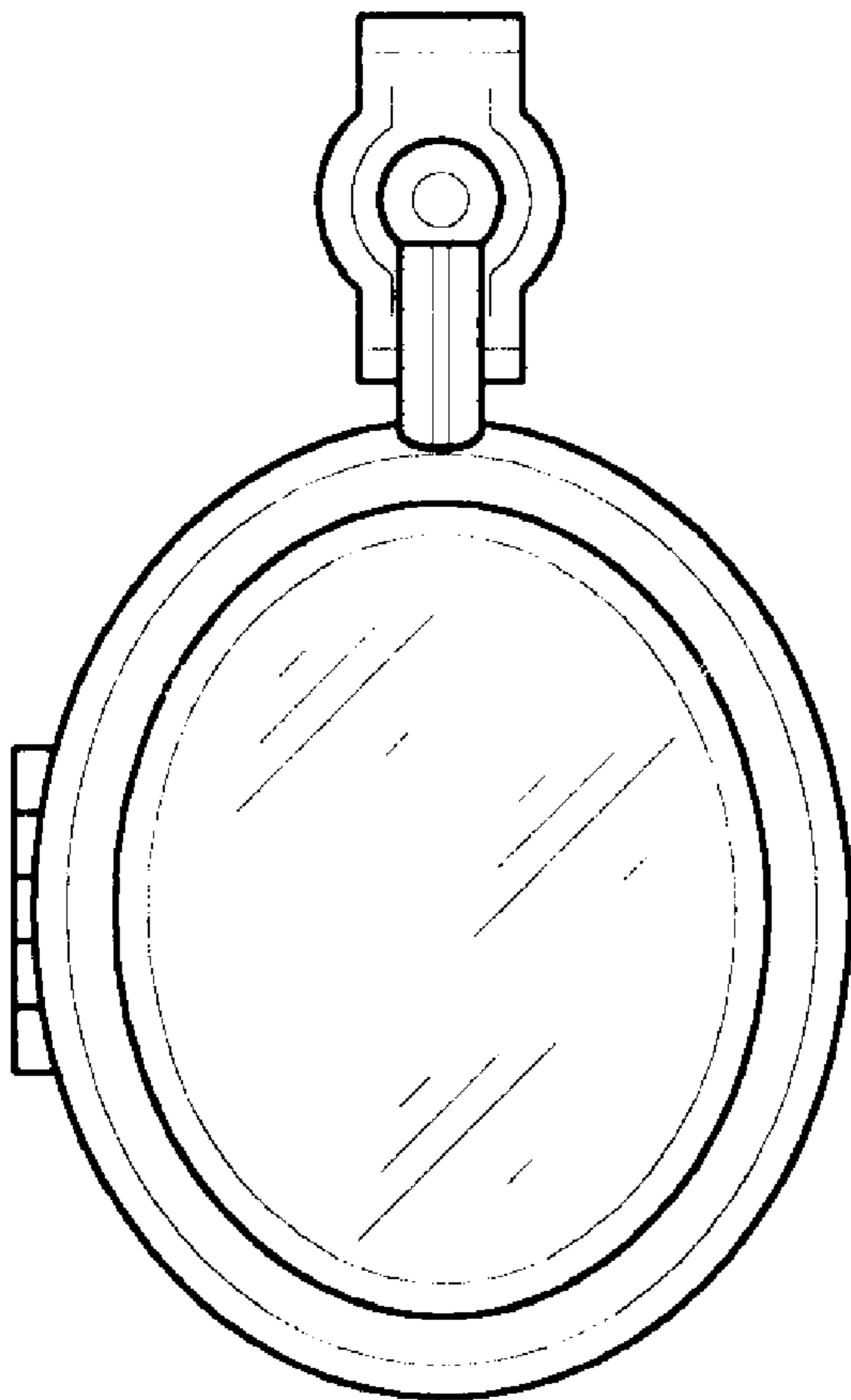
FIG. 3 is a right side view thereof;

FIG. 4 is a left side view thereof;

FIG. 5 is a top plan view thereof; and,

FIG. 6 is a bottom plan view thereof.

1 Claim, 3 Drawing Sheets



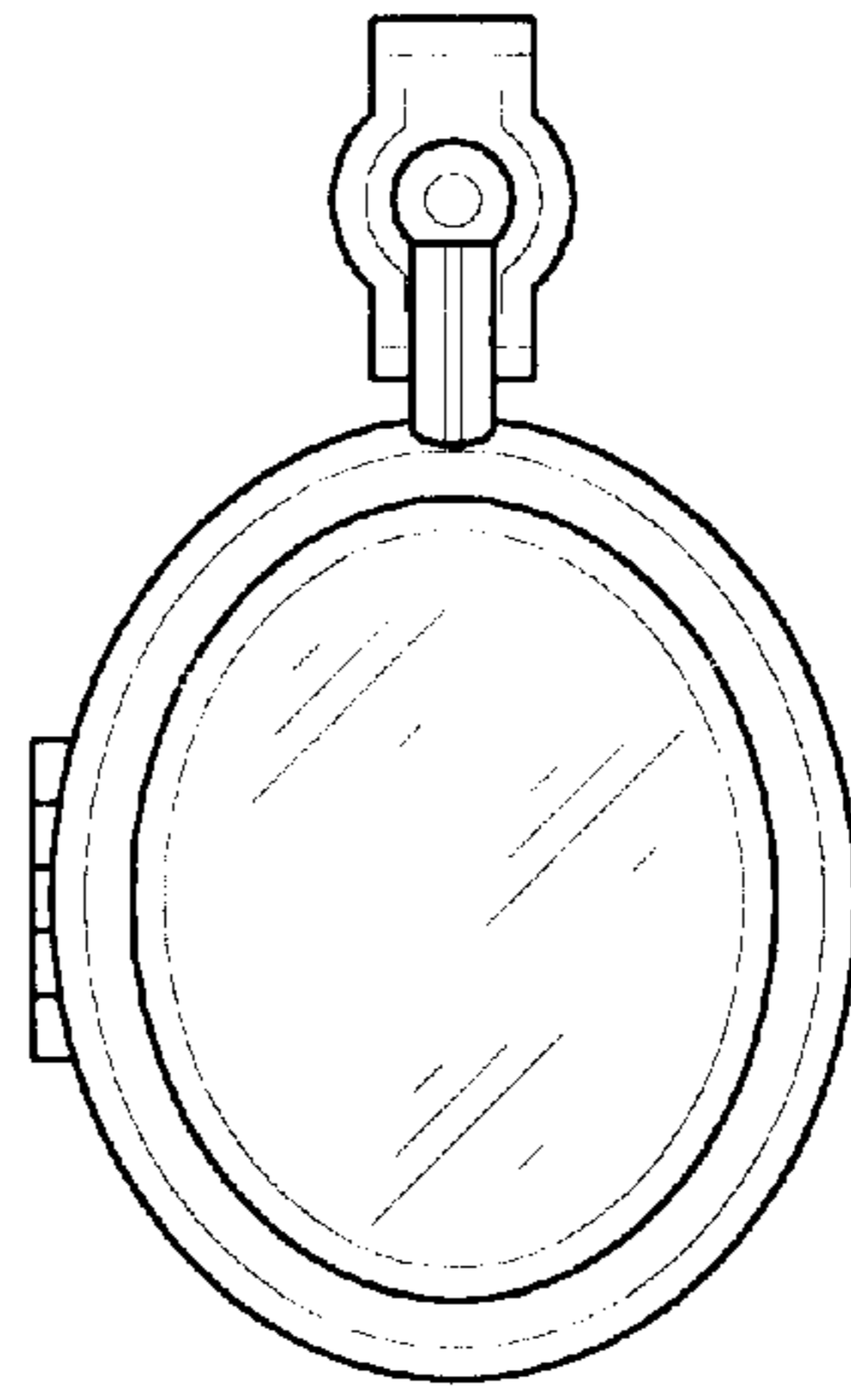


Fig. 1

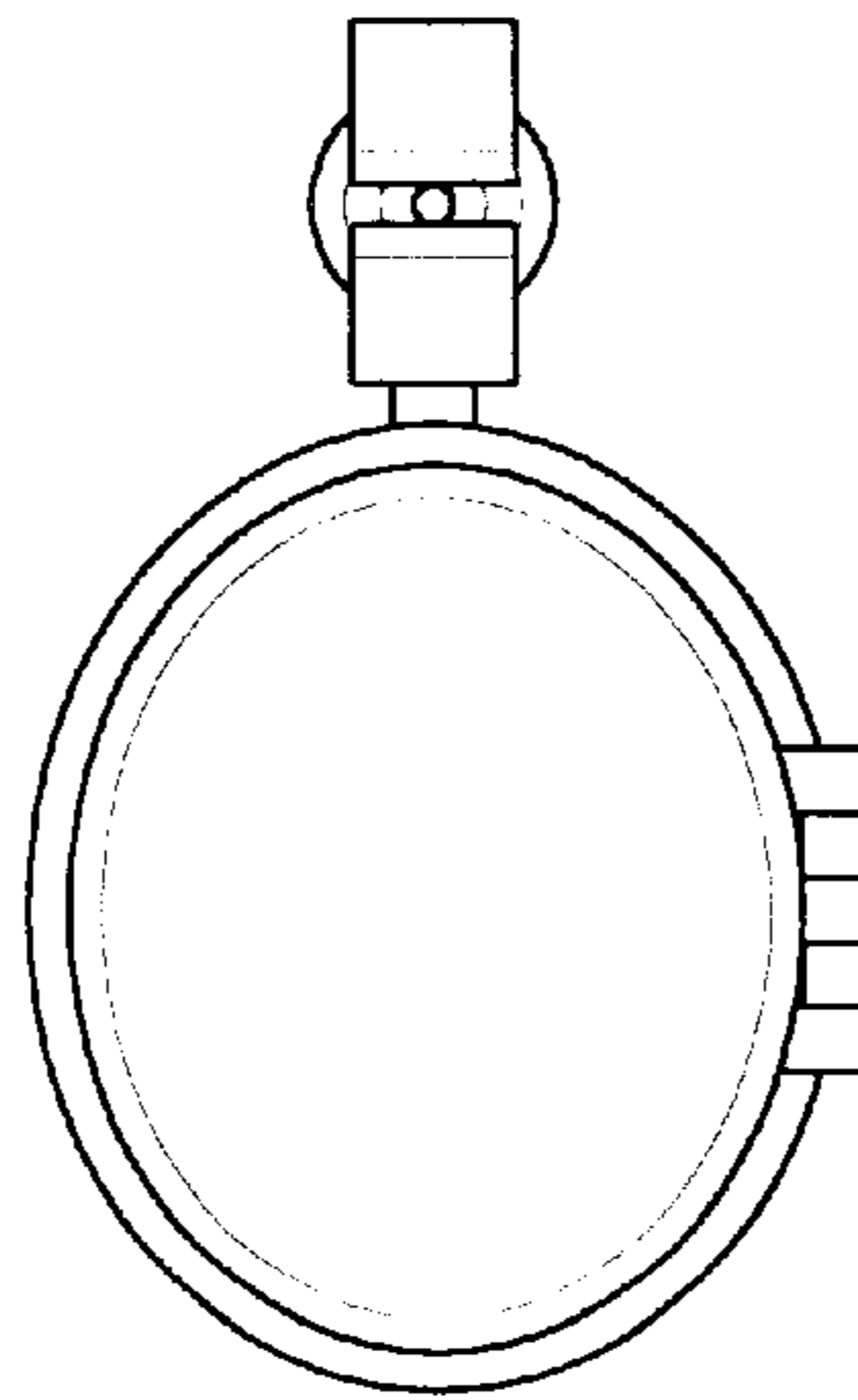


Fig. 2

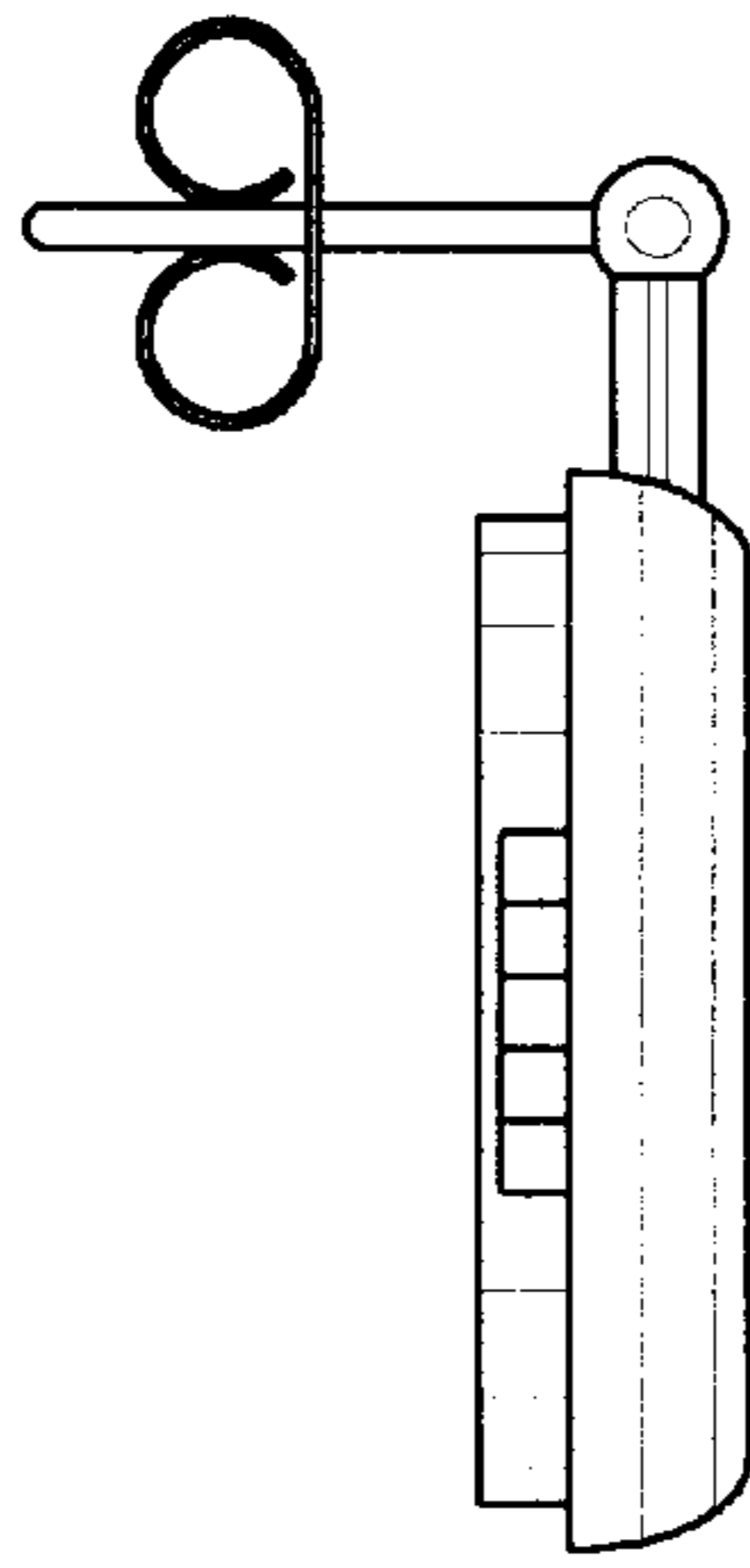


Fig. 3

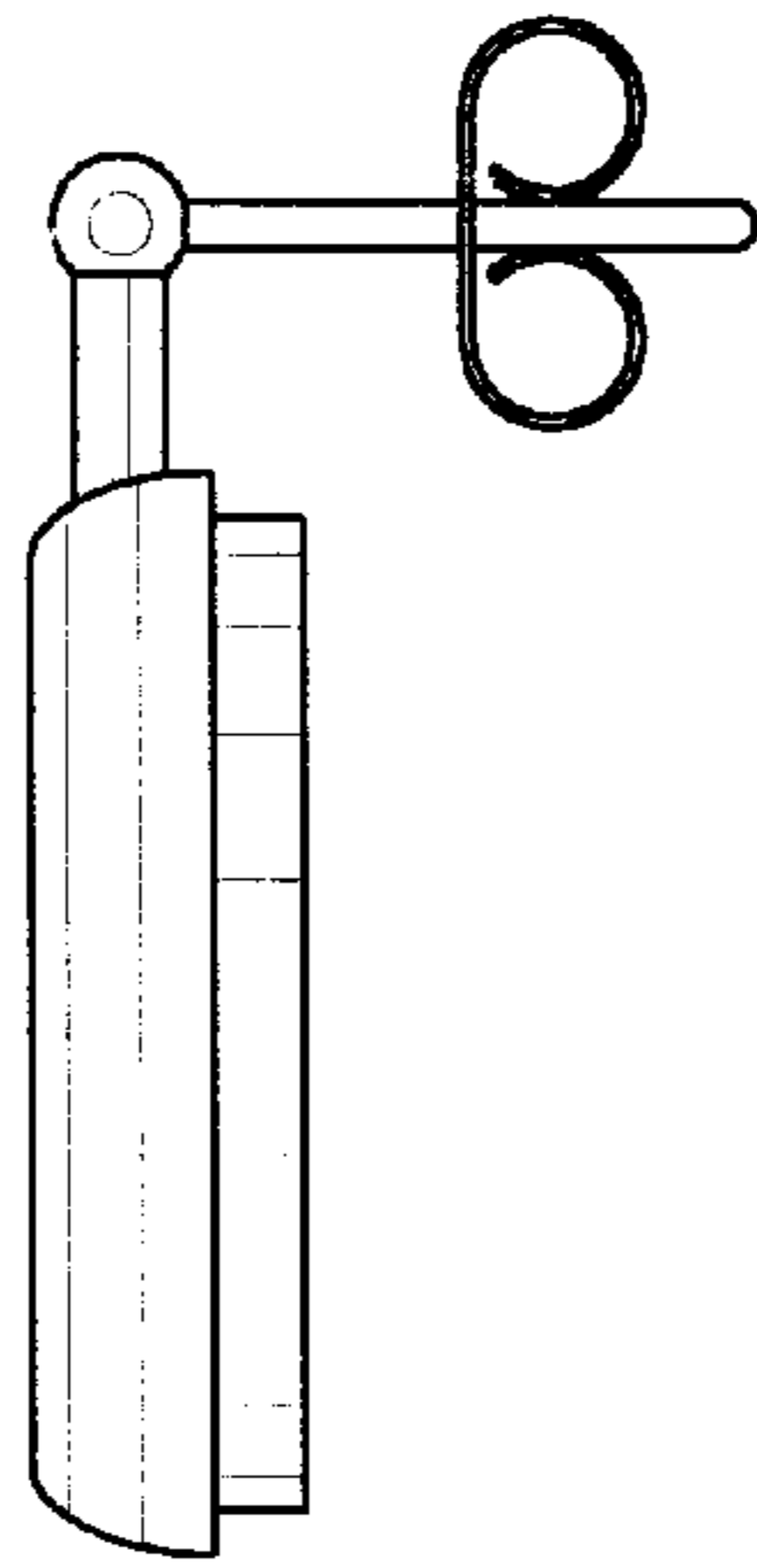


Fig. 4

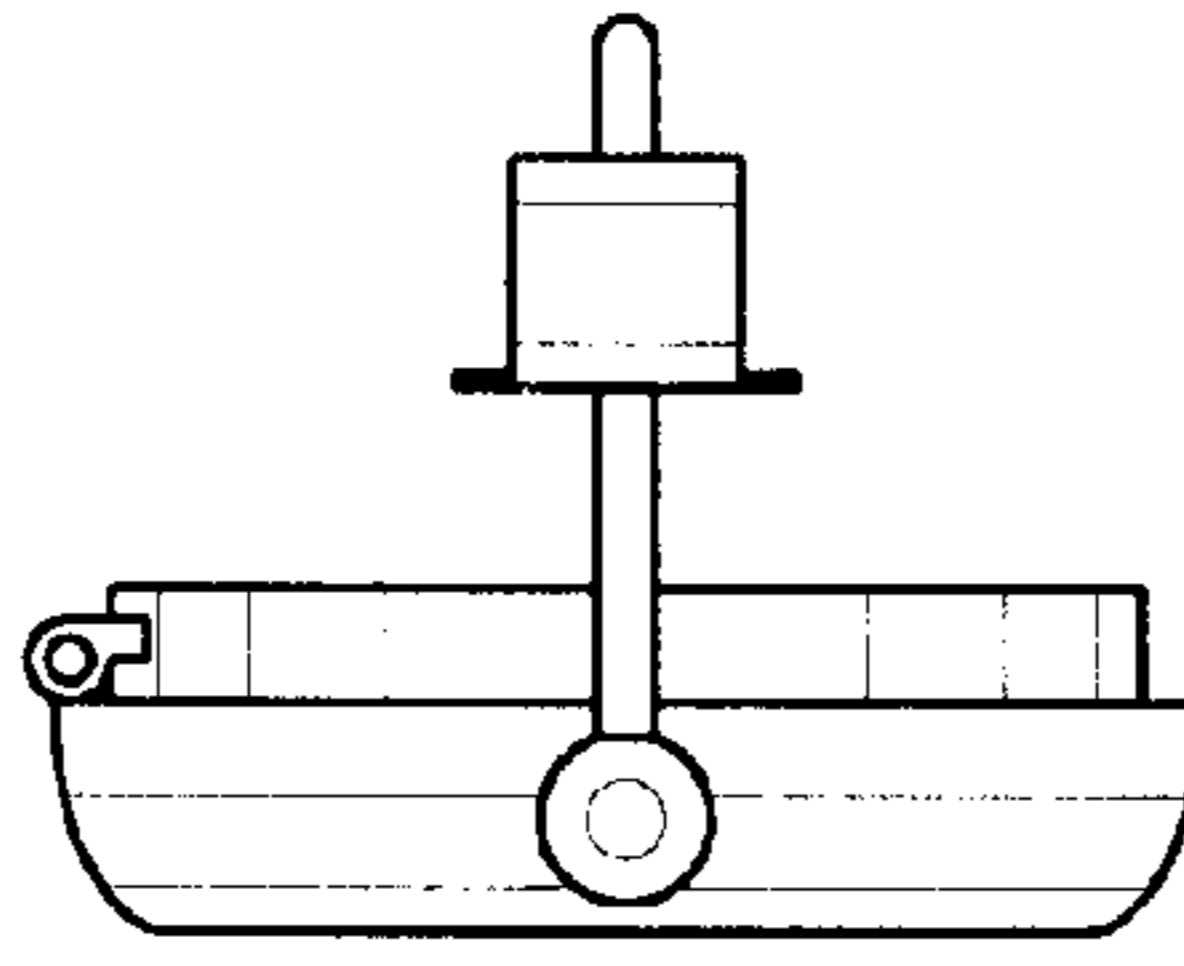


Fig. 5

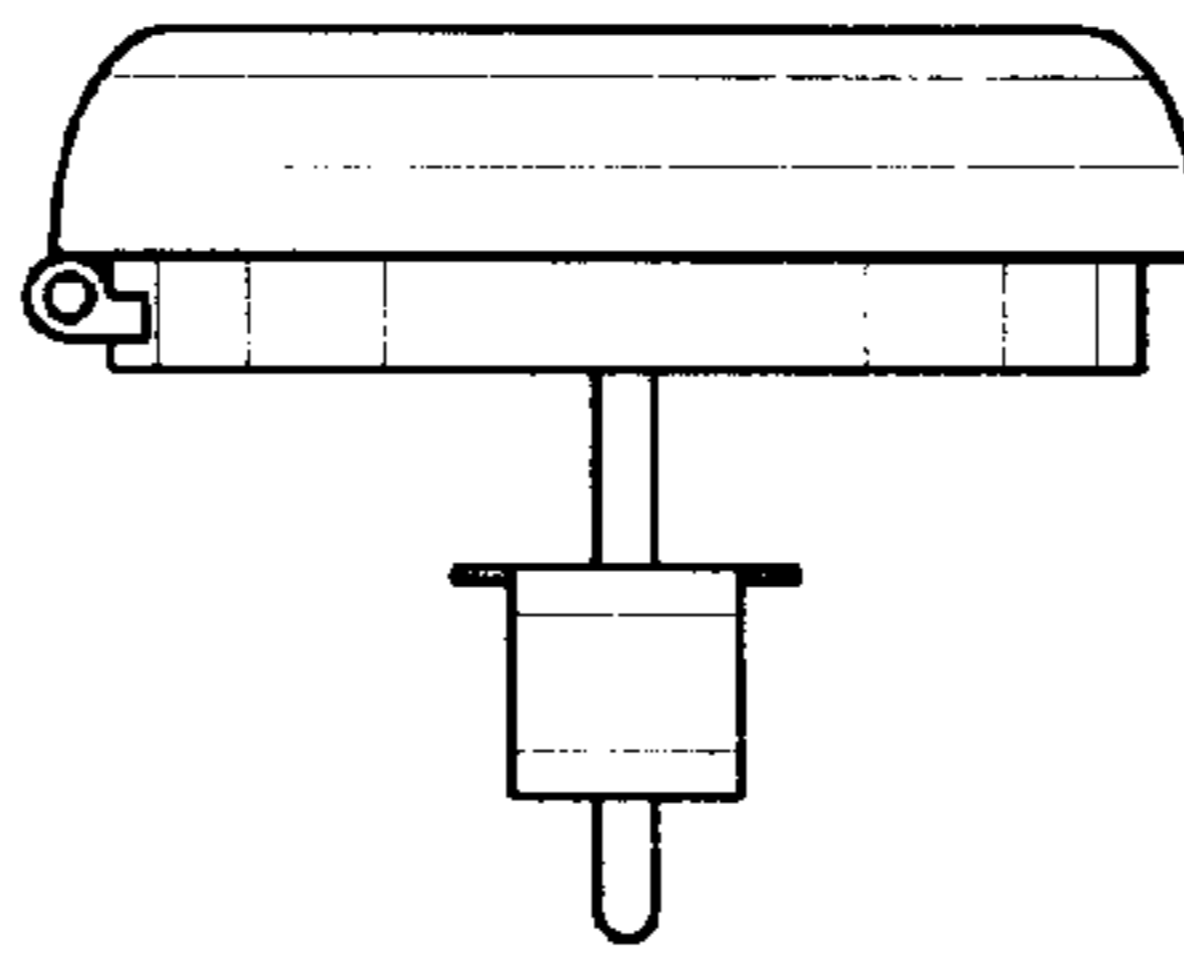


Fig. 6