



US00D413828S

# United States Patent [19]

Hogan et al.

[11] Patent Number: Des. 413,828

[45] Date of Patent: \*\* Sep. 14, 1999

[54] ELECTRONICALLY DETECTABLE TAG WITH CLAMP AND CLUTCH LOCKING MECHANISM

[75] Inventors: Dennis L. Hogan, Lighthouse Point; Edward J. DiCarlo, Boynton Beach; Robert A. Clucas, Pompano Beach; Sean F. Ryan, Boca Raton, all of Fla.

[73] Assignee: Sensormatic Electronics Corporation, Boca Raton, Fla.

[\*\*] Term: 14 Years

[21] Appl. No.: 29/098,172

[22] Filed: Dec. 21, 1998

[51] LOC (6) Cl. .... 10-05

[52] U.S. Cl. .... D10/104; D20/27

[58] Field of Search ..... 292/307 A; 40/299.01, 40/316, 666; D10/104, 106; D20/10, 22, 27; 340/572.1-572.8

### [56] References Cited

#### U.S. PATENT DOCUMENTS

- D. 343,368 1/1994 Witzky et al. .... 116/75
- D. 353,115 12/1994 Garner et al. .... D10/106
- D. 383,991 9/1997 Leyden et al. .... D10/104
- 5,140,836 8/1992 Hogan et al. .... 70/57.1

5,568,951 10/1996 Morgan ..... 292/307 A

Primary Examiner—Susan J. Lucas  
Assistant Examiner—Jennifer Rivard  
Attorney, Agent, or Firm—Rick F. Comoglio; Paul T. Kashimba

### [57] CLAIM

An ornamental design for an electronically detectable tag with clamp and clutch locking mechanism, as shown and described.

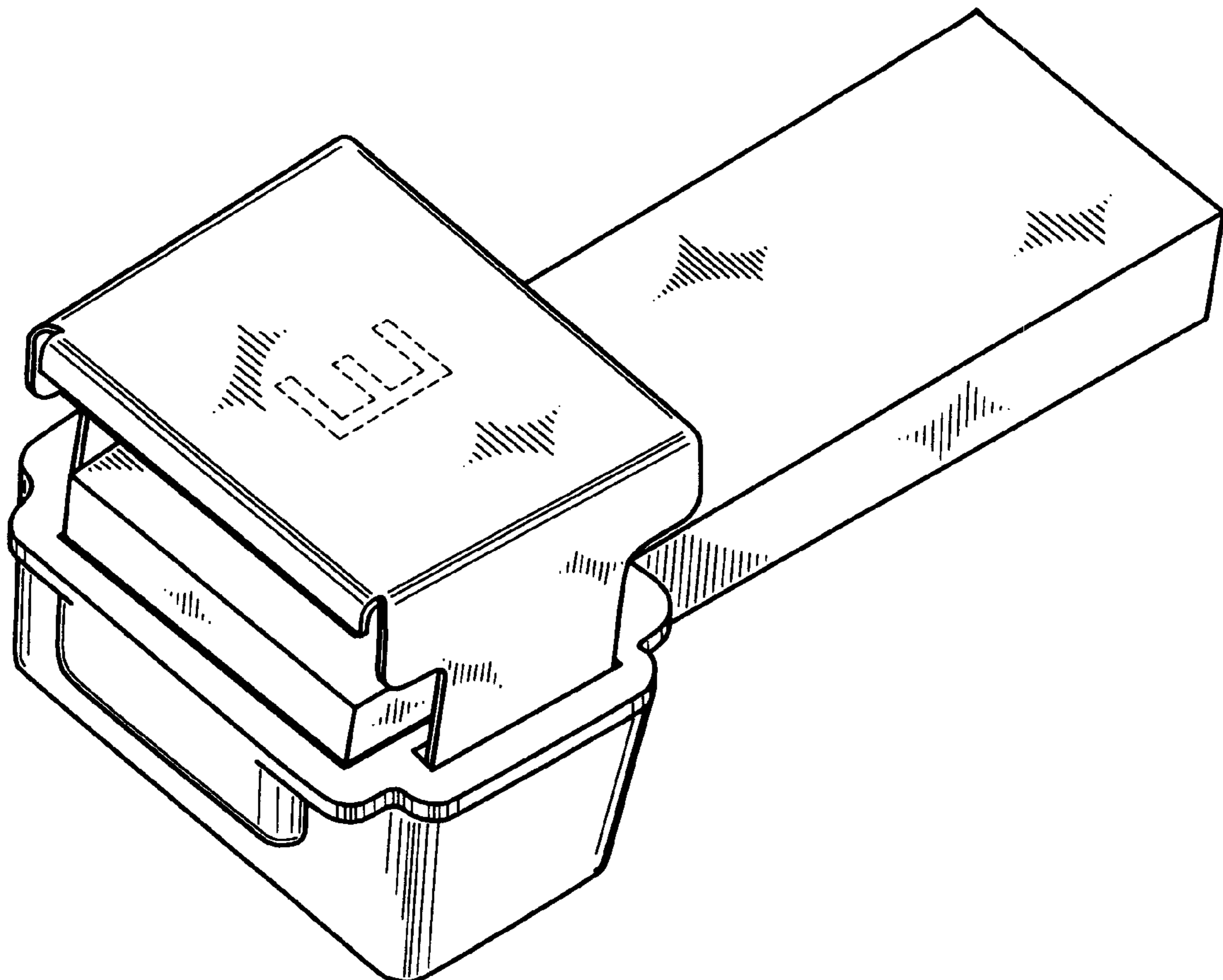
### DESCRIPTION

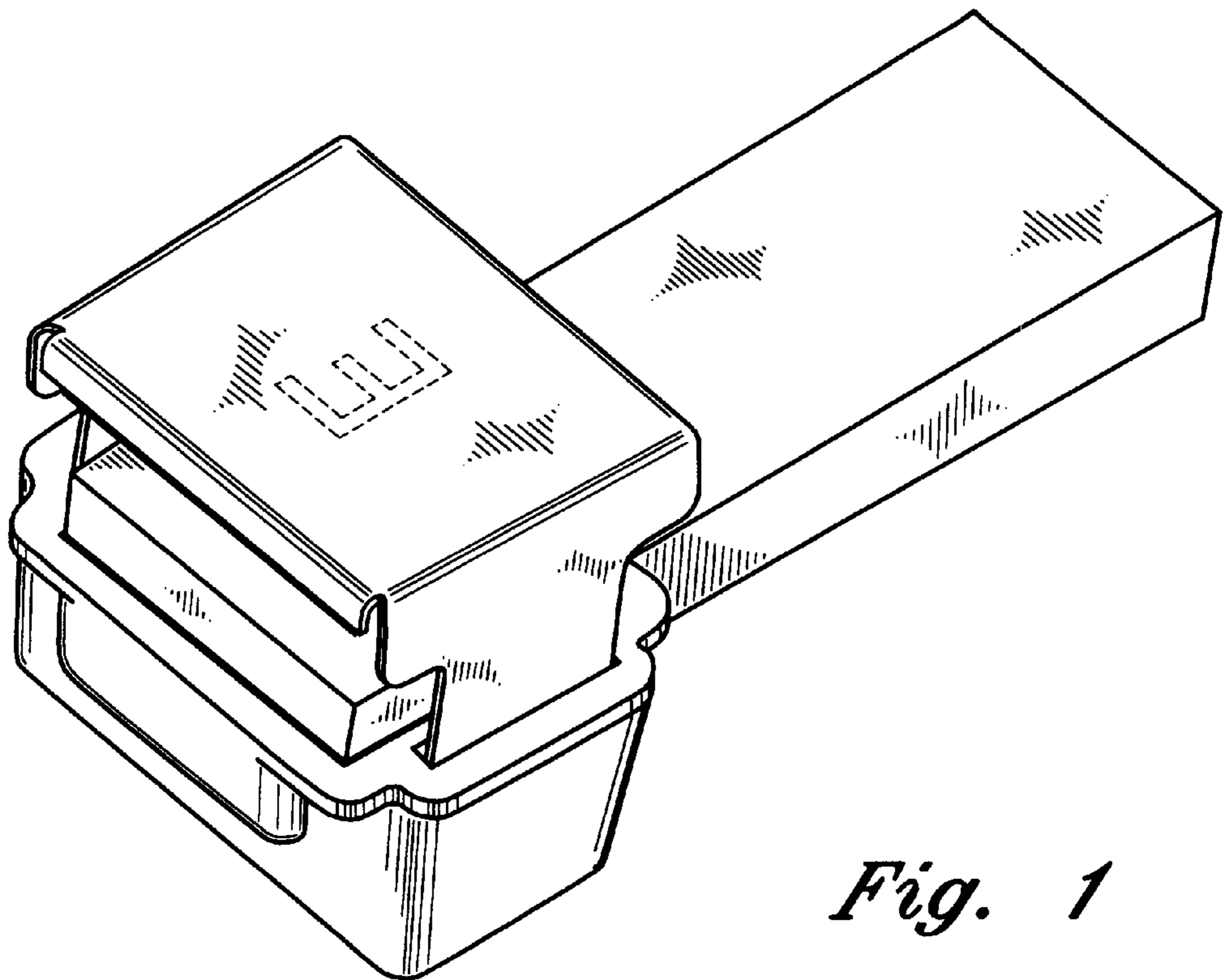
FIG. 1 is a top perspective view showing the new design; FIG. 2 is a top plan view thereof; FIG. 3 is a bottom plan view thereof; FIG. 4 is a right side elevational view thereof; FIG. 5 is a left side elevational view thereof; FIG. 6 is a front elevational view thereof; and, FIG. 7 is a rear elevational view thereof.

The surface indicia illustrated by broken lines in FIGS. 1, 2, 8, and 11 do not form part of the ornamental design, and are merely exemplary of surface indicia that can be applied.

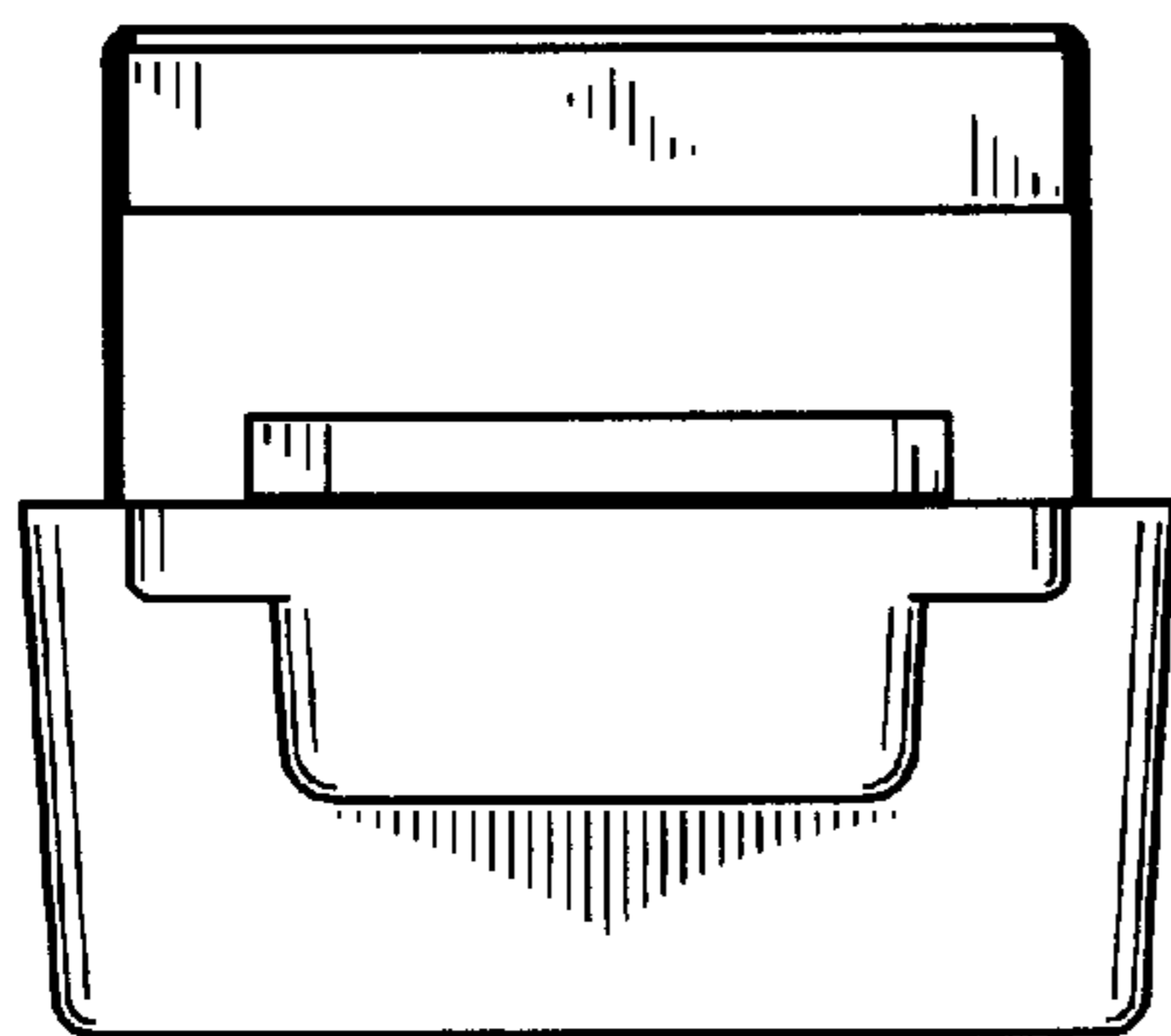
In use, the electronically detectable tag with clamp and clutch locking mechanism is attached to articles such as eyeglasses, jewelry, watches, and other articles, to electronically protect and/or identify the article.

1 Claim, 2 Drawing Sheets

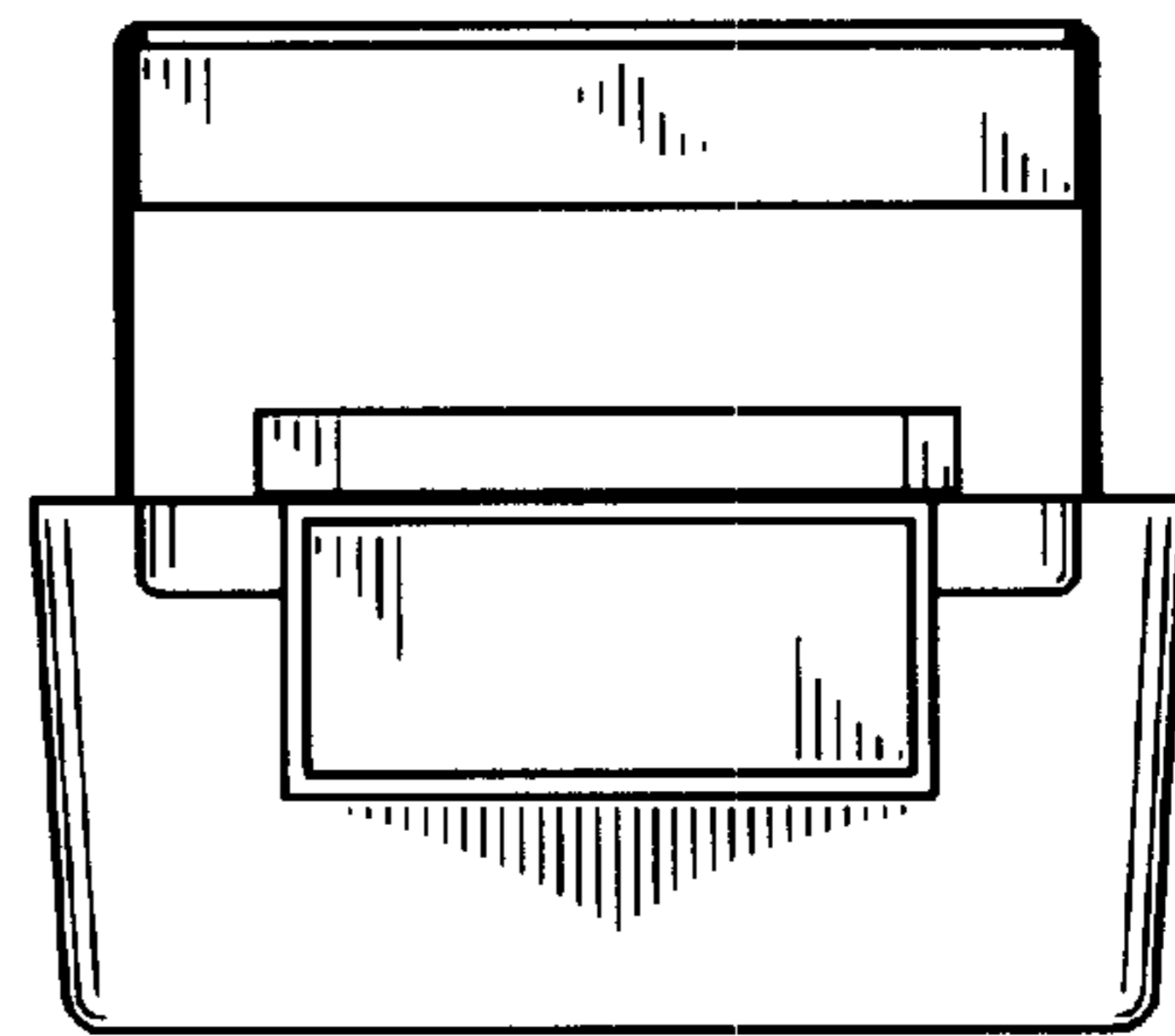




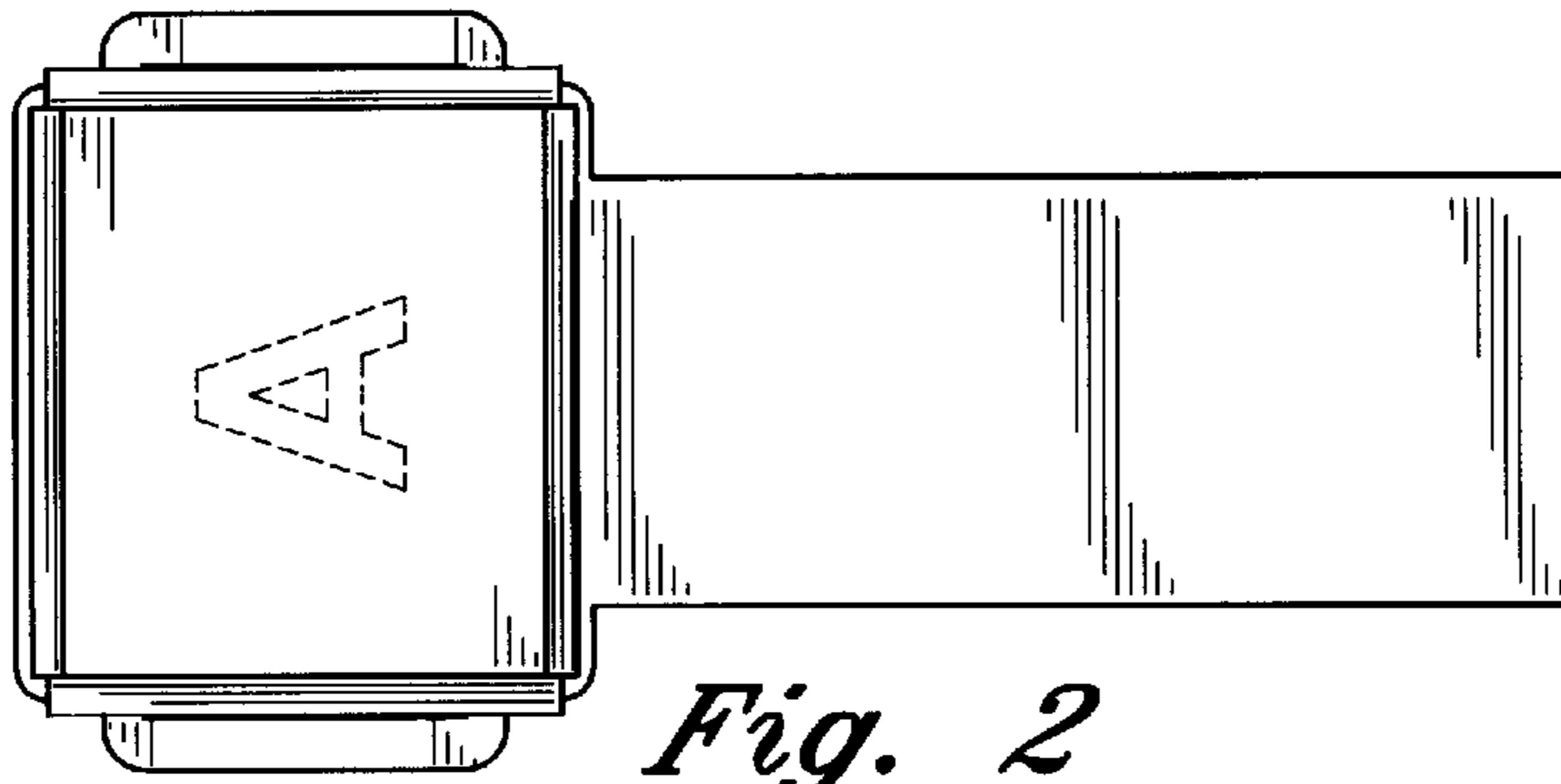
*Fig. 1*



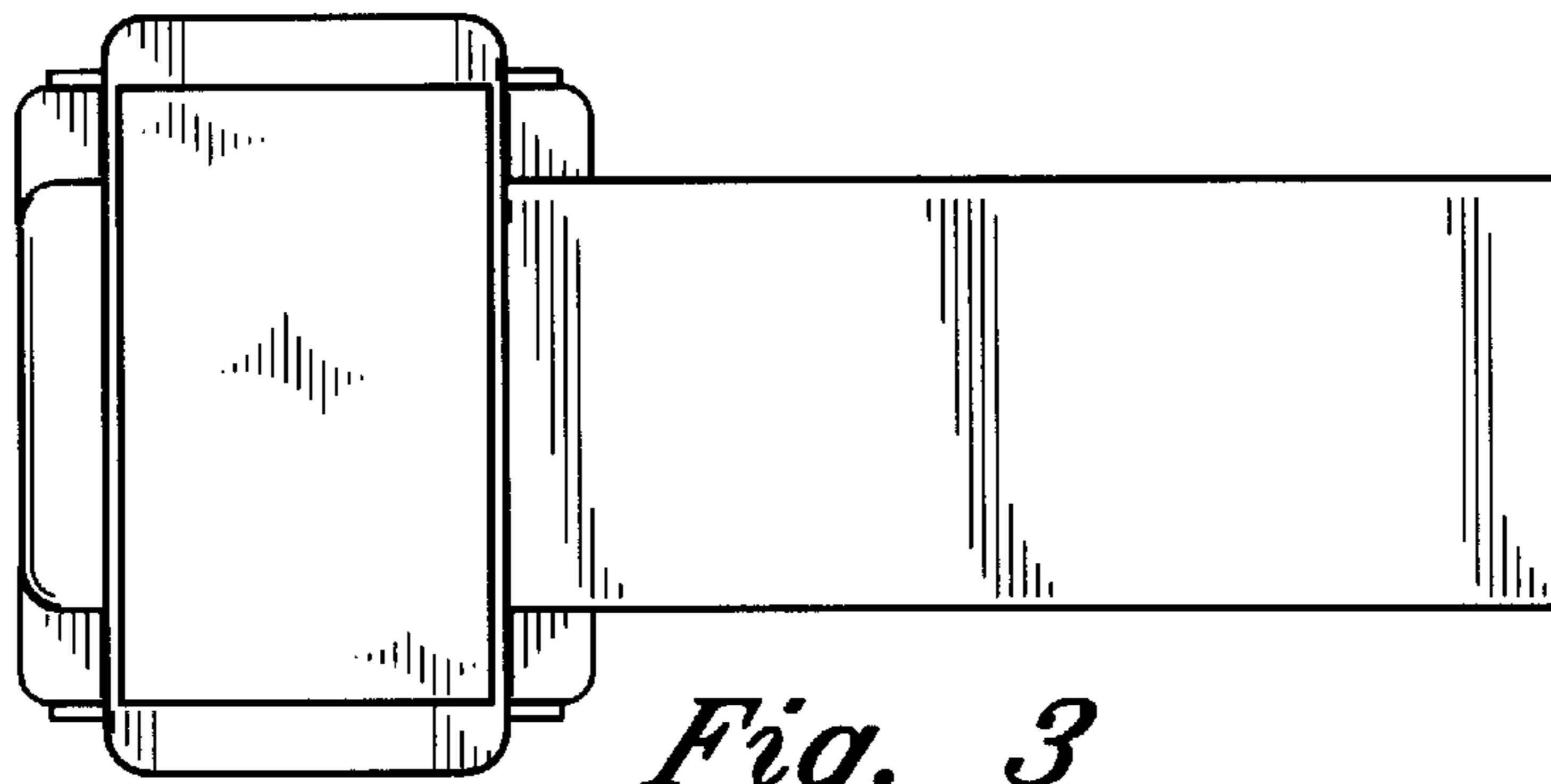
*Fig. 6*



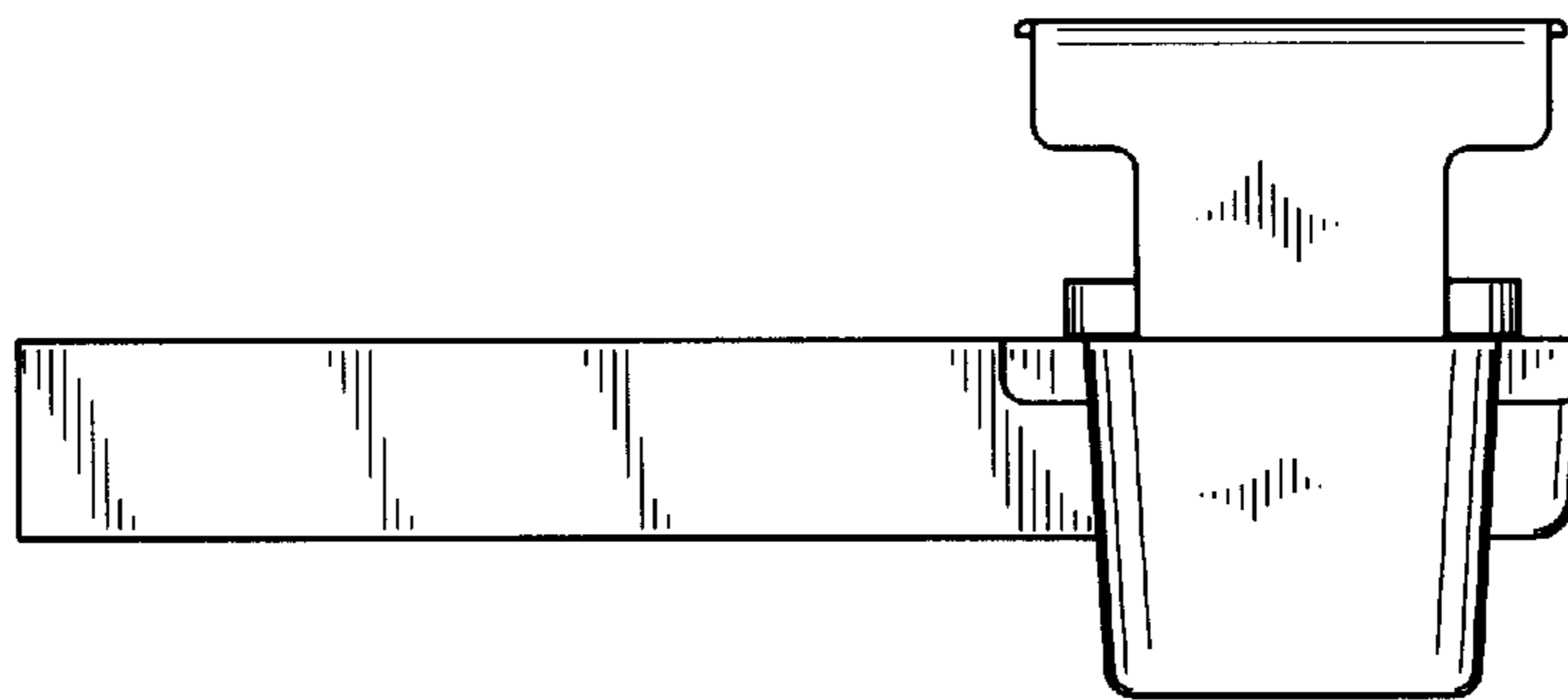
*Fig. 7*



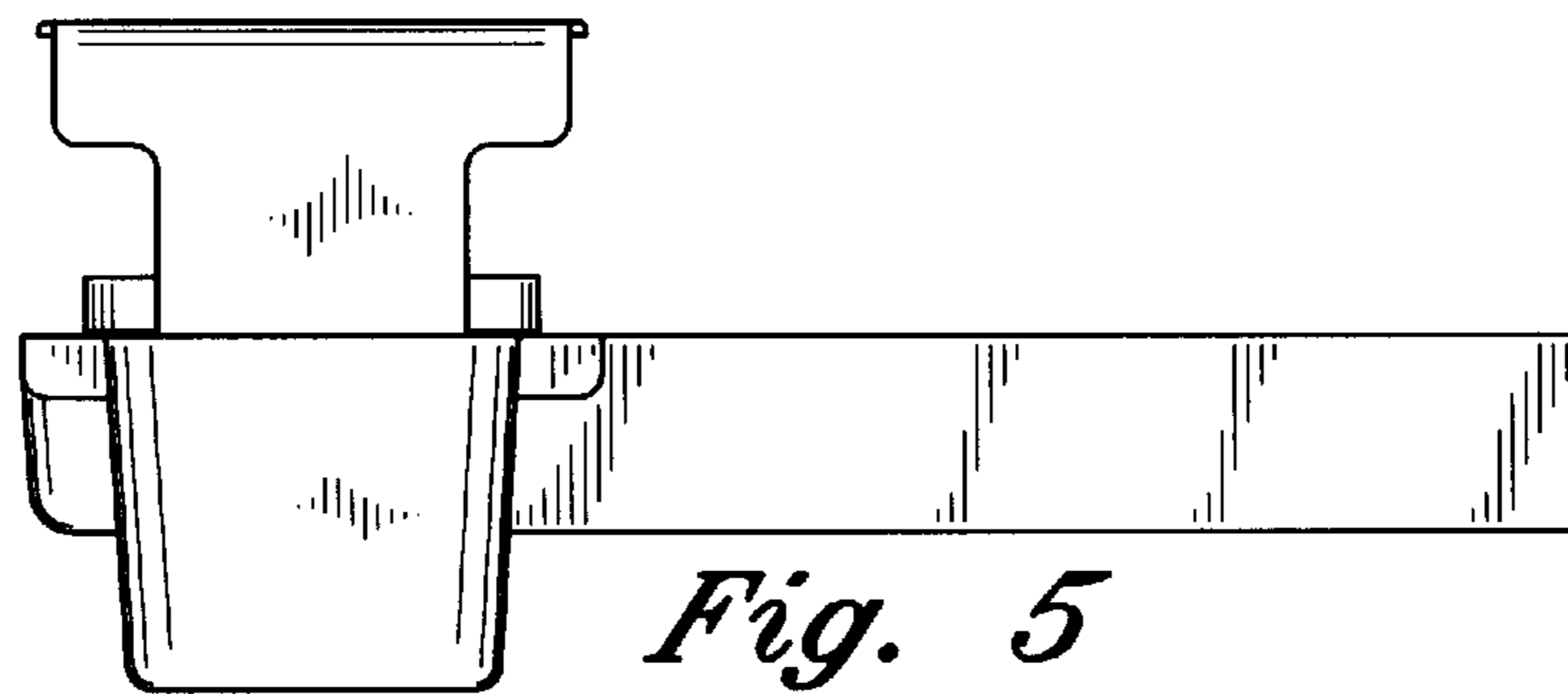
*Fig. 2*



*Fig. 3*



*Fig. 4*



*Fig. 5*