



US00D413826S

United States Patent [19]

Housey et al.

[11] Patent Number: Des. 413,826

[45] Date of Patent: ** Sep. 14, 1999

[54] LIQUID LEVEL GAUGE

[75] Inventors: Randal L. Housey; Will Pattison, both of Austin, Tex.

[73] Assignee: Rochester Gauges, Inc., Dallas, Tex.

[**] Term: 14 Years

[21] Appl. No.: 29/092,346

[22] Filed: Aug. 17, 1998

[51] LOC (6) Cl. 10-04

[52] U.S. Cl. D10/101

[58] Field of Search D10/101, 96; 73/290 R, 73/305, 313, 317, 318; 116/204, 284, 56-62.4, 227, 264, 266, 271, DIG. 71, DIG. 20

[56] References Cited

U.S. PATENT DOCUMENTS

D. 313,949	1/1991	Fekete	D10/101
D. 350,297	9/1994	Weisel	D10/103
D. 387,295	12/1997	Krikorian	D10/101
D. 397,630	9/1998	Clifton	D10/101
1,603,239	10/1926	Gregory	D10/101
2,697,350	12/1954	Sorber	73/317
2,992,560	7/1961	Morgan et al.	73/317
3,688,795	9/1972	Taylor	137/558
4,688,028	8/1987	Conn	340/625
4,911,011	3/1990	Fekete et al.	73/313
4,987,400	1/1991	Fekete	338/164
5,072,618	12/1991	Taylor et al.	73/317
5,152,170	10/1992	Liu	73/317
5,311,776	5/1994	Morris	73/306
5,357,815	10/1994	Williamson	73/866.3

OTHER PUBLICATIONS

Rochester Gauges, Inc., Magnetic Liquid-Level Gauges for LP-Gas Service, 7200 Series, Technical Data Sheet, 2 pages.
Rochester Gauges, Inc., Magnetic Liquid-Level Gauges for LP-Gas Service, 7300 Series, Technical Data Sheet, 2 pages.
Rochester Gauges, Inc., The "One" Gauge™ Adjustable Liquid-Level Gauge, 49S Series, Technical Data Sheet, 2 pages.

Rochester Gauges, Inc., Industrial Liquid Level Gauges, Specifications Brochure, 12 pages (undated).

Primary Examiner—Antoine Duval Davis
Attorney, Agent, or Firm—Sidley & Austin

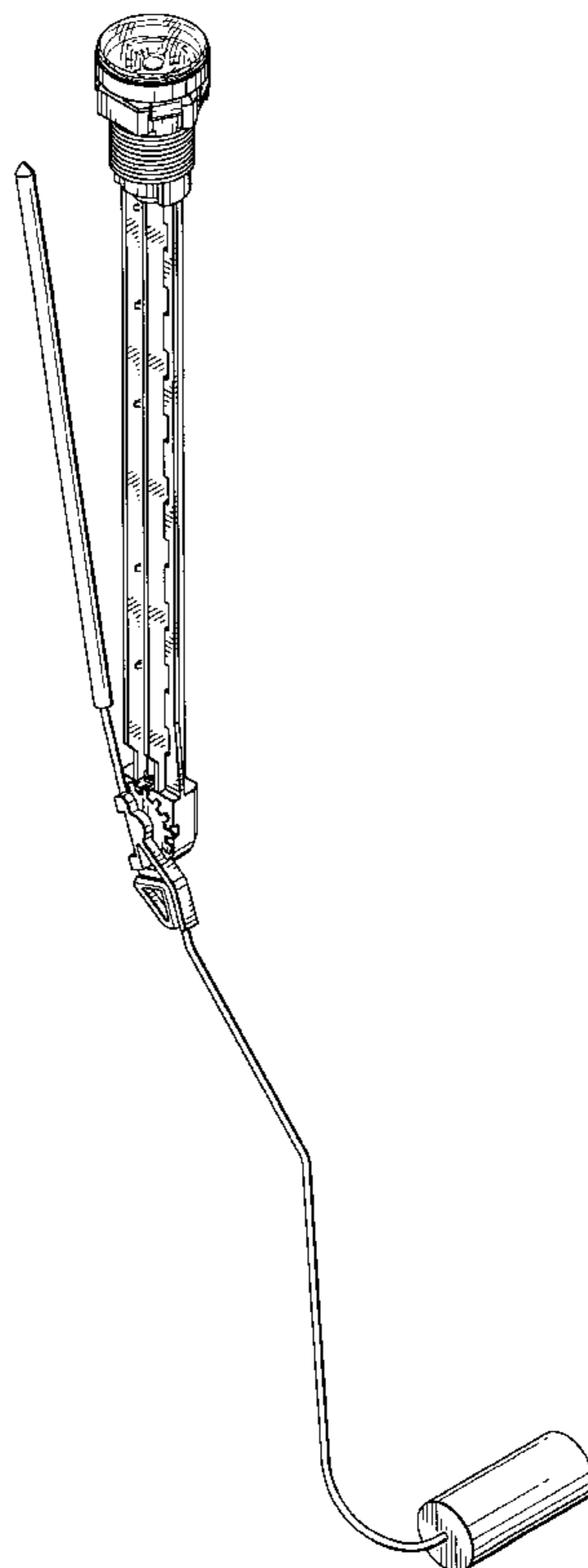
[57] CLAIM

The ornamental design for a liquid level gauge, as shown and described.

DESCRIPTION

FIG. 1 is a perspective view of the liquid level gauge; FIG. 2 is a front view thereof; FIG. 3 is a right side view thereof; FIG. 4 is a back view thereof; FIG. 5 is a left side view thereof; FIG. 6 is a top view thereof; FIG. 7 is a bottom view thereof; and, FIG. 8 is an enlarged partial perspective view showing the dial portion exploded from the head portion. The particular angular position of the pivotable float arm with respect to the support arm in the above drawing figures is for illustrative purposes only and forms no part of the claimed design.

1 Claim, 4 Drawing Sheets



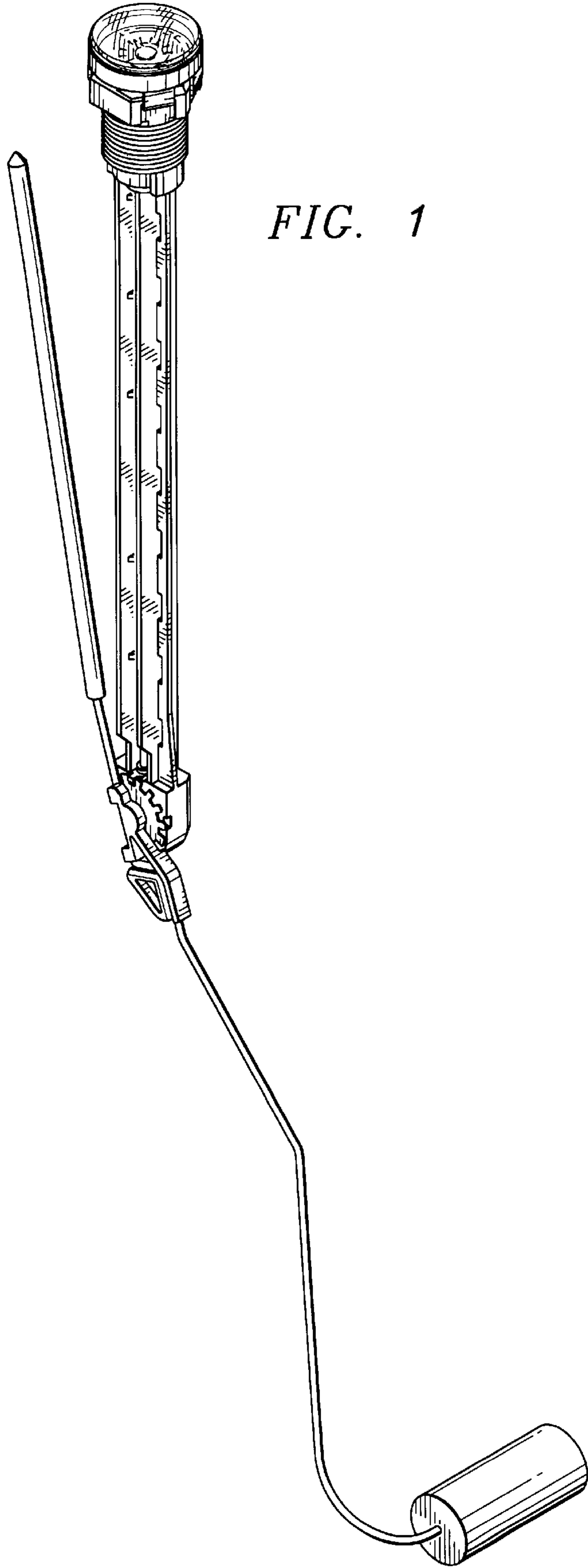
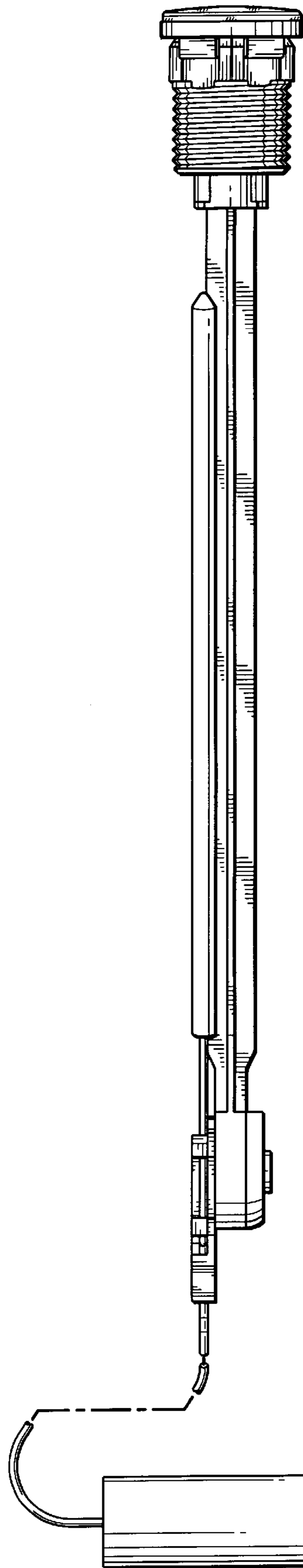
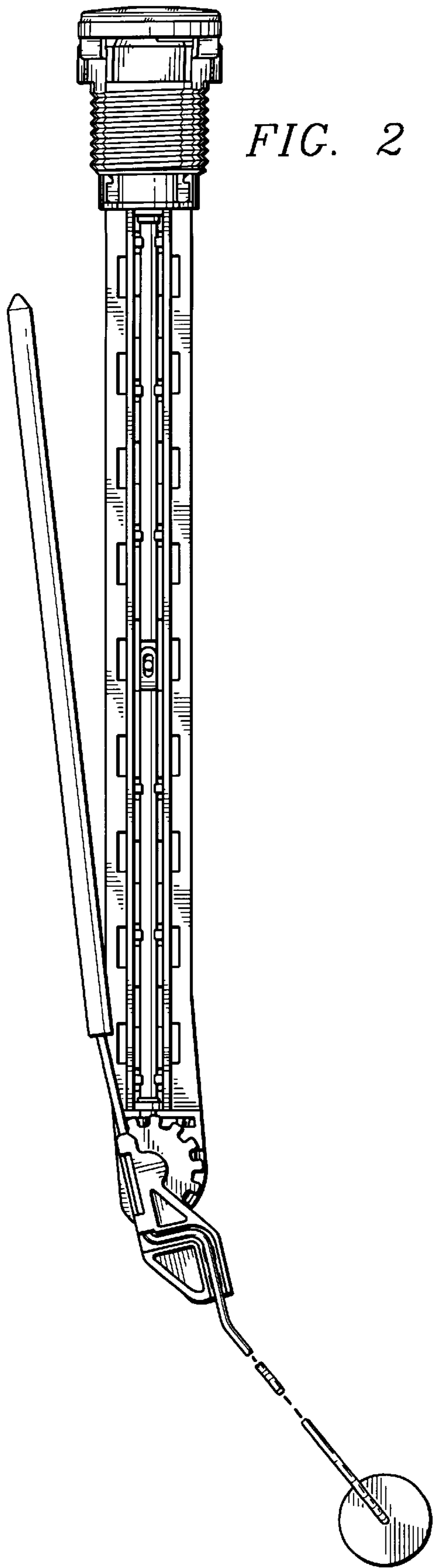


FIG. 1



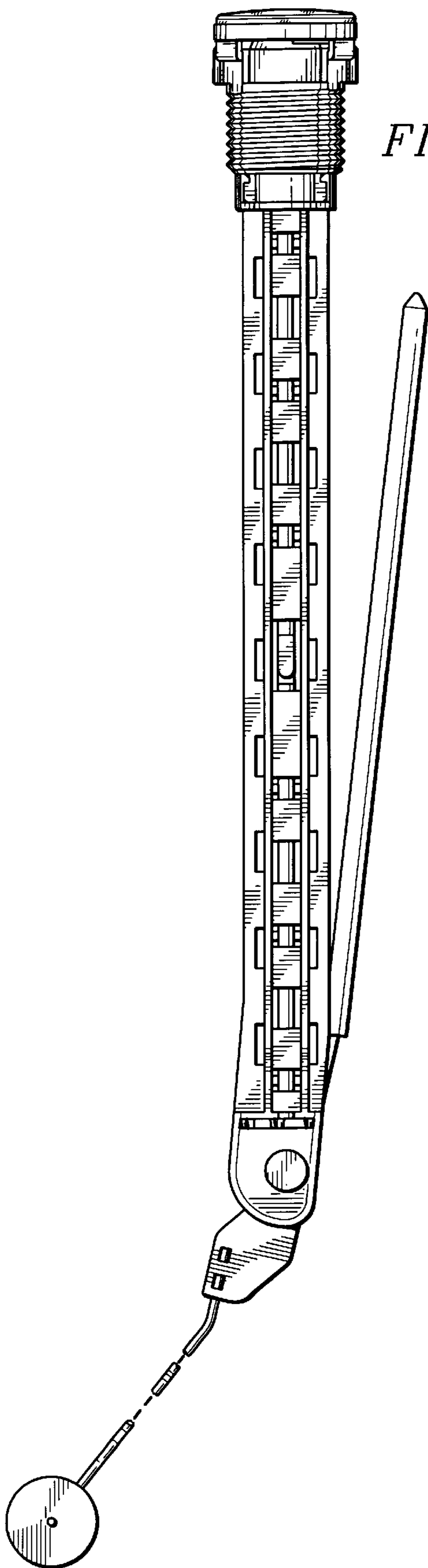


FIG. 4

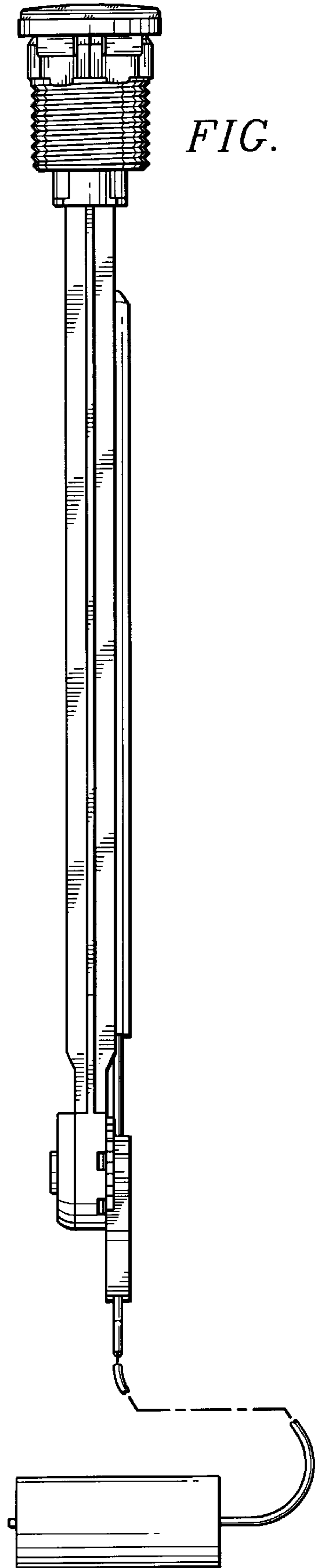


FIG. 5

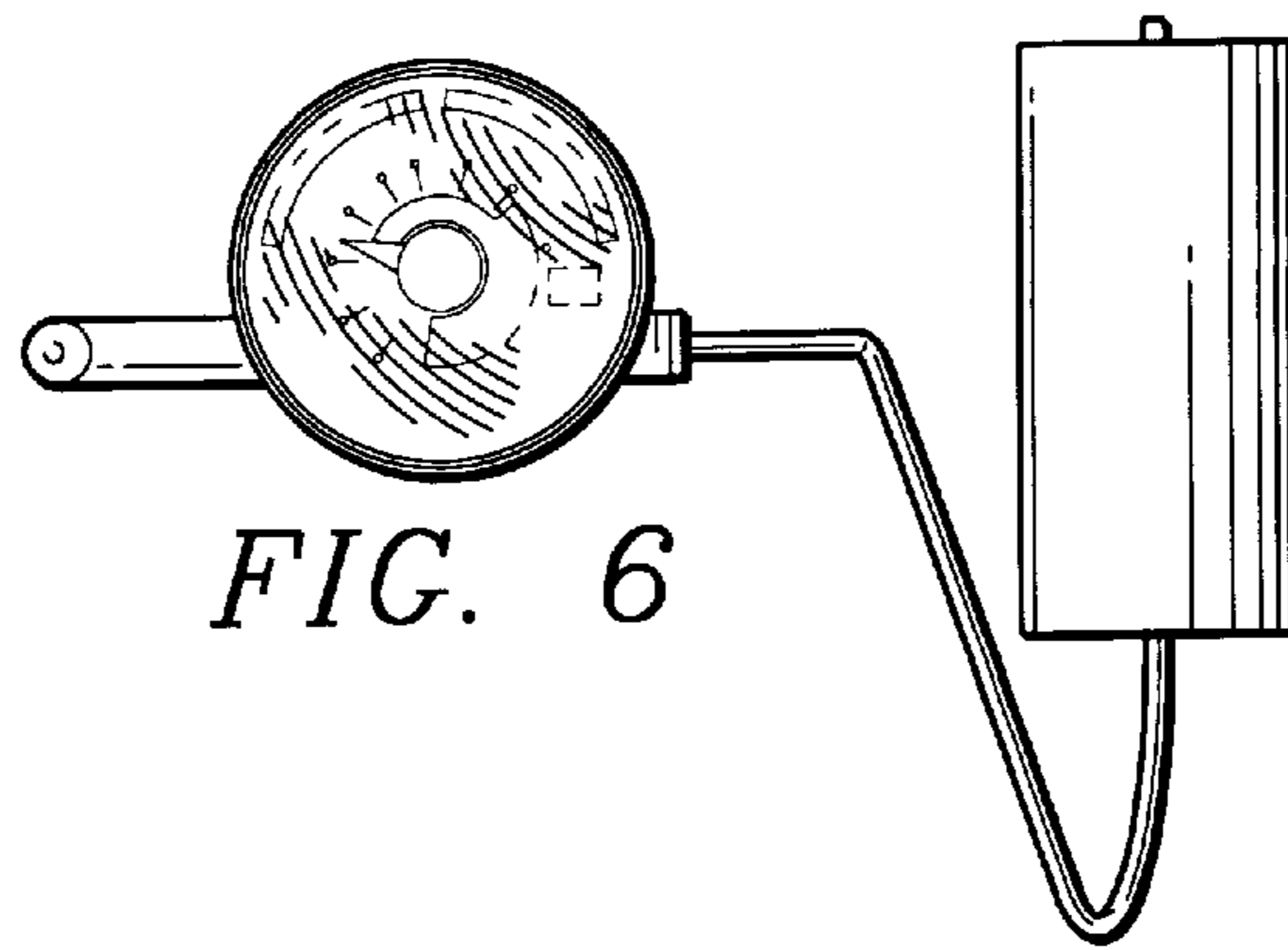


FIG. 6

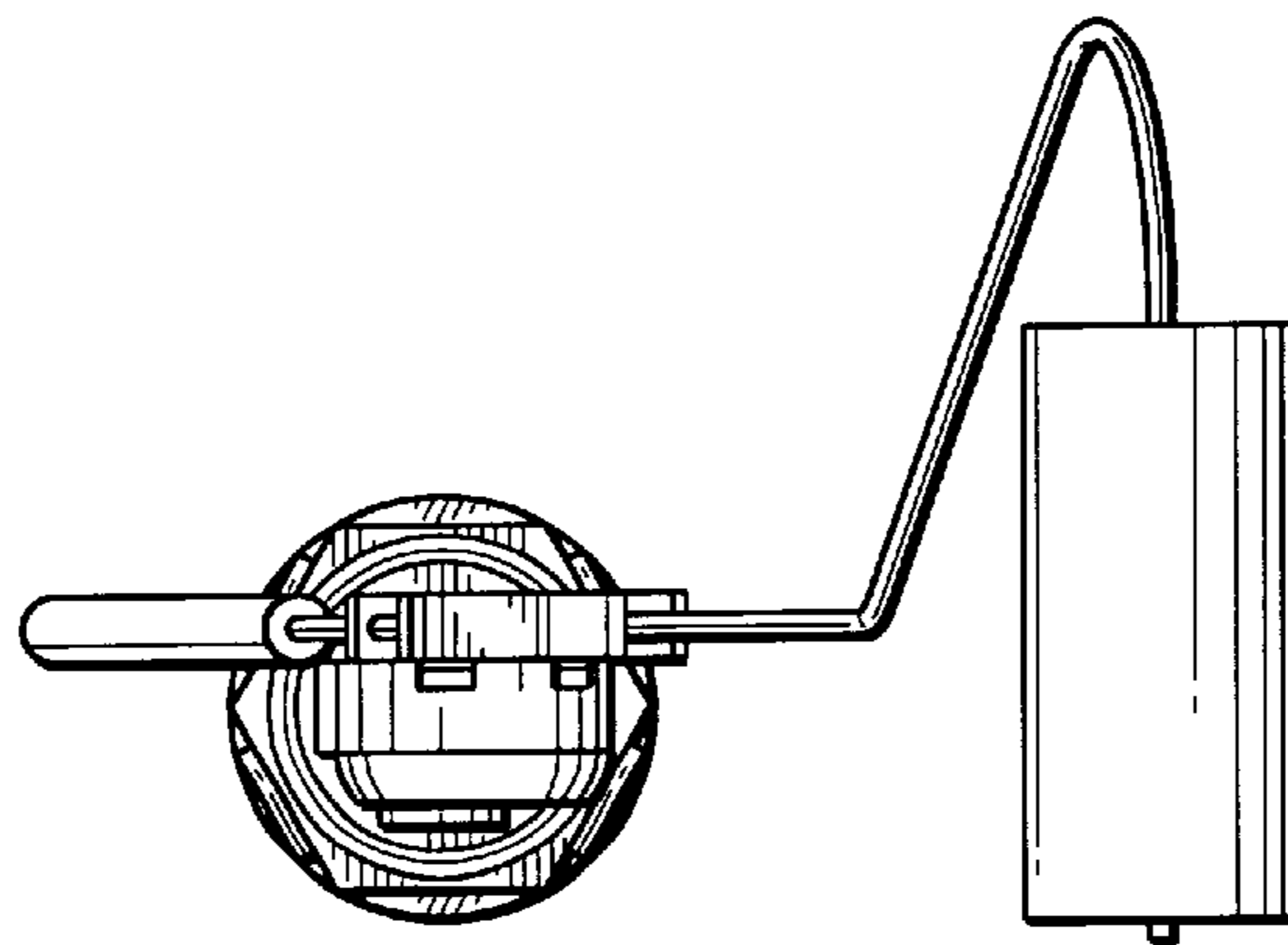


FIG. 7

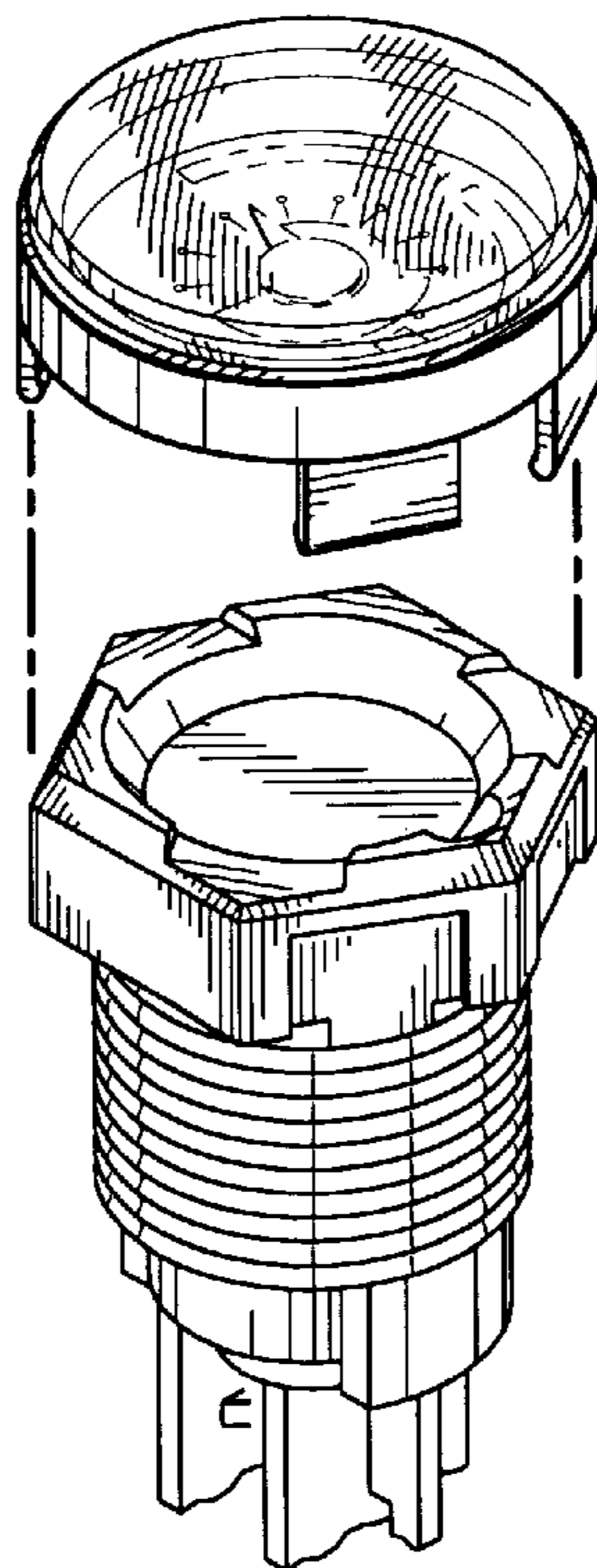


FIG. 8