



US00D413823S

United States Patent [19]

Dobyns et al.

[11] **Patent Number: Des. 413,823**

[45] **Date of Patent: ** Sep. 14, 1999**

[54] **ELECTRONIC TEST AND MEASUREMENT INSTRUMENT**

D. 377,319 1/1997 Amano et al. D10/75
4,972,138 11/1990 Bush 324/121 R

[75] Inventors: **Kenneth P. Dobyns**, Beaverton;
William R. Pooley, Aloha; **Scott Ketterer**, Hillsboro, all of Oreg.

Primary Examiner—Antoine Duval Davis
Attorney, Agent, or Firm—Thomas F. Lenihan

[73] Assignee: **Tektronix, Inc.**, Wilsonville, Oreg.

[57] **CLAIM**

[**] Term: **14 Years**

The ornamental design for an electronic test and measurement instrument, as shown and described.

[21] Appl. No.: **29/091,418**

DESCRIPTION

[22] Filed: **Jul. 28, 1998**

[51] **LOC (6) Cl.** **10-04**

[52] **U.S. Cl.** **D10/76**

[58] **Field of Search** D10/76; 345/352;
324/102, 112, 121 R; 340/721-723, 734,
747, 798; 364/487

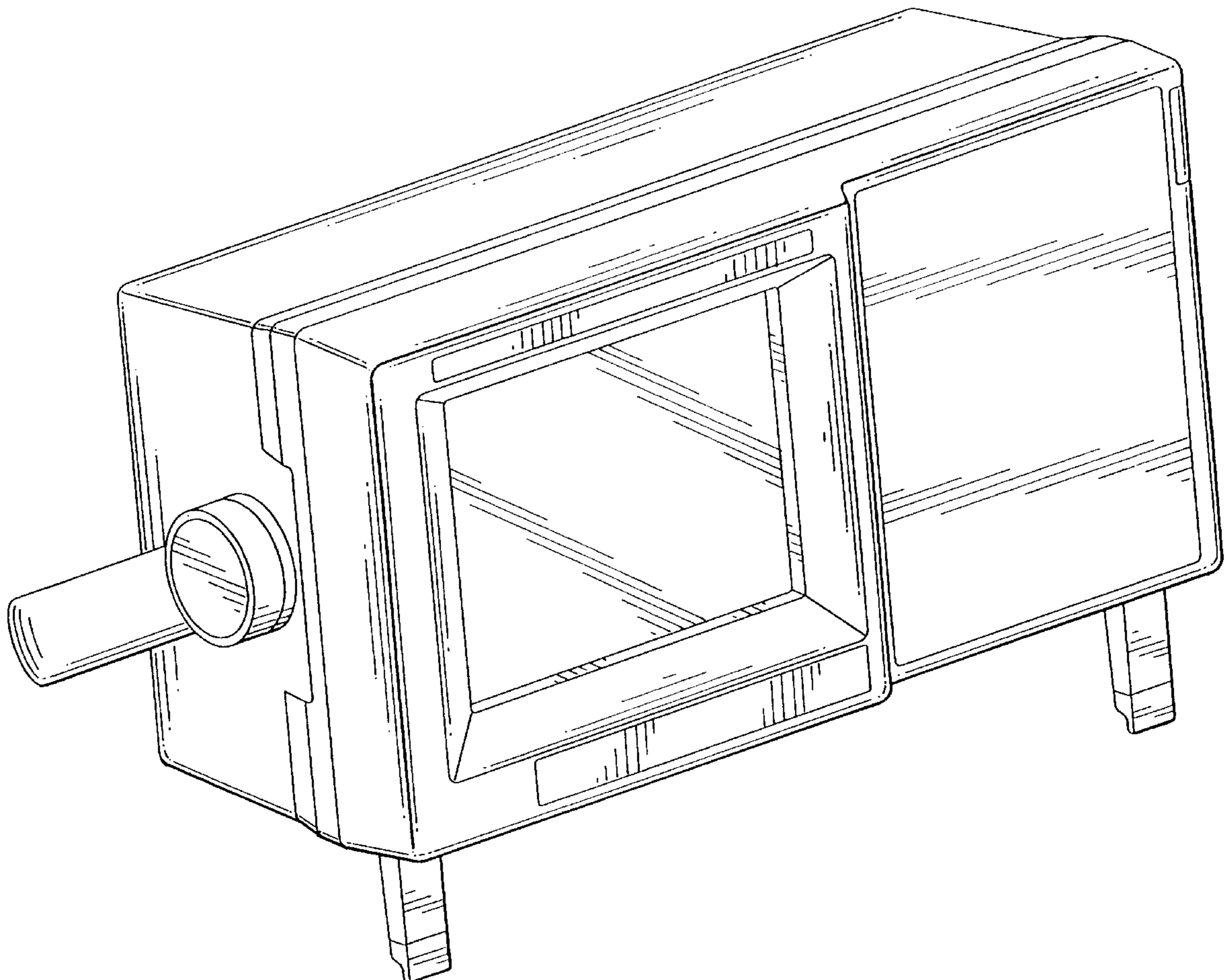
FIG. 1 is a perspective view of the electronic test and measurement instrument showing our new design; FIG. 2 is a front elevation view of the instrument showing in dotted lines an example of front panel knobs and buttons which may be used with the subject design; FIG. 3 is a right side elevation view of the instrument; FIG. 4 is a left side elevation view of the instrument; FIG. 5 is a top end elevation view of the instrument; FIG. 6 is a bottom end elevation view of the instrument; FIG. 7 is a back elevation view of the instrument; and, FIG. 8 is a front elevation view of the instrument.

[56] **References Cited**

U.S. PATENT DOCUMENTS

D. 335,093 4/1993 Holmen et al. D10/76

1 Claim, 7 Drawing Sheets



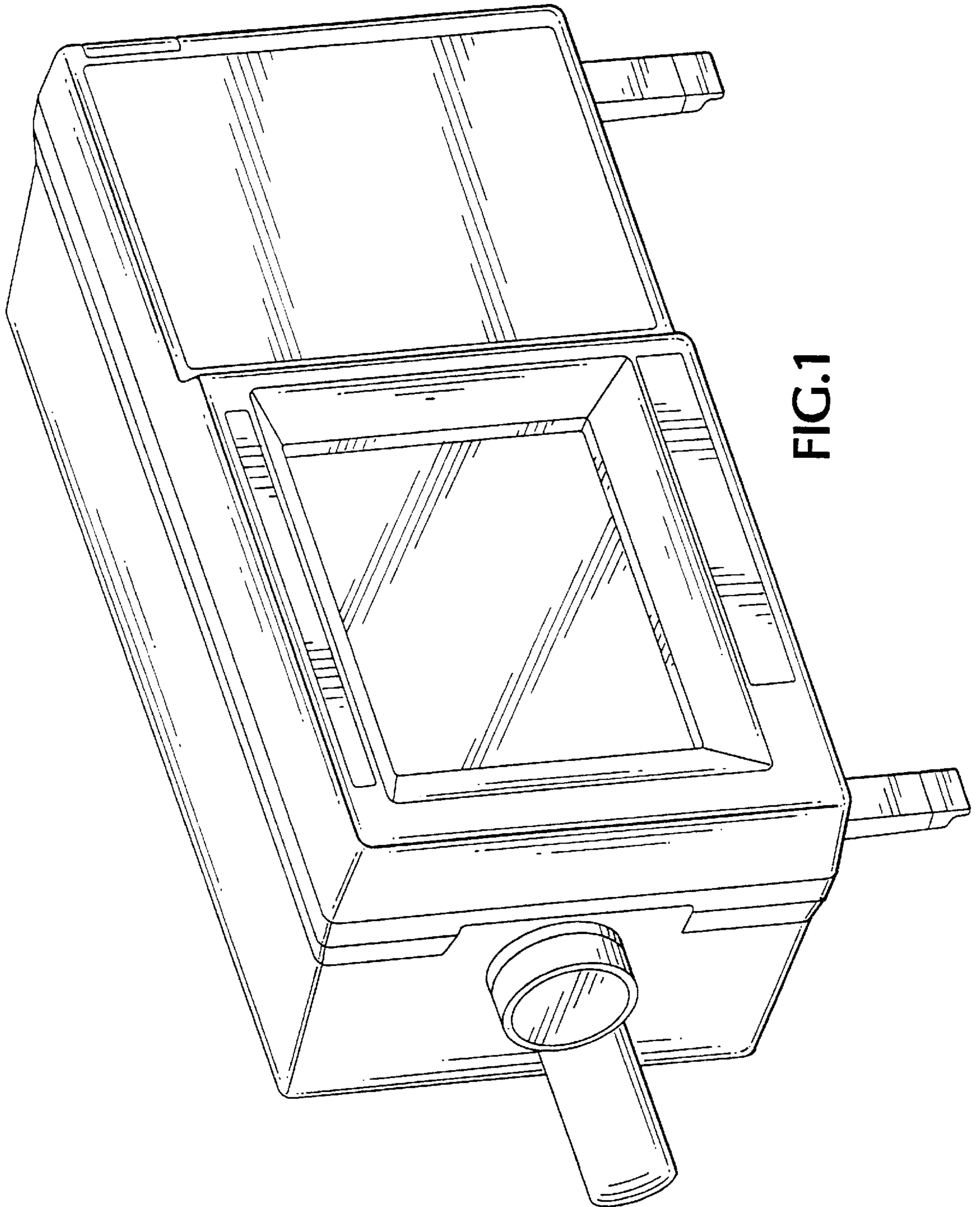


FIG.1

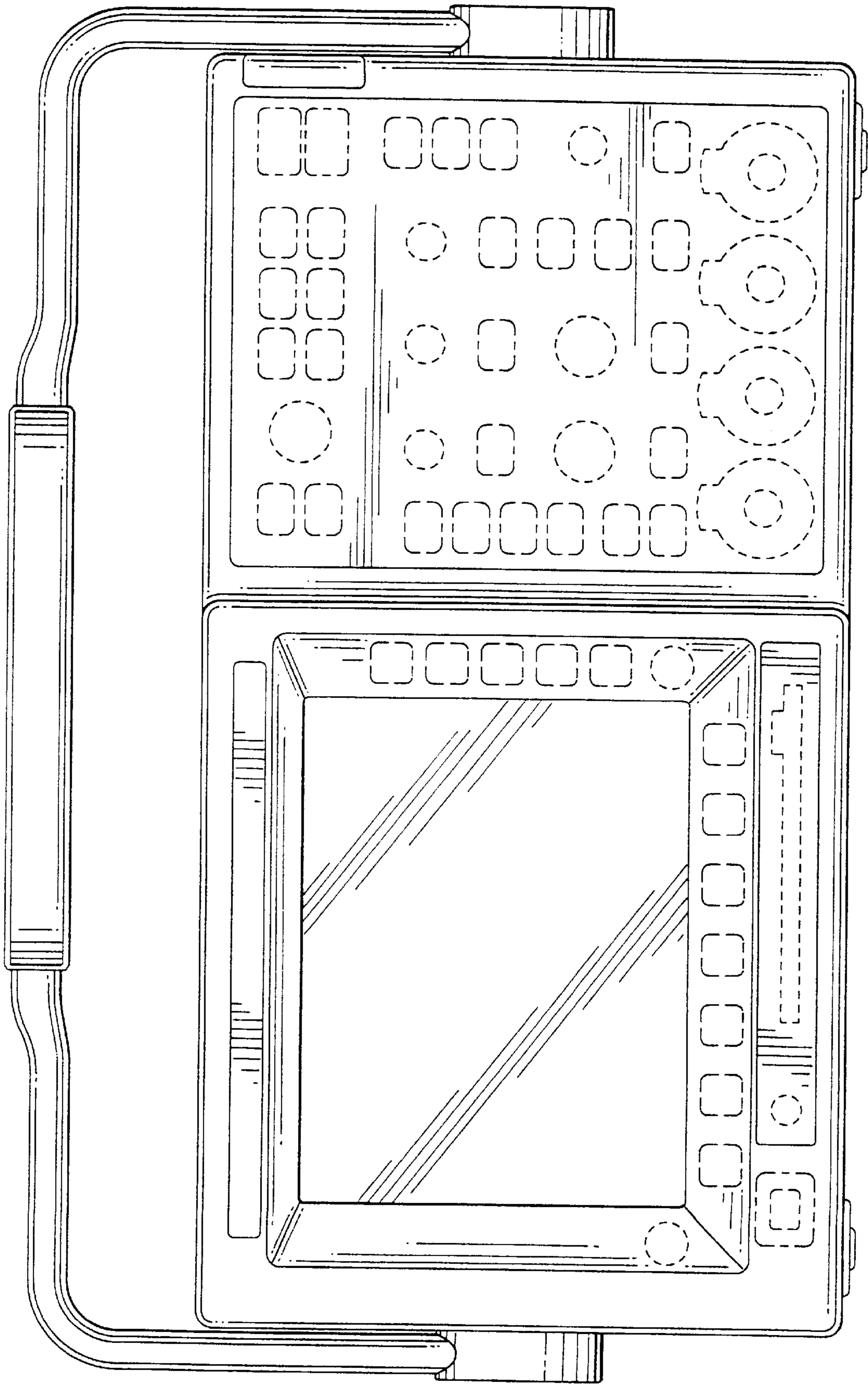


FIG.2

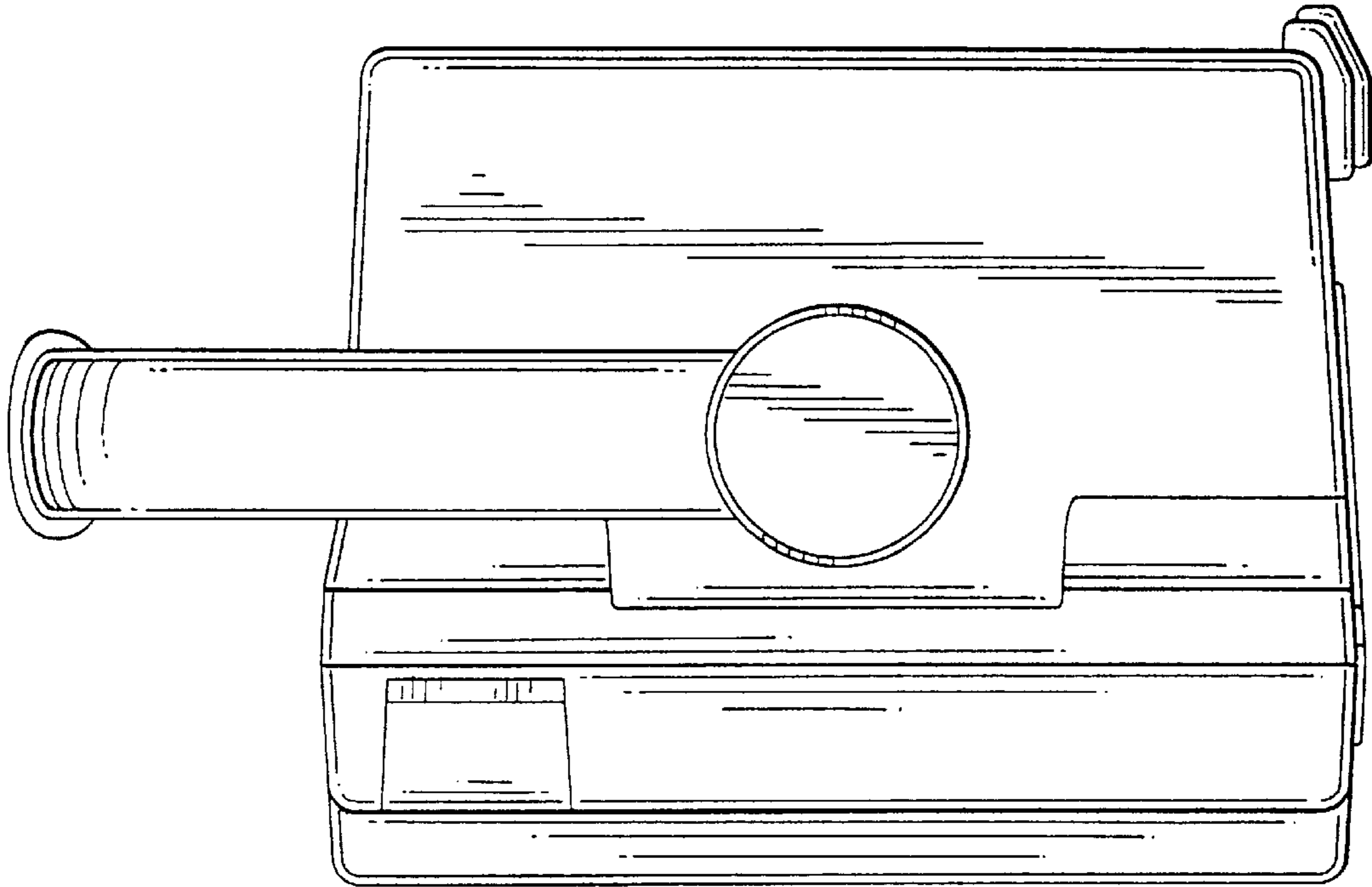


FIG. 4

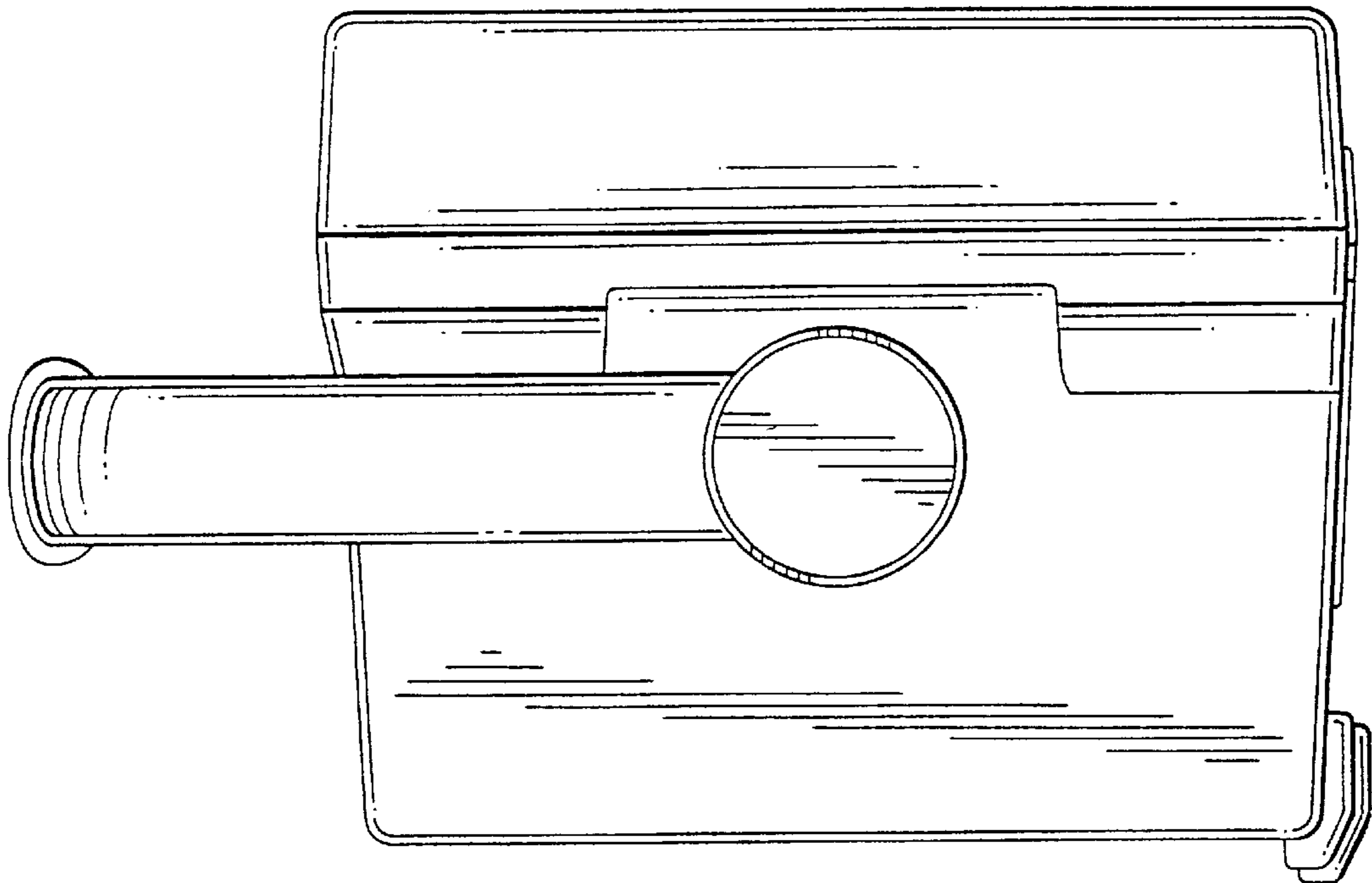


FIG. 3

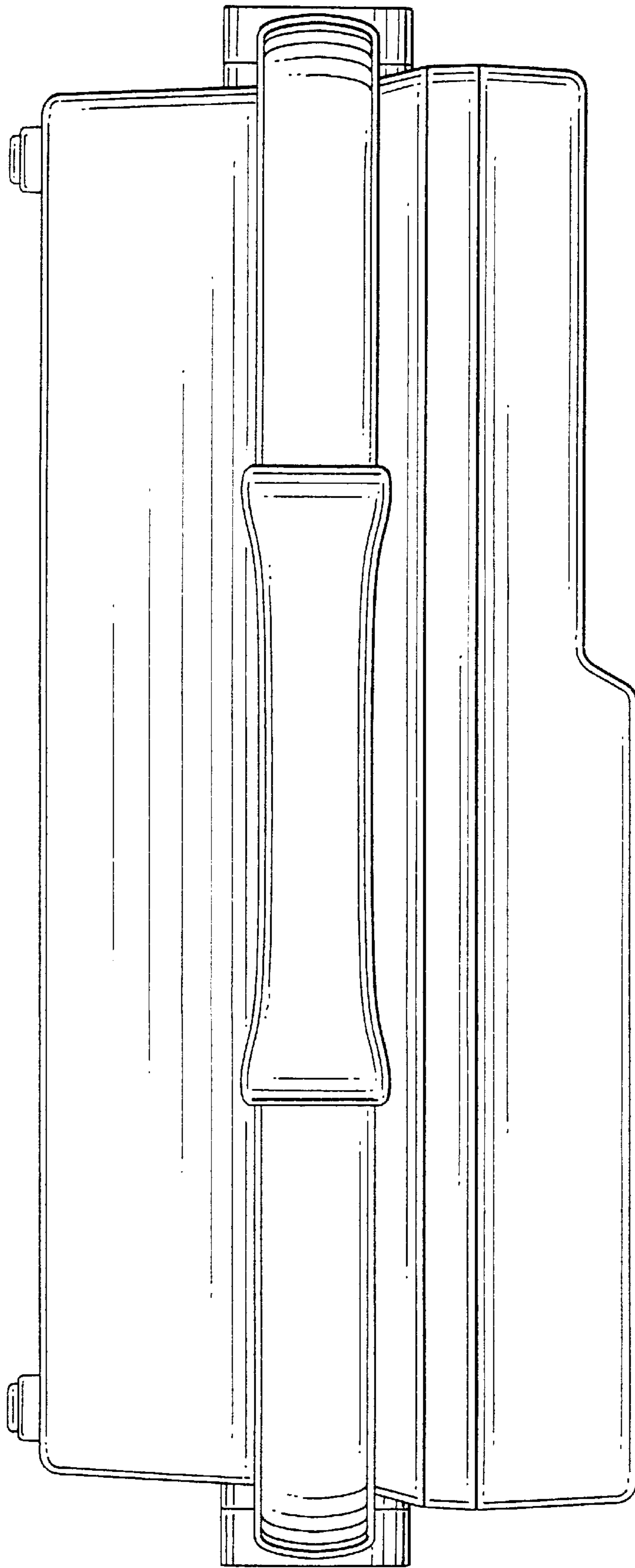


FIG.5

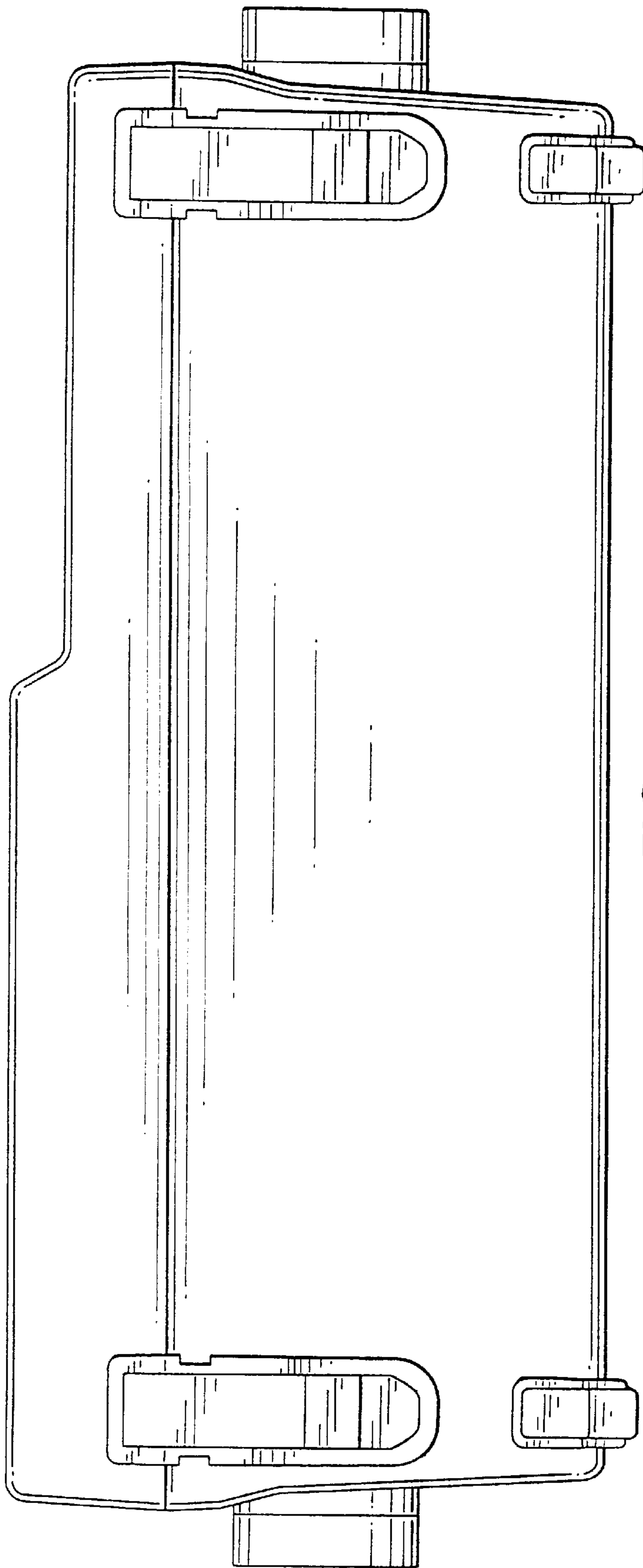


FIG. 6

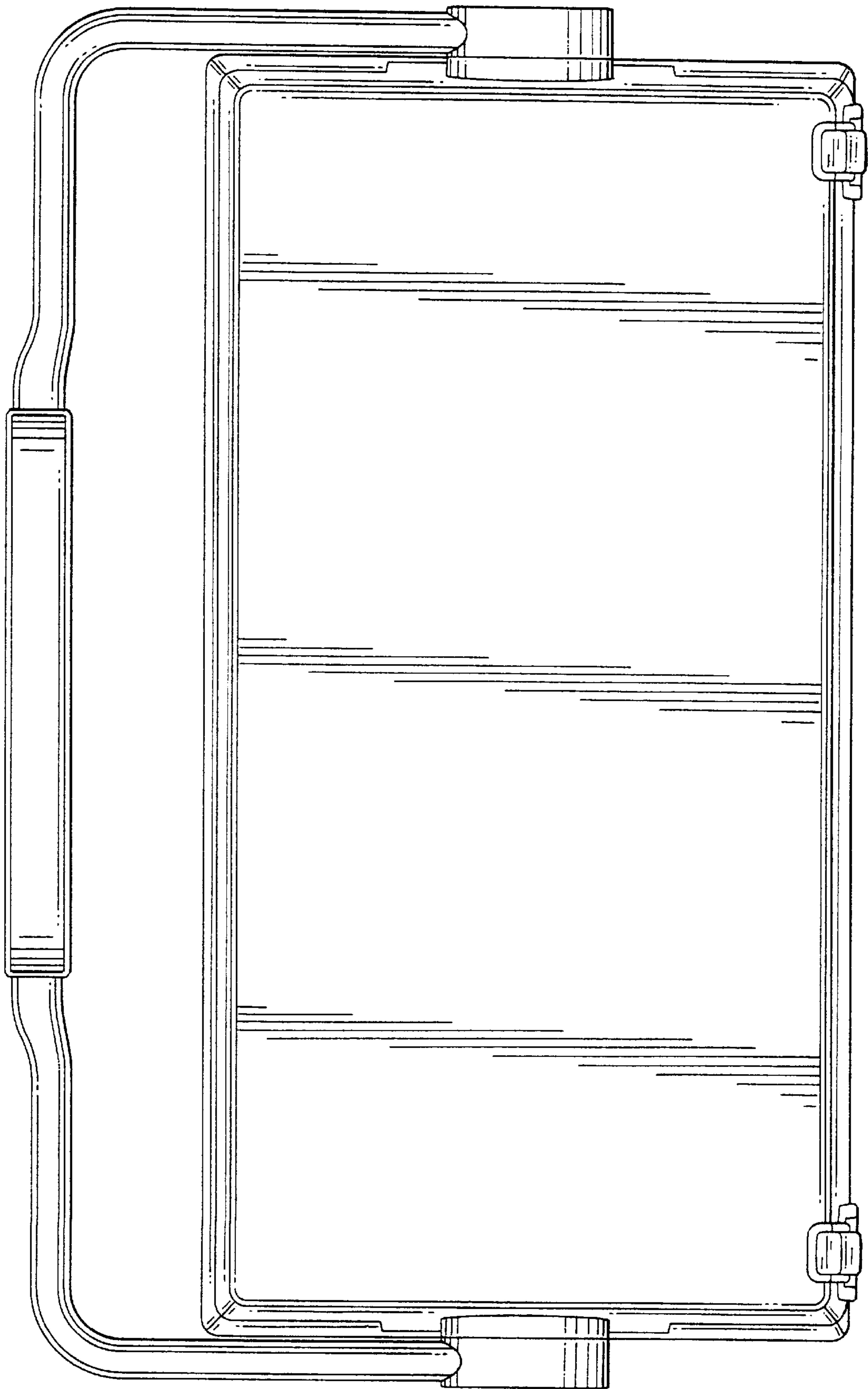


FIG.7

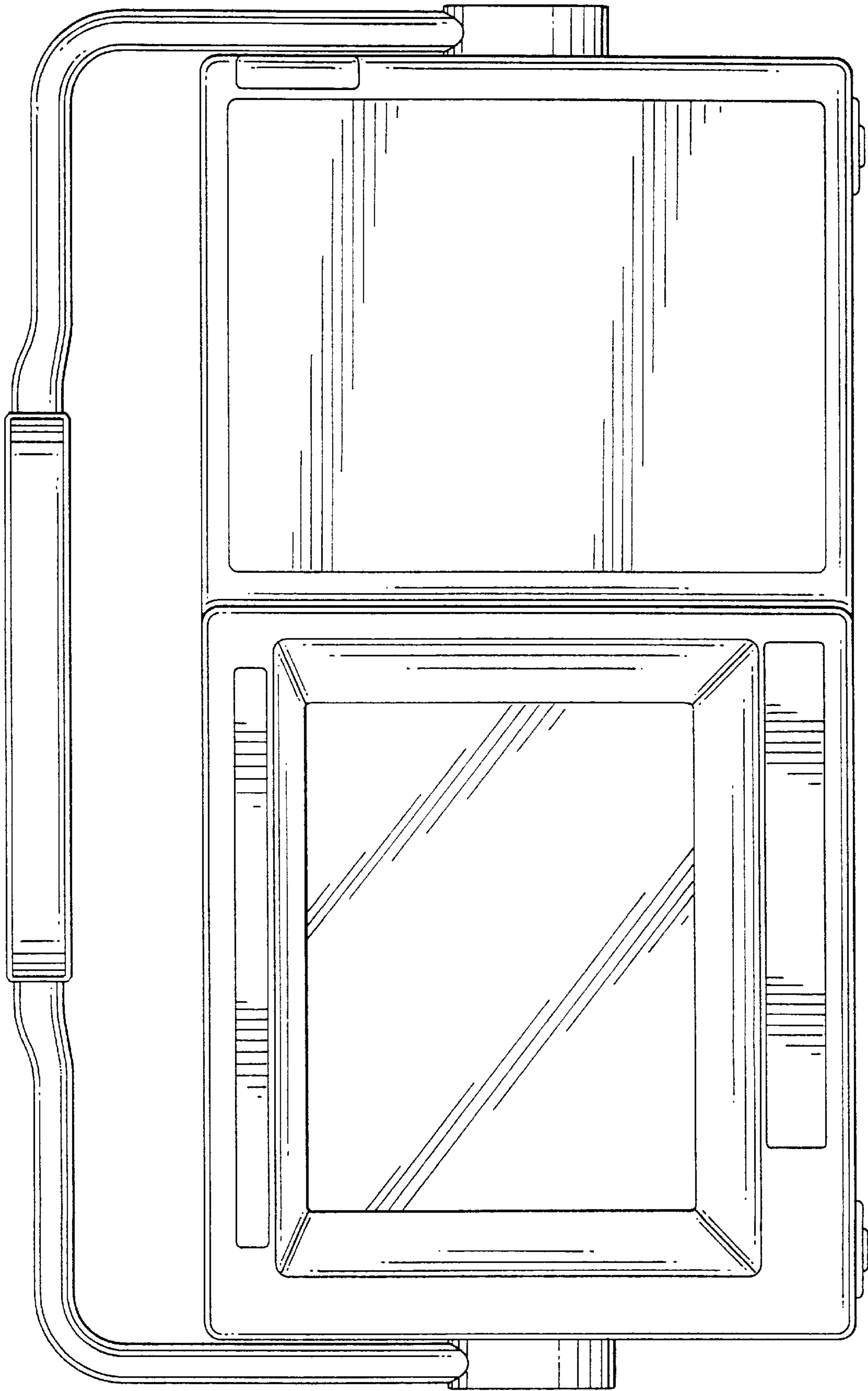


FIG.8