



US00D413817S

United States Patent [19]

Ando et al.

[11] Patent Number: **Des. 413,817**

[45] Date of Patent: **** Sep. 14, 1999**

[54] **WATCH CASE WITH GLOBAL POSITIONING SYSTEM**

[75] Inventors: **Toshiya Ando**, Higashikurume; **Shoichi Sugita**, Wako, both of Japan; **Dick Powell**, Loxwood; **Akio Shindate**, London, both of United Kingdom

D. 303,093	8/1989	Houlihan	D10/38
D. 315,512	3/1991	Houlihan	D10/30
D. 345,736	4/1994	Scheid	D14/191
D. 354,240	1/1995	Hanagata	D10/39
D. 357,197	4/1995	Suzuki	D10/65
D. 358,997	6/1995	Yamamoto	D10/31
D. 365,550	12/1995	Houlihan	D14/114
D. 370,855	6/1996	Hanagata	D10/31
D. 383,400	9/1997	Wada	D10/65

[73] Assignee: **Casio Keisanki Kabushiki Kaisha**, Tokyo, Japan

[**] Term: **14 Years**

Primary Examiner—Nelson C. Holtje
Attorney, Agent, or Firm—Frishauf, Holtz, Goodman, Langer & Chick,P.C.

[21] Appl. No.: **29/100,076**

[57] CLAIM

[22] Filed: **Feb. 3, 1999**

The ornamental design for watch case with global positioning system, as shown and described.

[30] Foreign Application Priority Data

Dec. 18, 1998 [GB] United Kingdom 2079922

DESCRIPTION

[51] **LOC (6) Cl.** **10-02**

[52] **U.S. Cl.** **D10/31; D10/38**

[58] **Field of Search** D10/1-40, 122-132;
368/280-282, 276-277, 28-30, 285, 239-242,
82-84, 41-44

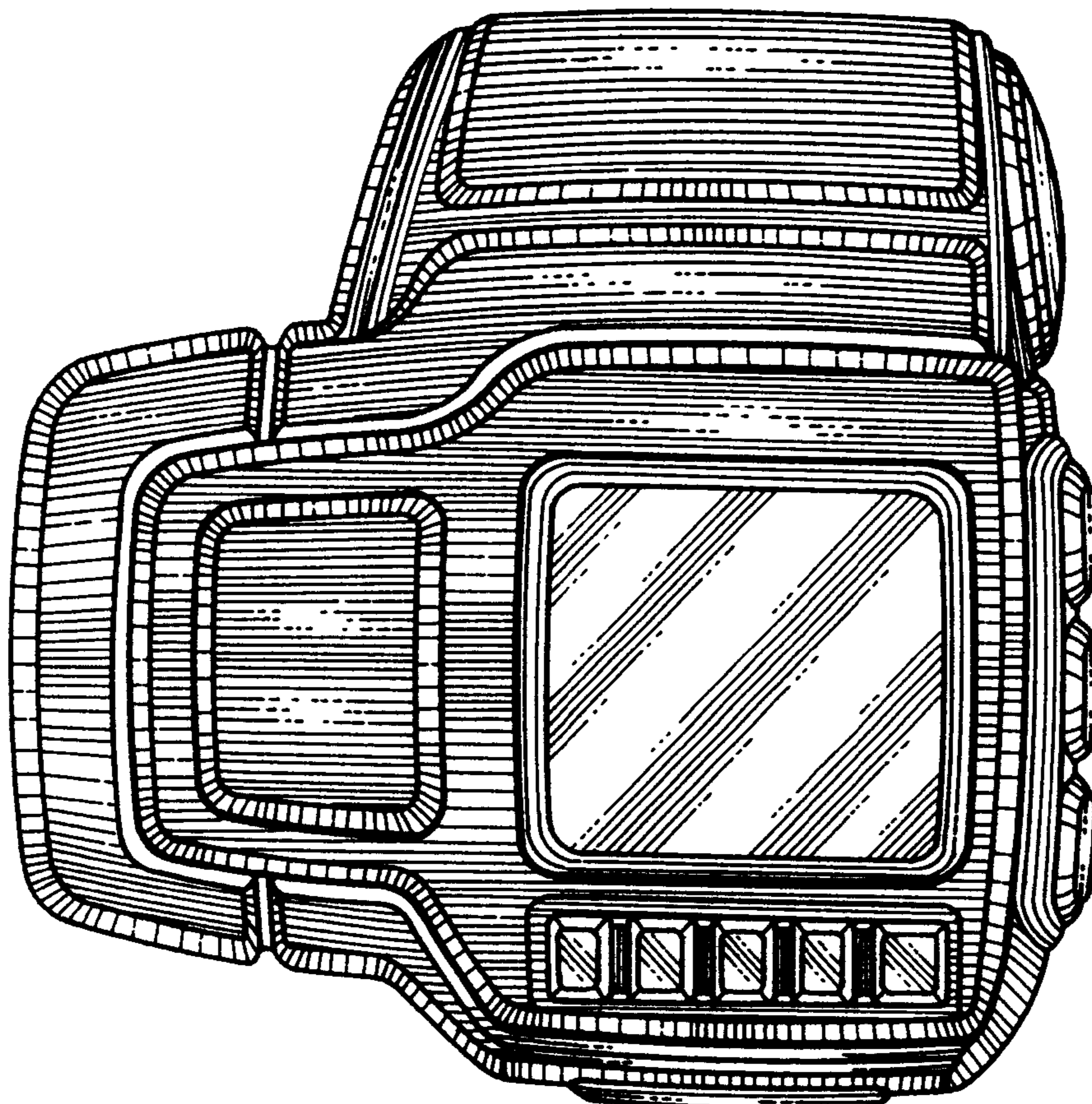
FIG. 1 is a front elevational view of watch case with global positioning system showing our new design;
FIG. 2 is a right side elevational view thereof;
FIG. 3 is a left side elevational view thereof;
FIG. 4 is a top plan view thereof;
FIG. 5 is a bottom plan view thereof;
FIG. 6 is a rear elevational view thereof; and,
FIG. 7 is a perspective view thereof.

[56] References Cited

U.S. PATENT DOCUMENTS

D. 303,092 8/1989 Wakamatsu D10/31

1 Claim, 2 Drawing Sheets



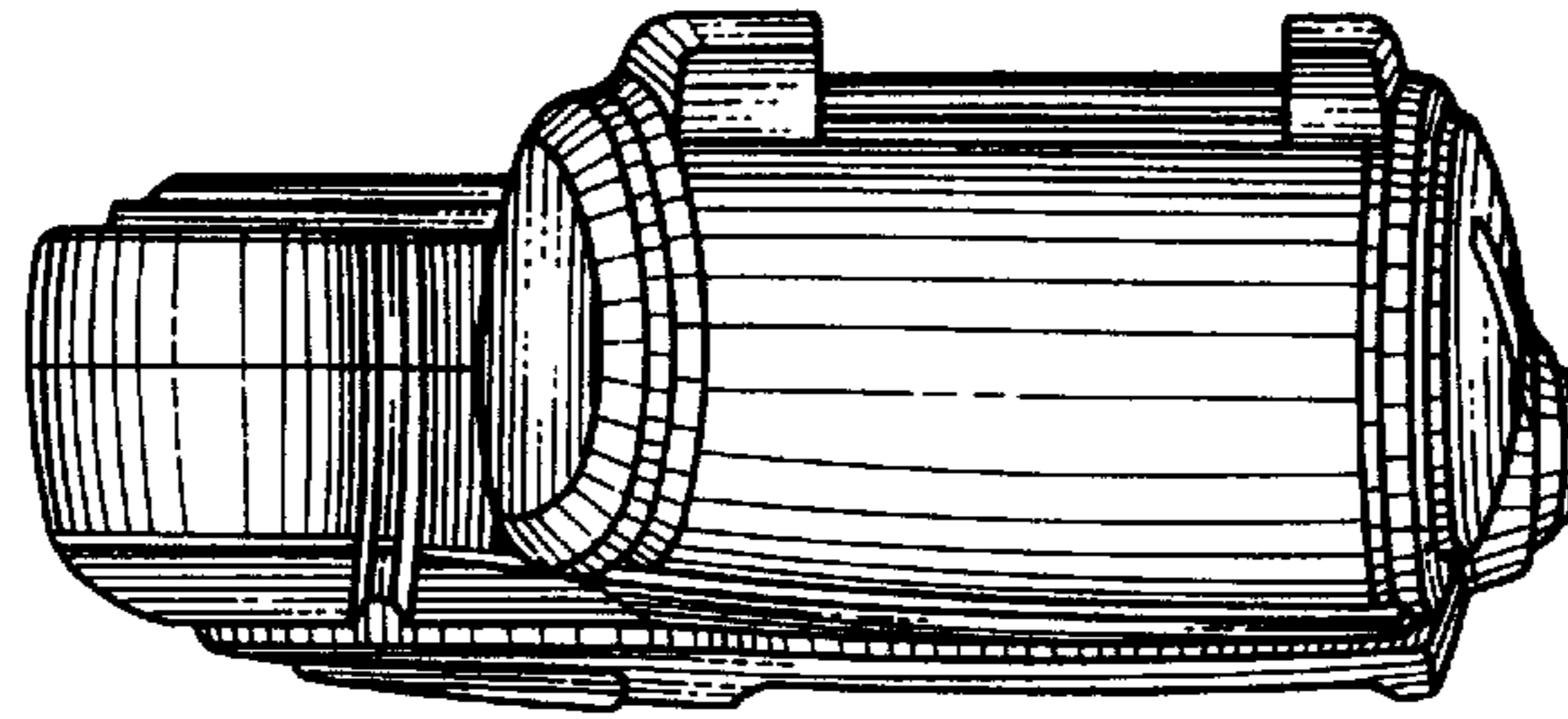


FIG. 4

FIG. 3

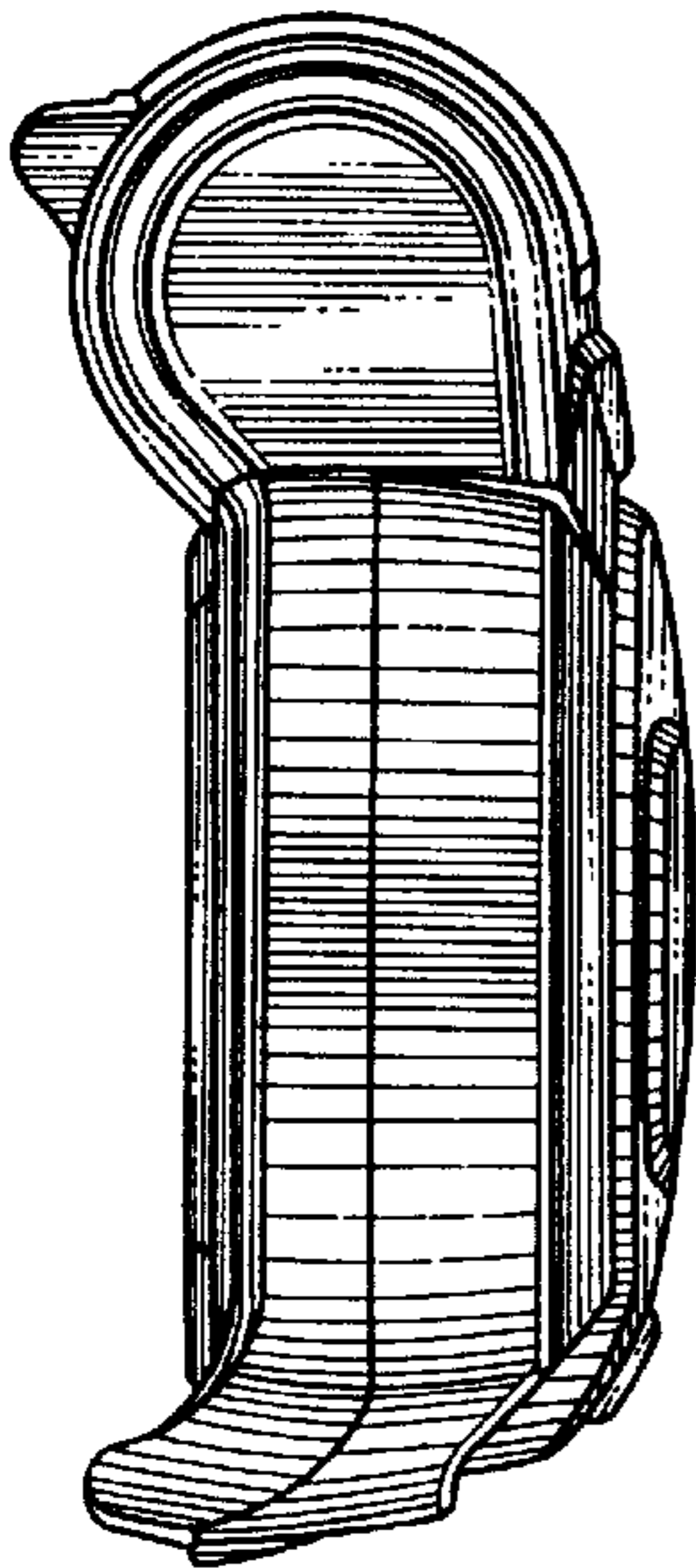


FIG. 1

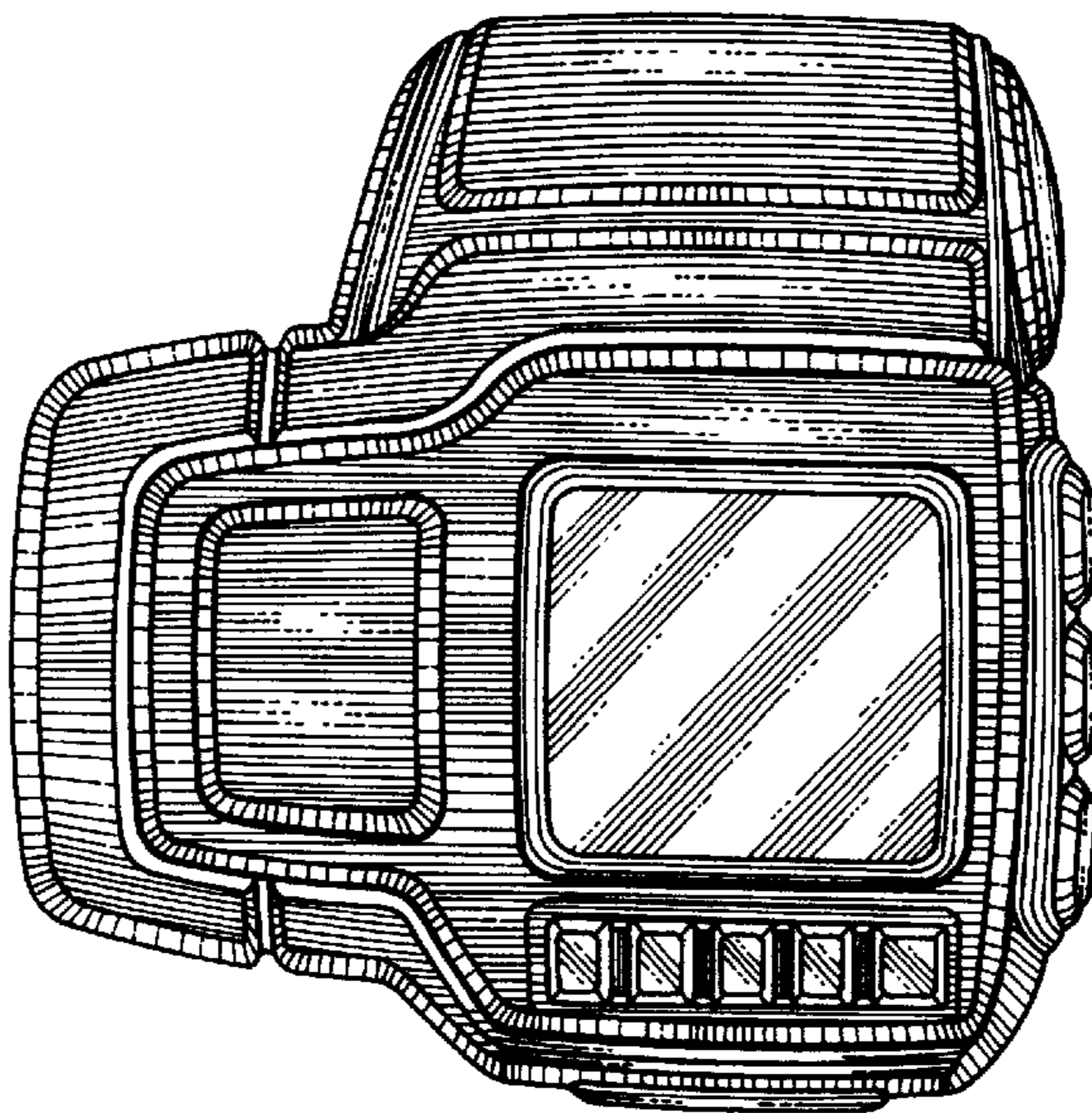


FIG. 2

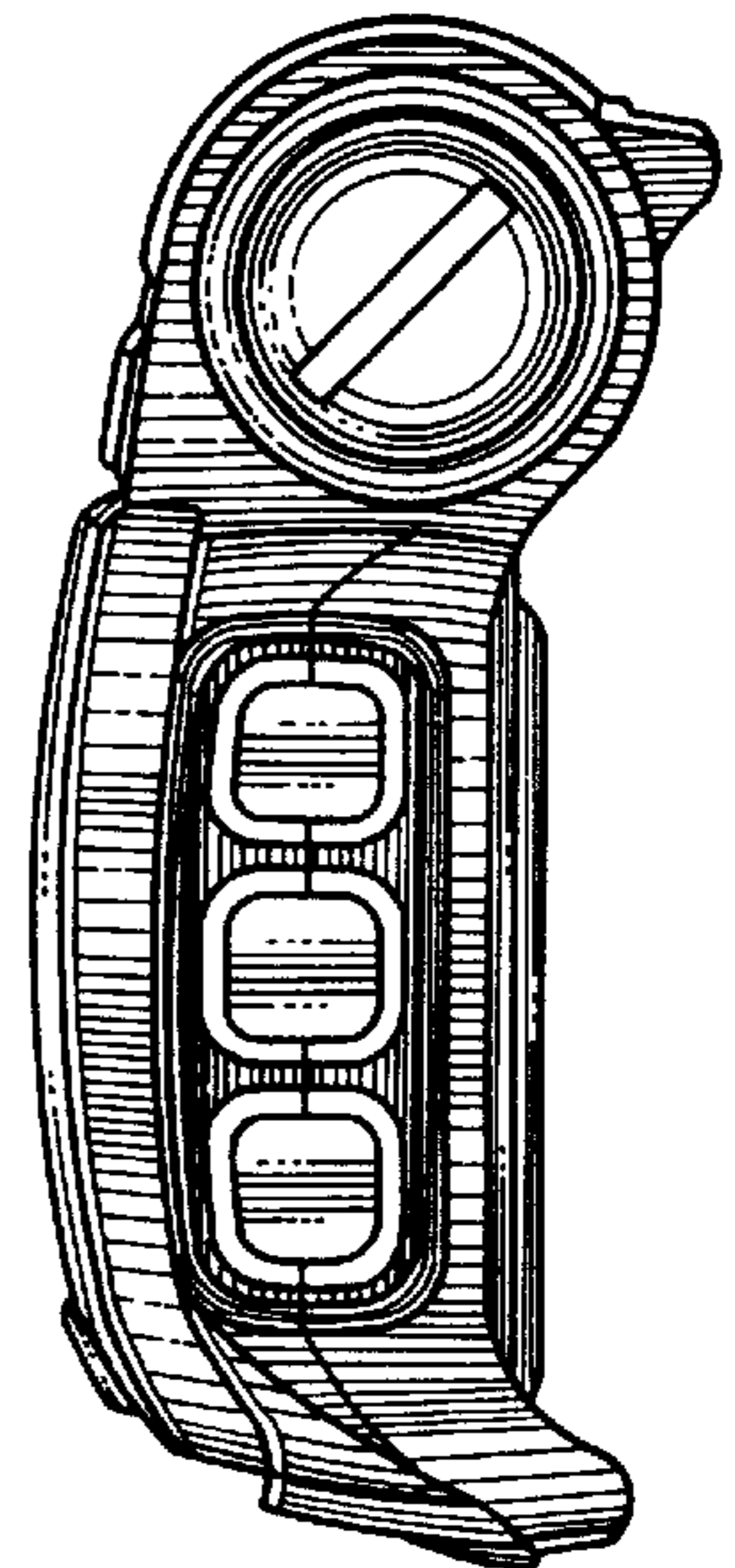
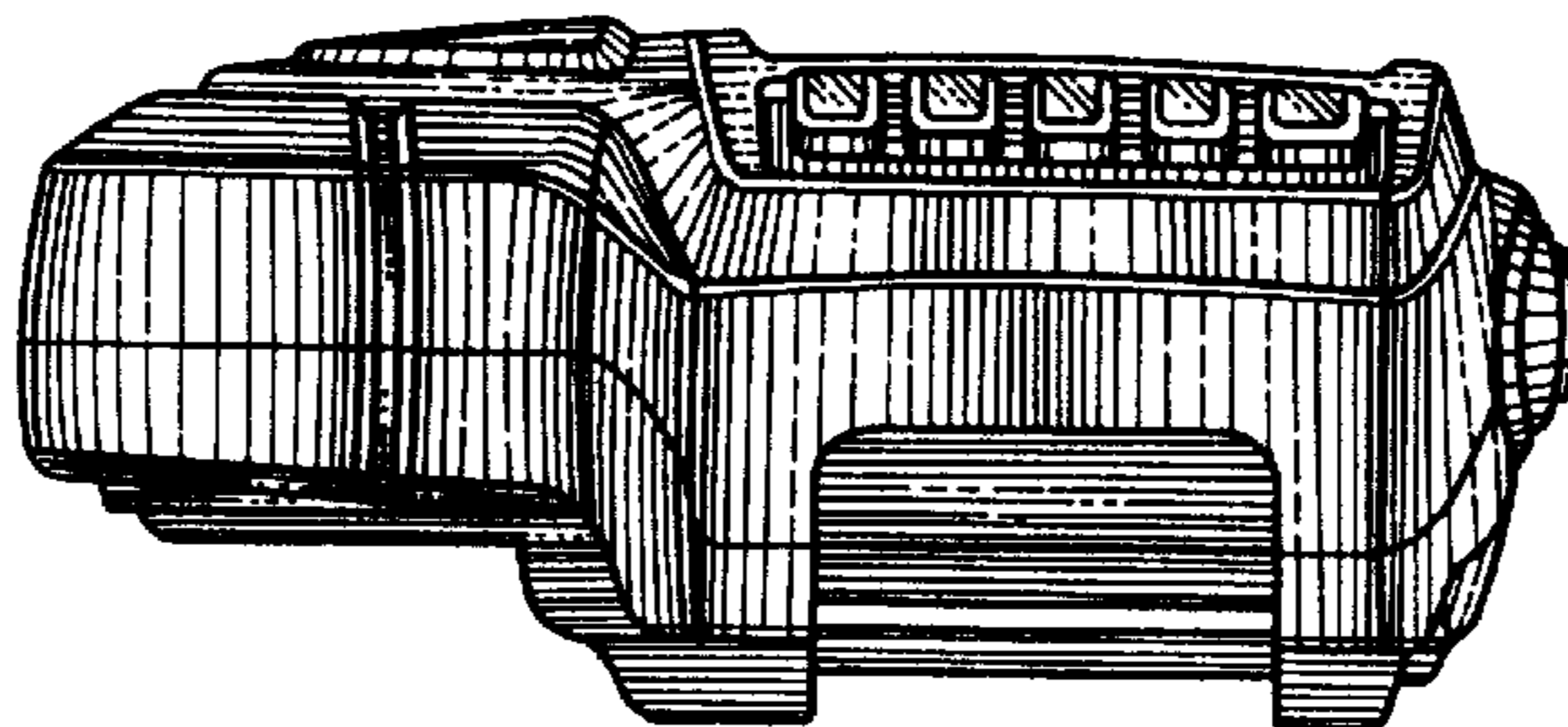


FIG. 5



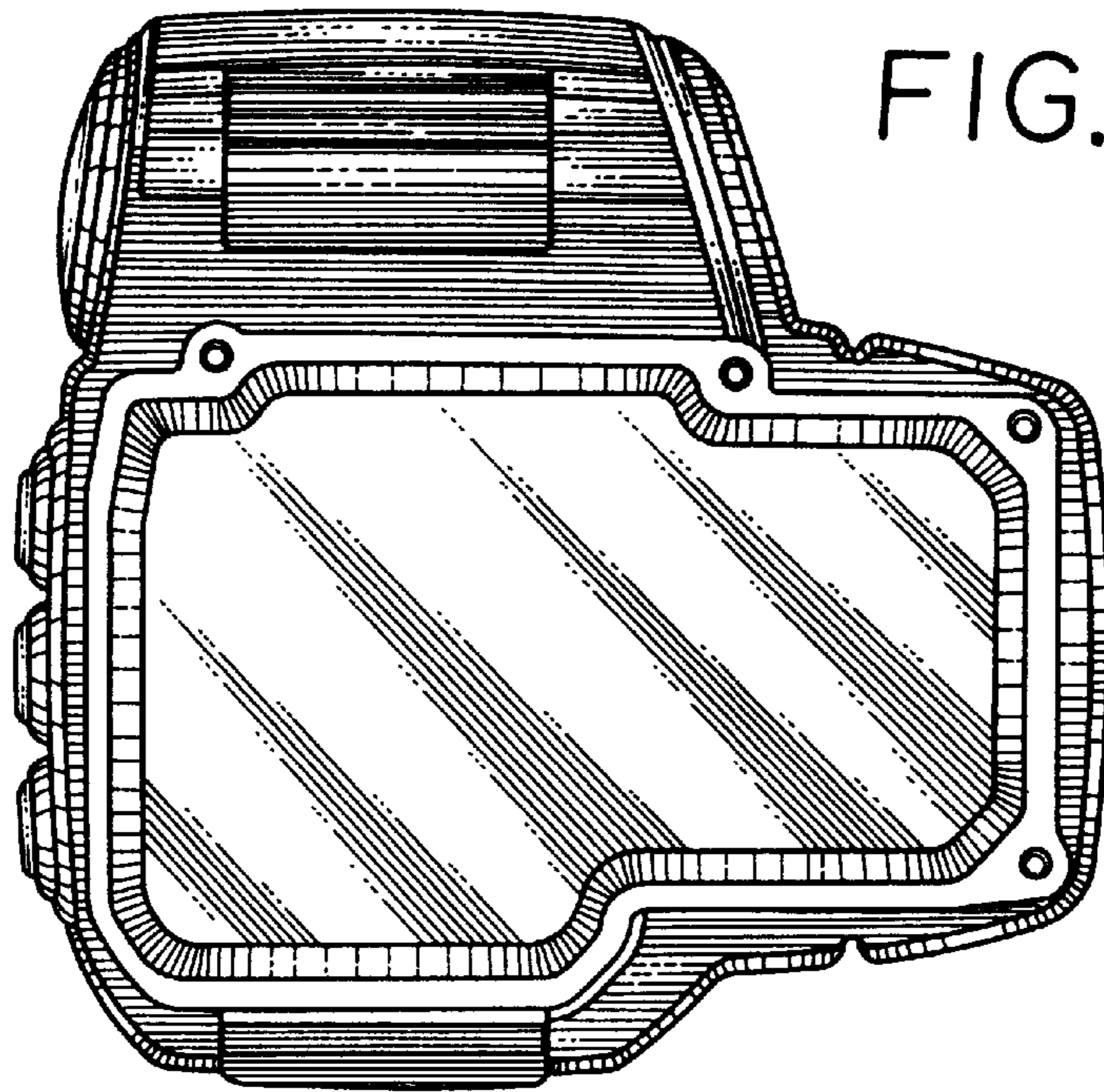


FIG. 6

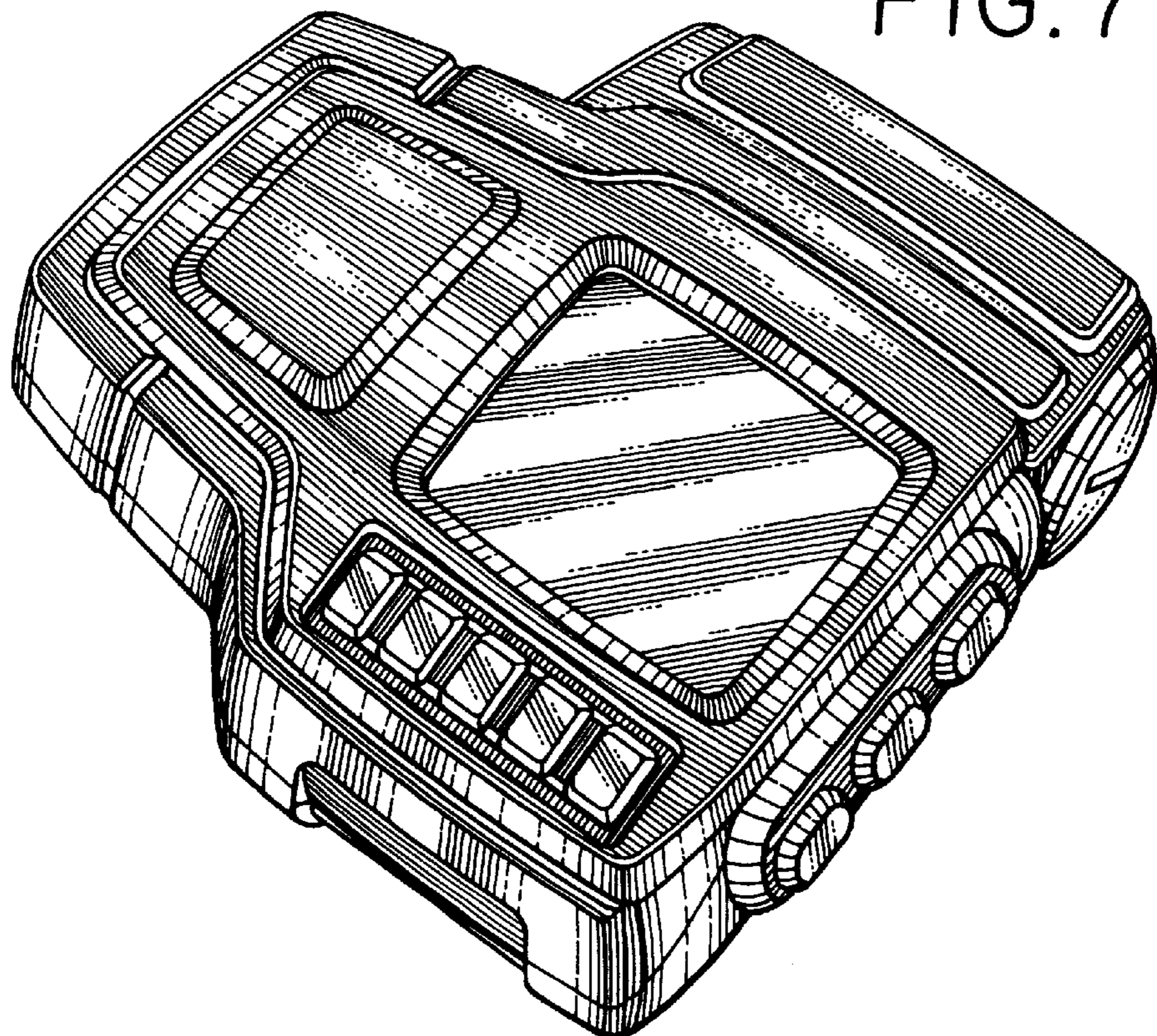


FIG. 7