



US00D413814S

United States Patent [19] Hargrove, III

[11] **Patent Number: Des. 413,814**

[45] **Date of Patent: ** Sep. 14, 1999**

[54] **CLOCK**

D. 315,510 3/1991 Odaka D10/24
D. 393,806 4/1998 Yoshida D10/28

[75] Inventor: **Walter Edward Hargrove, III**, Athens, Ga.

Primary Examiner—Nelson C. Holtje
Attorney, Agent, or Firm—Jones, Day, Reavis & Pogue

[73] Assignee: **GTC Properties, Inc.**, Wilmington, Del.

[57] **CLAIM**

[**] Term: **14 Years**

The ornamental design for a clock, as shown and described.

[21] Appl. No.: **29/093,870**

DESCRIPTION

[22] Filed: **Sep. 21, 1998**

FIG. 1 is a perspective view of the clock of the present invention;

[51] **LOC (6) Cl.** **10-01**

FIG. 2 is a front elevational view of the clock of FIG. 1;

[52] **U.S. Cl.** **D10/22**

FIG. 3 is a top plan view of the clock of FIG. 1;

[58] **Field of Search** D10/1-40, 122-132;
368/276-277, 285, 316-317

FIG. 4 is a back elevational view of the clock of FIG. 1; and,
FIG. 5 is a right side elevational view of the clock of FIG. 1, the left side view being a mirror image thereof.

[56] **References Cited**

The broken line showing of a "dial" in FIGS. 1, 2 and 3 is for environmental purposes only and forms no part of the claimed design.

U.S. PATENT DOCUMENTS

D. 174,379 4/1955 Engel D10/22
D. 252,073 6/1979 Cook et al. D10/9

1 Claim, 3 Drawing Sheets

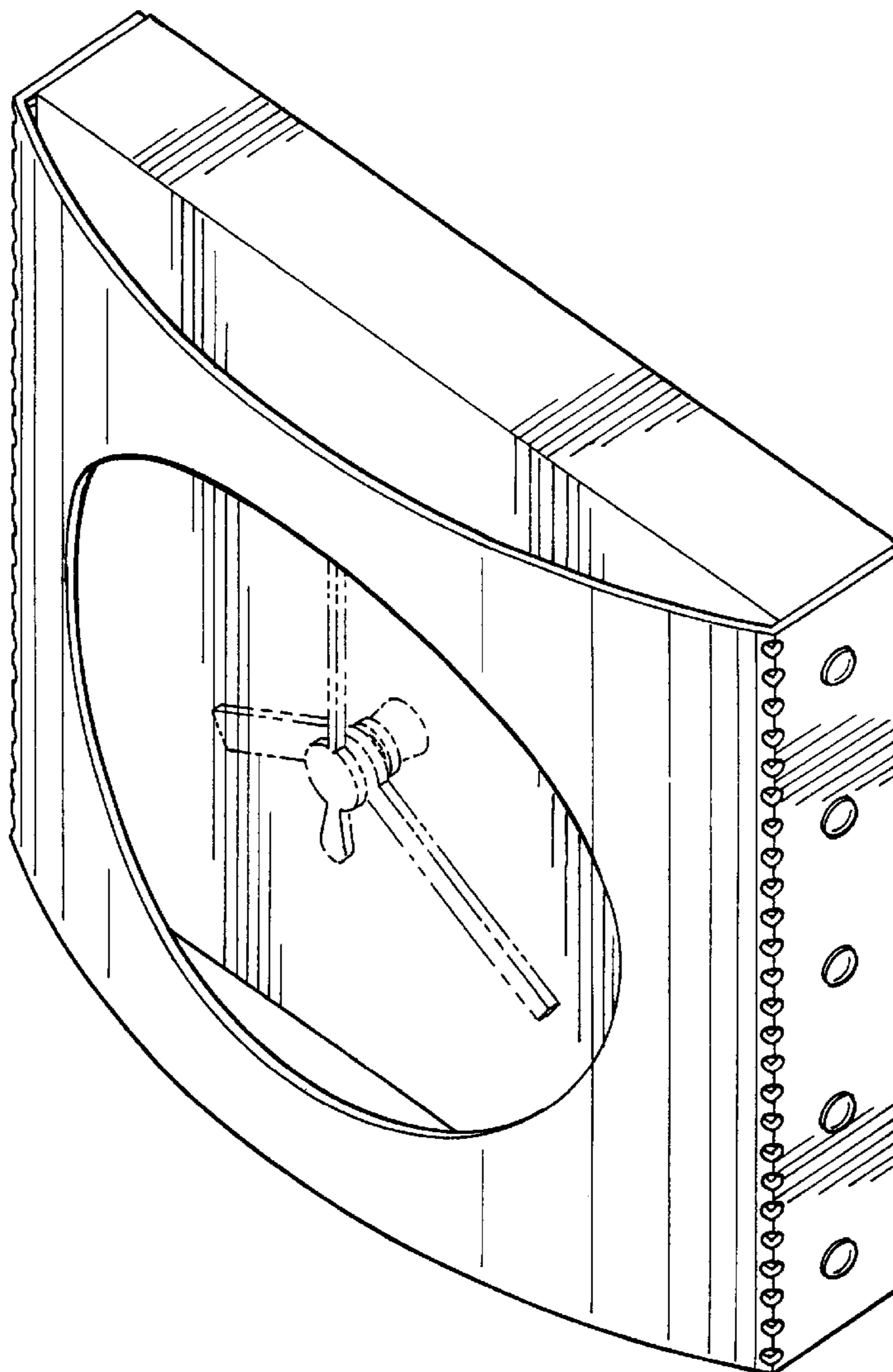


FIG. 1

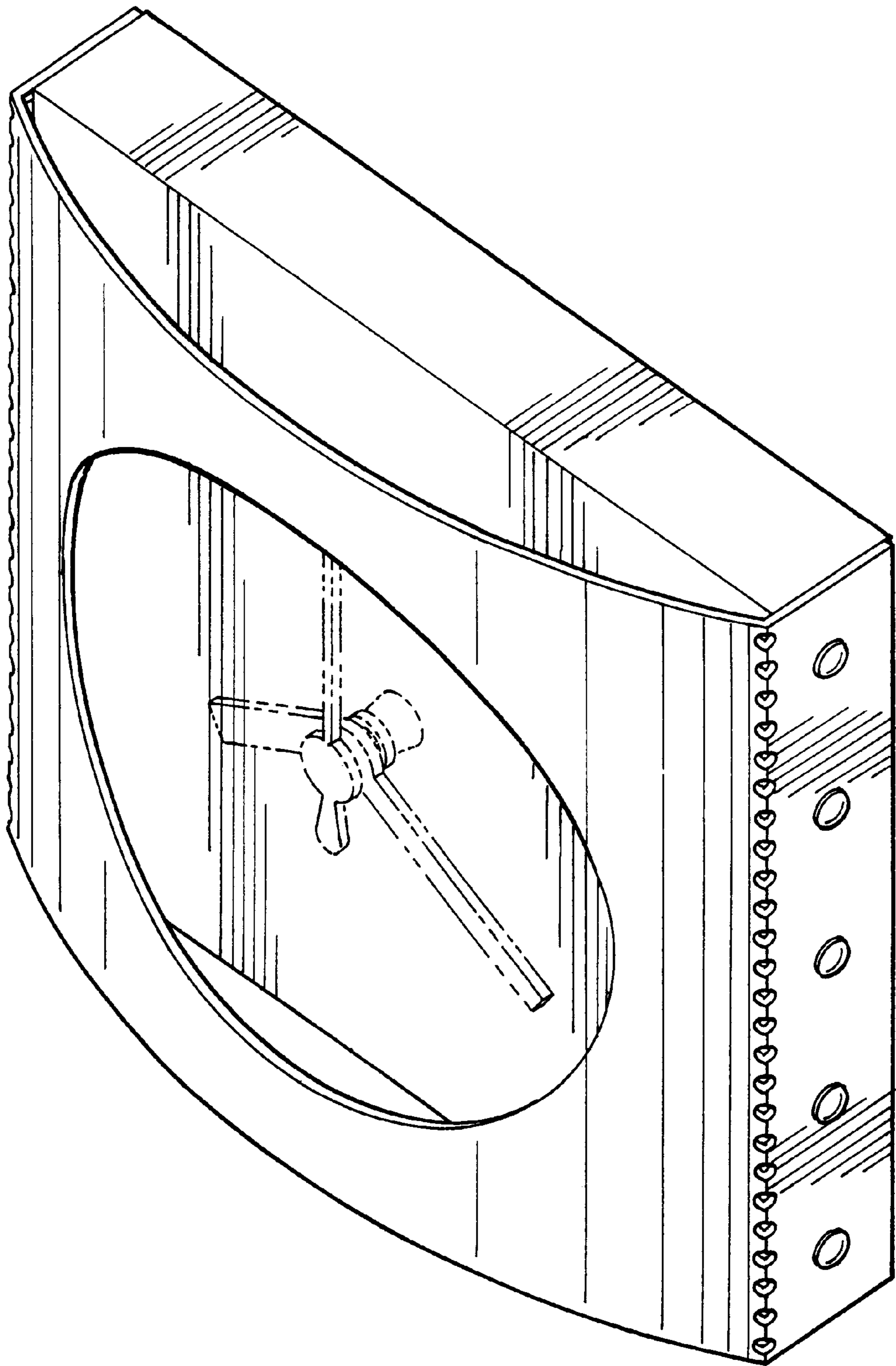


FIG.2

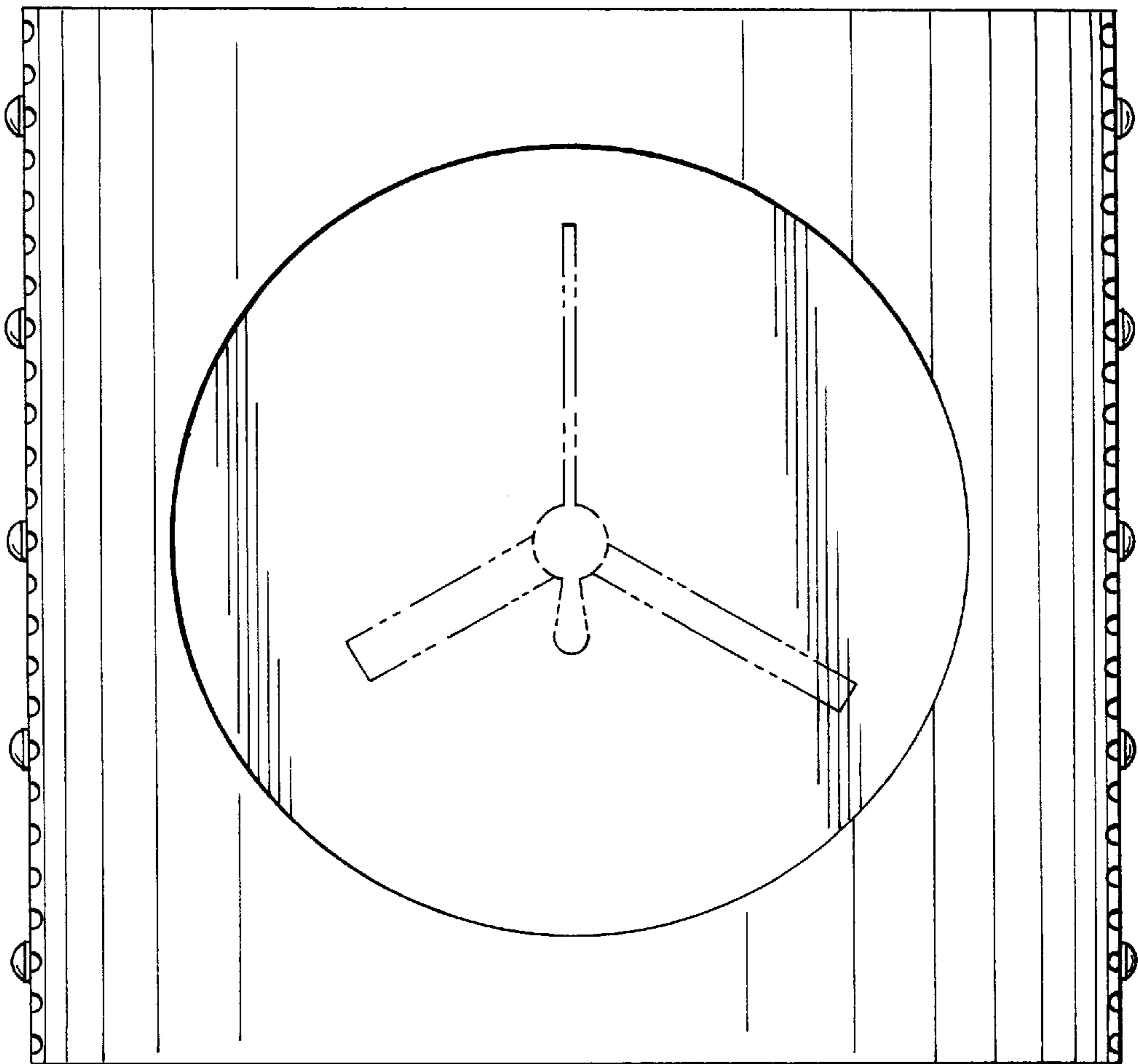


FIG. 3

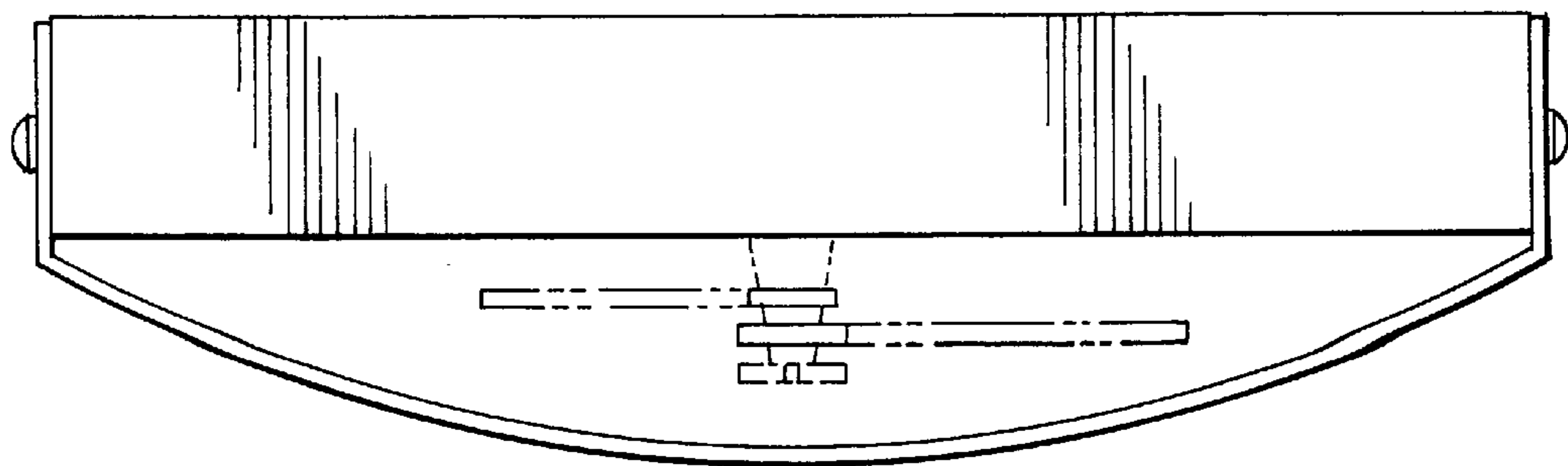


FIG.5

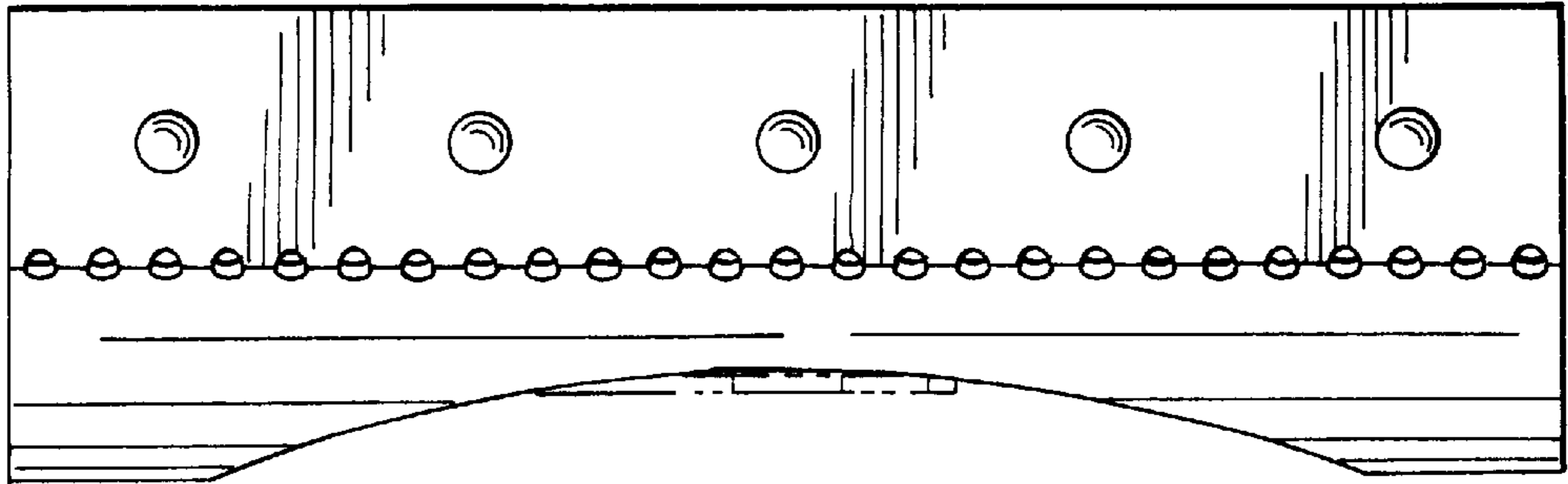


FIG.4

